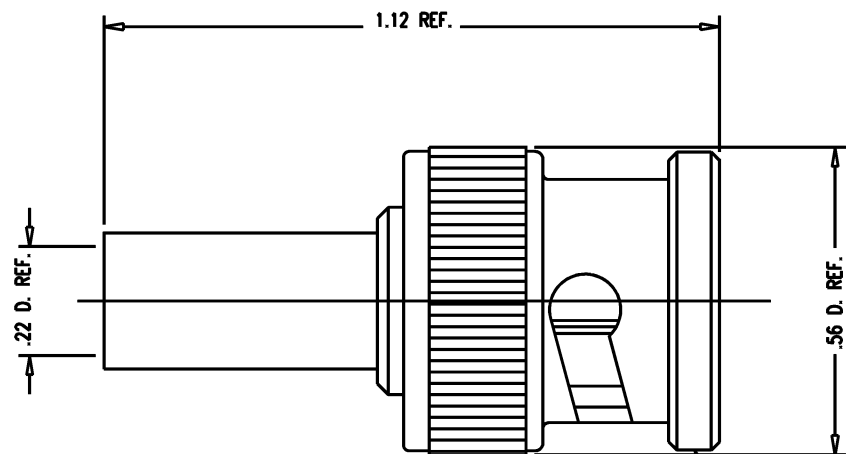


DASH NO.	M CODE	MADE FROM
----------	--------	-----------

GSD

755-112-9



STAMP: KINGS 755-112-9
YRWK (DATE CODE)

NOTES:

- FOR USE WITH RG-142, 223 AND 400/U CABLE GROUPS.
- FOR CABLING INSTRUCTIONS SEE CP-465.
- FOR CRIMPING USE DIE KTH-2001.
- INTERFACE PER MIL-STD-348, FIG. 301-1.
- CENTER CONTACT TO BE SUPPLIED UNASSEMBLED.
- MATERIALS:
INSULATOR: TEFLON, ASTM-D4894
GASKET: SILICONE RUBBER, A-A-59588
SPRING WASHER: BER. COP. ASTM-B-196
OUTER CONTACT: BER. COP. ASTM-B-196
CRIMP SLEEVE: COMM. BRONZE, ASTM-B16, H02
ALL OTHER METAL PARTS: BRASS, ASTM-B36
- FINISHES:
CENTER CONTACT: GOLD PLATE PER ASTM-B488
SPRING WASHER: SILVER PLATE PER ASTM-B700
ALL OTHER METAL PARTS: KINGS TANISH RESISTANT NICKEL FINISH (TR-5)
- ELECTRICAL CHARACTERISTICS:
NOMINAL IMPEDANCE: 50 OHM
FREQUENCY RANGE: DC TO 4 GHz
VOLTAGE RATING: 500 VOLTS RMS

REVISIONS	
ISSUE	CHANGES
0	ER 38828 HVN 4/24/3
1	CN 39212 E DCT 1/24/5
2	CN 39255 E HVN 04/05/05

SCALE	4:1		
APPROX SURFACE AREA	-		
USED ON			
REF:			
PLUG, BNC			
DRAWN	HVN	DATE	2/26/3
DESIGN	HVN	DATE	2/26/3
APPR.		DATE	

KINGS
ELECTRONICS CO., INC.
ROCK HILL, SOUTH CAROLINA 29730

755-112-9

GSD