

**SAI-6-F 5P PUR 20M****Weidmüller Interface GmbH & Co. KG**

Klingenbergstraße 26

D-32758 Detmold

Germany

www.weidmueller.com



M12 distributors are available in various versions. The 4, 6 or 8 M12 slots are in 4 or 5 pole design. The group outlet is designed as a fixed cable version, hood version for connection by the user, or with M23. Special versions are also available. For instance, there are 1-to-1 distributors for use with any connection types, or distributors approved for Ex Zone 1.

**General ordering data**

Version	Fixed cable version, M12, 30 V, A-coded, LED: Yes, LED initiator: Yes, Wiring type: PNP, Cable length: 20 m
Order No.	<a href="#">9456650000</a>
Type	SAI-6-F 5P PUR 20M
GTIN (EAN)	4008190304645
Qty.	1 pc(s).

Creation date December 1, 2023 4:40:17 PM CET

Catalogue status 24.11.2023 / We reserve the right to make technical changes.

## SAI-6-F 5P PUR 20M

Weidmüller Interface GmbH &amp; Co. KG

Klingenbergstraße 26

D-32758 Detmold

Germany

www.weidmueller.com

## Technical data

## Dimensions and weights

Depth	127 mm	Depth (inches)	5 inch
Height	25 mm	Height (inches)	0.984 inch
Width	60 mm	Width (inches)	2.362 inch
Net weight	2,401 g		

## Temperatures

Operating temperature	-20 - 80°C
-----------------------	------------

## Connection data

Sheathing stripping length	100 mm	Distributor outlet	Fixed cable version
----------------------------	--------	--------------------	---------------------

## Electrical data

Rated voltage, min.	10 V	Rated voltage, max.	30 V
Test voltage	1 kV	Max. current-carrying capacity per slot	4 A
Total current	9 A	Current per signal	2 A
Electrical isolation available	No	Insulation strength	10 <sup>9</sup> Ω

## General technical data

Plug-in station coding	A-coded	Protection degree	IP68
Number of poles	5	Number of contact sockets	6
Connection thread	M12	Pollution severity	3
Fire behaviour	V-0	Plugging cycles	≤ 50
LED	Yes	LED initiator	Yes
LED colour for indicating operation	green	LED colour for I/O function	yellow

## Material data

Housing main material	Pocan	Material of distributor	Plastic
Housing colour	grey, RAL 7032	Hood sealing material	Viton
Screw socket	Nickel-plated CuZn	Contact material	CuZn
Contact surface	Gold-plated	Contact carrier material	PBT (UL 94 V0)

## Technical data cable

Bending cycles	2 Mio	Bending radius, min., moving	10 x cable diameter
Colour coding	blue, brown, Green/yellow, white, green, yellow, grey, pink, red, grey / pink, red / blue, white / green, brown / green, white / yellow, Yellow / brown	Halogen	No
Number of poles	5	O.D.	8.8 mm
Sheath material	PUR	Sheathing colour	black
Shielded	No	Wire cross section (Print/Online)	12 x 0.34 mm <sup>2</sup> + 3 x 1.0 mm <sup>2</sup>
Cable length	20 m	Suitable for cable carriers	Yes

**SAI-6-F 5P PUR 20M**

**Weidmüller Interface GmbH & Co. KG**  
 Klingenbergstraße 26  
 D-32758 Detmold  
 Germany

[www.weidmueller.com](http://www.weidmueller.com)

**Technical data****Classifications**

ETIM 6.0	EC002585	ETIM 7.0	EC002585
ETIM 8.0	EC002585	ETIM 9.0	EC002585
ECLASS 9.0	27-44-01-08	ECLASS 9.1	27-44-01-08
ECLASS 10.0	27-44-01-08	ECLASS 11.0	27-44-01-08
ECLASS 12.0	27-44-01-08	ECLASS 13.0	27440108

**Approvals**

Approvals



ROHS	Conform
UL File Number Search	UL Website
Certificate No. (cURus)	E141197

**Downloads**

Engineering Data	<a href="#">CAD data – STEP</a>
Catalogues	<a href="#">Catalogues in PDF-format</a>
Brochures	<a href="#">FL FIELDWIRING EN</a> <a href="#">FL FIELDWIRING EN</a>

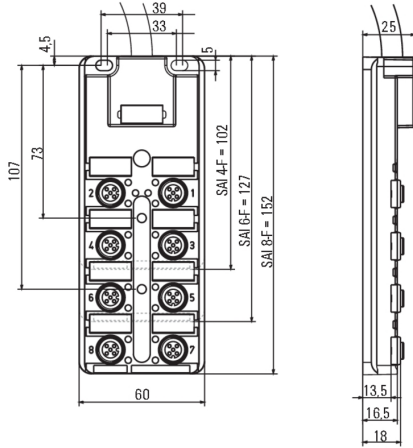
**SAI-6-F 5P PUR 20M**

**Weidmüller Interface GmbH & Co. KG**  
 Klingenbergstraße 26  
 D-32758 Detmold  
 Germany

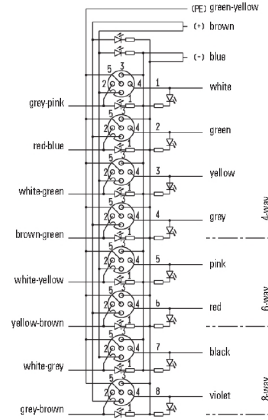
www.weidmueller.com

**Drawings**

**Dimensioned drawing**



**Wiring diagram**



**SAI-6-F 5P PUR 20M**

**Weidmüller Interface GmbH & Co. KG**  
 Klingenbergstraße 26  
 D-32758 Detmold  
 Germany

www.weidmueller.com

**Accessories**

**M12**



Protective caps protect unassigned plug-in stations against external influences.

**General ordering data**

Type	SAI-SK-M12	Version
Order No.	<a href="#">9456050000</a>	Protected component assemblies, Protective cap
GTIN (EAN)	4008190304058	
Qty.	30 pc(s).	

**Blank**



ESG is the tried-and-tested marker in MultiCard format for use on many well-known electrical devices. The result is high-quality device marking with a high-contrast appearance.

Various types are available for devices from manufacturers like Siemens, ABB, Beckhoff etc. Advantages at a glance:

- Tags for universal usage, self-adhesive or clip-on tags, depending on type
- For aligned equipment, e.g. circuit breakers, we supply ESG markers for clipping onto tag rails
- Individual laser-quality printing according to specifications

**For custom printing:** Please send us a file of our labeling software M-Print PRO or M-Print PRO Online (without installation) for your labeling specifications.

**General ordering data**

Type	ESG 9/20 MC NE WS	Version
Order No.	<a href="#">1609940000</a>	ESG, Device markers x 20 mm, PA 66, Colour: white, pluggable
GTIN (EAN)	4008190203528	
Qty.	200 pc(s).	

**SAI-6-F 5P PUR 20M**

**Weidmüller Interface GmbH & Co. KG**  
 Klingenbergstraße 26  
 D-32758 Detmold  
 Germany

www.weidmueller.com

**Accessories**

**Screwty® cable gland tool with torque function**



**The ideal tool for any application**

Screwty® is the ideal, all-purpose tool for tightening all common sensor and actuator cables. Even difficult-to-reach round plugs are accessible using the Screwty®. A simple turning movement tightens and loosens the connectors without the need for excessive force. The Screwty® is a unique and global solution since it fits with most cables and plugs from other vendors (over 90 %). The Screwty® consists of a handle with a conventional 1/4" adapter. Thus it can be used for all sizes: for M12 and M8 round plug-in connectors, and for M12F and M8F customisable plugs and sockets, as well as for all M23 plugs and sockets.

**General ordering data**

Type	SCREWTY SET -DM	Version
Order No.	<a href="#">1920000000</a>	Bolting tool
GTIN (EAN)	4032248436859	
Qty.	1 pc(s).	