

## D-SUB F6.3 T09HB 3.2B2 TY BK

**Weidmüller Interface GmbH & Co. KG**

Klingenbergstraße 26

D-32758 Detmold

Germany

www.weidmueller.com

### Product image



### The product range encompasses the following designs:

- 90°, lying (horizontal) and 180°, standing (vertical)
- Flange design as drilled hole, UNC 4-40 threaded nut and UNC 4-40 threaded bolt
- Stamped contacts (Rated current: 3 A)
- THT soldering process
- Wide range of different design types, also with snap-on clip
- Packed in tray (TY)
- Extended temperature range of  $-55\text{ °C}$  to  $+85\text{ °C}$  for maximum performance
- Design in accordance with IEC 60807-3 (IEC 807-3) and DIN 41652

### General ordering data

Version	OMNIMATE Data - D-SUB connector, female header, Thread-bolt UNC 4-40, Snap-on clip, THT solder connection, Pitch in mm (P): 2.77 mm, Number of poles: 9, $\geq 50\text{ }\mu\text{m}$ Ni / $\geq 1\text{ }\mu\text{m}$ Au, 500, PBT glass fibre reinforced UL 94 V-0, black, Tray (manual assembly)
Order No.	<a href="#">2626710000</a>
Type	D-SUB F6.3 T09HB 3.2B2 TY BK
GTIN (EAN)	4050118671353
Qty.	90 pc(s).
Packaging	Tray (manual assembly)

Creation date December 1, 2023 12:29:17 PM CET

**D-SUB F6.3 T09HB 3.2B2 TY BK****Weidmüller Interface GmbH & Co. KG**

Klingenbergstraße 26

D-32758 Detmold

Germany

www.weidmueller.com

**Technical data****Dimensions and weights**

Depth	20.6 mm	Depth (inches)	0.811 inch
Height	12.55 mm	Height (inches)	0.494 inch
Height of lowest version	12.55 mm	Width	30.81 mm
Width (inches)	1.213 inch	Net weight	9.478 g

**System specifications**

Model	Socket connector		
Mounting onto the PCB	THT solder connection		
Number of poles	9		
Outgoing elbow	90°		
Pitch in inches (P)	0.109 inch		
Pitch in mm (P)	2.77 mm		
Plugging cycles	500		
Product family	OMNIMATE Data - D-SUB connector		
Shield surface	tinned		
Shielding material	Steel		
Side termination, characteristic	Thread-bolt UNC 4-40, Snap-on clip		
Solder eyelet hole diameter (D)	1 mm		
Solder pin dimensions	Octagonal		
Solder pin length (l)	3.2 mm		
Solder pin length tolerance	Lower tolerance with prefix (reveals minimum)	-0,25	
	Upper tolerance with prefix (reveals maximum)	+0,25	
	Tolerance, unit	mm	
Solder pin length tolerance	+0,25 / -0,25 mm		
Soldering process	Manual soldering, Wave soldering		
Tolerance of solder pin position	± 0.1 mm		
Type of connection	Solder connection		

**Electrical properties**

Dielectric strength, contact / contact	1000 V AC	Rated current	3 A
Rated voltage	250 V	Volume resistance	≤20 mΩ

**Material data**

Insulating material	PBT glass fibre reinforced UL 94 V-0	Colour	black
Colour chart (similar)	RAL 9011	UL 94 flammability rating	V-0
Contact base material	Phosphorus bronze	Contact surface	Au (Gold)
Layer structure of solder connection	≥ 50 μ" Ni / ≥ 1 μ" Au	Layer structure of plug contact	≥ 50 μ" Ni / ≥ 1 μ" Au
Storage temperature, min.	-20 °C	Storage temperature, max.	85 °C
Operating temperature, min.	-55 °C	Operating temperature, max.	105 °C

**Packing**

Packaging	Tray (manual assembly)	VPE length	305 mm
VPE width	202 mm	VPE height	25 mm

**D-SUB F6.3 T09HB 3.2B2 TY BK**

**Weidmüller Interface GmbH & Co. KG**  
 Klingenbergstraße 26  
 D-32758 Detmold  
 Germany

[www.weidmueller.com](http://www.weidmueller.com)

**Technical data****Classifications**

ETIM 6.0	EC002637	ETIM 7.0	EC002637
ETIM 8.0	EC002637	ETIM 9.0	EC002637
ECLASS 9.0	27-44-04-02	ECLASS 9.1	27-44-04-02
ECLASS 10.0	27-44-04-02	ECLASS 11.0	27-46-02-01
ECLASS 12.0	27-46-02-01	ECLASS 13.0	27460201

**Environmental Product Compliance**

REACH SVHC Lead 7439-92-1

**Approvals**

Approvals



ROHS	Conform
UL File Number Search	UL Website
Certificate No. (UR)	E92202

**Downloads**

Engineering Data	<a href="#">CAD data – STEP</a>
Catalogues	<a href="#">Catalogues in PDF-format</a>

**Data sheet**

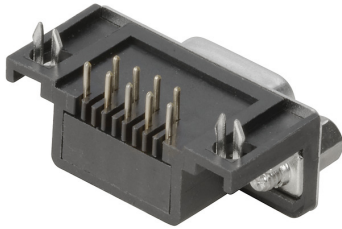
**D-SUB F6.3 T09HB 3.2B2 TY BK**

**Weidmüller Interface GmbH & Co. KG**  
Klingenbergstraße 26  
D-32758 Detmold  
Germany

[www.weidmueller.com](http://www.weidmueller.com)

**Drawings**

**Product image**



**D-SUB F6.3 T09HB 3.2B2 TY BK**

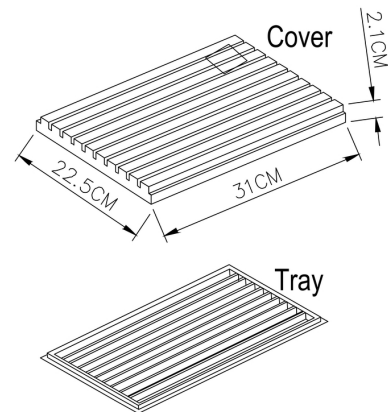
**Weidmüller Interface GmbH & Co. KG**  
 Klingenbergstraße 26  
 D-32758 Detmold  
 Germany

www.weidmueller.com

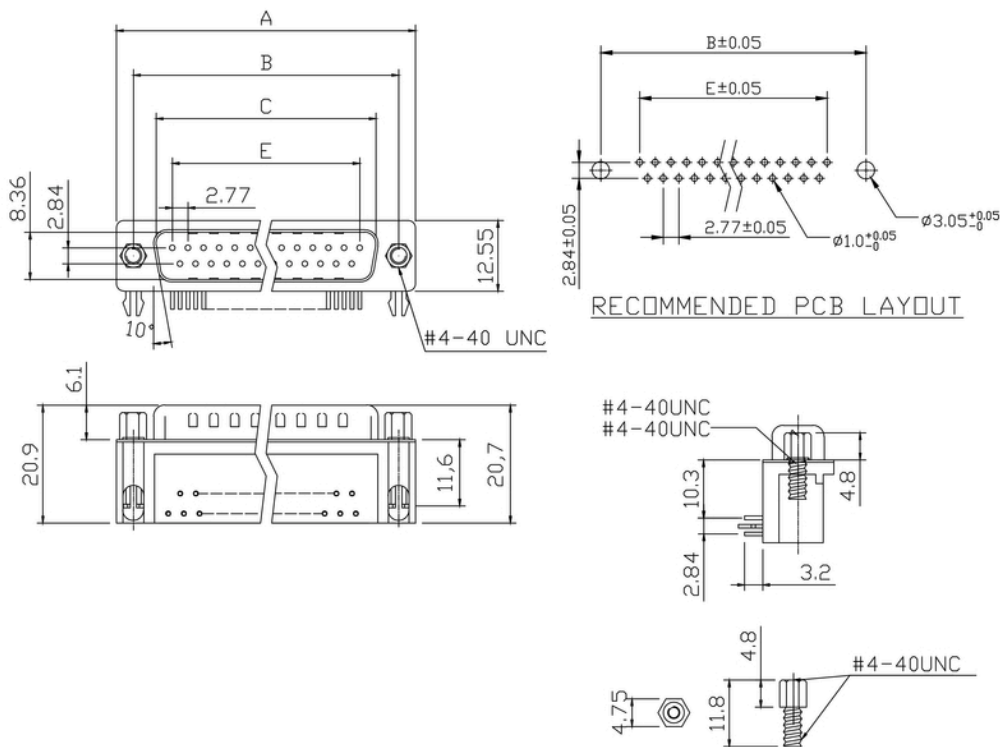
Drawings

Packaging drawing

Scale	Free
TOLERANCE	
X.	±0.38
X.X	±0.25
X.XX	±0.13
DIM	TOL
X.°	±3°
X.X°	±1.0°
Angle	TOL



Dimensional drawing



Dimensions				
Positions	A	B	C	E
9	30.81	24.99	16.92	11.08
15	39.20	33.30	25.25	19.39
25	53.05	47.04	38.96	33.24
37	69.40	63.50	55.42	49.86

Unit: mm

## Recommended wave soldering profiles

**Weidmüller Interface GmbH & Co. KG**  
 Klängenbergstraße 16  
 D-32758 Detmold  
 Germany  
 Fon: +49 5231 14-0  
 Fax: +49 5231 14-292083  
 www.weidmueller.com

### Single Wave:



### Double Wave:



### Wave soldering profiles

Wired connection elements should be processed in accordance with the DIN EN 61760-1 standard. We have included two recommendations for practical wave soldering profiles, with which Weidmüller PCB terminals and connectors are qualified.

When choosing a suitable profile for your application, the following factors also need to be considered:

- PCB thickness
- Proportion of Cu in the layers
- Single/double-sided assembly
- Product range
- Heating and cooling rates

The single and double wave profiles each indicate the recommended operating range, including the maximum soldering temperature of 260°C. In practice, the maximum soldering temperature is quite often well below the above maximum profile.