

SAI-H3-M12-S

Weidmüller Interface GmbH & Co. KG
Klingenbergstraße 26
D-32758 Detmold
Germany

www.weidmueller.com

Product image



General ordering data

Version	Y connector
Order No.	2616410000
Type	SAI-H3-M12-S
GTIN (EAN)	4050118621372
Qty.	1 pc(s).

SAI-H3-M12-S

Weidmüller Interface GmbH & Co. KG

Klingenbergstraße 26

D-32758 Detmold

Germany

www.weidmueller.com

Technical data

Dimensions and weights

Net weight	102 g
------------	-------

Connection data

Group outlet - plug-in connector	M12 pin	Single outlet 1 - plug-in connector	M12 socket
Single outlet 2 - plug-in connector	M12 socket		

Technical data customisable plug-in connectors

Cable glands	M 12	Coding	S-coded
Contact surface	Gold-plated	Housing main material	TPU
Insulation strength	≥ 100 MΩ	Number of poles	4
Pollution severity	3	Protection degree	IP67
Rated current	12 A	Shield connection	No
Temperature range of housing	-30...+90 °C		

Standards

Connector standard	IEC 61076-2-111
--------------------	-----------------

General data

Cable glands	M 12	Coding	S-coded
Conductor O.D.	-	Contact surface	Gold-plated
Housing main material	TPU	Insulation strength	≥ 100 MΩ
Number of poles	4	Pollution severity	3
Protection degree	IP67	Rated current	12 A
Rated voltage	630 V AC	Shield connection	No
Temperature range of housing	-30...+90 °C		

Classifications

ETIM 6.0	EC002925	ETIM 7.0	EC002925
ETIM 8.0	EC002925	ETIM 9.0	EC002925
ECLASS 9.0	27-44-01-06	ECLASS 9.1	27-44-01-06
ECLASS 10.0	27-44-01-06	ECLASS 11.0	27-44-01-06
ECLASS 12.0	27-44-01-06	ECLASS 13.0	27440106

Environmental Product Compliance

REACH SVHC	Lead 7439-92-1
SCIP	4060c755-8d0b-4d43-bdb3-4ffabe9d7497

Approvals

Approvals



ROHS	Conform
UL File Number Search	UL Website
Certificate no. (cULus)	E310075

Creation date December 1, 2023 4:23:24 PM CET

Catalogue status 24.11.2023 / We reserve the right to make technical changes.

2

Data sheet

SAI-H3-M12-S

Weidmüller Interface GmbH & Co. KG
Klingenbergstraße 26
D-32758 Detmold
Germany

www.weidmueller.com

Technical data

Downloads

Engineering Data	CAD data – STEP
Catalogues	Catalogues in PDF-format

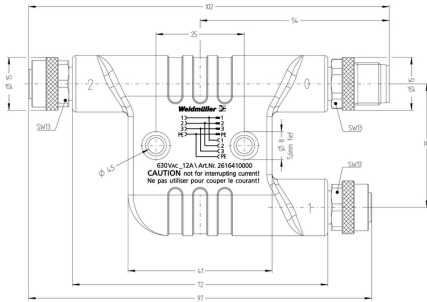
SAI-H3-M12-S

Weidmüller Interface GmbH & Co. KG
 Klingenbergstraße 26
 D-32758 Detmold
 Germany

www.weidmueller.com

Drawings

Drawing



Connection diagram

