

AMG AM**Weidmüller Interface GmbH & Co. KG**

Klingenbergstraße 26

D-32758 Detmold

Germany

www.weidmueller.com



Similar to illustration

Efficient machine and facility operation calls for fail-safe and maintenance-friendly control voltage distribution that can be installed in a time and space-saving manner.

With the new maxGUARD system, the terminal blocks (previously installed separately) for distributing potential to the outputs of the electronic load monitors become an integral part of a 24 V DC control voltage distribution system.

The innovative combination of load monitoring and potential distribution saves time during installation, increases safety against failure and reduces the amount of space required on the terminal rail by 50%.

General ordering data

| | |
|------------|----------------------------|
| Version | Alarm module, 24 V DC |
| Order No. | 2081890000 |
| Type | AMG AM |
| GTIN (EAN) | 4050118419337 |
| Qty. | 1 pc(s). |

AMG AM

Weidmüller Interface GmbH & Co. KG
 Klingenbergstraße 26
 D-32758 Detmold
 Germany

www.weidmueller.com

Technical data

Dimensions and weights

| | | | |
|------------|---------|-----------------|------------|
| Depth | 96.5 mm | Depth (inches) | 3.799 inch |
| Height | 125 mm | Height (inches) | 4.921 inch |
| Width | 12.2 mm | Width (inches) | 0.48 inch |
| Net weight | 56 g | | |

Temperatures

| | | | |
|---------------------|----------------|-----------------------|----------------|
| Storage temperature | -40 °C...85 °C | Operating temperature | -25 °C...55 °C |
|---------------------|----------------|-----------------------|----------------|

Input

| | | | |
|--|--------------|----------------------------|------------------|
| Current consumption (full load) | 30 mA | Current consumption (idle) | 25 mA |
| DC input voltage range | 18...30 V DC | Input fuse (internal) | No |
| Rated input voltage | 24 V DC | Surge protection | Suppressor diode |
| max. admissible residual ripple at the input | 100 mVpp | | |

Output

| | | | |
|-------------------|---------|------------------|------------------|
| Connection system | PUSH IN | Surge protection | Suppressor diode |
|-------------------|---------|------------------|------------------|

General data

| | | | |
|------------------------|------------------------------|-------------|--|
| Conformal coating | No | | |
| Control inputs | No | | |
| MTTF | According to Standard | SN 29500 | |
| | Operating time (hours), min. | 4,787,000 h | |
| | Ambient temperature | 40 °C | |
| | Input voltage | 24 V | |
| | Duty cycle | 100 % | |
| Protection degree | IP20 | | |
| Surge voltage category | III | | |

Insulation coordination

| | |
|------------------------|-----|
| Surge voltage category | III |
|------------------------|-----|

Connection data (output)

| | | | |
|---|---------------------|---|----------------------|
| Conductor cross-section, AWG/kcmil , max. | 12 | Conductor cross-section, AWG/kcmil , min. | 26 |
| Conductor cross-section, flexible , max. | 2.5 mm ² | Conductor cross-section, flexible , min. | 0.14 mm ² |
| Conductor cross-section, rigid , max. | 2.5 mm ² | Conductor cross-section, rigid , min. | 0.14 mm ² |
| Connection system | PUSH IN | Number of terminals | 4 (2 x NO) |

Signalling

| | | | |
|--------------------------|---|---------------------------------------|--------------------|
| Floating contact | Yes | Red LED | Alarm |
| Status relay (max. load) | Alarm (24 V / 0.1 A), I > 90 % (24 V / 0.1 A) | Transistor output, positive-switching | Pre-warning, Alarm |
| Yellow LED | Current > 90% Inom (flashing) | | |

AMG AM

Weidmüller Interface GmbH & Co. KG

Klingenbergstraße 26

D-32758 Detmold

Germany

www.weidmueller.com

Technical data

Approbations

| | | | |
|-------------------------|---------|-------------------|-------|
| Certificate no. (cULus) | E258476 | Institute (cULus) | CULUS |
|-------------------------|---------|-------------------|-------|

Classifications

| | | | |
|-------------|-------------|-------------|-------------|
| ETIM 6.0 | EC002057 | ETIM 7.0 | EC002057 |
| ETIM 8.0 | EC002057 | ETIM 9.0 | EC001437 |
| ECLASS 9.0 | 27-37-10-16 | ECLASS 9.1 | 27-37-10-16 |
| ECLASS 10.0 | 27-37-10-16 | ECLASS 11.0 | 27-37-10-16 |
| ECLASS 12.0 | 27-37-10-16 | ECLASS 13.0 | 27-37-10-16 |

Environmental Product Compliance

| | |
|------------|--------------------------------------|
| REACH SVHC | Lead 7439-92-1 |
| SCIP | a7fff16c-85aa-4fb0-a206-7be03f41b0b7 |

Approvals

Approvals



| | |
|-------------------------|------------|
| ROHS | Conform |
| UL File Number Search | UL Website |
| Certificate no. (cULus) | E258476 |

Downloads

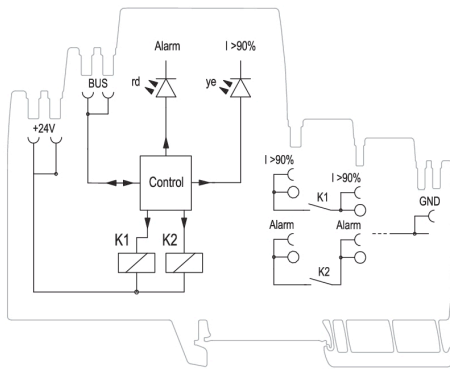
| | |
|---|--|
| Approval/Certificate/Document of Conformity | MaxGuard AMG ELM UL 508 CSA C22.2.pdf Declaration of Conformity UK Conformity Assessed |
| Engineering Data | CAD data – STEP |
| Engineering Data | Zuken E3.S |
| User Documentation | Manual maxGUARD Operating instructions |
| Catalogues | Catalogues in PDF-format |

AMG AM

Weidmüller Interface GmbH & Co. KG
Klingenbergstraße 26
D-32758 Detmold
Germany

Drawings

www.weidmueller.com



Schematic circuit diagram

AMG AM

Weidmüller Interface GmbH & Co. KG
 Klingenbergstraße 26
 D-32758 Detmold
 Germany

www.weidmueller.com

Accessories

Blank



WS markers are the perfect match for the W-series connectors. Thanks to their system compatibility, the WS tags can also be used with the I-series and the Z-series. The large marking surfaces do not only permit long character strings but also multi-line text. WS markers are ideal for labels with long, customised character strings. Thanks to the proven MultiCard format, printing with PrintJet CONNECT oder/or Plotter is possible.

- Can be fitted in strips or individually
- Markers in proven MultiCard format

For custom printing: Please send us a file of our labeling software M-Print PRO or M-Print PRO Online (without installation) for your labeling specifications.

General ordering data

| | | |
|------------|---------------------------|--|
| Type | WS 10/6 M MC NE WS | Version |
| Order No. | 181840000 | WS, Terminal marker, 10 x 6 mm, Pitch in mm (P): 6.00 Weidmueller, |
| GTIN (EAN) | 4032248310876 | Allen-Bradley, white |
| Qty. | 600 pc(s). | |

W-Series



Weidmüller's range of products includes end brackets that guarantee a permanent, reliable mounting on the terminal rail and prevent sliding. Versions with and without screws are available. The end brackets include marking options, also for group markers, and also a test plug holder.

General ordering data

| | | |
|------------|---------------------------|-----------------------|
| Type | WEW 35/2 V0 GF SW | Version |
| Order No. | 147900000 | W-Series, End bracket |
| GTIN (EAN) | 4050118286779 | |
| Qty. | 50 pc(s). | |

AMG AM

Weidmüller Interface GmbH & Co. KG

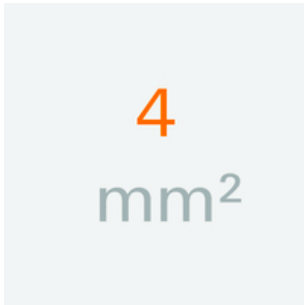
Klingenbergstraße 26

D-32758 Detmold

Germany

www.weidmueller.com

Accessories

4 mm²

The plug-in cross-connections feature easy handling and quick installation. This saves a great deal of time during installation in comparison with screwed solutions.

General ordering data

| | | |
|------------|----------------------------|---|
| Type | ZQV 4N/5 BL | Version |
| Order No. | 1528140000 | Cross-connector (terminal), Plugged, Number of poles: 5, Pitch in mm |
| GTIN (EAN) | 4050118333015 | (P): 6.10, Insulated: Yes, 32 A, blue |
| Qty. | 60 pc(s). | |
| Type | ZQV 4N/4 BL | Version |
| Order No. | 1528120000 | Cross-connector (terminal), Plugged, Number of poles: 4, Pitch in mm |
| GTIN (EAN) | 4050118332872 | (P): 6.10, Insulated: Yes, 32 A, blue |
| Qty. | 60 pc(s). | |
| Type | ZQV 4N/50 RD | Version |
| Order No. | 2460730000 | Cross-connector (terminal), Plugged, Number of poles: 50, Pitch in mm |
| GTIN (EAN) | 4050118476156 | (P): 6.10, Insulated: Yes, 32 A, red |
| Qty. | 5 pc(s). | |
| Type | ZQV 4N/10 BL | Version |
| Order No. | 1528230000 | Cross-connector (terminal), Plugged, Number of poles: 10, Pitch in mm |
| GTIN (EAN) | 4050118333138 | (P): 6.10, Insulated: Yes, 32 A, blue |
| Qty. | 20 pc(s). | |
| Type | ZQV 4N/3 RD | Version |
| Order No. | 2460810000 | Cross-connector (terminal), Plugged, Number of poles: 3, Pitch in mm |
| GTIN (EAN) | 4050118476231 | (P): 6.10, 32 A, red |
| Qty. | 60 pc(s). | |
| Type | ZQV 4N/6 | Version |
| Order No. | 1527990000 | Cross-connector (terminal), Plugged, Number of poles: 6, Pitch in mm |
| GTIN (EAN) | 4050118332919 | (P): 6.10, Insulated: Yes, 32 A, orange |
| Qty. | 20 pc(s). | |
| Type | ZQV 4N/9 | Version |
| Order No. | 1528070000 | Cross-connector (terminal), Plugged, Number of poles: 9, Pitch in mm |
| GTIN (EAN) | 4050118332797 | (P): 6.10, Insulated: Yes, 32 A, orange |
| Qty. | 20 pc(s). | |
| Type | ZQV 4N/2 BL | Version |
| Order No. | 1528040000 | Cross-connector (terminal), Plugged, Number of poles: 2, Pitch in mm |
| GTIN (EAN) | 4050118332773 | (P): 6.10, Insulated: Yes, 32 A, blue |
| Qty. | 60 pc(s). | |
| Type | ZQV 4N/4 | Version |
| Order No. | 1527970000 | Cross-connector (terminal), Plugged, Number of poles: 4, Pitch in mm |
| GTIN (EAN) | 4050118332889 | (P): 6.10, Insulated: Yes, 32 A, orange |
| Qty. | 60 pc(s). | |
| Type | ZQV 4N/9 BL | Version |
| Order No. | 1528220000 | Cross-connector (terminal), Plugged, Number of poles: 9, Pitch in mm |
| GTIN (EAN) | 4050118333107 | (P): 6.10, Insulated: Yes, 32 A, blue |
| Qty. | 20 pc(s). | |

Creation date March 12, 2024 1:52:12 PM CET

Catalogue status 09.03.2024 / We reserve the right to make technical changes.

6

AMG AM

Weidmüller Interface GmbH & Co. KG

Klingenbergstraße 26

D-32758 Detmold

Germany

www.weidmueller.com

Accessories

| | | |
|------------|----------------------------|---|
| Type | ZQV 4N/4 RD | Version |
| Order No. | 2460800000 | Cross-connector (terminal), Plugged, Number of poles: 4, Pitch in mm |
| GTIN (EAN) | 4050118476224 | (P): 6.10, Insulated: Yes, 32 A, red |
| Qty. | 60 pc(s). | |
| Type | ZQV 4N/50 | Version |
| Order No. | 1528130000 | Cross-connector (terminal), Plugged, Number of poles: 50, Pitch in mm |
| GTIN (EAN) | 4050118332902 | (P): 6.10, Insulated: Yes, 32 A, orange |
| Qty. | 5 pc(s). | |
| Type | ZQV 4N/9 RD | Version |
| Order No. | 2460750000 | Cross-connector (terminal), Plugged, Number of poles: 9, Pitch in mm |
| GTIN (EAN) | 4050118476170 | (P): 6.10, Insulated: Yes, 32 A, red |
| Qty. | 20 pc(s). | |
| Type | ZQV 4N/6 BL | Version |
| Order No. | 1528170000 | Cross-connector (terminal), Plugged, Number of poles: 6, Pitch in mm |
| GTIN (EAN) | 4050118332926 | (P): 6.10, Insulated: Yes, 32 A, blue |
| Qty. | 20 pc(s). | |
| Type | ZQV 4N/7 RD | Version |
| Order No. | 2460770000 | Cross-connector (terminal), Plugged, Number of poles: 7, Pitch in mm |
| GTIN (EAN) | 4050118476194 | (P): 6.10, Insulated: Yes, 32 A, red |
| Qty. | 20 pc(s). | |
| Type | ZQV 4N/50 BL | Version |
| Order No. | 1528240000 | Cross-connector (terminal), Plugged, Number of poles: 50, Pitch in mm |
| GTIN (EAN) | 4050118333121 | (P): 6.10, Insulated: Yes, 32 A, blue |
| Qty. | 5 pc(s). | |
| Type | ZQV 4N/8 | Version |
| Order No. | 1528030000 | Cross-connector (terminal), Plugged, Number of poles: 8, Pitch in mm |
| GTIN (EAN) | 4050118332841 | (P): 6.10, Insulated: Yes, 32 A, orange |
| Qty. | 20 pc(s). | |
| Type | ZQV 4N/8 RD | Version |
| Order No. | 2460760000 | Cross-connector (terminal), Plugged, Number of poles: 8, Pitch in mm |
| GTIN (EAN) | 4050118476187 | (P): 6.10, Insulated: Yes, 32 A, red |
| Qty. | 20 pc(s). | |
| Type | ZQV 4N/7 BL | Version |
| Order No. | 1528180000 | Cross-connector (terminal), Plugged, Number of poles: 7, Pitch in mm |
| GTIN (EAN) | 4050118333114 | (P): 6.10, Insulated: Yes, 32 A, blue |
| Qty. | 20 pc(s). | |
| Type | ZQV 4N/10 RD | Version |
| Order No. | 2460740000 | Cross-connector (terminal), Plugged, Number of poles: 10, Pitch in mm |
| GTIN (EAN) | 4050118476163 | (P): 6.10, 32 A, red |
| Qty. | 20 pc(s). | |
| Type | ZQV 4N/6 RD | Version |
| Order No. | 2460780000 | Cross-connector (terminal), Plugged, Number of poles: 6, Pitch in mm |
| GTIN (EAN) | 4050118476200 | (P): 6.10, Insulated: Yes, 32 A, red |
| Qty. | 20 pc(s). | |
| Type | ZQV 4N/7 | Version |
| Order No. | 1528020000 | Cross-connector (terminal), Plugged, Number of poles: 7, Pitch in mm |
| GTIN (EAN) | 4050118332780 | (P): 6.10, Insulated: Yes, 32 A, orange |
| Qty. | 20 pc(s). | |
| Type | ZQV 4N/5 | Version |
| Order No. | 1527980000 | Cross-connector (terminal), Plugged, Number of poles: 5, Pitch in mm |
| GTIN (EAN) | 4050118332759 | (P): 6.10, Insulated: Yes, 32 A, orange |
| Qty. | 60 pc(s). | |

Creation date March 12, 2024 1:52:12 PM CET

Catalogue status 09.03.2024 / We reserve the right to make technical changes.

7

AMG AM

Weidmüller Interface GmbH & Co. KG

Klingenbergstraße 26

D-32758 Detmold

Germany

www.weidmueller.com

Accessories

| | | |
|------------|----------------------------|---|
| Type | ZQV 4N/3 BL | Version |
| Order No. | 1528080000 | Cross-connector (terminal), Plugged, Number of poles: 3, Pitch in mm |
| GTIN (EAN) | 4050118333008 | (P): 6.10, Insulated: Yes, 32 A, blue |
| Qty. | 60 pc(s). | |
| Type | ZQV 4N/2 | Version |
| Order No. | 1527930000 | Cross-connector (terminal), Plugged, Number of poles: 2, Pitch in mm |
| GTIN (EAN) | 4050118332766 | (P): 6.10, Insulated: Yes, 32 A, orange |
| Qty. | 60 pc(s). | |
| Type | ZQV 4N/3 | Version |
| Order No. | 1527940000 | Cross-connector (terminal), Plugged, Number of poles: 3, Pitch in mm |
| GTIN (EAN) | 4050118332865 | (P): 6.10, Insulated: Yes, 32 A, orange |
| Qty. | 60 pc(s). | |
| Type | ZQV 4N/8 BL | Version |
| Order No. | 1528190000 | Cross-connector (terminal), Plugged, Number of poles: 8, Pitch in mm |
| GTIN (EAN) | 4050118332858 | (P): 6.10, Insulated: Yes, 32 A, blue |
| Qty. | 20 pc(s). | |
| Type | ZQV 4N/2 RD | Version |
| Order No. | 2460450000 | Cross-connector (terminal), Plugged, Number of poles: 2, Pitch in mm |
| GTIN (EAN) | 4050118476149 | (P): 6.10, 32 A, red |
| Qty. | 60 pc(s). | |
| Type | ZQV 4N/5 RD | Version |
| Order No. | 2460790000 | Cross-connector (terminal), Plugged, Number of poles: 5, Pitch in mm |
| GTIN (EAN) | 4050118476217 | (P): 6.10, Insulated: Yes, 32 A, red |
| Qty. | 60 pc(s). | |
| Type | ZQV 4N/10 | Version |
| Order No. | 1528090000 | Cross-connector (terminal), Plugged, Number of poles: 10, Pitch in mm |
| GTIN (EAN) | 4050118332896 | (P): 6.10, Insulated: Yes, 32 A, orange |
| Qty. | 20 pc(s). | |

Slotted screwdriver



VDE insulated screwdriver sets, for working on live parts up to 1000 V AC and 1500 V DC, DIN EN 60900. IEC 900. Each piece is "GS" safety tested. Blade made from fully hardened, high-alloy chromium-vanadium-molybdenum steel, gun-metal finish.

General ordering data

| | | |
|------------|----------------------------|----------------------------|
| Type | SDIS SL 0.6X3.5X100 | Version |
| Order No. | 1274660000 | Screwdriver, Mounting tool |
| GTIN (EAN) | 4050118072631 | |
| Qty. | 1 pc(s). | |

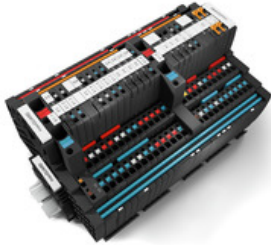
AMG AM

Weidmüller Interface GmbH & Co. KG
 Klingenbergstraße 26
 D-32758 Detmold
 Germany

www.weidmueller.com

Accessories

Standard version for machine construction



Efficient machine and facility operation calls for fail-safe and maintenance-friendly control voltage distribution that can be installed in a time and space-saving manner. With the new maxGUARD system, the terminal blocks (previously installed separately) for distributing potential to the outputs of the electronic load monitors become an integral part of a 24 V DC control voltage distribution system. The innovative combination of load monitoring and potential distribution saves time during installation, increases safety against failure and reduces the amount of space required on the terminal rail by 50%.

General ordering data

| | | |
|------------|----------------------------|-----------------------|
| Type | AMG OD | Version |
| Order No. | 2122910000 | Potential distributor |
| GTIN (EAN) | 4050118425185 | |
| Qty. | 10 pc(s). | |
| Type | AMG DIS | Version |
| Order No. | 2123050000 | Potential distributor |
| GTIN (EAN) | 4050118425413 | |
| Qty. | 10 pc(s). | |
| Type | AMG PP | Version |
| Order No. | 2123000000 | Partition plate |
| GTIN (EAN) | 4050118425338 | |
| Qty. | 40 pc(s). | |
| Type | AMG MD | Version |
| Order No. | 2122930000 | Potential distributor |
| GTIN (EAN) | 4050118425192 | |
| Qty. | 10 pc(s). | |
| Type | AMG EP 2010 | Version |
| Order No. | 2495380000 | Fastening element |
| GTIN (EAN) | 4050118505306 | |
| Qty. | 30 pc(s). | |
| Type | AMG PD | Version |
| Order No. | 2122920000 | Potential distributor |
| GTIN (EAN) | 4050118425321 | |
| Qty. | 10 pc(s). | |