

HDC-C-HE-SM0.75-1.00AU**Weidmüller Interface GmbH & Co. KG**

Klingenbergstraße 26

D-32758 Detmold

Germany

www.weidmueller.com



Crimps provide a electrical and mechanical connection between wire and contact that is both secure and reliable. The optimal crimp connection is gas-tight and corrosion-resistant.

General ordering data

Version	Heavy-duty connectors, Crimp contact, HE, HEE, HQ, MixMate, Male, Conductor cross-section, max.: 1, turned, Copper alloy
Order No.	1651430000
Type	HDC-C-HE-SM0.75-1.00AU
GTIN (EAN)	4008190400101
Qty.	100 pc(s).

Creation date December 4, 2023 3:47:10 PM CET

Catalogue status 24.11.2023 / We reserve the right to make technical changes.

HDC-C-HE-SM0.75-1.00AU**Weidmüller Interface GmbH & Co. KG**

Klingenbergstraße 26

D-32758 Detmold

Germany

www.weidmueller.com

Technical data**Dimensions and weights**

Diameter	4.5 mm	Net weight	1.2 g
----------	--------	------------	-------

General data

Conductor cross-section, max.	1 mm ²	Conductor cross-section, min.	0.75 mm ²
Contact diameter, male Ø	2.5 mm	Contact material	Copper alloy
Cross-section for connected wire	0.75 - 1 mm ²	Material	Copper alloy
Plugging cycles	≥ 500	Production methods	turned
Series	HE	Stripping length, rated connection	7.5 mm
Surface finish	gold	Type	Male
Type of connection	Crimp connection	Version insert	HE, HEE, HQ, MixMate
Volume resistance	≤2 mΩ		

Classifications

ETIM 6.0	EC000796	ETIM 7.0	EC000796
ETIM 8.0	EC000796	ETIM 9.0	EC000796
ECLASS 9.0	27-44-02-04	ECLASS 9.1	27-44-02-04
ECLASS 10.0	27-44-02-04	ECLASS 11.0	27-44-02-04
ECLASS 12.0	27-44-02-04	ECLASS 13.0	27440204

Environmental Product Compliance

REACH SVHC	Lead 7439-92-1
SCIP	6eabd5ae-2d6b-409e-8bdf-87c27ee10e40

Approvals

Approvals



ROHS	Conform
UL File Number Search	UL Website
Certificate No. (cURus)	E92202

Downloads

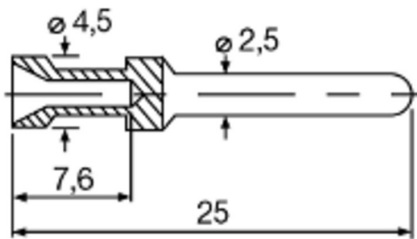
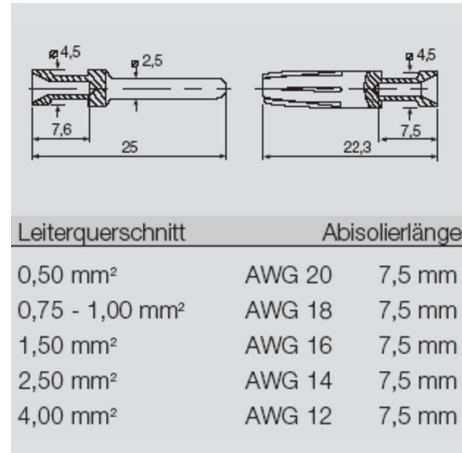
Engineering Data	CAD data – STEP
Catalogues	Catalogues in PDF-format
Brochures	FL FIELDWIRING EN FL FIELDWIRING EN

HDC-C-HE-SM0.75-1.00AU

Weidmüller Interface GmbH & Co. KG
 Klingenbergstraße 26
 D-32758 Detmold
 Germany

www.weidmueller.com

Drawings



HDC-C-HE-SM0.75-1.00AU

Weidmüller Interface GmbH & Co. KG

Klingenbergstraße 26

D-32758 Detmold

Germany

www.weidmueller.com

Accessories

Crimping tools



Crimping tools for turned contacts

- Ratchet guarantees precise crimping
- Release option in the event of incorrect operation
- With stop for exact positioning of the contacts.

General ordering data

Type	CTX CM 1.6/2.5	Version
Order No.	9018490000	Pressing tool, Crimping tool for contacts, 0.14mm ² , 4mm ² , W crimp
GTIN (EAN)	4008190884598	
Qty.	1 pc(s).	
Type	CTIN CM 1.6/2.5	Version
Order No.	9205430000	Pressing tool, Crimping tool for contacts, 0.14mm ² , 6mm ² , 4-indent crimp
GTIN (EAN)	4032248733446	
Qty.	1 pc(s).	

Contact removal tools



Weidmüller offers a variety of crimping tools, contact removal tools, and fibre optic tools.

General ordering data

Type	REMOVAL TOOL HE	Version
Order No.	1866750000	Tools, Contact Removal Tool
GTIN (EAN)	4032248437078	
Qty.	1 pc(s).	