

## KLIPPON POK 081106 EX

**Weidmüller Interface GmbH & Co. KG**

Klingenbergstraße 26

D-32758 Detmold

Germany

[www.weidmueller.com](http://www.weidmueller.com)

### Similar to illustration



The Klippon® POK enclosure range is made from a high-quality glass fibre reinforced polyester and is ideal for applications and environments where corrosion resistance, impact resistance and a high IP protection class are a requirement.

Key features of the extensive product range:

- Available in 17 sizes
- Two standard finishes (colours): grey (similar to RAL 7001 for industrial use) and black (similar to RAL 9011 for harsh environments, Ex)
- Cover with stainless steel screws in cross-head / slotted design
- Moulded gasket made of silicone or chloroprene
- Fixing holes outside the sealed area to ensure high ingress protection of IP66
- Impact resistance up to 7 Joules
- Mounting directly in the enclosure or using an internal mounting plate
- Direct wall mounting possible using fixing holes or mounting feet
- Fastening thread to attach mounting rails and plates
- Up to E60 fire rating dependent on the configuration
- Weidmüller can manufacture and supply this enclosure to match customer specifications - fitted with all necessary terminals and cable glands.

### General ordering data

Version	Klippon POK (polyester empty enclosure), Empty enclosure, Height: 75 mm, Width: 110 mm, Depth: 56 mm, Material: Glass fibre-reinforced polyester, untreated, polished, black
Order No.	<a href="#">1306010000</a>
Type	KLIPPON POK 08 1 106 EX
GTIN (EAN)	4050118108361
Qty.	1 pc(s).
Required tool	<a href="#">9008540000</a>

## KLIPPON POK 081106 EX

**Weidmüller Interface GmbH & Co. KG**

Klingenbergstraße 26

D-32758 Detmold

Germany

www.weidmueller.com

## Technical data

### Dimensions and weights

Depth	56 mm	Depth (inches)	2.205 inch
Height	75 mm	Height (inches)	2.953 inch
Height of lowest version	56 mm	Width	110 mm
Width (inches)	4.331 inch	Mounting dimension - height	45 mm
Mounting dimension - width	98 mm	Net weight	348 g

### Temperatures

Operating temperature	-55 °C...100 °C
-----------------------	-----------------

### Cable glands, left

M12	1	M16	1
M20	1		

### Cable glands, right

M12	1	M16	1
M20	1		

### Cable glands, top/bottom

M12	7	M16	3
M20	2	M25	2

### Certificate numbers enclosure

Approval conditions	ATEX, DNV, IECEX, LR, RMRS, UL AEx Class Div., UL AEx Class Zone, cULus, KC, CCC, INMETRO	Attestation of Conformity No. (AoC)	DE PS2600 160308 001ISS01
Certificate No. (ATEX)	IBEXU13ATEX1003U	Certificate No. (DNV)	TAE00002R2
Certificate No. (IECEX)	IECEXIBE13.0004X	Certificate no. (cULus)	E256877
Certificate no. Terminal Box (AEx)	E223792	Certificate no. Terminal Box (ATEX)	IBEXU13ATEX1004 X
Certificate no. Terminal Box (IECEX)	IECEX IBE 13.0004X	Certificate no. Terminal Box (INMETRO)	LMP 21.0021X
Certificate no. Terminal Box (KOSHA)	16-AV4BO-0246X	Certificate no. empty enclosure (AEx)	E223792
Certificate no. empty enclosure (ATEX)	IBEXU13ATEX1003 U	Certificate no. empty enclosure (IECEX)	IECEX IBE 13.0003U
Certificate no. empty enclosure (INMETRO)	LMP 23.0528U	Declaration of Conformity No. (DoC LVD)	DE_PS2600_160412_001ISS01

## KLIPPON POK 081106 EX

**Weidmüller Interface GmbH & Co. KG**

Klingenbergstraße 26

D-32758 Detmold

Germany

www.weidmueller.com

## Technical data

### General information

Access opening: height	66.02 mm	Access opening: width	101.02 mm
Areas of use	Explosive risk zone, Harbour facilities, Machine construction, Process industry, Transportation	Enclosure attachment	Installation through the housing rear wall, Fixing lugs
Flange plate	No	Impact resistance	7 J ATEX version
Lid	Yes	Lid attachment	Slotted/Phillips screws
Material	Glass fibre-reinforced polyester	Material thickness of cover	3.7 mm
Material thickness of enclosure	4.49 mm	Number of lid screws	4
Operating temperature, max.	100 °C	Operating temperature, min.	-55 °C
Protection class (UL)	Type 4, Type 4X	Protection degree	IP66
Seal material	Silicone	Standards	DIN EN 62208 - Empty enclosure standard, IEC 60079-0, IEC 60079-7, IEC 60079-31
Surface finish	untreated, polished	Torque for lid screws	2.5 Nm
UL 94 flammability rating	V-0		

### horizontal assembly

WDU 2,5 / ZDU 2,5 / IDU 2,5	1x10	WDU 4 / ZDU 4	1x9
-----------------------------	------	---------------	-----

### vertical assembly

WDU 2,5 / ZDU 2,5 / IDU 2,5	1x1*	WDU 4 / ZDU 4	1x1*
-----------------------------	------	---------------	------

### Classifications

ETIM 6.0	EC002503	ETIM 7.0	EC002503
ETIM 8.0	EC002503	ETIM 9.0	EC002503
ECLASS 9.0	27-18-05-02	ECLASS 9.1	27-18-05-02
ECLASS 10.0	27-18-05-02	ECLASS 11.0	27-18-05-02
ECLASS 12.0	27-18-05-02	ECLASS 13.0	27-18-05-02

### Environmental Product Compliance

REACH SVHC	Lead 7439-92-1
SCIP	afb385d0-c52b-4449-8502-203596817ab0

## KLIPPON POK 081106 EX

Weidmüller Interface GmbH &amp; Co. KG

Klingenbergstraße 26

D-32758 Detmold

Germany

www.weidmueller.com

## Technical data

## Approvals

Approvals



ROHS	Conform
UL File Number Search	UL Website
Certificate no. (cULus)	E256877

## Downloads

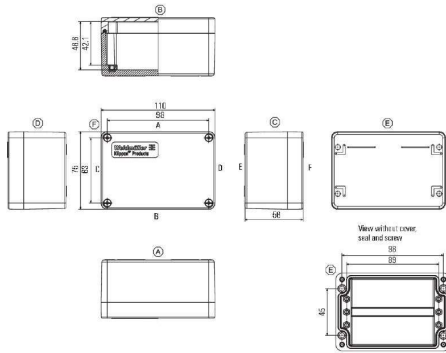
Approval/Certificate/Document of Conformity	<a href="#">CCC 2020322303002628 POK Assembly Enclosure</a> <a href="#">UKCA TÜV 22 UKEX 7093 X</a> <a href="#">UKCA TÜV 22 UKEX 7092 U</a> <a href="#">Attestation of Conformity - Klippon POK Empty Enclosures - AoC DE PS2600 160308 001ISS03 14_20001</a> <a href="#">TAE00002R2</a> <a href="#">IECEXIBE13.0004X</a> <a href="#">16-AV4BO-246X</a> <a href="#">IBEXU13ATEX1003U</a> <a href="#">IBEXU13ATEX1004X</a> <a href="#">IECEXIBE13.0003U</a> <a href="#">INMETRO CERTIFICADO LMP 2.1.0021X KLIPPON POK</a> <a href="#">EU Declaration of Conformity - Klippon POK Empty Enclosures Ex - DoC DE PS2600 160412 001ISS02</a>
Engineering Data	<a href="#">CAD data – STEP</a>
Tender specification	<a href="#">Klippon POK 081106 Ex_1306010000_DE</a> <a href="#">Klippon POK 081106 Ex_1306010000_EN</a>
Catalogues	<a href="#">Catalogues in PDF-format</a>
Brochures	<a href="#">MB OVERV. PROCESS WD DE</a> <a href="#">MB KLIPPON ENCL.TECN EN</a> <a href="#">MB PROCESS EN</a> <a href="#">FL KLIPPON POK EN</a> <a href="#">FL SHIPBUILDING 2016 EN</a> <a href="#">FL SHIPBUILDING 2016 EN</a>

**KLIPPON POK 081106 EX**

**Weidmüller Interface GmbH & Co. KG**  
Klingenbergstraße 26  
D-32758 Detmold  
Germany

[www.weidmueller.com](http://www.weidmueller.com)

**Drawings**



## KLIPPON POK 081106 EX

**Weidmüller Interface GmbH & Co. KG**

Klingenbergstraße 26

D-32758 Detmold

Germany

[www.weidmueller.com](http://www.weidmueller.com)

## Accessories

### Klippon® POK standard mounting plates



The Klippon® POK enclosure range is made from a high-quality glass fibre reinforced polyester and is ideal for applications and environments where corrosion resistance, impact resistance and a high IP protection class are a requirement.

Key features of the extensive product range:

- Available in 17 sizes
- Two standard finishes (colours): grey (similar to RAL 7001 for industrial use) and black (similar to RAL 9011 for harsh environments, Ex)
- Cover with stainless steel screws in cross-head / slotted design
- Moulded gasket made of silicone or chloroprene
- Fixing holes outside the sealed area to ensure high ingress protection of IP66
- Impact resistance up to 7 Joules
- Mounting directly in the enclosure or using an internal mounting plate
- Direct wall mounting possible using fixing holes or mounting feet
- Fastening thread to attach mounting rails and plates
- Up to E60 fire rating dependent on the configuration
- Weidmüller can manufacture and supply this enclosure to match customer specifications - fitted with all necessary terminals and cable glands.

### General ordering data

Type	POK MOPL 0811	Version
Order No.	<a href="#">9510580000</a>	Klippon POK (polyester empty enclosure), Mounting plate, Height: 64
GTIN (EAN)	4008190498207	mm, Width: 99 mm, Depth: 1.5 mm, Material: Sheet steel, galvanized,
Qty.	1 pc(s).	Miscellaneous, silver

## KLIPPON POK 081106 EX

**Weidmüller Interface GmbH & Co. KG**  
 Klingenbergstraße 26  
 D-32758 Detmold  
 Germany

www.weidmueller.com

## Accessories

## Klippon® POK earthing stud



The Klippon® POK enclosure range is made from a high-quality glass fibre reinforced polyester and is ideal for applications and environments where corrosion resistance, impact resistance and a high IP protection class are a requirement.

Key features of the extensive product range:

- Available in 17 sizes
- Two standard finishes (colours): grey (similar to RAL 7001 for industrial use) and black (similar to RAL 9011 for harsh environments, Ex)
- Cover with stainless steel screws in cross-head / slotted design
- Moulded gasket made of silicone or chloroprene
- Fixing holes outside the sealed area to ensure high ingress protection of IP66
- Impact resistance up to 7 Joules
- Mounting directly in the enclosure or using an internal mounting plate
- Direct wall mounting possible using fixing holes or mounting feet
- Fastening thread to attach mounting rails and plates
- Up to E60 fire rating dependent on the configuration
- Weidmüller can manufacture and supply this enclosure to match customer specifications - fitted with all necessary terminals and cable glands.

## General ordering data

Type	PEBZ M10 BR SET	Version
Order No.	<a href="#">1277220000</a>	Klippon POK (polyester empty enclosure), Earthing stud,
GTIN (EAN)	4050118067019	Miscellaneous, Height: 21 mm, Width: 21 mm, Depth: 48.7 mm,
Qty.	1 pc(s).	Material: Brass
Type	PEBZ M10 S4 SET	Version
Order No.	<a href="#">1283440000</a>	Klippon POK (polyester empty enclosure), Earthing stud,
GTIN (EAN)	4050118073362	Miscellaneous, Height: 21 mm, Width: 21 mm, Depth: 48.7 mm,
Qty.	1 pc(s).	Material: Stainless steel 1.4404 (316L)
Type	PEBZ M6 BR SET	Version
Order No.	<a href="#">1277250000</a>	Klippon POK (polyester empty enclosure), Earthing stud,
GTIN (EAN)	4050118067149	Miscellaneous, Height: 12.3 mm, Width: 12.3 mm, Depth: 42 mm,
Qty.	1 pc(s).	Material: Brass
Type	PEBZ M6 S4 SET	Version
Order No.	<a href="#">1283430000</a>	Klippon POK (polyester empty enclosure), Earthing stud,
GTIN (EAN)	4050118073607	Miscellaneous, Height: 12.3 mm, Width: 12.3 mm, Depth: 42 mm,
Qty.	1 pc(s).	Material: Stainless steel 1.4404 (316L)

**KLIPPON POK 081106 EX**

**Weidmüller Interface GmbH & Co. KG**  
 Klingenbergstraße 26  
 D-32758 Detmold  
 Germany

www.weidmueller.com

**Accessories**

**Installation material**



**Integrate, expand and customise - the perfect supplement to every application**

The fully structured range of system accessories for the new Klippon® TB enclosure series allows you to easily adapt the enclosures to meet the specific requirements of every application.

**Mounting hardware kits**

Mounting hardware kits are available for quick and easy installation of type label holders, document holders and rain hoods.

The **label fastening set – SD** is required to install a plastic (Trafolyte) ID or type label. With the aid of this set can you mount the ID or type label directly on the enclosure cover. The label fastening set has been specially developed for this purpose. Only by using this fastening set can you ensure that there will be no leaks into the enclosure or damage to the label.

The **universal fastening set – TPSD** has been developed to enable secure and quick installation of type label holders, rain covers or document holders, for example. By using this fastening set, the risk of leaks can be minimised, if not avoided.

**General ordering data**

Type	FKSC M6X8 D9/SW3	Version	
Order No.	<a href="#">064260000</a>	Klippon TB (Terminal Box), Mounting screw, Material: Steel	
GTIN (EAN)	4008190058258		
Qty.	50 pc(s).		



## KLIPPON POK 081106 EX

**Weidmüller Interface GmbH & Co. KG**

Klingenbergstraße 26

D-32758 Detmold

Germany

[www.weidmueller.com](http://www.weidmueller.com)

## Accessories

### Klippon® POK installation material



The Klippon® POK enclosure range is made from a high-quality glass fibre reinforced polyester and is ideal for applications and environments where corrosion resistance, impact resistance and a high IP protection class are a requirement.

Key features of the extensive product range:

- Available in 17 sizes
- Two standard finishes (colours): grey (similar to RAL 7001 for industrial use) and black (similar to RAL 9011 for harsh environments, Ex)
- Cover with stainless steel screws in cross-head / slotted design
- Moulded gasket made of silicone or chloroprene
- Fixing holes outside the sealed area to ensure high ingress protection of IP66
- Impact resistance up to 7 Joules
- Mounting directly in the enclosure or using an internal mounting plate
- Direct wall mounting possible using fixing holes or mounting feet
- Fastening thread to attach mounting rails and plates
- Up to E60 fire rating dependent on the configuration
- Weidmüller can manufacture and supply this enclosure to match customer specifications - fitted with all necessary terminals and cable glands.

### General ordering data

Type	SD FIXING SET POK	Version
Order No.	<a href="#">1463490000</a>	Klippon POK (polyester empty enclosure), Identification plate fixing set, Height: 12 mm, Width: 12 mm, Depth: 16.4 mm, Material:
GTIN (EAN)	4050118299878	Stainless steel 1.4305 (303), untreated
Qty.	1 pc(s).	
Type	TPSD FIXING SET POK	Version
Order No.	<a href="#">1435840000</a>	Klippon POK (polyester empty enclosure), Type plate fixings set, Height: 12 mm, Width: 12 mm, Depth: 15.06 mm, Material: Stainless steel, rust-proof, untreated
GTIN (EAN)	4050118240771	
Qty.	1 pc(s).	

## KLIPPON POK 081106 EX

**Weidmüller Interface GmbH & Co. KG**  
 Klingenbergstraße 26  
 D-32758 Detmold  
 Germany

www.weidmueller.com

## Accessories

## Klippon® POK mounting plates in combination with earthing plates



The Klippon® POK enclosure range is made from a high-quality glass fibre reinforced polyester and is ideal for applications and environments where corrosion resistance, impact resistance and a high IP protection class are a requirement.

Key features of the extensive product range:

- Available in 17 sizes
- Two standard finishes (colours): grey (similar to RAL 7001 for industrial use) and black (similar to RAL 9011 for harsh environments, Ex)
- Cover with stainless steel screws in cross-head / slotted design
- Moulded gasket made of silicone or chloroprene
- Fixing holes outside the sealed area to ensure high ingress protection of IP66
- Impact resistance up to 7 Joules
- Mounting directly in the enclosure or using an internal mounting plate
- Direct wall mounting possible using fixing holes or mounting feet
- Fastening thread to attach mounting rails and plates
- Up to E60 fire rating dependent on the configuration
- Weidmüller can manufacture and supply this enclosure to match customer specifications - fitted with all necessary terminals and cable glands.

## General ordering data

Type	POK MOPL 0811 MINI	Version
Order No.	<a href="#">1534290000</a>	Klippon POK (polyester empty enclosure), Mounting plate, Height: 98
GTIN (EAN)	4050118337877	mm, Width: 34 mm, Depth: 1.5 mm, Material: Sheet steel, galvanized,
Qty.	1 pc(s).	galvanized, silver

## Screws



Depending on the terminal block or also accessories, we offer different types of screws as additional items or also spare parts.

## General ordering data

Type	FKSC M4X6 D8/SW2	Version
Order No.	<a href="#">1567480000</a>	SAK Series, Allen hex screw, Screws, Number of poles: 1
GTIN (EAN)	4008190033491	
Qty.	100 pc(s).	

## KLIPPON POK 081106 EX

**Weidmüller Interface GmbH & Co. KG**  
 Klingenbergstraße 26  
 D-32758 Detmold  
 Germany

www.weidmueller.com

## Accessories

### Klippon® POK earthing plates



The Klippon® POK enclosure range is made from a high-quality glass fibre reinforced polyester and is ideal for applications and environments where corrosion resistance, impact resistance and a high IP protection class are a requirement.

Key features of the extensive product range:

- Available in 17 sizes
- Two standard finishes (colours): grey (similar to RAL 7001 for industrial use) and black (similar to RAL 9011 for harsh environments, Ex)
- Cover with stainless steel screws in cross-head / slotted design
- Moulded gasket made of silicone or chloroprene
- Fixing holes outside the sealed area to ensure high ingress protection of IP66
- Impact resistance up to 7 Joules
- Mounting directly in the enclosure or using an internal mounting plate
- Direct wall mounting possible using fixing holes or mounting feet
- Fastening thread to attach mounting rails and plates
- Up to E60 fire rating dependent on the configuration
- Weidmüller can manufacture and supply this enclosure to match customer specifications - fitted with all necessary terminals and cable glands.

### General ordering data

Type	KLIPPON COPL 081106	Version
Order No.	<a href="#">1390920000</a>	Klippon POK (polyester empty enclosure), Earthing plate,
GTIN (EAN)	4050118191066	Miscellaneous, Height: 33.5 mm, Width: 131 mm, Depth: 0.8 mm,
Qty.	5 pc(s).	Material: Brass, polished, untreated

**KLIPPON POK 081106 EX****Weidmüller Interface GmbH & Co. KG**

Klingenbergstraße 26

D-32758 Detmold

Germany

www.weidmueller.com

**Accessories****Klippon® POK mounting feet**

The Klippon® POK enclosure range is made from a high-quality glass fibre reinforced polyester and is ideal for applications and environments where corrosion resistance, impact resistance and a high IP protection class are a requirement.

Key features of the extensive product range:

- Available in 17 sizes
- Two standard finishes (colours): grey (similar to RAL 7001 for industrial use) and black (similar to RAL 9011 for harsh environments, Ex)
- Cover with stainless steel screws in cross-head / slotted design
- Moulded gasket made of silicone or chloroprene
- Fixing holes outside the sealed area to ensure high ingress protection of IP66
- Impact resistance up to 7 Joules
- Mounting directly in the enclosure or using an internal mounting plate
- Direct wall mounting possible using fixing holes or mounting feet
- Fastening thread to attach mounting rails and plates
- Up to E60 fire rating dependent on the configuration
- Weidmüller can manufacture and supply this enclosure to match customer specifications - fitted with all necessary terminals and cable glands.

**General ordering data**

Type	MF POK SMALL	Version
Order No.	<a href="#">9510900000</a>	Klippon POK (polyester empty enclosure), Mounting foot, Fixing lugs,
GTIN (EAN)	4032248009749	Height: 10 mm, Width: 38.5 mm, Depth: 5 mm, Material: Stainless
Qty.	1 pc(s).	steel 1.4301, Miscellaneous

## KLIPPON POK 081106 EX

**Weidmüller Interface GmbH & Co. KG**

Klingenbergstraße 26

D-32758 Detmold

Germany

[www.weidmueller.com](http://www.weidmueller.com)

## Accessories

### TS 15



The Klippon® POK enclosure range is made from a high-quality glass fibre reinforced polyester and is ideal for applications and environments where corrosion resistance, impact resistance and a high IP protection class are a requirement.

Key features of the extensive product range:

- Available in 17 sizes
- Two standard finishes (colours): grey (similar to RAL 7001 for industrial use) and black (similar to RAL 9011 for harsh environments, Ex)
- Cover with stainless steel screws in cross-head / slotted design
- Moulded gasket made of silicone or chloroprene
- Fixing holes outside the sealed area to ensure high ingress protection of IP66
- Impact resistance up to 7 Joules
- Mounting directly in the enclosure or using an internal mounting plate
- Direct wall mounting possible using fixing holes or mounting feet
- Fastening thread to attach mounting rails and plates
- Up to E60 fire rating dependent on the configuration
- Weidmüller can manufacture and supply this enclosure to match customer specifications - fitted with all necessary terminals and cable glands.

### General ordering data

Type	TS15X5 ST POK 0811	Version
Order No.	<a href="#">8000003890</a>	Rail, TS 15, Width: 98 mm, without slot, Steel, galvanic zinc plated
GTIN (EAN)	4050118652550	and passivated
Qty.	20 pc(s).	