

**SAIE-7/8B-5-0.2U-H****Weidmüller Interface GmbH & Co. KG**

Klingenbergstraße 26

D-32758 Detmold

Germany

www.weidmueller.com



Various build-in connectors are required for the connections on the device side of the sensor/actuator cabling. These are available in the versions M12, M8 and M5.

**General ordering data**

Version	Built-in plugs, 7/8", Mounting thread: M26 x 1.5, Number of poles: 5, Strand / cable length: 0.2 m
Order No.	<a href="#">1292520000</a>
Type	SAIE-7/8B-5-0.2U-H
GTIN (EAN)	4050118088465
Qty.	1 pc(s).

Creation date December 4, 2023 12:06:51 PM CET

Catalogue status 24.11.2023 / We reserve the right to make technical changes.

## SAIE-7/8B-5-0.2U-H

Weidmüller Interface GmbH &amp; Co. KG

Klingenbergstraße 26

D-32758 Detmold

Germany

www.weidmueller.com

## Technical data

## Dimensions and weights

Net weight	78 g
------------	------

## Technical data customisable plug-in connectors

Cable glands	7/8"	Coding	none
Contact material	CuZn	Contact surface	Gold-plated
Housing main material	Zinc diecast, nickel-plated	Number of poles	5
Plugging cycles	≥ 100	Protection degree	IP67, when screwed in
Rated current	8 A	Rated current	8 A (4- and 5-pole), 10 A (3-pole)
Rated voltage	300 V	Temperature range of housing	-25...+85 °C
Type of connection	Socket connector		

## General data

Cable glands	7/8"
Cable length	0.2 m
Coding	none
Conductor O.D.	-
Connection thread	7/8"
Contact material	CuZn
Contact surface	Gold-plated
Core cross-section	0.75 mm <sup>2</sup>
Housing main material	Zinc diecast, nickel-plated
Material	PUR/ PUR
Mounting thread	M26 x 1.5
Mounting torque	min. 11.8 Nm max. 12 Nm
Mounting torque range	11.8 ... 12 Nm
Number of poles	5
Plugging cycles	≥ 100
Protection degree	IP67, when screwed in
Rated current	8 A
Rated current	8 A (4- and 5-pole), 10 A (3-pole)
Rated impulse voltage	4,000 V
Rated voltage	300 V
Rated voltage	300 V
Rated voltage (UL)	600 V
Strand / cable length	0.2 m
Temperature range of housing	-25...+85 °C
Tightening torque	1.5 Nm
Type of connection	Socket connector

## Classifications

ETIM 6.0	EC002635	ETIM 7.0	EC003570
ETIM 8.0	EC003570	ETIM 9.0	EC003570
ECLASS 9.0	27-44-01-03	ECLASS 9.1	27-44-01-03
ECLASS 10.0	27-44-01-03	ECLASS 11.0	27-44-01-03
ECLASS 12.0	27-44-01-03	ECLASS 13.0	27440103

**Data sheet**

**SAIE-7/8B-5-0.2U-H**

**Weidmüller Interface GmbH & Co. KG**  
 Klingenbergstraße 26  
 D-32758 Detmold  
 Germany

www.weidmueller.com

**Technical data**

**Environmental Product Compliance**

REACH SVHC	Lead 7439-92-1
SCIP	7baf363e-d867-435e-844e-c01f32ebf146

**Approvals**

Approvals



ROHS	Conform
UL File Number Search	UL Website
Certificate No. (cURus)	E307231

**Downloads**

Engineering Data	<a href="#">CAD data – STEP</a>
Catalogues	<a href="#">Catalogues in PDF-format</a>
Brochures	<a href="#">FL FIELDWIRING EN</a> <a href="#">FL FIELDWIRING EN</a>

**Data sheet**

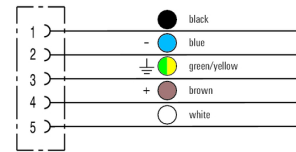
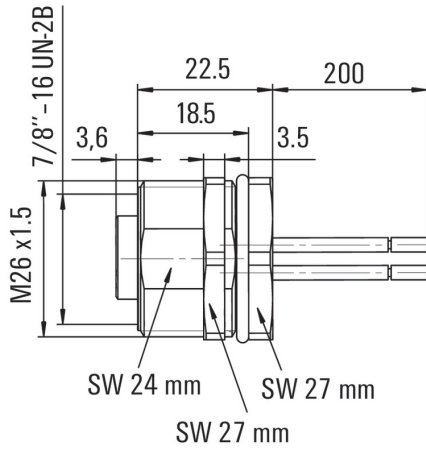
**SAIE-7/8B-5-0.2U-H**

**Weidmüller Interface GmbH & Co. KG**  
 Klingenbergstraße 26  
 D-32758 Detmold  
 Germany

www.weidmueller.com

**Drawings**

**Wiring diagram**



**Pole scheme**

