

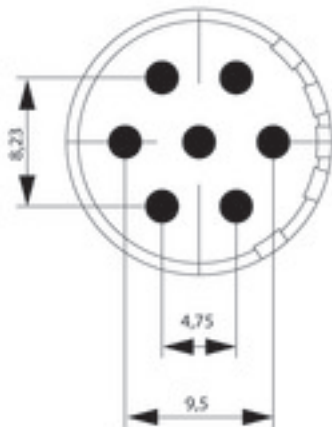
**SAI-M23-BE-7-F****Weidmüller Interface GmbH & Co. KG**

Klingenbergstraße 26

D-32758 Detmold

Germany

www.weidmueller.com



The M23 round plug-in connectors offer a high number of mating cycles, high current-carrying capacity and high contact-density coupled with minimum dimensions. Enclosures, inserts and crimp contacts need to be ordered separately.

**General ordering data**

Version	Sensor/Actuator plug-in connector
Order No.	<a href="#">1224080000</a>
Type	SAI-M23-BE-7-F
GTIN (EAN)	4050118008067
Qty.	1 pc(s).

## SAI-M23-BE-7-F

Weidmüller Interface GmbH &amp; Co. KG

Klingenbergstraße 26

D-32758 Detmold

Germany

www.weidmueller.com

## Technical data

## Dimensions and weights

Net weight 12 g

## Technical data customisable plug-in connectors

Coding	none	Contact material	Copper-Zinc alloy
Contact surface	Gold-plated	Housing main material	Thermoplastic polyamide PA 6, PBT
Number of poles	7	Plugging cycles	> 1000
Pollution severity	3	Rated current	20 A
Rated voltage	300 V	Type of connection	Solder cups

## Classifications

ETIM 6.0	EC000438	ETIM 7.0	EC003557
ETIM 8.0	EC003557	ETIM 9.0	EC003557
ECLASS 9.1	27-44-02-05	ECLASS 10.0	27-44-02-23
ECLASS 11.0	27-44-02-23	ECLASS 12.0	27-44-02-23
ECLASS 13.0	27440223		

## Environmental Product Compliance

REACH SVHC Lead 7439-92-1

## Approvals

Approvals



ROHS	Conform
UL File Number Search	UL Website
Certificate No. (UR)	E344862

## Downloads

Engineering Data	<a href="#">CAD data – STEP</a>
Catalogues	<a href="#">Catalogues in PDF-format</a>
Brochures	<a href="#">FL FIELDWIRING EN</a> <a href="#">FL FIELDWIRING EN</a>

**Data sheet**

**SAI-M23-BE-7-F**

**Weidmüller Interface GmbH & Co. KG**  
Klingenbergstraße 26  
D-32758 Detmold  
Germany

[www.weidmueller.com](http://www.weidmueller.com)

**Drawings**

