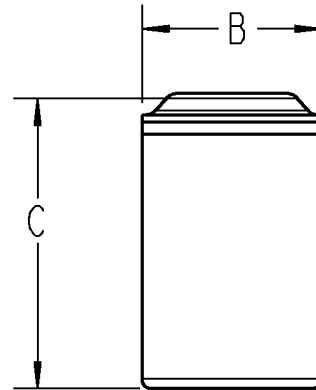
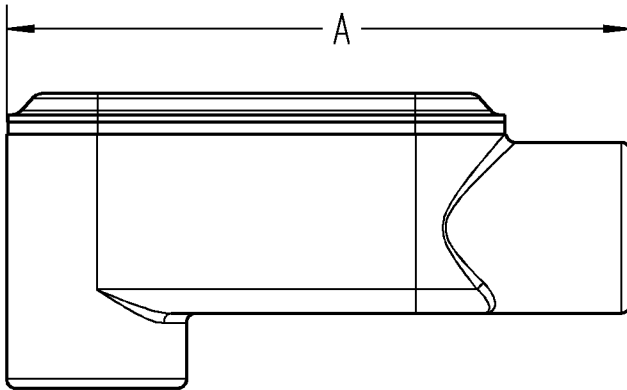


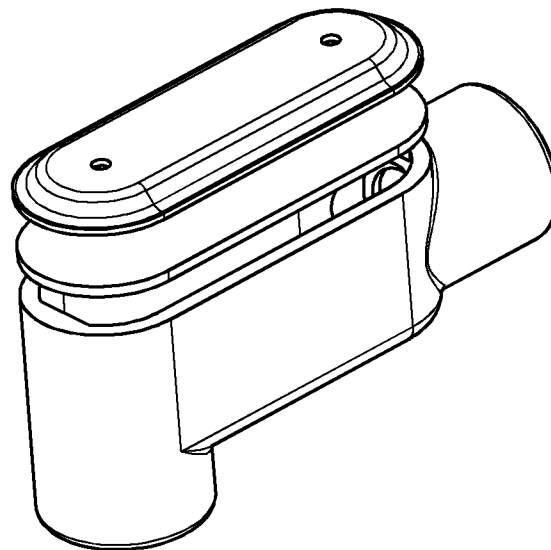


# T&B Conduit Bodies



### NOTES:

1. ALL DIMENSIONS APPROXIMATE
2. MATERIAL:  
BODY - MALLEABLE IRON  
COVER - STEEL  
GASKET - NEOPRENE
3. FINISH:  
COVER - ZINC PLATED  
BODY - ZINC PLATED WITH  
SECONDARY PAINTING
4. ALL THREADED HUBS HAVE  
TAPERED THREADS



LB200MCG	2" TYPE LB	10.500 (266.7)	3.125 (79.4)	4.313 (109.5)
LB150MCG	1-1/2" TYPE LB	8.125 (206.4)	2.625 (66.7)	2.813 (71.4)
LB125MCG	1-1/4" TYPE LB	8.125 (206.4)	2.625 (66.7)	2.750 (69.9)
LB100MCG	1" TYPE LB	6.188 (157.2)	1.813 (46.1)	2.625 (66.7)
LB75MCG	3/4" TYPE LB	5.375 (136.5)	1.500 (38.1)	2.250 (57.2)
LB50MCG	1/2" TYPE LB	4.688 (119.1)	1.313 (33.3)	2.063 (52.4)
CAT #	DESCRIPTION	DIM A	DIM B	DIM C

### GENERAL NOTES

1. ALL DIMENSIONS ARE FOR REFERENCE ONLY.
2. DIMENSIONS IN BRACKETS [ ] ARE IN METRIC UNITS.

### REVISIONS

- |   |  |
|---|--|
| - | SEE ERN (****) FOR APPROVAL SIGNATURES & RELEASE DATE.<br>PROJECT NO: **** |
|---|--|

**Thomas & Betts**  
www.tnb.com

DESCRIPTION:

## SERIES 35 CONDUIT BODY UNIPAKS

ORIGINAL PROJECT NO / ( ERN NO )

**RD55727 / ( 2007371 )**

SHEET NO:

**1 OF 7**

REV. NO:

**-**

DRAWING NO:

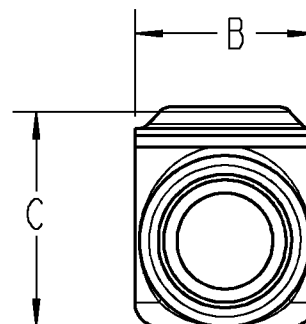
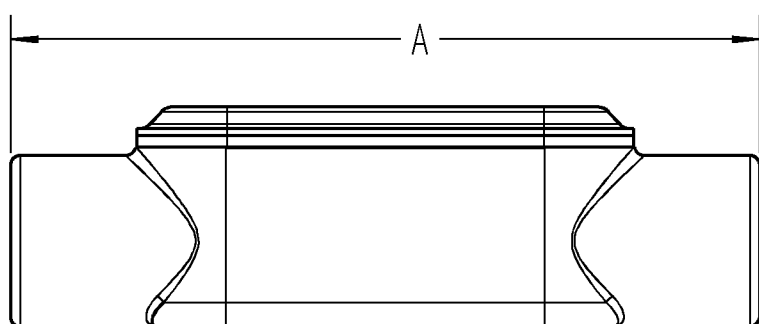
**WSD-000301**

THIS DRAWING IS INTENDED FOR DESCRIPTIVE PURPOSES ONLY. AND THE RIGHT IS RESERVED TO DEVIATE FROM ANY OF THE DETAILS SHOWN HEREON.

©2006 Thomas & Betts - Proprietary, All Rights Reserved

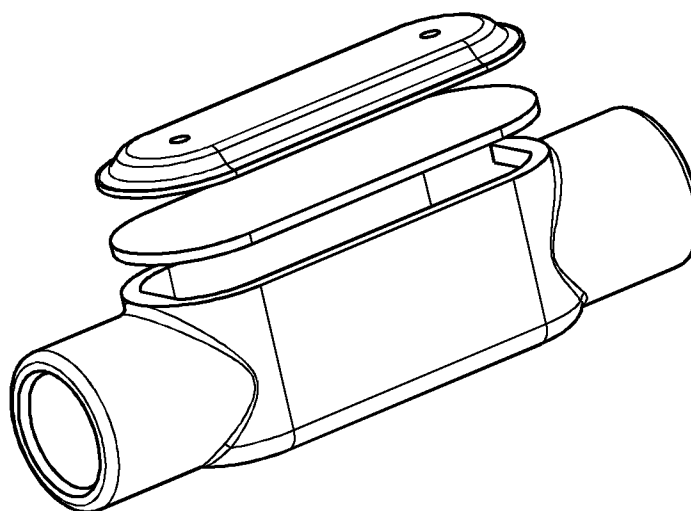


# T&B Conduit Bodies



### NOTES:

1. ALL DIMENSIONS APPROXIMATE
2. MATERIAL:  
BODY - MALLEABLE IRON  
COVER - STEEL  
GASKET - NEOPRENE
3. FINISH:  
COVER - ZINC PLATED  
BODY - ZINC PLATED WITH  
SECONDARY PAINTING
4. ALL THREADED HUBS HAVE  
TAPERED THREADS



C200MCG	2" TYPE C	11.5 (292.1)	3.125 (79.4)	3.313 (84.1)
C150MCG	1-1/2" TYPE C	9.000 (228.6)	2.625 (66.7)	2.813 (71.4)
C125MCG	1-1/4" TYPE C	9.000 (228.6)	2.625 (66.7)	2.750 (69.9)
C100MCG	1" TYPE C	7.063 (179.4)	1.813 (46.1)	1.875 (47.6)
C75MCG	3/4" TYPE C	6.000 (152.4)	1.500 (38.1)	1.688 (42.9)
C50MCG	1/2" TYPE C	5.375 (136.5)	1.313 (33.3)	1.375 (34.9)
CAT #	DESCRIPTION	DIM A	DIM B	DIM C

**Thomas & Betts**  
www.tnb.com

DESCRIPTION:

**SERIES 35 CONDUIT  
BODY UNIPAKS**

SHEET NO:

2 OF 7

REV. NO:

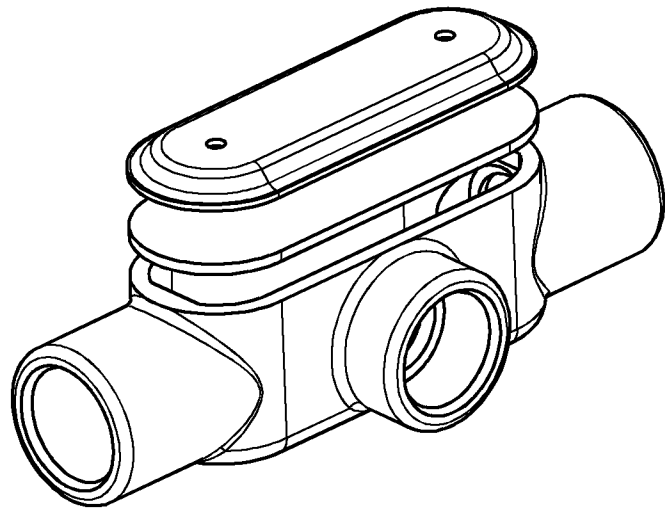
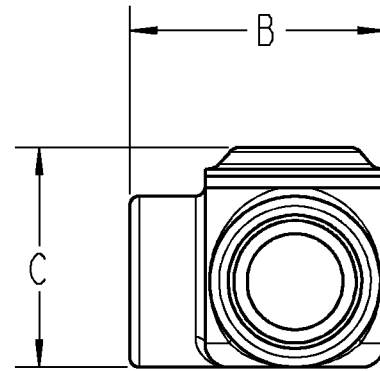
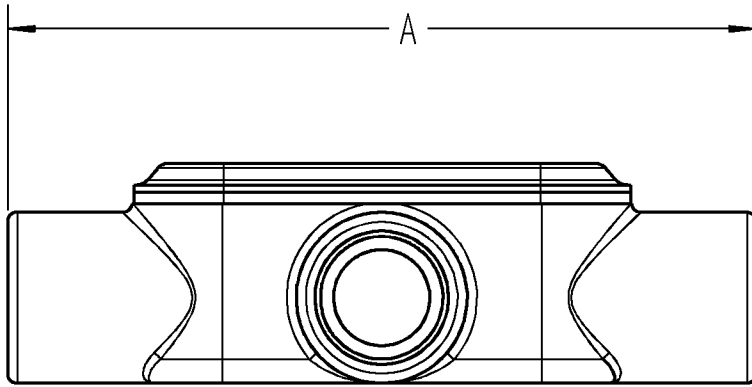
-

DRAWING NO:

**WSD-000301**



# T&B Conduit Bodies



### NOTES:

1. ALL DIMENSIONS APPROXIMATE
2. MATERIAL:  
BODY - MALLEABLE IRON  
COVER - STEEL  
GASKET - NEOPRENE
3. FINISH:  
COVER - ZINC PLATED  
BODY - ZINC PLATED WITH  
SECONDARY PAINTING
4. ALL THREADED HUBS HAVE  
TAPERED THREADS

T200MCG	2" TYPE T	11.5 (292.1)	4.125 (104.8)	3.313 (84.1)
T150MCG	1-1/2" TYPE T	9.000 (228.6)	3.500 (88.9)	2.813 (71.4)
T125MCG	1-1/4" TYPE T	9.000 (228.6)	2.750 (69.9)	2.750 (69.9)
T100MCG	1" TYPE T	7.063 (179.4)	2.625 (66.7)	1.875 (47.6)
T75MCG	3/4" TYPE T	6.000 (152.4)	2.250 (57.2)	1.688 (42.9)
T50MCG	1/2" TYPE T	5.375 (136.5)	2.063 (52.4)	1.375 (34.9)
CAT #	DESCRIPTION	DIM A	DIM B	DIM C

**Thomas & Betts**  
www.tnb.com

DESCRIPTION:

**SERIES 35 CONDUIT  
BODY UNIPAKS**

SHEET NO:

3 OF 7

REV. NO:

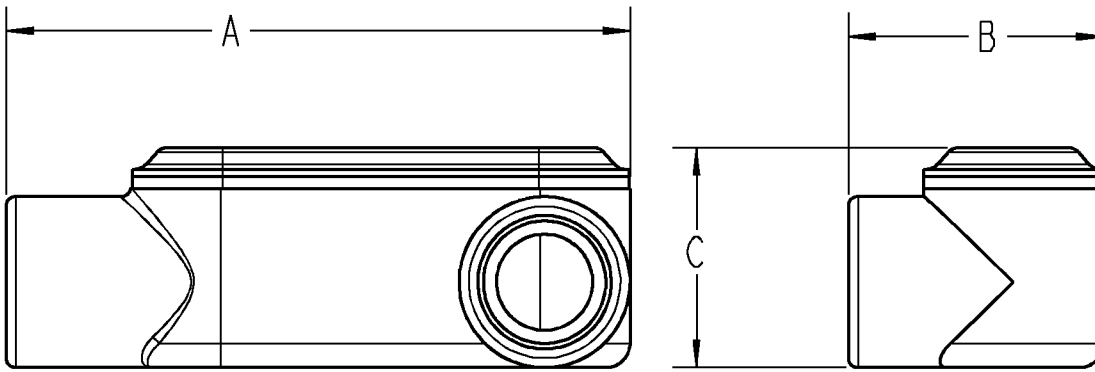
-

DRAWING NO:

**WSD-000301**

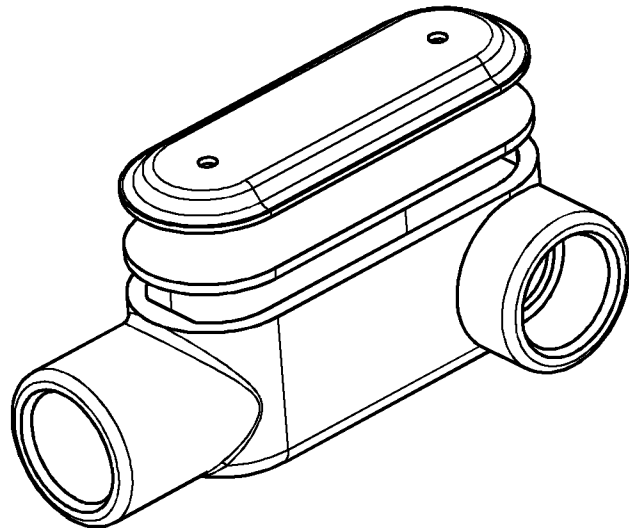


# T&B Conduit Bodies



### NOTES:

1. ALL DIMENSIONS APPROXIMATE
2. MATERIAL:  
BODY - MALLEABLE IRON  
COVER - STEEL  
GASKET - NEOPRENE
3. FINISH:  
COVER - ZINC PLATED  
BODY - ZINC PLATED WITH  
SECONDARY PAINTING
4. ALL THREADED HUBS HAVE  
TAPERED THREADS



LL200MCG	2" TYPE LL	10.500 (266.7)	4.125 (104.8)	4.313 (109.5)
LL150MCG	1-1/2" TYPE LL	8.125 (206.4)	3.500 (88.9)	2.813 (71.4)
LL125MCG	1-1/4" TYPE LL	8.125 (206.4)	2.750 (69.9)	2.750 (69.9)
LL100MCG	1" TYPE LL	6.188 (157.2)	2.625 (66.7)	1.875 (47.6)
LL75MCG	3/4" TYPE LL	5.375 (136.5)	2.250 (57.2)	1.688 (42.9)
LL50MCG	1/2" TYPE LL	4.688 (119.1)	2.063 (52.4)	1.375 (34.9)
CAT #	DESCRIPTION	DIM A	DIM B	DIM C

**Thomas & Betts**  
www.tnb.com

DESCRIPTION:

**SERIES 35 CONDUIT  
BODY UNIPAKS**

SHEET NO:

4 OF 7

REV. NO:

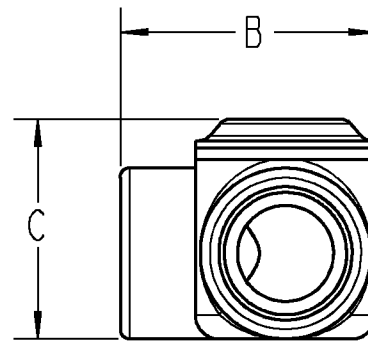
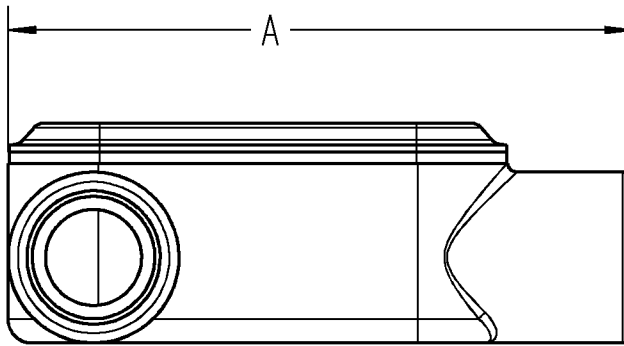
-

DRAWING NO:

**WSD-000301**

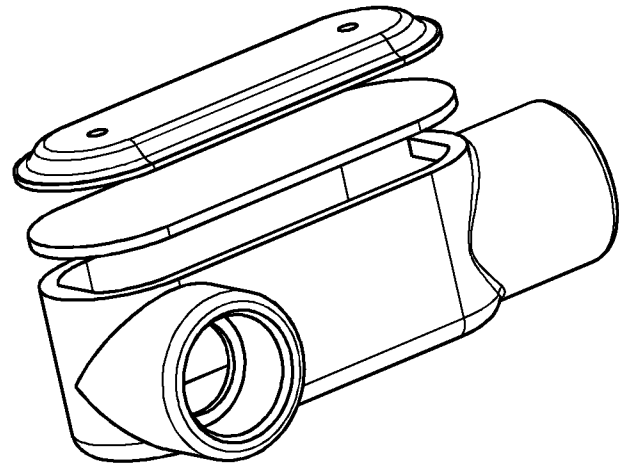


# T&B Conduit Bodies



### NOTES:

1. ALL DIMENSIONS APPROXIMATE
2. MATERIAL:  
BODY - MALLEABLE IRON  
COVER - STEEL  
GASKET - NEOPRENE
3. FINISH:  
COVER - ZINC PLATED  
BODY - ZINC PLATED WITH  
SECONDARY PAINTING
4. ALL THREADED HUBS HAVE  
TAPERED THREADS



LR200MCG	2" TYPE LR	10.500 (266.7)	4.125 (104.8)	4.313 (109.5)
LR150MCG	1-1/2" TYPE LR	8.125 (206.4)	3.500 (88.9)	2.813 (71.4)
LR125MCG	1-1/4" TYPE LR	8.125 (206.4)	2.750 (69.9)	2.750 (69.9)
LR100MCG	1" TYPE LR	6.188 (157.2)	2.625 (66.7)	1.875 (47.6)
LR75MCG	3/4" TYPE LR	5.375 (136.5)	2.250 (57.2)	1.688 (42.9)
LR50MCG	1/2" TYPE LR	4.688 (119.1)	2.063 (52.4)	1.375 (34.9)
CAT #	DESCRIPTION	DIM A	DIM B	DIM C

**Thomas & Betts**  
www.tnb.com

DESCRIPTION:

**SERIES 35 CONDUIT  
BODY UNIPAKS**

SHEET NO:

5 OF 7

REV. NO:

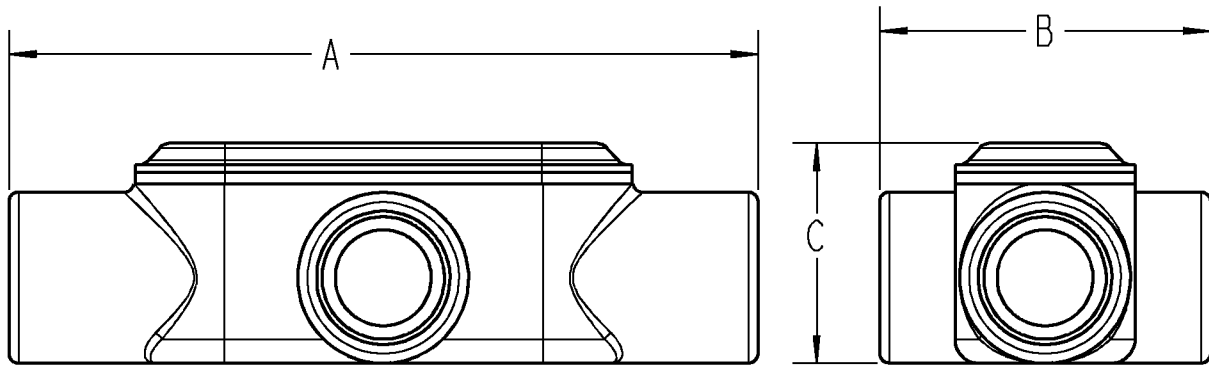
-

DRAWING NO:

**WSD-000301**

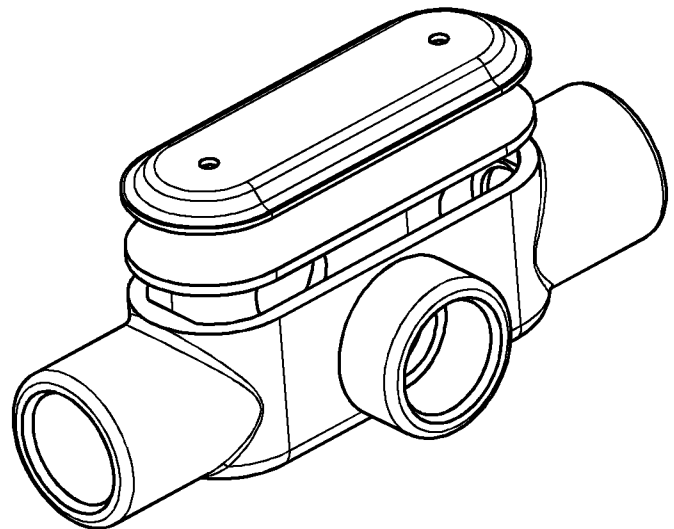


# T&B Conduit Bodies



### NOTES:

1. ALL DIMENSIONS APPROXIMATE
2. MATERIAL:  
 BODY - MALLEABLE IRON  
 COVER - STEEL  
 GASKET - NEOPRENE
3. FINISH:  
 COVER - ZINC PLATED  
 BODY - ZINC PLATED WITH  
 SECONDARY PAINTING
4. ALL THREADED HUBS HAVE  
 TAPERED THREADS



X200MCG	2" TYPE X	11.5 (292.1)	5.375 (136.5)	3.313 (84.1)
X150MCG	1-1/2" TYPE X	9.000 (228.6)	4.438 (112.7)	2.813 (71.4)
X125MCG	1-1/4" TYPE X	9.000 (228.6)	4.438 (112.7)	2.750 (69.9)
X100MCG	1" TYPE X	7.063 (179.4)	3.563 (90.5)	1.875 (47.6)
X75MCG	3/4" TYPE X	6.000 (152.4)	2.938 (74.6)	1.688 (42.9)
X50MCG	1/2" TYPE X	5.375 (136.5)	2.813 (71.5)	1.375 (34.9)
CAT #	DESCRIPTION	DIM A	DIM B	DIM C

**Thomas & Betts**  
www.tnb.com

DESCRIPTION:

**SERIES 35 CONDUIT  
BODY UNIPAKS**

SHEET NO:

6 OF 7

REV. NO:

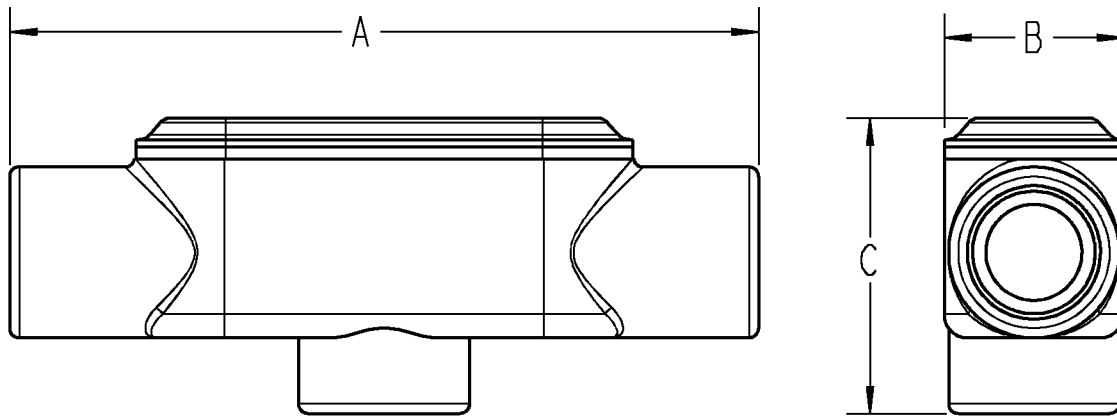
-

DRAWING NO:

**WSD-000301**

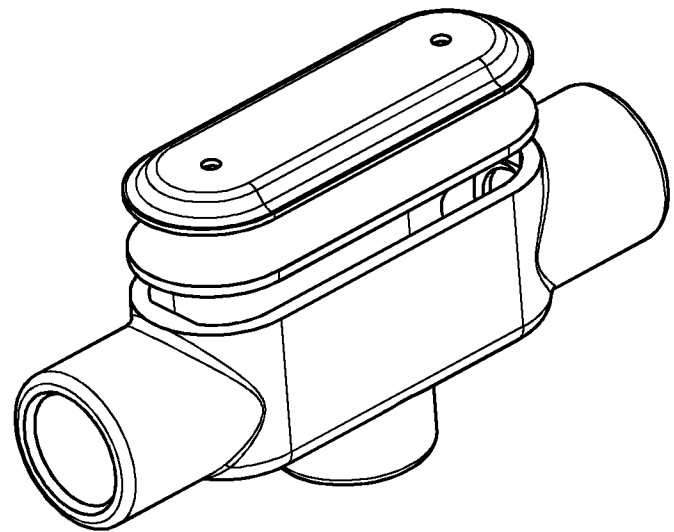


# T&B Conduit Bodies



### NOTES:

1. ALL DIMENSIONS APPROXIMATE
2. MATERIAL:  
 BODY - MALLEABLE IRON  
 COVER - STEEL  
 GASKET - NEOPRENE
3. FINISH:  
 COVER - ZINC PLATED  
 BODY - ZINC PLATED WITH  
 SECONDARY PAINTING
4. ALL THREADED HUBS HAVE  
 TAPERED THREADS



TB200MCG	2" TYPE TB	11.5 (292.1)	3.125 (79.4)	4.313 (109.5)
TB150MCG	1-1/2" TYPE TB	9.000 (228.6)	2.625 (66.7)	2.813 (71.4)
TB125MCG	1-1/4" TYPE TB	9.000 (228.6)	2.625 (66.7)	2.750 (69.9)
TB100MCG	1" TYPE TB	7.063 (179.4)	1.813 (46.1)	2.625 (66.7)
TB75MCG	3/4" TYPE TB	6.000 (152.4)	1.500 (38.1)	2.250 (57.2)
TB50MCG	1/2" TYPE TB	5.375 (136.5)	1.313 (33.3)	2.063 (52.4)
CAT #	DESCRIPTION	DIM A	DIM B	DIM C

**Thomas & Betts**  
www.tnb.com

DESCRIPTION:

**SERIES 35 CONDUIT  
BODY UNIPAKS**

SHEET NO:

7 OF 7

REV. NO:

-

DRAWING NO:

**WSD-000301**