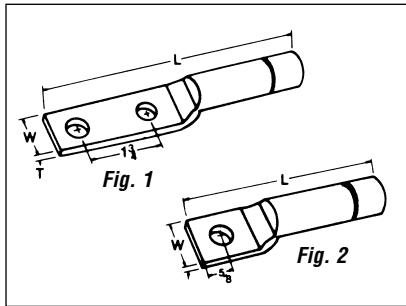


Type ALS—Aluminum Compression Terminal Lugs



- For aluminum and copper conductor.
- NEMA Standard mounting holes
- Prefilled with oxide inhibitor
- Complete die and crimp information clearly indented on each lug
- Installed with standard tools and dies

- Use ½" mounting hardware for all sizes
- Available tin plated; add suffix P to catalogue number

Cat. No.		Conductor Range					Installation Dies		Dimensions												
2 Hole (Fig. 1)	1 Hole (Fig. 2)	ACSR	AWG (Stranded)	Compact	Diameter (in.)		Mech. Tool	Hyd. Tool	W	L	T (Pad Thick- ness)										
					min.	max.															
	AL581	4	4	—	.277	.213	⅝ Peach BG WBG G TU	B58CS U-BG	⅜	2 37/64 4 37/64 2 37/64 4 37/64 2 37/64 4 37/64	1/4										
AL582	AL583																				
AL584	AL585																				
AL586	AL585																				
ALS1	ALS2	4	4 2 Solid	4	.258	.232						840 K840 845 TX	840 B49EA EEI 11A K840 249 76 CSA24	⅜	3 1/4 5 1/4 3 1/4 5 1/4 3 1/4 5 1/4 3 1/4 5 1/4 3 1/4 5 1/4 3 1/4 5 1/4						
ALS3	ALS4																				
ALS5	ALS6																				
ALS7	ALS8																				
ALS9	ALS10																				
ALS11	ALS12																				
ALS13	ALS14	3/0, 4/0	3/0, 4/0 250 KCMIL	250 300 KCMIL	.575	.464	—	B80EA EEI 13A 655 1 1/8 321 96H CSA 26	1/4	4 5/8 6 4 5/8 6 4 5/8 6	3/8										
ALS15	ALS16																				
ALS17	ALS18																				
ALS19	ALS20																				
ALS23	ALS24	397 30/7, 26 1/2, 18 1/4 477 18 1/4	450-500	550-600	.814	.743										—	B20AH EEI 14A 318 1 1/8 CSA 28 106H	1 3/8	5 1/16 6 7/8	1/16	
ALS28	ALS32																				
ALS44	ALS60*	636 29/7, 715 54/7 666 29/7, 54 1/2	750-800	900	1.031	.990						—	1 1/2 6024 125H CSA 30	1 5/8	7 1/4						5/8

* For aluminum conductor only.