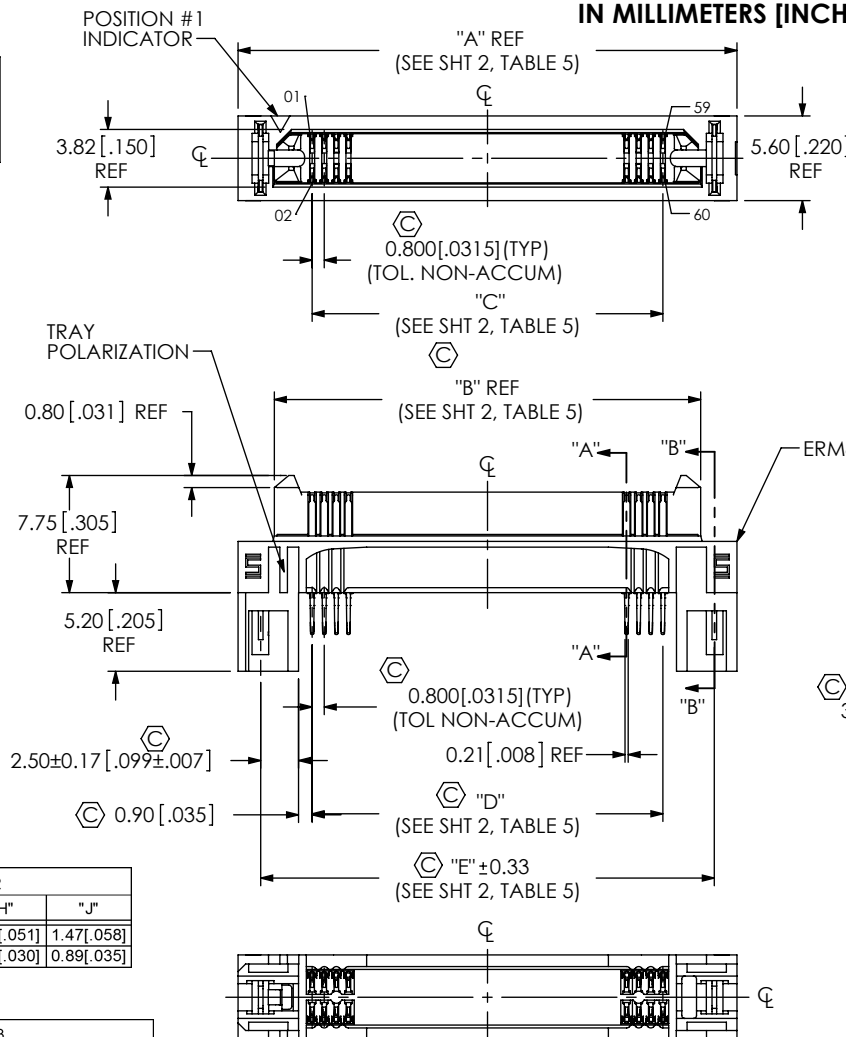


DESIGNED AND DIMENSIONS IN MILLIMETERS [INCHES]

ERM8-XXX-01-X-D-EMX-XXXX-TR

DO NOT SCALE FROM THIS PRINT



No OF POSITIONS (PER ROW)
 -005, -010, -011, -013, -020, -025, -030, -035, -040, -049, -050, -060, -070, -075, **-100

LEAD STYLE
 -01

PLATING SPECIFICATION
 -L: LIGHT SELECTIVE GOLD / MATTE TIN (USE T-1M47-XX-L)
 -S: SELECTIVE GOLD / MATTE TIN (USE T-1M47-XX-S)

ROW SPECIFICATON
 -D: DOUBLE

PACKAGING
 -TR: TAPE & REEL
 STANDARD PACKAGING (SEE NOTES 5 & 6)
 -TY: TRAY (SEE NOTE 6)

OPTIONS

-DS: DIFFERENTIAL PAIR (HOT SWAP) (AVAILABLE IN -010, -013, -025, -040 AND -049 POSITIONS ONLY)

-L: LATCHES

-SL: SQUEEZE LATCH (SEE FIG 3) (USE WT-29-07-H)

-EGPS: EXTENDED GUIDE POST SHIELD (SEE SHEET 4, FIG. 4) (AVAILABLE IN -010, -020, -025, AND -30 POSITIONS ONLY)

-DSS: DIFFERENTIAL PAIR AND EXTENDED GUIDE POST SHIELD (AVAILABLE IN -010 & -025 POSITIONS ONLY)

TAIL SPECIFICATION
 -EM2: 1.58mm(.062) THICK PCB
 *-EM4: 1.00mm(.039) THICK PCB

* = NOT TOOLED
 ** = NOT RELEASED

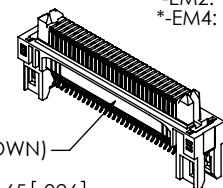
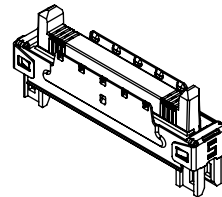


TABLE 2

BOARD	"G"	"H"	"J"
-EM2	2.77[.109]	1.30[.051]	1.47[.058]
*-EM4	2.62[.103]	0.77[.030]	0.89[.035]

(* = NOT TOOLED)

TABLE 3

ASSEMBLY P/N	WELD TAB P/N
ERM8-XXX-01-X-D-EM2	WT-29-04-F
ERM8-XXX-01-X-D-EM2-SL	WT-29-07-H
* ERM8-XXX-01-X-D-EM4	WT-29-05-F
ERM8-XXX-01-X-D-EM2-L	WT-29-01-F
* ERM8-XXX-01-X-D-EM4-L	WT-29-02-F
ERM8-XXX-01-X-D-EM2-EGPS	SH29-XX03-N
ERM8-XXX-01-X-D-EM4-EGPS	SH29-XX04-N

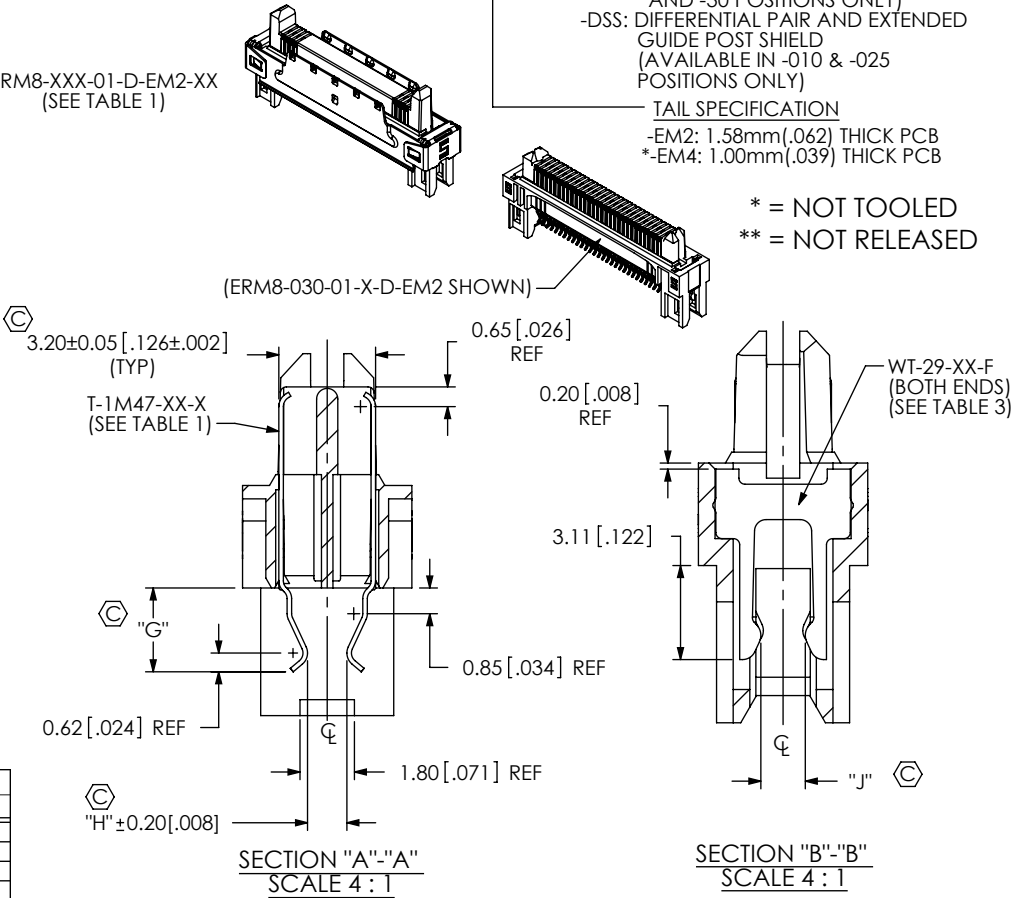
(* = NOT TOOLED)

FIG 1 (ERM8-030-01-X-D-EM2 SHOWN) (SOME CENTER FEATURES NOT SHOWN FOR CLARITY)

TABLE 1

OPTION	TAIL OPTION	BODY P/N	CONTACT P/N
NONE, -L, -SL, OR -EGPS	-EM2	ERM8-XXX-01-D-EM2	T-1M47-01-X
	*-EM4	ERM8-XXX-01-D-EM4	T-1M47-02-X
	-EM2	ERM8-XXX-01-D-EM2	T-1M47-03-X
	*-EM4	ERM8-XXX-01-D-EM4	T-1M47-04-X

(* = NOT TOOLED)



SECTION "A"-"A" SCALE 4:1

SECTION "B"-"B" SCALE 4:1

- NOTES:
- ⊕ REPRESENTS A CRITICAL DIMENSION.
 - BURR ALLOWANCE: 0.038[.0015] MAX.
 - MINIMUM PUSHOUT FORCE:
 SIGNAL 2.22 N [.5 LB.],
 WELD TAB 4.45N [1 LB.].
 - NOTE DELETED.
 - FOR QUANTITIES UP TO 49 PIECES, NO LEADER, TRAILER, OR EIA-481-D REEL WILL BE SUPPLIED.
 FOR QUANTITIES OF 50-124 PIECES, NO LEADER OR TRAILER WILL BE SUPPLIED.
 - TR PACKAGING NOT AVAILABLE ON THE -100 POSITION; TY AVAILABLE ON -100 POSITION ONLY.

UNLESS OTHERWISE SPECIFIED, DIMENSIONS ARE IN MILLIMETERS [INCHES].
 TOLERANCES ARE:
 DECIMALS ANGLES
 X.X: ±0.3 [.01] 2°
 X.XX: ±0.13 [.005]
 X.XXX: ±0.050 [.0020]

PROPRIETARY NOTE
 THIS DOCUMENT CONTAINS INFORMATION CONFIDENTIAL AND PROPRIETARY TO SAMTEC, INC. AND SHALL NOT BE REPRODUCED OR TRANSFERRED TO OTHER DOCUMENTS OR DISCLOSED TO OTHERS OR USED FOR ANY PURPOSE OTHER THAN THAT WHICH IT WAS OBTAINED WITHOUT THE EXPRESSED WRITTEN CONSENT OF SAMTEC, INC.

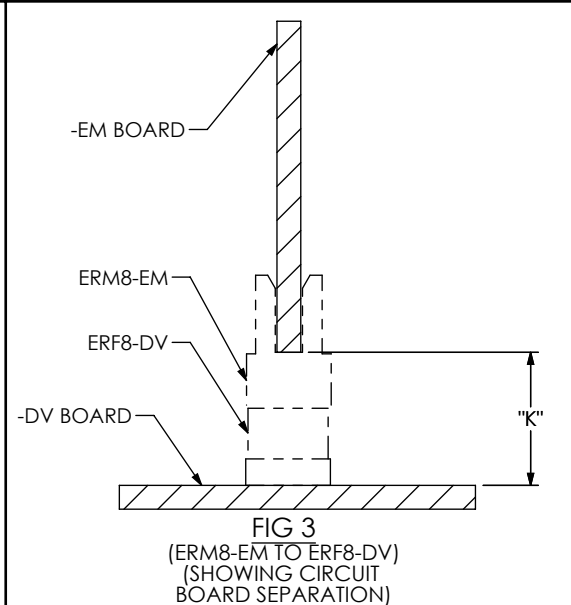
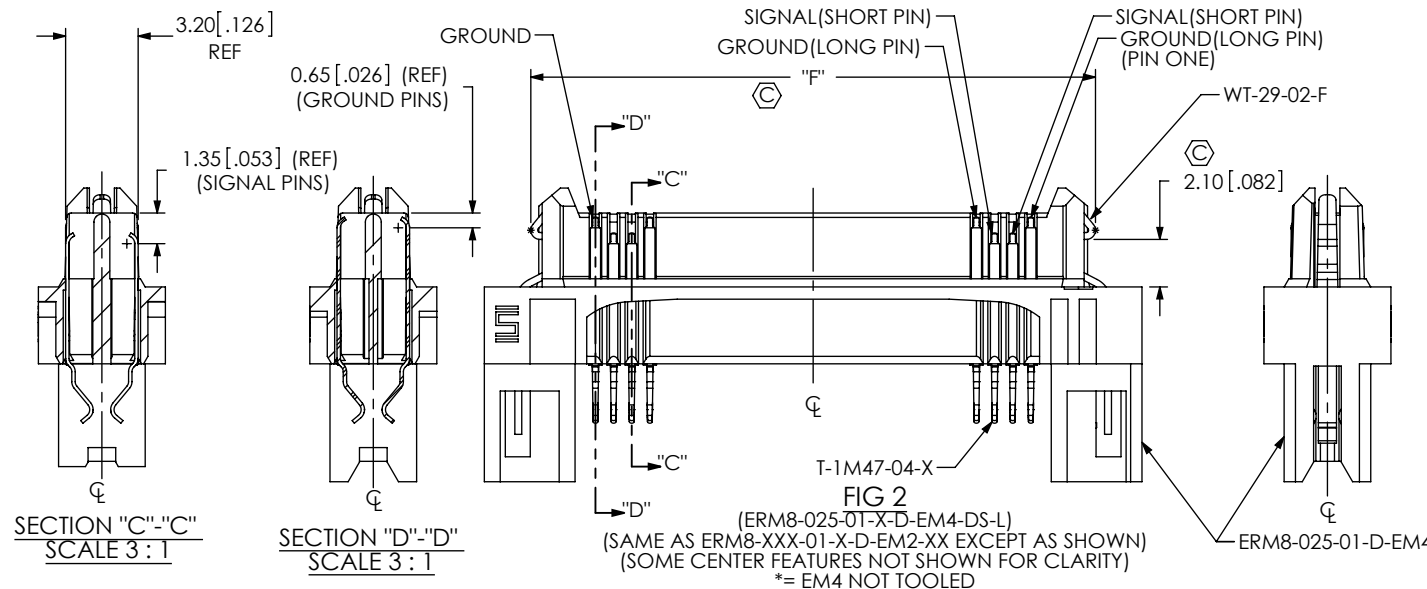
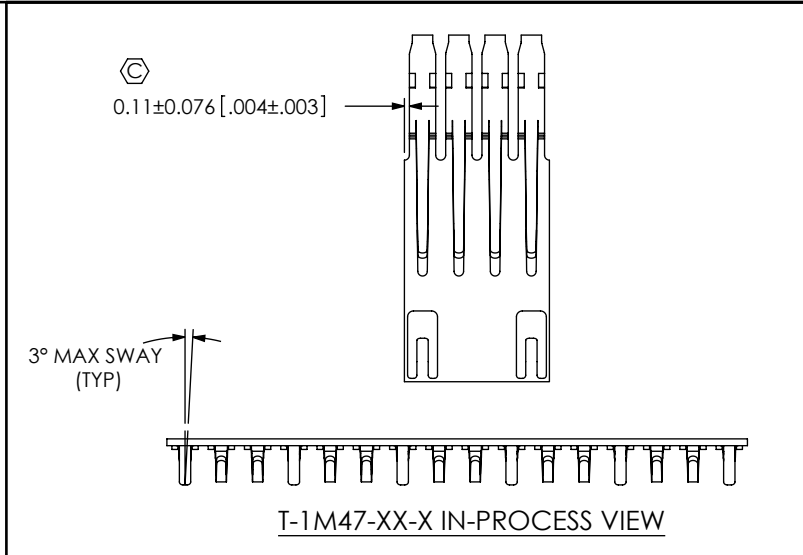


520 PARK EAST BLVD, NEW ALBANY, IN 47150
 PHONE: 812-944-6733 FAX: 812-948-5047
 e-Mail: info@SAMTEC.com code: 55322

MATERIAL: DO NOT SCALE DRAWING SHEET SCALE: 2:1
 INSULATOR: LCP UL94V-0, COLOR: BLACK
 TERMINALS: PHOS BRONZE
 LATCHES: BeCu
 SHIELD: PHOS BRONZE

DESCRIPTION:
 0.8MM EDGE RATE TERMINAL ASSEMBLY
 DWG. NO.
 ERM8-XXX-01-X-D-EMX-XXXX-TR
 BY: C. PIERCE 10/23/2006 SHEET 1 OF 4

POSITION	"A"	"B"	"C"	"D"	"E"	"F"
-005	13.00 [.512]	8.20 [.323]	3.200 [.1260]	3.200 [.1260]	10.0 [.394]	8.90[0.350]
-010	17.00 [.669]	12.20 [.480]	7.200 [.2835]	7.200 [.2835]	14.0 [.551]	12.90[0.508]
-011	17.80 [.700]	13.00 [.519]	8.000 [.3150]	8.000 [.3150]	14.8 [.583]	13.70 [.539]
-013	19.40 [.764]	14.60 [.575]	9.600 [.3780]	9.600 [.3780]	16.4 [.646]	15.30[0.602]
-020	25.00 [.984]	20.20 [.796]	15.200 [.5984]	15.200 [.5984]	22.0 [.866]	20.90[0.823]
-025	29.00 [1.142]	24.20 [.953]	19.200 [.7559]	19.200 [.7559]	26.0 [1.024]	24.90[0.980]
-030	33.00 [1.299]	28.20 [1.110]	23.200 [.9134]	23.200 [.9134]	30.0 [1.181]	28.90[1.138]
-035	37.00 [1.457]	32.20 [1.268]	27.200 [1.0709]	27.200 [1.0709]	34.0 [1.339]	32.90 [1.295]
-040	41.00 [1.614]	36.20 [1.425]	31.200 [1.2283]	31.200 [1.2283]	38.0 [1.496]	36.90[1.453]
-049	48.20 [1.898]	43.40 [1.709]	38.400 [1.5118]	38.400 [1.5118]	45.2 [1.780]	44.10[1.736]
-050	49.00 [1.929]	44.20 [1.740]	39.200 [1.5433]	39.200 [1.5433]	46.0 [1.811]	44.90[1.768]
-060	57.00 [2.244]	52.20 [2.055]	47.200 [1.8583]	47.200 [1.8583]	54.0 [2.126]	52.90[2.083]
-070	65.00 [2.559]	60.20 [2.370]	55.200 [2.1732]	55.200 [2.1732]	62.0 [2.441]	60.90[2.398]
-075	69.00 [2.717]	64.20 [2.528]	59.200 [2.3307]	59.200 [2.3307]	66.0 [2.598]	64.90[2.555]
** -100	89.00 [3.504]	84.20 [3.315]	79.200 [3.1181]	79.200 [3.1181]	86.0 [3.386]	84.90[3.343]



PCB SPACING	ERM8-EM ASSY
	"K"
ERF8-XXX-05.0-X-DV-XX	8.81 [.347]
ERF8-XXX-07.0-X-DV-XX	10.76 [.424]

PROPRIETARY NOTE
THIS DOCUMENT CONTAINS INFORMATION CONFIDENTIAL AND PROPRIETARY TO SAMTEC, INC. AND SHALL NOT BE REPRODUCED OR TRANSFERRED TO OTHER DOCUMENTS OR DISCLOSED TO OTHERS OR USED FOR ANY PURPOSE OTHER THAN THAT WHICH IT WAS OBTAINED WITHOUT THE EXPRESSED WRITTEN CONSENT OF SAMTEC, INC.

DO NOT SCALE DRAWING

SHEET SCALE: 2:1

samtec

520 PARK EAST BLVD. NEW ALBANY, IN 47150
PHONE: 812-944-6733 FAX: 812-948-5047
e-Mail: info@SAMTEC.com code: 55322

DESCRIPTION:
0.8MM EDGE RATE TERMINAL ASSEMBLY

DWG. NO.
ERM8-XXX-01-X-D-EMX-XXXX-TR

BY: C. PIERCE 10/23/2006 SHEET 2 OF 4

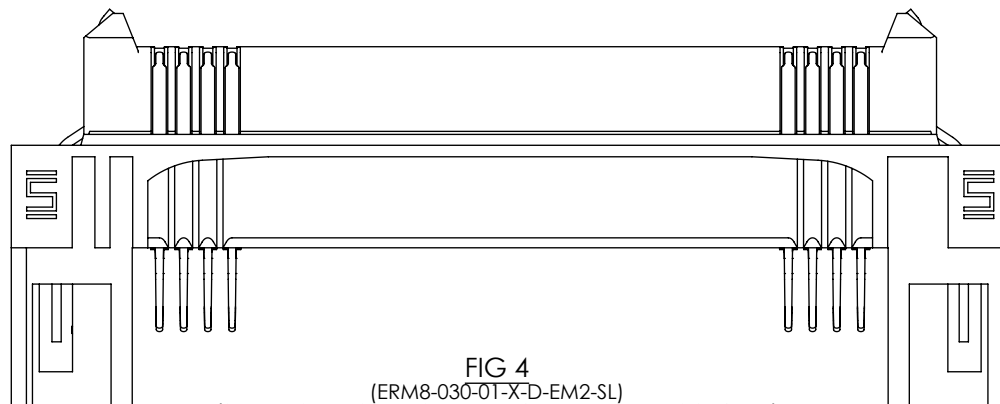
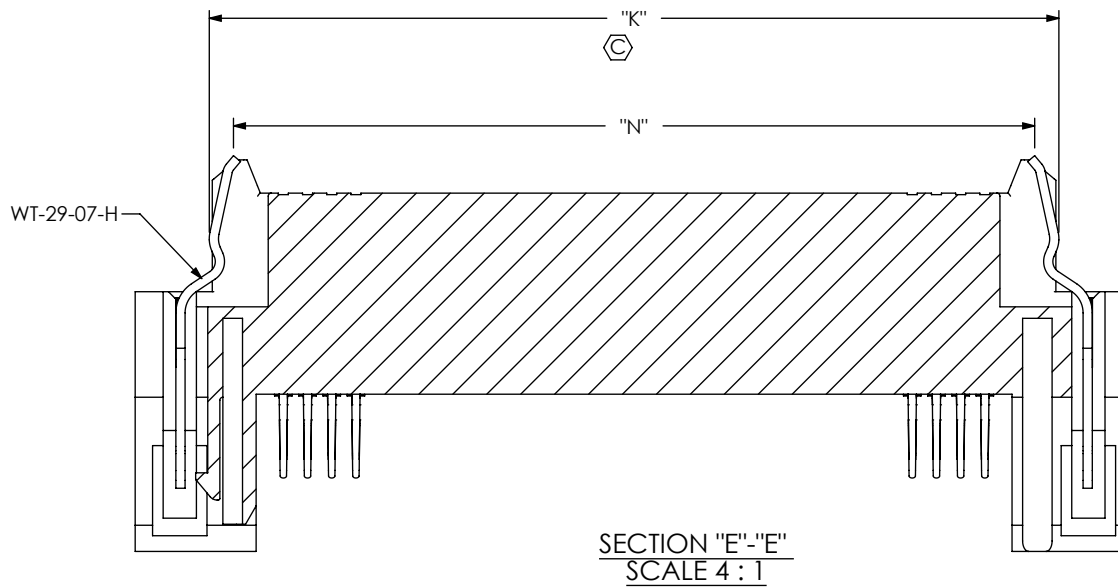


FIG 4
(ERM8-030-01-X-D-EM2-SL)
(SAME AS ERM8-XXX-01-X-D-EM2-XX-L EXCEPT AS SHOWN)
(SOME CENTER FEATURES NOT SHOWN FOR CLARITY)

F:\DWG\MISC\MKTG\ERM8-XXX-01-X-D-EMX-XXXX-TR-MKT.SLDDRW

TABLE 6				
POSITION	"N"		"K"	
-005	6.50	[0.256]	8.10	[0.319]
-010	10.50	[0.413]	12.10	[0.476]
-011	11.30	[0.445]	12.90	[0.508]
-013	12.90	[0.508]	14.50	[0.571]
-020	18.50	[0.728]	20.10	[0.791]
-025	22.50	[0.886]	24.10	[0.949]
-030	26.50	[1.043]	28.10	[1.106]
-035	30.50	[1.201]	32.10	[1.264]
-040	34.50	[1.358]	36.10	[1.421]
-049	41.70	[1.642]	43.30	[1.705]
-050	42.50	[1.673]	44.10	[1.736]
-060	50.50	[1.988]	52.10	[2.051]
-070	58.50	[2.303]	60.10	[2.366]
-075	62.50	[2.461]	64.10	[2.524]
** -100	82.50	[3.248]	84.10	[3.311]

** = NOT RELEASED

PROPRIETARY NOTE

THIS DOCUMENT CONTAINS INFORMATION CONFIDENTIAL AND PROPRIETARY TO SAMTEC, INC. AND SHALL NOT BE REPRODUCED OR TRANSFERRED TO OTHER DOCUMENTS OR DISCLOSED TO OTHERS OR USED FOR ANY PURPOSE OTHER THAN THAT WHICH IT WAS OBTAINED WITHOUT THE EXPRESSED WRITTEN CONSENT OF SAMTEC, INC.

DO NOT SCALE DRAWING

SHEET SCALE: 2:1

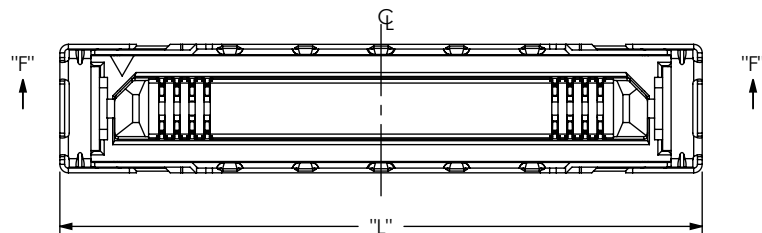


520 PARK EAST BLVD, NEW ALBANY, IN 47150
PHONE: 812-944-6733 FAX: 812-948-5047
e-Mail: info@SAMTEC.com code: 55322

DESCRIPTION:
0.8MM EDGE RATE TERMINAL ASSEMBLY

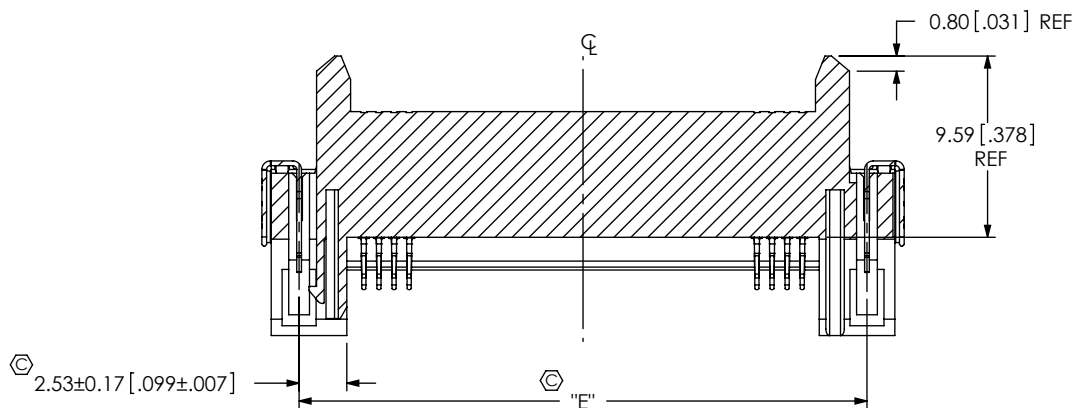
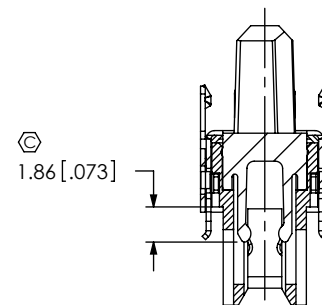
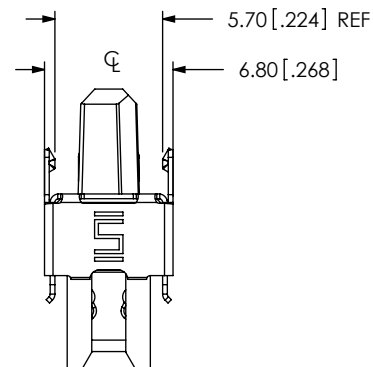
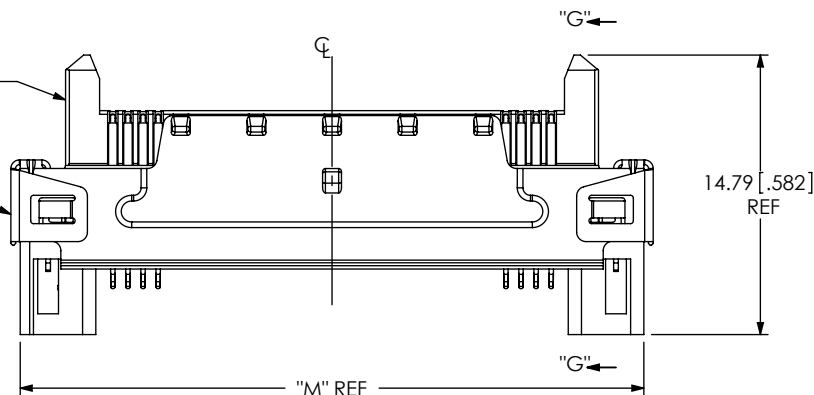
DWG. NO.
ERM8-XXX-01-X-D-EMX-XXXX-TR

BY: C. PIERCE 10/23/2006 SHEET 3 OF 4



ERM8-XXX-01-X-D-EM2-EGPS
(SEE SHT 1, TABLE 3)

SH29-XX-03-N
(SEE SHT 1, TABLE 3)



SECTION "F"-"F"

FIG 5
(ERM8-030-01-X-D-EM2-EGPS)
(SAME AS ERM8-030-01-X-D-EM2 EXCEPT AS SHOWN)
(SOME CENTER FEATURES NOT SHOWN FOR CLARITY)

SECTION

No. OF POS.	"L"	"M"
-10	18.0 [0.71]	17.00 [0.669]
-20	26.0 [1.02]	25.00 [0.984]
-25	30.0 [1.18]	29.00 [1.142]
-30	34.0 [1.34]	33.00 [1.299]

PROPRIETARY NOTE

THIS DOCUMENT CONTAINS INFORMATION CONFIDENTIAL AND PROPRIETARY TO SAMTEC, INC. AND SHALL NOT BE REPRODUCED OR TRANSFERRED TO OTHER DOCUMENTS OR DISCLOSED TO OTHERS OR USED FOR ANY PURPOSE OTHER THAN THAT WHICH IT WAS OBTAINED WITHOUT THE EXPRESSED WRITTEN CONSENT OF SAMTEC, INC.

DO NOT SCALE DRAWING

SHEET SCALE: 5:2



520 PARK EAST BLVD, NEW ALBANY, IN 47150
PHONE: 812-944-6733 FAX: 812-948-5047
e-Mail: info@SAMTEC.com code: 55322

DESCRIPTION:
0.8MM EDGE RATE TERMINAL ASSEMBLY

DWG. NO.
ERM8-XXX-01-X-D-EMX-XXXX-TR

BY: C. PIERCE 10/23/2006 SHEET 4 OF 4