

BSW-110-24-T-S

BSW-124-04-T-S-S

BSW-115-04-G-D

BSW SERIES

(2,54 mm) .100"

BOTTOM MOUNT SOCKET STRIPS

Mates with:

TSW, MTSW, HTSW, MTLW, TSM, EW, ZW, HW, DW, PHT

FEATURES

- Bottom mount socket strips accept .025" SQ terminals.
- Ideal for soldering and plugging from the same side of the board.
- For low profile connections and high temperature soldering.

SPECIFICATIONS

For complete specifications and recommended PCB layouts see www.samtec.com?BSW

Insulator Material:

Black Thermoplastic
Insulation Resistance:
 5000 MΩ min

Contact Material:

Phosphor Bronze

Plating:

Au or Sn over

50μ" (1,27 μm) Ni

Operating Temp Range:

-55°C to +125°C with Gold

-55°C to +105°C with Tin

Withstanding Voltage:

1000 VRMS @ 60 Hz

Contact Resistance:

10 mΩ

Insertion Depth:

(3,68 mm) .145" to

(6,35 mm) .250"

Insertion Force:

(Single contact only)

Standard = 8 oz (2,23 N) avg.

Low Insertion Force = 3 oz

(0,83 N) avg.

Withdrawal Force:

(Single contact only)

Standard = 8 oz (2,23 N) avg.

Low Insertion Force = 3 oz

(0,83 N) avg.

RoHS Compliant:

Yes

Lead-Free Solderable:

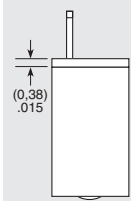
Wave only

RECOGNITIONS

For complete scope of recognitions see www.samtec.com/quality

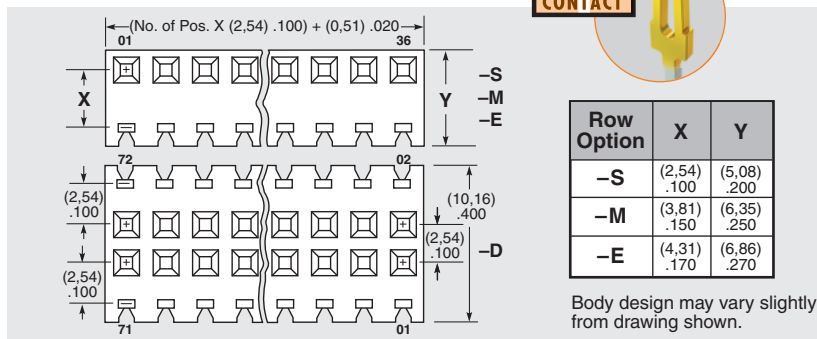
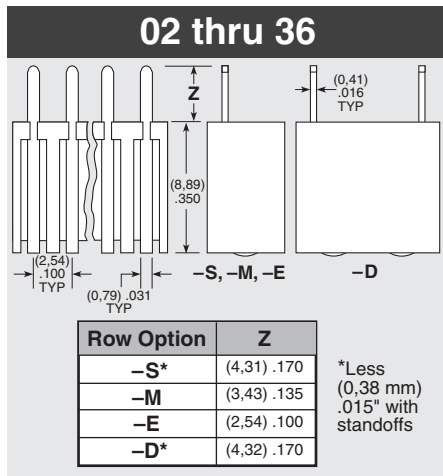


Note: Some lengths, styles and options are non-standard, non-returnable.

BSW	1	NO. PINS PER ROW	LEAD STYLE	PLATING OPTION	ROW OPTION	OTHER OPTION
			-04 = Standard Lead	-L = 10μ" (0,25 μm) Gold contact, Matte Tin on tail		-S = Standoffs for single and double rows only.
			-24 = Low Insertion Force	-G = 20μ" (0,51 μm) Gold contact, Gold Flash on tail		 (0,39) (0,15)
				-T = Matte Tin (N/A with Low Insertion Force)		(-S & -D only)

ALSO AVAILABLE (MOQ Required)

- Other platings
- Contact Samtec.



- S** = Single Row
- M** = Single Row More Plug Space
- E** = Single Row Extended Plug Space
- D** = Double Row

APPLICATIONS

