

Chassis Mount

SHE Series

Super High Efficiency Transformers

High Reliability with Clean Efficient Power Transfer for Optimal Performance

The SHE series of Super High Efficiency transformers are specifically designed to reduce power operational costs. By utilizing optimal quality core and conductor materials, SHE transformers achieve superior ratings which address the overall trend to go “green” with cleaner, more efficient use of power.



General Specifications

- Power - 250 VA to 2500 VA
- Dielectric Strength - 4000 Vrms Hipot
- Input - Dual / tapped windings
 - Parallel connection 100 V, 115 V 50/60 Hz
 - Series connection 215 V, 230 V 50/60 Hz
- Output - Dual windings
 - Parallel connection 115 V
 - Series connection 230 V
- Regulation 2.5% maximum
- Efficiency 97.5% minimum
- Temperature rise 60° C maximum
- Electrostatic Shield - Solid copper full width foil
- Touch-Safe terminals (IP20 type) offer a screw/binding clamp for hard wiring and 3/16” & 1/4” Fast-On connections
- Leakage Current @ <50 micro Amps
- Insulation System - Class H, 180° C
- Clean power with distortion free output

Agency Certifications

- UL 1446, File # E66312
- Compliant with the following domestic and international standards: UL506 / UL5085, CSA C22.2, No. 66.2-06, VDE 0805 and VDE 0550, IEC / EN61558



a bel group

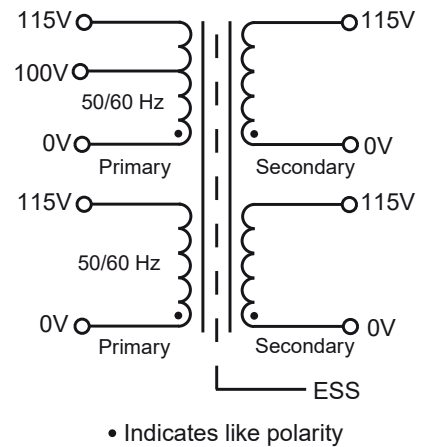
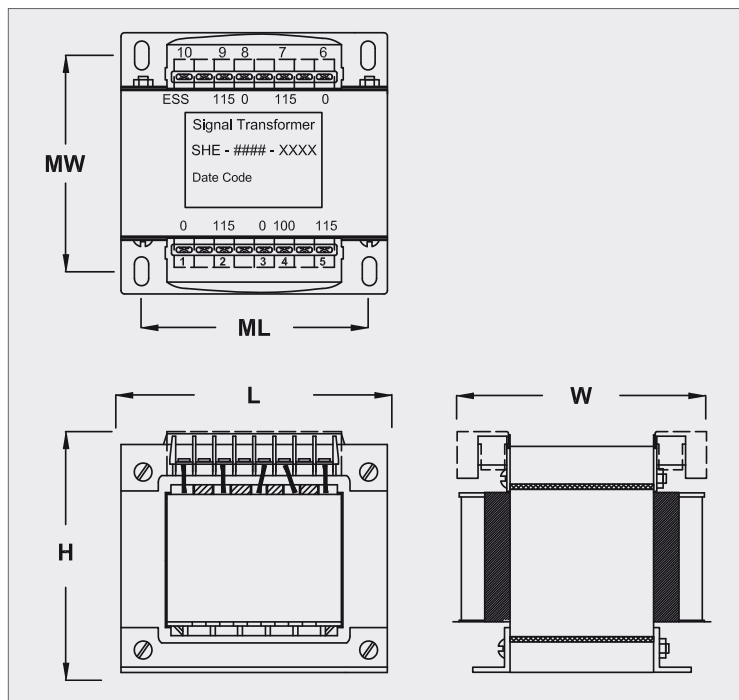
belfuse.com/signal

Part Number Selection

| Part Number | VA | Secondary RMS Rating | |
|-------------|------|----------------------|----------------|
| | Size | Series | Parallel |
| SHE-250 | 250 | 230 V @ 1.1 A | 115 V @ 2.2 A |
| SHE-500 | 500 | 230 V @ 2.2 A | 115 V @ 4.4 A |
| SHE-750 | 750 | 230 V @ 3.3 A | 115 V @ 6.6 A |
| SHE-1000 | 1000 | 230 V @ 4.3 A | 115 V @ 8.7 A |
| SHE-1500 | 1500 | 230 V @ 6.5 A | 115 V @ 13.0 A |
| SHE-2000 | 2000 | 230 V @ 8.7 A | 115 V @ 17.4 A |
| SHE-2500 | 2500 | 230 V @ 10.9 A | 115 V @ 21.8 A |

Mechanical Specifications

| Part Number | VA Size | Mechanical Dimensions | | | | | Weight lbs (kg) |
|-------------|------------|-----------------------|--------------|--------------|--------------|--------------|--------------------|
| | | L | W | H | ML | MW | |
| | | Inches (mm) | | | | | |
| SHE-250 | 250 | 5.40 (137.2) | 4.00 (101.6) | 4.75 (120.7) | 4.50 (114.3) | 2.88 (73.2) | 11.75 (5.33) |
| SHE-500 | 500 | 5.40 (137.2) | 5.00 (127.0) | 4.75 (120.7) | 4.50 (114.3) | 3.88 (98.6) | 17.56 (7.97) |
| SHE-750 | 750 | 5.40 (137.2) | 6.00 (152.4) | 4.75 (120.7) | 4.50 (114.3) | 4.88 (124.0) | 22.62 (10.26) |
| SHE-1000 | 1000 | 7.70 (195.6) | 5.50 (139.7) | 6.63 (168.4) | 5.75 (146.1) | 4.38 (111.3) | 34.80 (15.79) |
| SHE-1500 | 1500 | 7.70 (195.6) | 6.00 (152.4) | 6.63 (168.4) | 5.75 (146.1) | 4.75 (120.7) | 41.50 (18.82) |
| SHE-2000 | 2000 | 7.70 (195.6) | 6.50 (165.1) | 6.63 (168.4) | 5.75 (146.1) | 5.25 (133.4) | 48.02 (21.78) |
| SHE-2500 | 2500 | 7.70 (195.6) | 7.00 (177.8) | 6.63 (168.4) | 5.75 (146.1) | 5.75 (146.1) | 56.54 (25.65) |



Custom versions available upon request.



500 Bayview Avenue, Inwood, NY 11096
 Toll Free 866-239-5777 | Tel 516-239-5777 | Fax 516-239-7208
 sales@signaltransformer.com | techhelp@signaltransformer.com

belfuse.com/signal