

Printed Circuit Mount

14A Series

One-4-All™ Triple Output Transformers

For 5 VDC and ± 12 VDC or ± 15 VDC Regulated Power Supplies Requiring International Safety Certification

Signal's 14A triple output transformers have PC board mounting capability plus all of the performance features of our split bobbin 14A series.



General Specifications

- Power - 20 VA to 56 VA
- Dielectric Strength - 4000 Vrms Hipot
- Primaries - Dual 115/230 V, 50/60 Hz
- Secondaries - Dual complementary outputs
- Insulation System - Class F, 155° C, UL 1446 (E66312)
- Flammability Rating - Bobbin and shroud material meet UL 94-V0

Agency Certifications

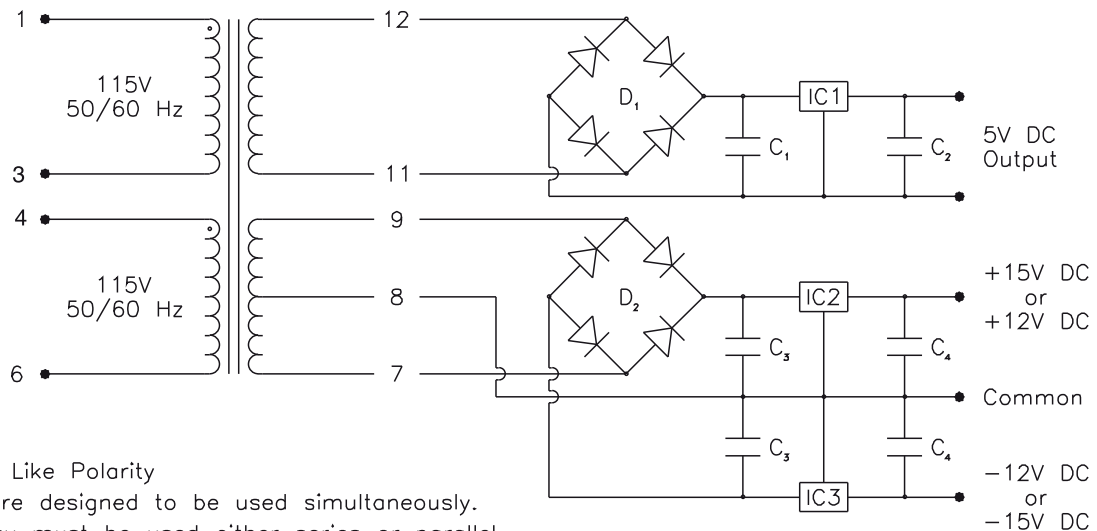
- UL recognized to UL 506 / UL 5085-2, File # E63829
- CSA certified to C22.2 No. 66.1, File # 221070
- VDE certified to VDE 0805 / EN 60950, File # 1446

14A Triple Output Series Datasheet

Part Number Selection

Part Number	VA	DC Output		Suggested Components (C_2 and C_4 See Note 1)					
		Size	Regulator I	Regulator II	C_1	IC1 ³	IC2 ³	IC3 ³	D1 ⁴
14A-20-512	20	5 V @ 750 mA	± 12 V @ 200 mA	2.3 KMFD @ 50 VDC	LM-323K-5	LM-340K-12	LM-320K-12	PE20	PF20
14A-20-515	20	5 V @ 750 mA	± 15 V @ 175 mA		LM-323K-5	LM-340K-15	LM-320K-15	PE20	PF20
14A-30-512	30	5 V @ 1.25 A	± 12 V @ 250 mA	4.1 KMFD @ 15 VDC	LM-323K-5	LM-340K-12	LM-320K-12	PE20	PF20
14A-30-515	30	5 V @ 1.25 A	± 15 V @ 200 mA		LM-323K-5	LM-340K-15	LM-320K-15	PE20	PF20
14A-56-512	56	5 V @ 3 A	± 12 V @ 300 mA	10.0 KMFD @ 15 VDC	LM-338 ²	LM-340K-12	LM-320K-12	PP20	PF20
14A-56-515	56	5 V @ 3 A	± 15 V @ 250 mA		LM-338 ²	LM-340K-15	LM-320K-15	PP20	PF20

- Note 1: Output capacitors C_2 and C_4 are required to stabilize regulators. Values can be 1 MFD min. tantalum or 10 MFD min. electrolytic, 20 V min.
- Note 2: LM-338 is an adjustable regulator and MFR's specifications (National Semiconductor) should be consulted for values of external components.
- Note 3: All ICs are National Semiconductor types.
- Note 4: All bridges are EDI types.



◦ Indicates Like Polarity
 Primaries are designed to be used simultaneously.
 That is, they must be used either series or parallel
 connected (as one winding).



Custom versions available upon request.



500 Bayview Avenue, Inwood, NY 11096
 Toll Free 866-239-5777 | Tel 516-239-5777 | Fax 516-239-7208
 sales@signaltransformer.com | techhelp@signaltransformer.com

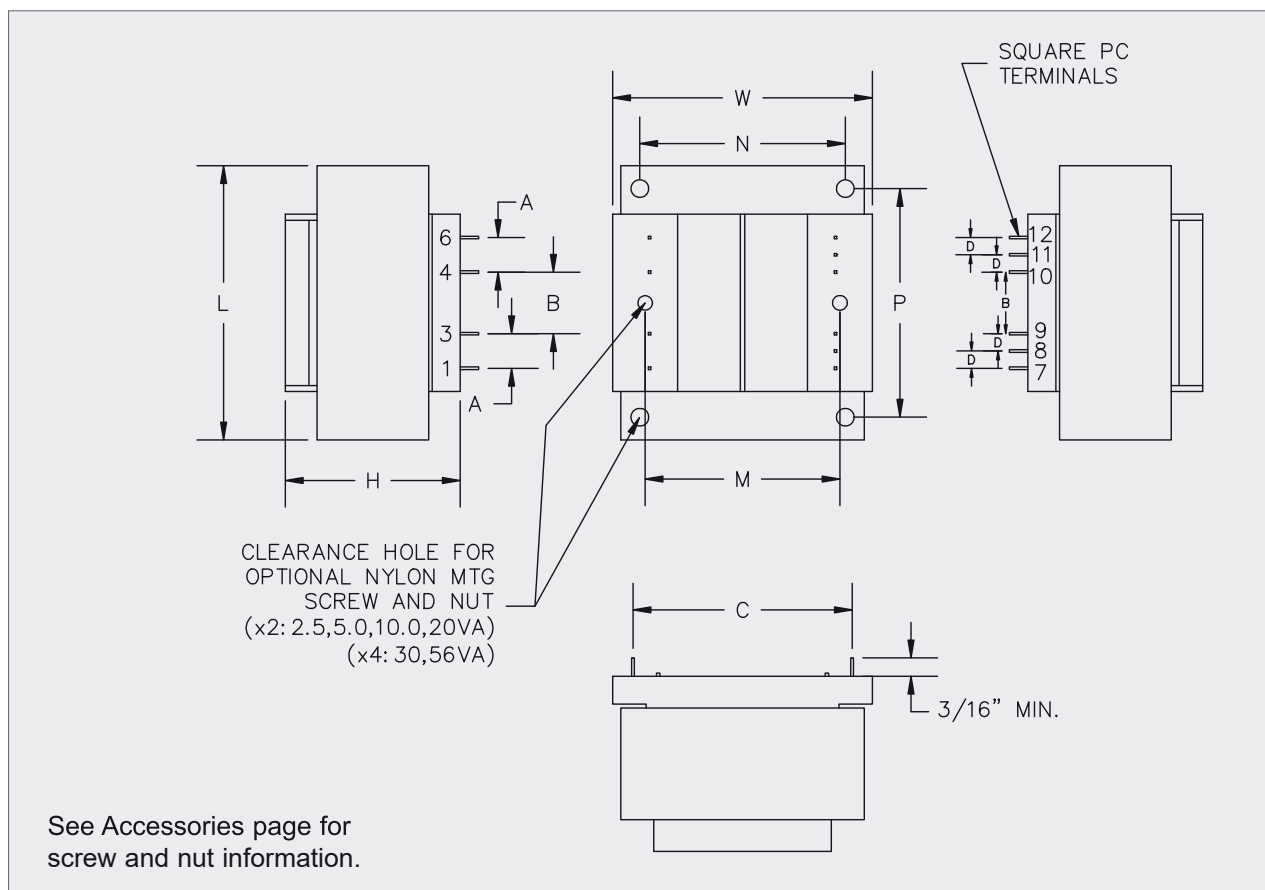
belfuse.com/signal

14A Triple Output Series Datasheet

Mechanical Specifications

VA	Mechanical Dimensions							Sq. Pin Dimensions	Mounting Dimensions			Mounting Screw		Weight
	L	W	H*	A	B	C	D		M	N	P	Size	Qty	
Size	Inches (mm)											Size	Qty	lbs (kg)
20	2.25 (57.2)	1.87 (47.6)	1.62 (41.3)	0.40 (10.2)	0.40 (10.2)	1.46 (37.1)	0.20 (5.1)	0.036 (0.91)	1.50 (38.1)	-	-	#4	2	0.90 (0.41)
30	2.62 (66.7)	2.18 (55.5)	1.56 (39.7)	0.55 (13.9)	0.27 (7.0)	1.68 (42.7)	0.27 (7.0)	0.045 (1.14)	-	1.75 (44.4)	2.18 (55.5)	#6	4	1.15 (0.52)
56	3.00 (76.2)	2.50 (63.5)	1.83 (46.5)	0.60 (15.2)	0.30 (7.6)	1.90 (48.3)	0.30 (7.6)	0.045 (1.14)	-	2.00 (50.8)	2.50 (63.5)	#6	4	1.70 (0.77)

* Dimension H represents the total distance from the seating plane to the uppermost surface, stand offs and/or risers inclusive.



Custom versions available upon request.



500 Bayview Avenue, Inwood, NY 11096
Toll Free 866-239-5777 | Tel 516-239-5777 | Fax 516-239-7208
sales@signaltransformer.com | techhelp@signaltransformer.com

belfuse.com/signal