

RK 90 - Keycap body, for lens 1 -module

5.55.103.030/1013

Please order lens separately.



General information

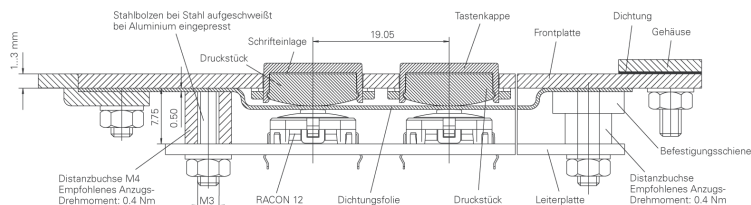
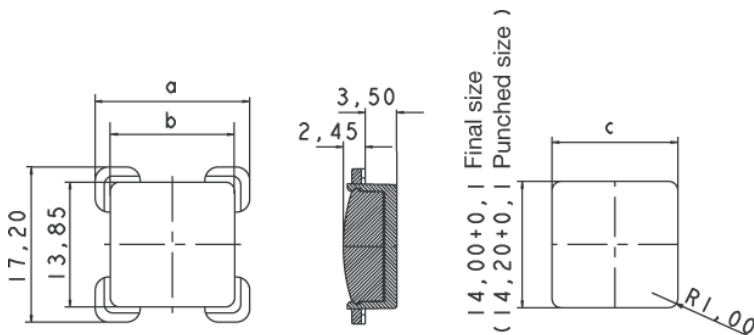
Color of lens	-
Size	1-module
Degree of protection (with silicon seal)	IP65 (DIN EN 60529)
Illuminability	yes

Dimensions

Dimension (b) in front of front panel	13.85 x 13.85 mm
Dimension (a) behind front panel	17.20 x 17.20 mm
Dimension (c) hole patterns final size	14.00 x 14.00 mm
Dimension hole patterns punched size	14.20 x 14.20 mm

Other specifications

ROHS compliant	yes
REACH compliant	yes



Einbau von vorne

Einbau von hinten

