

RAFIX 16 F - Signal indicator, flush lens, collar metallized, round
1.65.126.011/1600



General information

Form of lens	flat lens
Color of lens	transparent blue
Form of collar	round
Color of collar	silver metallic

Dimensions

Collar dimensions	ø 28 mm
Overall height	1.9 mm
Mounting depth with contact block	50 mm
Key grid	30 x 30 mm
Mounting hole	ø 22.3 mm

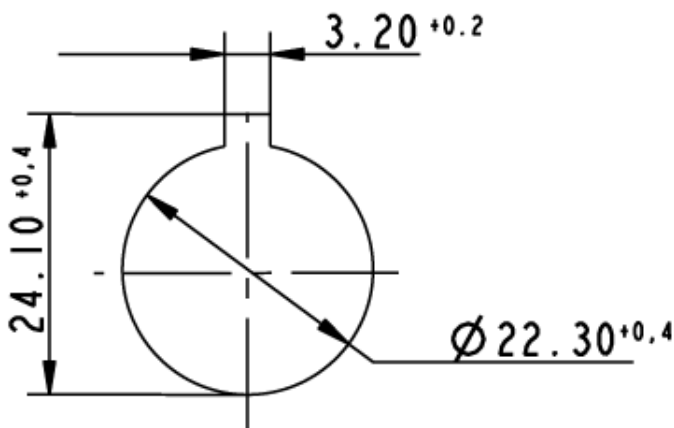
Mechanical design

Mounting	ring nut
Contact function	-
Illumination	yes

Other specifications

Operating life (operations)	- cycle
Degree of protection from front side	IP65 (DIN EN 60529)
Operation temperature min.	-25 °C
Ambient temp. operating max. without lamp / LED	- °C
Ambient temp. operating max. with lamp /LED	+55 °C
Storage temperature min.	-40 °C
Storage temperature max.	+85 °C
Environmental resistance	acc. to IEC 60068-2-14, -30, -33 and -78
ROHS compliant	yes
REACH compliant	yes

Panel cut-out to IEC 60947-5-1



Technical data are approximate and intended solely for general orientation in the selection of a product.
 Subject to modifications and errors. Images and other graphics may only be similar.
 For more information, refer to www.rafi.de chapter Imprint / Data Protection.

