

## RAFIX 30 FS<sup>+</sup>, illuminated pushbutton ring lighting, round collar, frontring stainless steel, Color transparent, bezel stainless steel



### fields of application

- › Measurement-control-regulation
- › Electrical engineering
- › Mechanical and system engineering
- › Vehicle construction
- › Industrial robots

### special features

- › Illuminated pushbutton with ring illumination
- › illumination with SMT-LED
- › Function momentary
- › Low overall height 3.45 mm
- › Shapely front ring made of stainless steel
- › Low installation depth 15.7 mm (PCB) or 33.3 mm (QC)
- › Special tactile feedback
- › Ideal for operation with gloves
- › Connection types: printed circuit board connection (PCB) or plug-in connection (QC) PCB switching elements minimize assembly errors
- › Switching elements with silver contacts (max. 250 V/4 A) or gold contacts (max. 35 V/100 mA)
- › MICON 5 short-travel keyswitches can be used as switching element by means of the short-travel adapter
- › Degree of protection: IP 65 at the front



### description

RAFIX control devices are defined at RAFI as modular elements, consisting of an actuating element, if necessary a coupling and an individual contact or lighting unit.

Actuating elements (such as pushbuttons, emergency stop actuators, etc.) have the intended tactility, reset and function only when assembled with the appropriate switching elements.

Pushbutton with stainless steel insert and ring illumination. Using short-stroke adapter in the pushbutton together with short-stroke pushbutton "MICON 5" as contact element, several light functions can be displayed and indicated by LEDs via the minimal installation space on the PCB.

## technical data

---

### > general

Disassembly possible	no
Scope of delivery	Adapter and threaded ring
Bezel color	stainless steel
Front ring color	stainless steel
Ring lighting color	transparent
Collar shape	round
Operating temperature, min.	-25 °C
Storage temperature, min.	-40 °C
Operating temperature, max.	70 °C
Storage temperature, max.	80 °C
illuminated	Yes
Packaging	Box
Packaging unit	10 pcs.
net weight	13.4 g
Operating life	1,000,000 cycles
B10	1,300,000 cycles
Degree of protection, front side, according to DIN EN 60529	IP65
UL Enclosure Type Rating front side	type 1 type 4X
Environment resistance	IEC 60068-2-14 IEC 60068-2-30 IEC 60068-2-33 IEC 60068-2-78
Salt-spray resistance according to standard	IEC 60068-2-11
MOQ order	50 pcs.
RoHS compliant	Yes
REACH compliant	Yes

### direct links

> [RAFI eCatalog](#)

### > mounting diameters

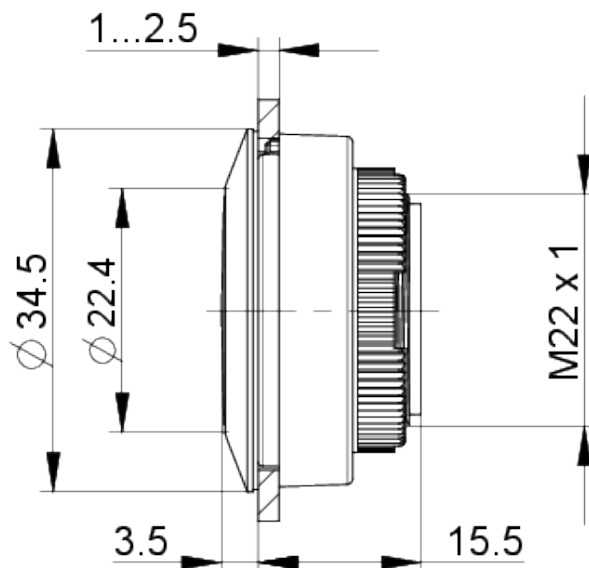
Mounting hole	30.3 mm
Mounting depth	15.7 mm
Installation height	3.45 mm
Grid, min.	35 x 35 mm
Outside dimension, length	34.5 mm
Outside dimension, width	34.5 mm
Outside dimension, height	18.4 mm
Collar dimension	ø 34,5 mm

### > mechanical data

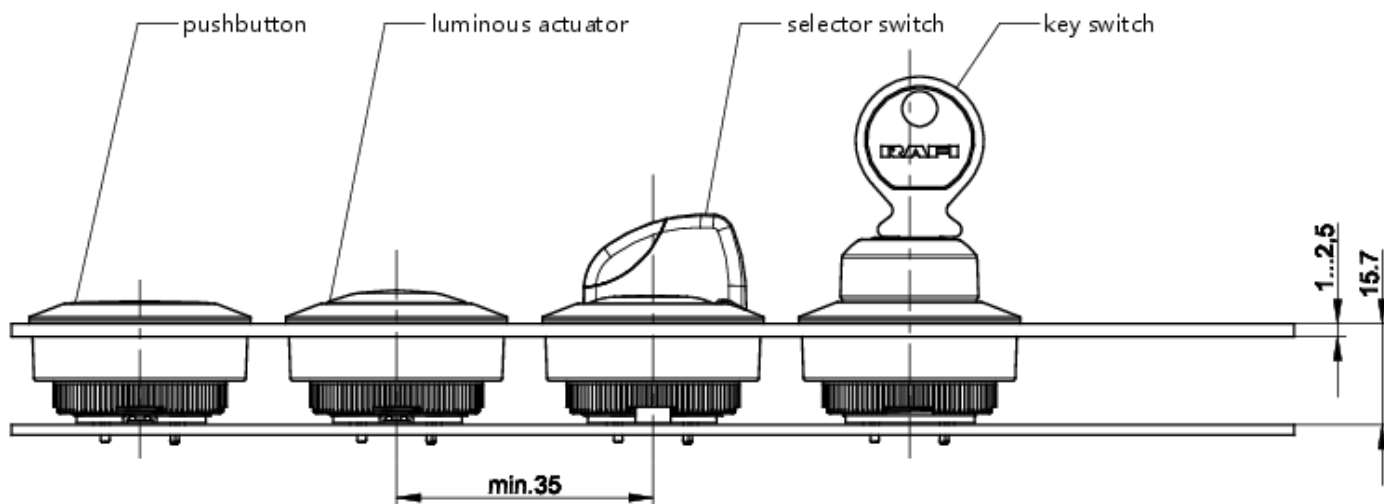
Operating force, max.	100 N
Operating travel, max.	4 mm
Fixing	Threaded ring
Threaded ring torque, max.	1.2 Nm

**drawings**

**Dimensioned drawing**



**System drawing**



**Mounting hole drawing**