

LUMOTAST 75 IP40, keylock switch, rectangular collar, 1 NC + 1 NO, Silver, Solder terminal, 45°, momentary contact function, key removal position 0



fields of application

- > Measurement-control-regulation
- > Mechanical and system engineering
- > Signalling systems



description

The locking systems we use were created according to the DIN EN 1303 standard by well-known lock manufacturers. They are open, mechanical systems which, depending on the environmental conditions, require occasional maintenance (e.g. greasing & oiling) by the machine or system operator.

The LUMOTAST 75 key-operated switches have proven themselves over decades. The familiar connection concept makes the LUMOTAST 75 series your reliable component. Illuminated pushbuttons and signal lamps are also available to match the design. The basic version of the LUMOTAST 75 offers protection class IP 40 according to DIN.

technical data

> general

Collar color	black
Collar shape	rectangular
Operating temperature, min.	-25 °C
Storage temperature, min.	-40 °C
Operating temperature, max.	70 °C
Storage temperature, max.	80 °C
illuminated	No
Packaging	Box
Packaging unit	2 pcs.
Operating life	50,000 cycles
B10	65,000 cycles
Degree of protection, front side, according to DIN EN 60529	IP40
MOQ order	2 pcs.
RoHS compliant	Yes
REACH compliant	Yes

> mounting diameters

Mounting hole	16.2 mm
Mounting depth	41.5 mm
Installation height	7.5 mm

direct links

- > RAFI eCatalog

Outside dimension, length	18 mm
Outside dimension, width	24 mm

> mechanical data

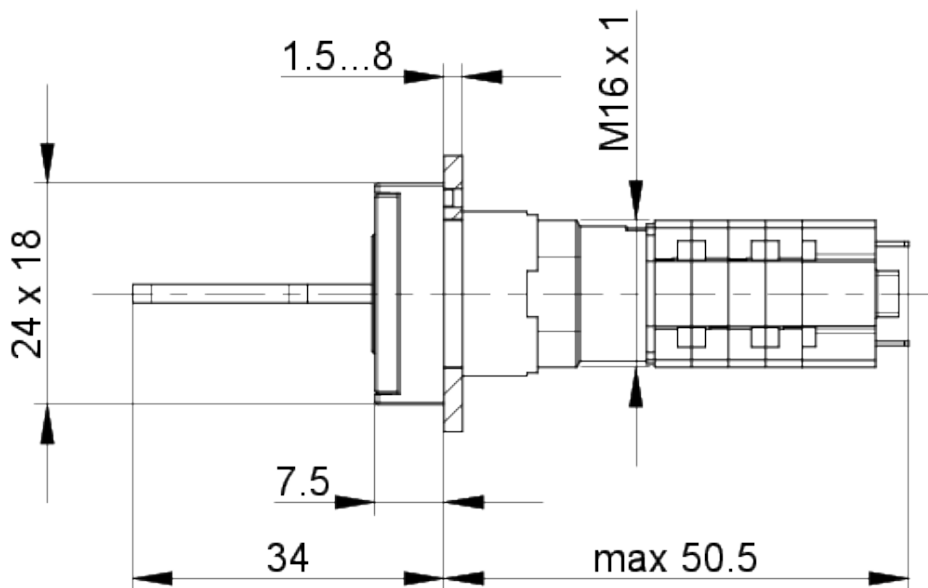
Actuation function	momentary contact function
Contact function	1 NC + 1 NO
Contact system	Bridge-snap-action contact
Contact material	Silver
Locking position	45
Number of locking positions	45
Key removal position	0
Rotating angle	45°
Fixing	Threaded ring
Terminal on the rear	Solder terminal
Solderability	Yes

> electrical data

Rated voltage, min.	12 V
Rated voltage, max.	230 V
Rated current, min.	0.05 A
Rated current, max.	4 A

drawings

Dimensioned drawing



Mounting hole drawing

