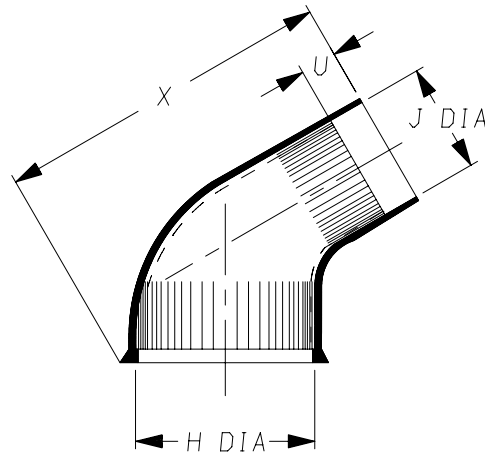
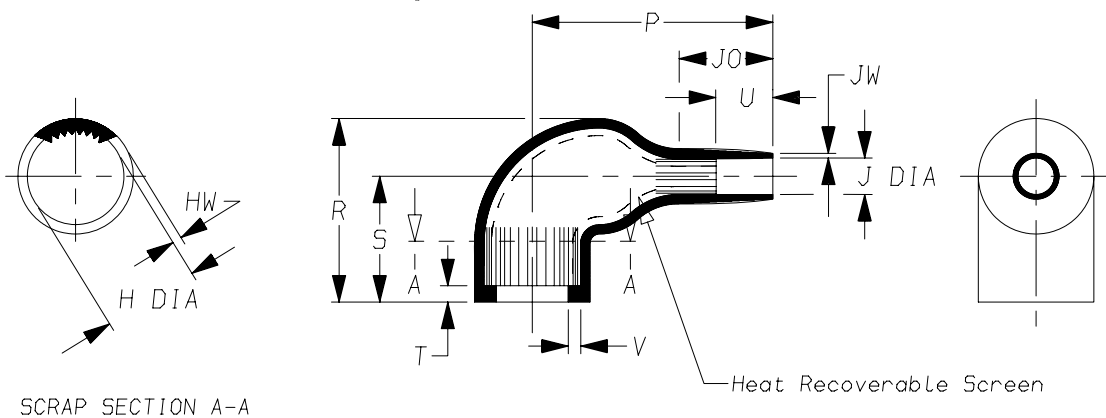


a) Part as supplied.



222S1**-*S
Screened Moulded Parts

b) Part after unrestricted recovery.



SCRAP SECTION A-A

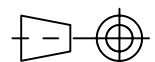
DIMENSIONS in millimetres
(in inches, for reference)

Part No.	H		J		P Ref	R ±10% Ref	S Ref	T Ref	U		V Ref	JO Ref	X ±5% Ref	HW		JW ±30% Ref
	Min a	Max b	Min a	Max b					Min a	±20% b				±30% b	±30% b	
222S121	20 {0.79}	10.4 {0.41}	11 {0.43}	5.0 {0.20}	30 {1.18}	25 {0.98}	19 {0.75}	3.0 {0.12}	5.0 {0.20}	10 {0.39}	1.0 {0.04}	15 {0.59}	45 {1.77}	1.5 {0.06}	1.0 {0.04}	
222S132	24 {0.94}	14.2 {0.56}	15 {0.59}	6.0 {0.24}	38 {1.50}	28 {1.10}	20 {0.79}	3.0 {0.12}	5.0 {0.20}	10 {0.39}	1.0 {0.04}	17 {0.67}	54 {2.13}	1.5 {0.06}	1.0 {0.04}	
222S142	31 {1.22}	18.0 {0.71}	18 {0.71}	7.2 {0.28}	42 {1.65}	31 {1.22}	21 {0.83}	3.0 {0.12}	6.0 {0.24}	10 {0.39}	1.0 {0.04}	18 {0.71}	63 {2.48}	2.0 {0.08}	1.0 {0.04}	
222S152	36 {1.42}	22.4 {0.88}	22 {0.87}	8.5 {0.33}	51 {2.01}	38 {1.50}	26 {1.02}	3.0 {0.12}	7.0 {0.28}	12 {0.47}	1.0 {0.04}	20 {0.79}	70 {2.76}	2.0 {0.08}	1.0 {0.04}	
222S163	43 {1.69}	28.2 {1.11}	26 {1.02}	10.0 {0.39}	67 {2.64}	45 {1.77}	30 {1.18}	3.0 {0.12}	12 {0.47}	20 {0.79}	1.7 {0.07}	28 {1.10}	90 {3.54}	2.2 {0.09}	1.5 {0.06}	
222S174	47 {1.85}	35.1 {1.38}	36 {1.42}	15.8 {0.62}	80 {3.15}	54 {2.13}	36 {1.42}	3.0 {0.12}	12 {0.47}	20 {0.79}	1.7 {0.07}	31 {1.22}	112 {4.41}	3.0 {0.12}	1.5 {0.06}	

Copyright (!)

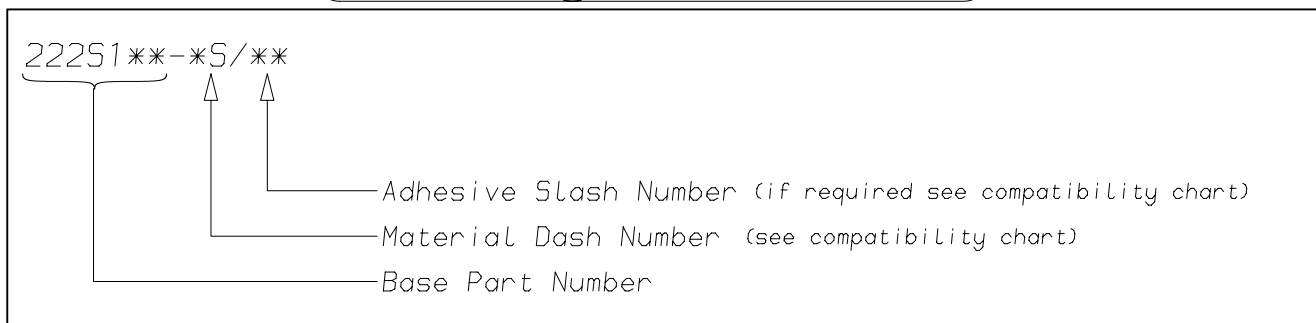
The copyright in this drawing is the property of Tyco Electronics UK Ltd. The drawing is issued on the condition that it is not copied, reproduced or disclosed to a third party, either in whole or in part without the prior written consent of Tyco Electronics UK Ltd.

Drawn A.LILLEY. Checked Issue 6 Date November 2007 Conforms to ISO Recommendations
3rd Angle Projection
Not to Scale
Approval Design MKTG. Tech.



Raychem		Specification Control Drawing	Part Number 222S1**-*S Issue 6
Iss.	Date	E.C.R. No.	Details of Change
6	November 2007	CR06-HM-012	Imperial dimensions added

(Ordering Information)



(COMPATIBILITY CHART)

Material Dash Number	Material Description	SPEC Number	Coating Slash Number
-35	POLYOLEFIN/COPPER COMPOSITE	RW-2076	/86
-255	ELASTOMER/COPPER COMPOSITE	RW-2077	/86

NOTES

- ① As supplied dimensions are for uncoated parts, when coating is added entry diameters will reduce by 1.5mm Max.
- ② For method of measuring recovered diameter, see appropriate RW specification (SPEC Number), section 2.2,

Tyco Electronics UK Ltd. Faraday Road, Swindon, Wiltshire, SN3 5HH England Telephone: (01793) 528171 Fax: 572516	Tyco Electronics Corporation 300, Constitution Drive, Menlo Park, CA 94025 USA Telephone (650) 361-3860 Fax: (650) 361-5579
Cage Code K1010	Cage Code 06090