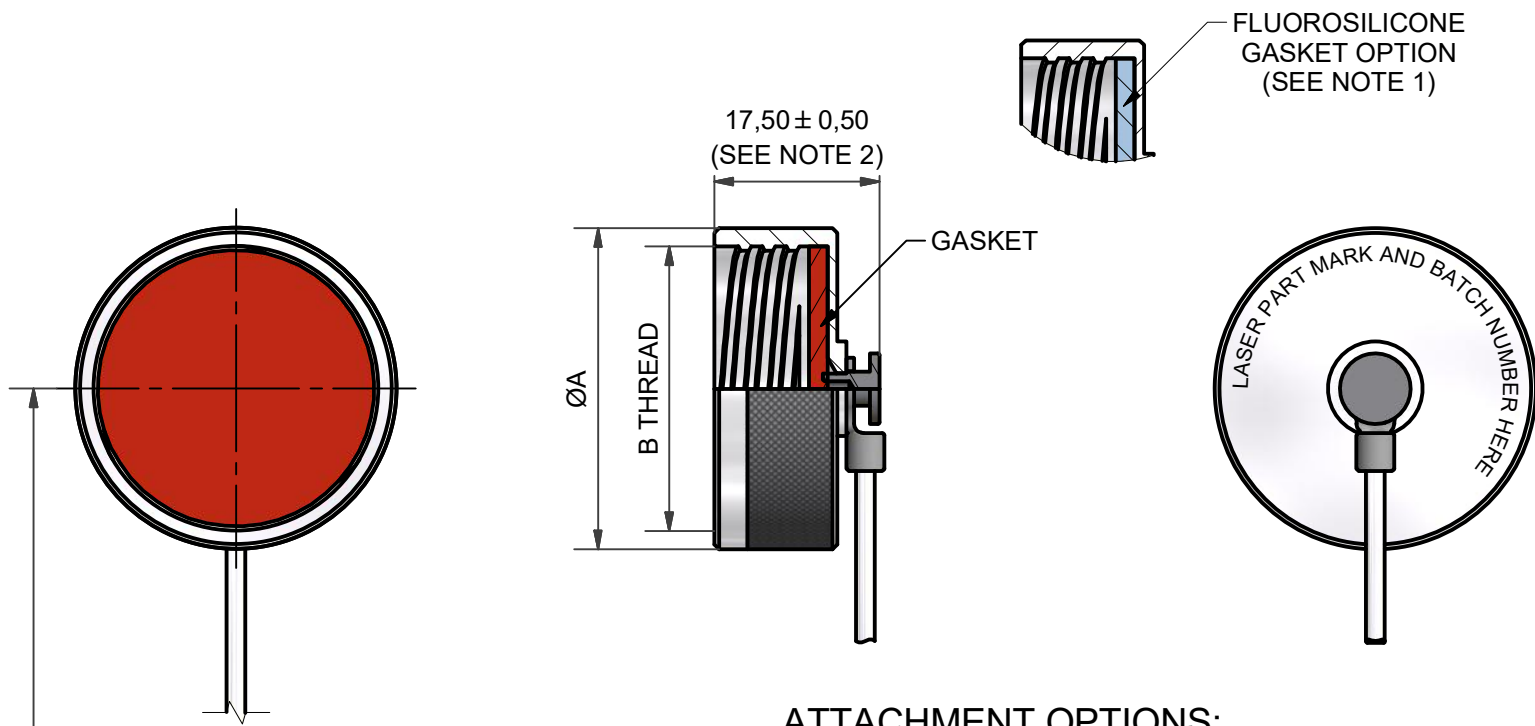
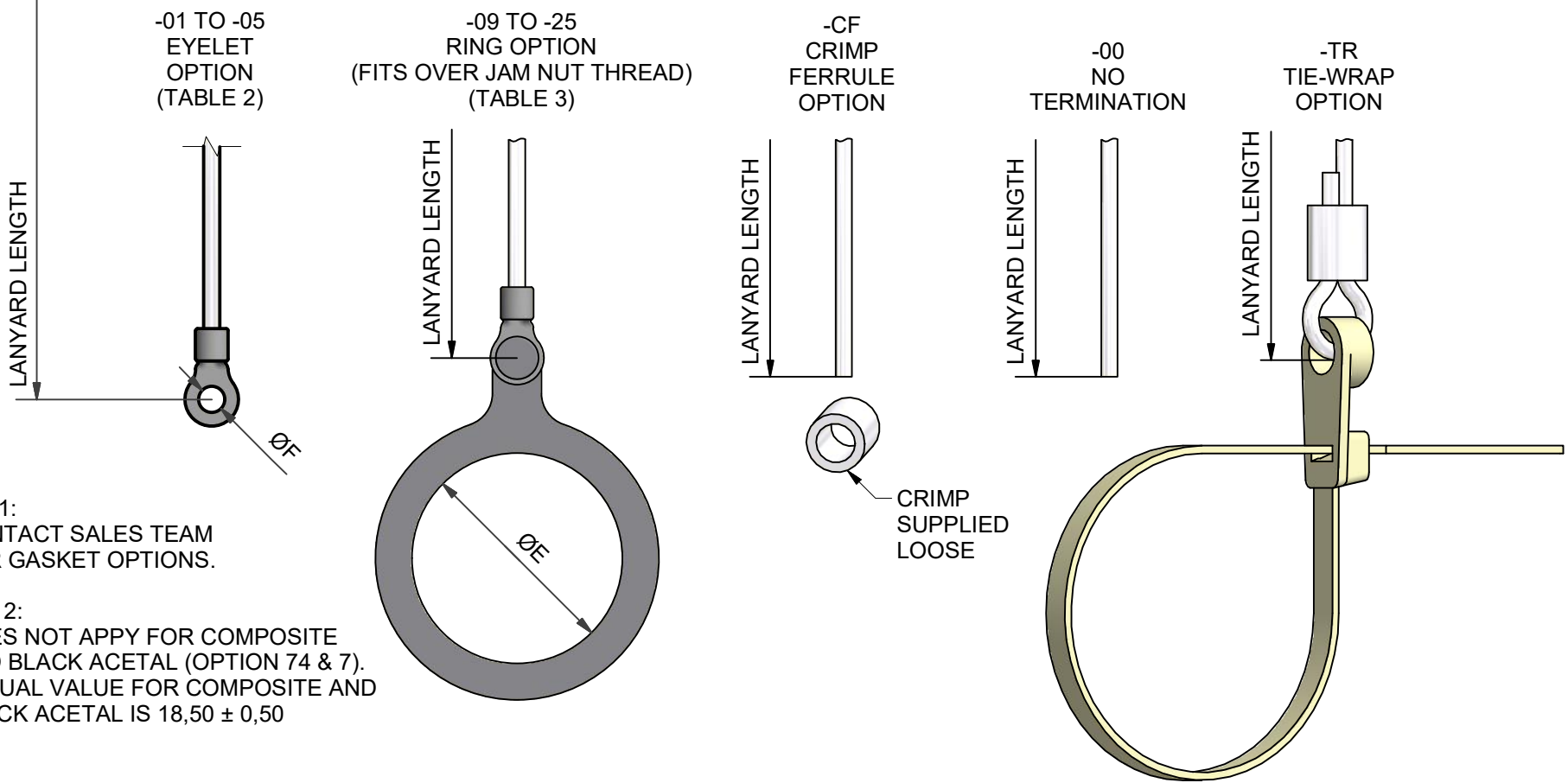


WITH ATTACHMENT



ATTACHMENT OPTIONS:



NOTE 1:  
CONTACT SALES TEAM  
FOR GASKET OPTIONS.

NOTE 2:  
DOES NOT APPLY FOR COMPOSITE  
AND BLACK ACETAL (OPTION 74 & 7).  
ACTUAL VALUE FOR COMPOSITE AND  
BLACK ACETAL IS 18,50 ± 0,50

OMIT FOR NO ATTACHMENT  
(SEE SHEET 2)

100P160-17-1-C-WR4-17

SERIES \_\_\_\_\_  
 INSERT 'F' FOR \_\_\_\_\_  
 FLUROSILICONE GASKET  
 OMIT FOR STANDARD  
 SILICONE GASKET  
 SHELL SIZE (TABLE 1) \_\_\_\_\_  
 MATERIAL (TABLE 5) \_\_\_\_\_  
 FINISH (TABLE 6) \_\_\_\_\_  
 LANYARD TYPE (TABLE 4) \_\_\_\_\_  
 LANYARD LENGTH (IN INCHES) \_\_\_\_\_  
 +1,0"/-0" TOLERANCE  
 ATTACHMENT (SEE ABOVE) \_\_\_\_\_

<table border="1"> <tr> <td>DRAWN</td> <td>W.RUST</td> <td>DATE</td> <td>12/02/2014</td> </tr> <tr> <td>SALES APPR</td> <td></td> <td>DATE</td> <td>12/02/2014</td> </tr> <tr> <td>DESIGN APPR</td> <td></td> <td></td> <td></td> </tr> <tr> <td>PROD APPR</td> <td></td> <td></td> <td></td> </tr> <tr> <td>QUAL APPR</td> <td></td> <td></td> <td></td> </tr> <tr> <td>ISSUE</td> <td>REV.</td> <td>DCR</td> <td>7332</td> </tr> <tr> <td>AA</td> <td></td> <td></td> <td></td> </tr> </table>	DRAWN	W.RUST	DATE	12/02/2014	SALES APPR		DATE	12/02/2014	DESIGN APPR				PROD APPR				QUAL APPR				ISSUE	REV.	DCR	7332	AA				<p>3RD ANGLE PROJECTION NOT TO SCALE</p>	<p>UNLESS OTHERWISE SPECIFIED ALL DIMENSIONS IN MILLIMETRES          GENERAL TOL          LINEAR +/-0,25MM          ANGULAR +/- 1°</p> <p><b>MATERIAL</b>          SEE PART NUMBER BREAKDOWN</p> <p><b>FINISH</b>          SEE PART NUMBER BREAKDOWN</p>	<p>PART NUMBER: <b>100P160 SERIES</b></p> <p>TITLE: <b>RECEPTACLE PROTECTION CAP</b></p> <p>ASSY USED ON: MIL-DTL-38999 SERIES III</p>	<p>Polamco</p> <p>TE connectivity</p>
DRAWN	W.RUST	DATE	12/02/2014																													
SALES APPR		DATE	12/02/2014																													
DESIGN APPR																																
PROD APPR																																
QUAL APPR																																
ISSUE	REV.	DCR	7332																													
AA																																
<p>NCAGE CODE U5792</p> <p>WEIGHT _____</p>	<p>THIS DRAWING IS COPYRIGHT AND THE PROPERTY OF POLAMCO LTD IT MUST NOT BE COPIED, USED FOR MANUFACTURE OR OTHERWISE DISCLOSED WITHOUT PRIOR WRITTEN CONSENT OF THE COMPANY.</p>	<p>POLAMCO LTD, WESTON LOCK, LOWER BRISTOL ROAD BATH BA2 1EP</p>	<p>SHT <b>1</b></p>	<p>DRAWING NO: <b>P10523</b></p>																												

TABLE 1

SHELL SIZE	ØA MAX	B THREAD
09	21,0	0.625-0.1P-0.3L-TS
11	24,5	0.750-0.1P-0.3L-TS
13	28,0	0.875-0.1P-0.3L-TS
15	30,0	1.000-0.1P-0.3L-TS
17	34,0	1.1875-0.1P-0.3L-TS
19	37,0	1.250-0.1P-0.3L-TS
21	40,0	1.375-0.1P-0.3L-TS
23	43,0	1.500-0.1P-0.3L-TS
25	47,0	1.625-0.1P-0.3L-TS

TABLE 2

EYELET REF.	ØF
01	3,2
02	3,7
03	4,3
04	5,3
05	6,4

TABLE 3

RING REF.	ØE MAX
09	18,0
11	21,4
13	25,8
15	28,8
17	32,0
19	35,0
21	38,3
23	41,7
25	44,6

TABLE 4

CODE	LANYARD TYPE
WR	NYLON COVERED (CLEAR) STAINLESS STEEL WIRE ROPE
TC	TEFLON COVERED (CLEAR) STAINLESS STEEL WIRE ROPE
WG	TEFLON COVERED (OLIVE DRAB) STAINLESS STEEL WIRE ROPE
WB	TEFLON COVERED (BLACK) STAINLESS STEEL WIRE ROPE
WRB	PVC COVERED (BLACK) STAINLESS STEEL WIRE ROPE
LC	LINK CHAIN
BK	BLACK CORD
VGB	1,5mm BLACK POLYESTER CORD EQV. TO DIN83330-E1,5
R	OLIVE DRAB POLYESTER CORD
NB	OLIVE DRAB NYLON CORD
NK	BLACK NYLON CORD

TABLE 5

CODE	MATERIAL	GASKET MATERIAL
1	ALUMINIUM	SILICONE
2	NICKEL ALUMINIUM BRONZE	SILICONE
4	STAINLESS STEEL	SILICONE
7	BLACK ACETAL	SILICONE
74	COMPOSITE	SILICONE
46	STAINLESS STEEL 316	SILICONE

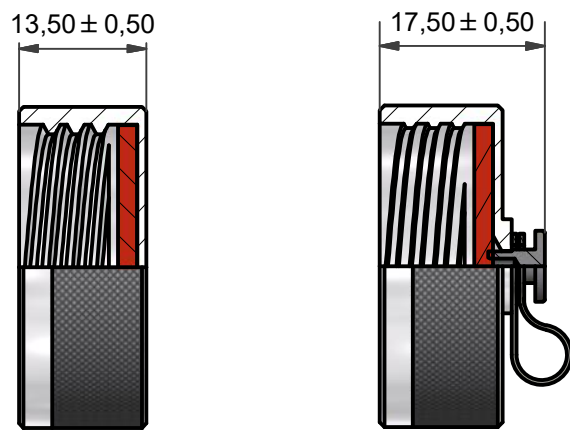
LIST NOT EXHAUSTIVE, SEE MATERIAL TABLE FOR OTHER OPTIONS

TABLE 6

PLATING CODE	PLATING DESCRIPTION	ROHS COMPLIANT	ENVIRONMENT PROTECTION/ CONDUCTIVITY
B	CADMIUM, OLIVE DRAB (5-10 MICRONS) QQ-P-416, TYPE II, CLASS 3 OVER ELECTROLESS NICKEL	YES (SUBJECT TO EXEMPTION)	CONDUCTIVE 500 HRS SALT SPRAY. EXEMPTION APPLICABLE FOR AEROSPACE / MILITARY APPLICATIONS. SEE ROHS WEBSITES FOR MORE INFORMATION.
C	ELECTROLESS NICKEL, AMS-C-26074, CLASS 4, GRADE B	YES	CONDUCTIVE
J	PASSIVATE, PER QQ-P-35 OR MI-S-5002	YES	ROHS COMPLIANT
U	UNPLATED CLEAN FINISH NOT SHOT BLASTED	YES	CONDUCTIVE
Z	SHOT BLAST FOR NON-REFLECTIVE FINISH	YES	CONDUCTIVE
ZB	ZINC COBALT (5-10 MICRONS) OVER ELECTROLESS NICKEL (2,5-7,5 MICRONS) WITH A OLIVE DRAB CHROMATE CONVERSION	YES	CONDUCTIVE 350 HRS SALT SPRAY
ZN	ZINC NICKEL BLACK PASSIVATE (5-12 MICRONS) OVER ELECTROLESS NICKEL (8-12 MICRONS), ASTM B 841 CLASS 1	YES (SUBJECT TO TESTING)	ROHS COMPLIANT (SUBJECT TO TESTING)

LIST NOT EXHAUSTIVE, SEE PLATING TABLE FOR OTHER OPTIONS

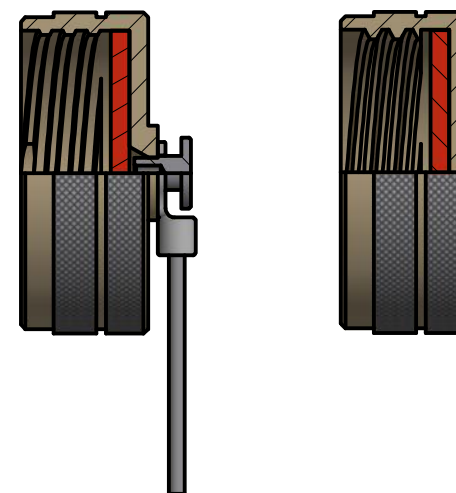
WITHOUT ATTACHMENT



100P160-17-1-C  
NO ATTACHMENT VERSION

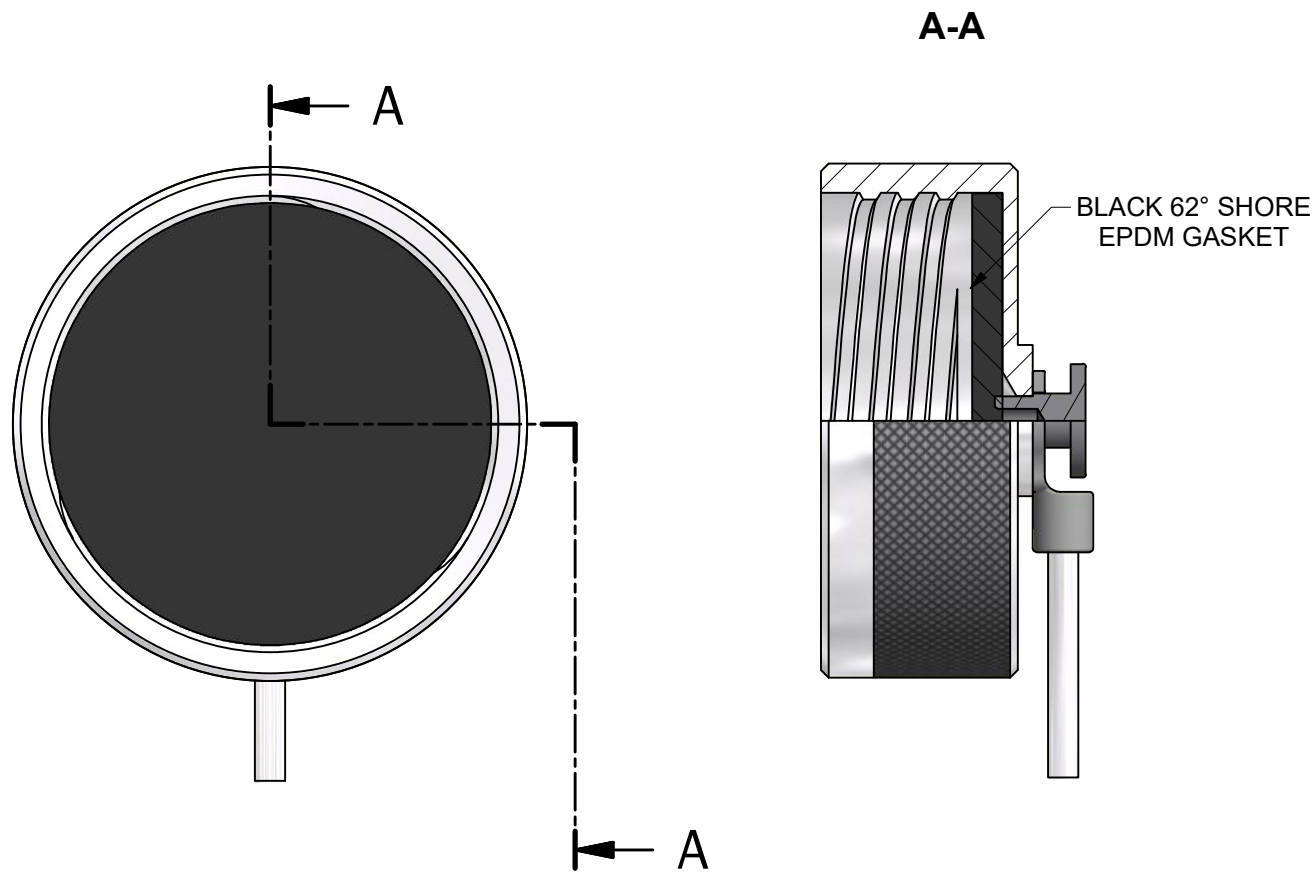
100P160-17-1-C-EO  
EYELET ONLY VERSION  
(NO LANYARD)

COMPOSITE VERSION



<table border="1"> <tr><td>DRAWN</td><td>W.RUST</td><td>DATE</td><td>12/02/2014</td></tr> <tr><td>SALES APPR</td><td></td><td>DATE</td><td>12/02/2014</td></tr> <tr><td>DESIGN APPR</td><td></td><td></td><td></td></tr> <tr><td>PROD APPR</td><td></td><td></td><td></td></tr> <tr><td>QUAL APPR</td><td></td><td></td><td></td></tr> <tr><td>ISSUE</td><td>REV.</td><td>DCR</td><td>7332</td></tr> <tr><td>AA</td><td></td><td></td><td></td></tr> </table>	DRAWN	W.RUST	DATE	12/02/2014	SALES APPR		DATE	12/02/2014	DESIGN APPR				PROD APPR				QUAL APPR				ISSUE	REV.	DCR	7332	AA				<p>3RD ANGLE PROJECTION NOT TO SCALE</p> <p>UNLESS OTHERWISE SPECIFIED ALL DIMENSIONS IN MILLIMETRES GENERAL TOL LINEAR +/-0,25MM ANGULAR +/- 1°</p> <p><b>MATERIAL</b> SEE PART NUMBER BREAKDOWN</p> <p><b>FINISH</b> SEE PART NUMBER BREAKDOWN</p>	<p>PART NUMBER: <b>100P160 SERIES</b></p> <p>TITLE: <b>PROTECTION CAP ASSEMBLY</b></p> <p>ASSY USED ON: MIL-DTL-38999 SERIES III</p>	<p>Polamco</p> <p>TE connectivity</p>
DRAWN	W.RUST	DATE	12/02/2014																												
SALES APPR		DATE	12/02/2014																												
DESIGN APPR																															
PROD APPR																															
QUAL APPR																															
ISSUE	REV.	DCR	7332																												
AA																															
<p>NCAGE CODE U5792</p> <p>WEIGHT</p>	<p>THIS DRAWING IS COPYRIGHT AND THE PROPERTY OF POLAMCO LTD IT MUST NOT BE COPIED, USED FOR MANUFACTURE OR OTHERWISE DISCLOSED WITHOUT PRIOR WRITTEN CONSENT OF THE COMPANY.</p>	<p>POLAMCO LTD, WESTON LOCK, LOWER BRISTOL ROAD BATH BA2 1EP</p>	<p>SHT 2</p> <p>DRAWING NO: P10523</p>																												

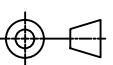
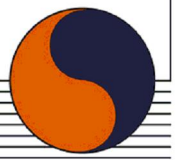

OPTIONAL GASKET:



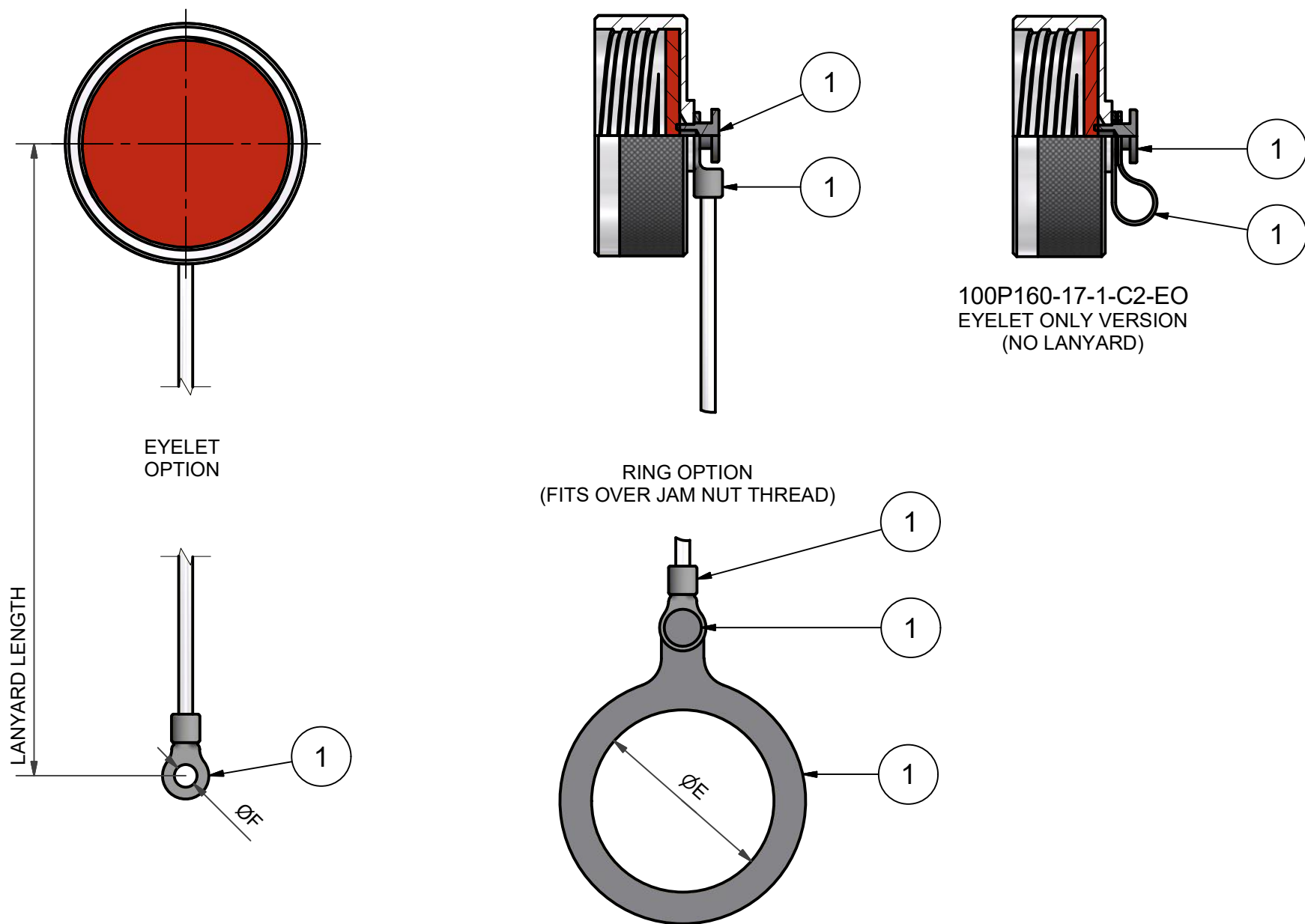
OMIT FOR NO ATTACHMENT  
(SEE SHEET 2)

100P160-17-1-C-WR4-17-EPDM

SERIES  
SHELL SIZE (TABLE 1)  
MATERIAL (TABLE 5)  
FINISH (TABLE 6)  
LANYARD TYPE (TABLE 4)  
LANYARD LENGTH (IN INCHES)  
+1,0"/-0" TOLERANCE  
ATTACHMENT (SEE ABOVE)  
EPDM GASKET

DRAWN	W.RUST	DATE	 3RD ANGLE PROJECTION NOT TO SCALE	PART NUMBER:		 <b>100P160 SERIES</b>
SALES APPR		12/02/2014		TITLE:		
DESIGN APPR		12/02/2014	UNLESS OTHERWISE SPECIFIED ALL DIMENSIONS IN MILLIMETRES GENERAL TOL LINEAR +/-0,25MM ANGULAR +/- 1°	ASSY USED ON: MIL-DTL-38999 SERIES III		
PROD APPR				<b>MATERIAL</b> SEE PART NUMBER BREAKDOWN  <b>FINISH</b> SEE PART NUMBER BREAKDOWN	THIS DRAWING IS COPYRIGHT AND THE PROPERTY OF POLAMCO LTD IT MUST NOT BE COPIED, USED FOR MANUFACTURE OR OTHERWISE DISCLOSED WITHOUT PRIOR WRITTEN CONSENT OF THE COMPANY.	
QUAL APPR			SHT		DRAWING NO: <b>P10523</b>	
ISSUE	REV.	DCR	WEIGHT			<b>3</b>
AA		7332	NCAGE CODE U5792			



WITH PLATED ACCESSORIES



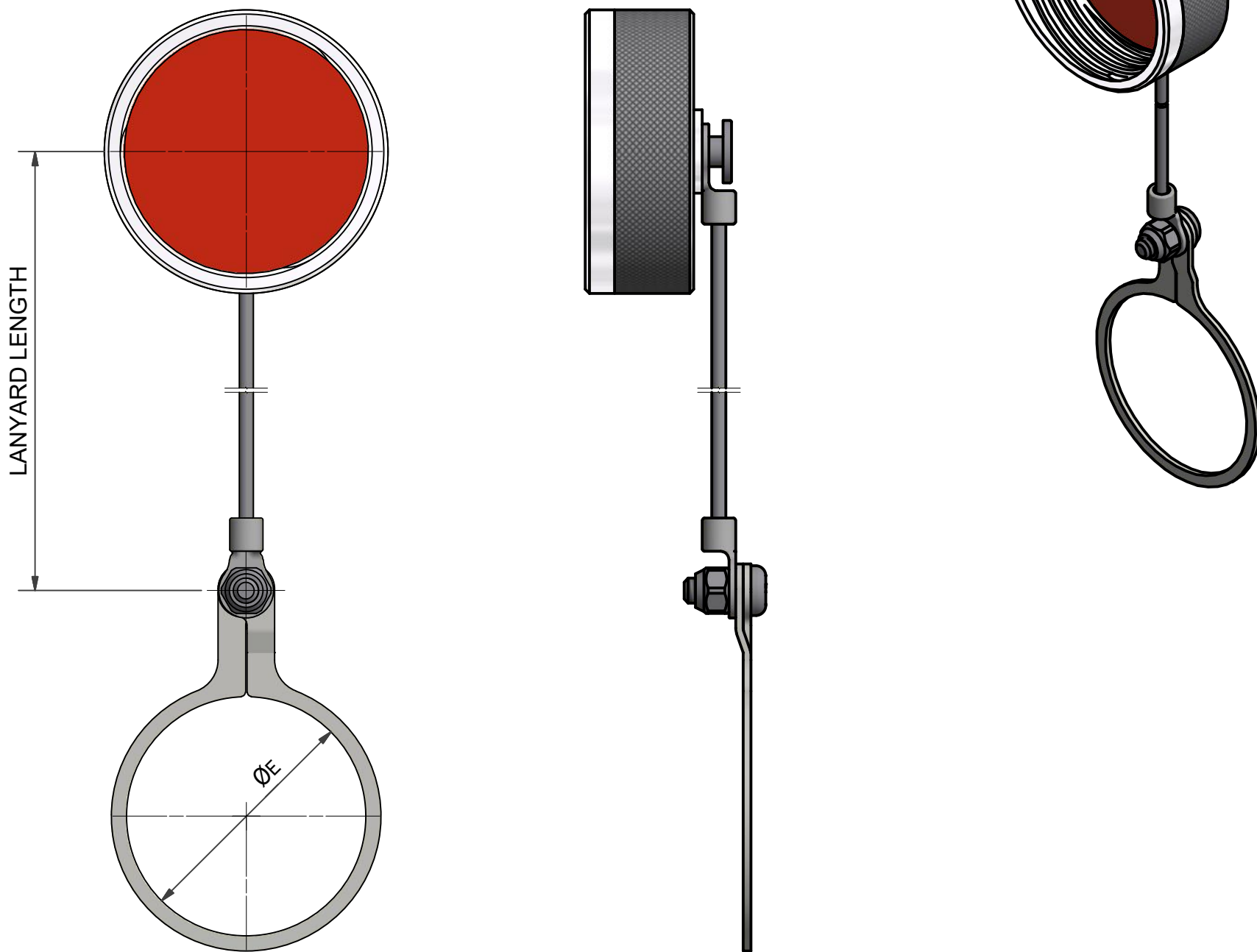
100P160-17-1-C2-WR4-17

SERIES \_\_\_\_\_  
 SHELL SIZE (TABLE 1) \_\_\_\_\_  
 MATERIAL (TABLE 5) \_\_\_\_\_  
 FINISH (TABLE 6) \_\_\_\_\_  
 PLATED EYELETS, RIVETS  
 AND RINGS - AVAILABLE  
 FOR PLATING CODES B, C, ZB, ZN  
 (SEE NOTE)  
 LANYARD TYPE (TABLE 4) \_\_\_\_\_  
 LANYARD LENGTH (IN INCHES)  
 +1,0"/-0" TOLERANCE  
 ATTACHMENT (SEE ABOVE) \_\_\_\_\_

NOTE:  
 1. ALL COMPONENTS INDICATED TO BE PLATED THE SAME AS CAP WHEN CODE "2" IS INSERTED IN THE PART NUMBER

DRAWN W.RUST SALES APPR DESIGN APPR PROD APPR QUAL APPR ISSUE AA REV. DCR 7332 NCAGE CODE U5792 WEIGHT	DATE 12/02/2014 12/02/2014 UNLESS OTHERWISE SPECIFIED ALL DIMENSIONS IN MILLIMETRES GENERAL TOL LINEAR +/-0,25MM ANGULAR +/- 1° MATERIAL SEE PART NUMBER BREAKDOWN FINISH SEE PART NUMBER BREAKDOWN	3RD ANGLE PROJECTION NOT TO SCALE PART NUMBER: 100P160 SERIES TITLE: RECEPTACLE PROTECTION CAP ASSY USED ON: MIL-DTL-38999 SERIES III THIS DRAWING IS COPYRIGHT AND THE PROPERTY OF POLAMCO LTD IT MUST NOT BE COPIED, USED FOR MANUFACTURE OR OTHERWISE DISCLOSED WITHOUT PRIOR WRITTEN CONSENT OF THE COMPANY.	 Polamco  POLAMCO LTD, WESTON LOCK, LOWER BRISTOL ROAD BATH BA2 1EP SHT 4 DRAWING NO: P10523
--	--	---	---

SPLIT RING OPTION:



OMIT FOR NO ATTACHMENT  
(SEE SHEET 2)

100P160-17-1-C-WR4-C17

SERIES \_\_\_\_\_  
 INSERT 'F' FOR \_\_\_\_\_  
 FLUOROSILICONE GASKET  
 OMIT FOR STANDARD  
 SILICONE GASKET  
 SHELL SIZE (TABLE 1) \_\_\_\_\_  
 MATERIAL (TABLE 5) \_\_\_\_\_  
 FINISH (TABLE 6) \_\_\_\_\_  
 LANYARD TYPE (TABLE 4) \_\_\_\_\_  
 LANYARD LENGTH (IN INCHES) \_\_\_\_\_  
 +1,0"/-0" TOLERANCE  
 ATTACHMENT  
 C - SPLIT RING \_\_\_\_\_  
 17 - RING SIZE (SEE TABLE 3) \_\_\_\_\_

DRAWN	W.RUST	DATE	3RD ANGLE PROJECTION NOT TO SCALE	PART NUMBER:		 Polamco  TE connectivity
SALES APPR		12/02/2014		100P160 SERIES		
DESIGN APPR		12/02/2014	UNLESS OTHERWISE SPECIFIED ALL DIMENSIONS IN MILLIMETRES GENERAL TOL LINEAR +/-0,25MM ANGULAR +/- 1°	TITLE:		DRAWING NO: P10523
PROD APPR				RECEPTACLE PROTECTION COVER		
QUAL APPR			<b>MATERIAL</b> SEE PART NUMBER BREAKDOWN  <b>FINISH</b> SEE PART NUMBER BREAKDOWN	ASSY USED ON: MIL-DTL-38999 SERIES III		SHT 5
ISSUE	REV.	DCR		THIS DRAWING IS COPYRIGHT AND THE PROPERTY OF POLAMCO LTD IT MUST NOT BE COPIED, USED FOR MANUFACTURE OR OTHERWISE DISCLOSED WITHOUT PRIOR WRITTEN CONSENT OF THE COMPANY.		
AA		7332	NCAGE CODE U5792    WEIGHT _____		DRAWING NO: P10523	