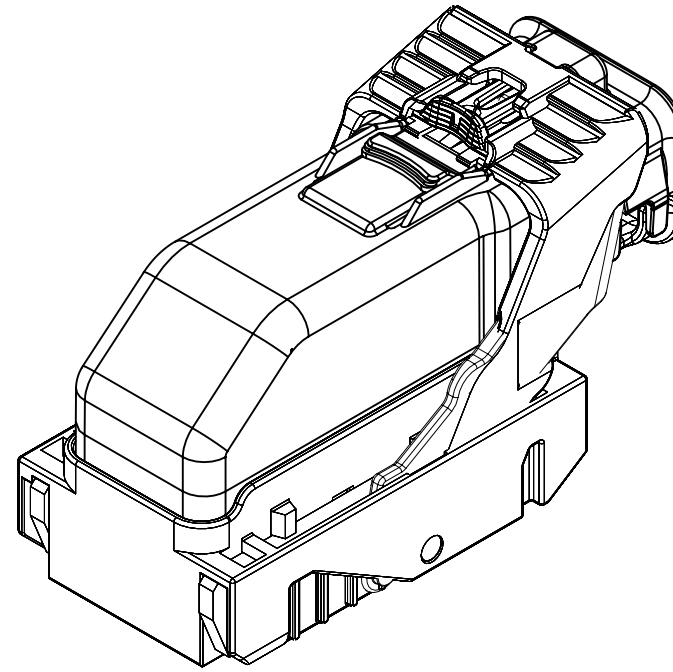

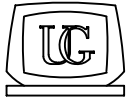


INDEX	
PAGE TITLE	PAGE
TITLE BLOCK	1
REVISION BLOCK	2
PART BLOCK	3
KPC BLOCK	4
COMPONENT TABLE	5
NOTES	6
NOTES	7
WIRE DRESS PACKAGING DIMENSIONS	8
LOCATION AND PACKAGING DIMENSIONS REFERENCING INTERFACE DATUMS B & C	9
LOCATION AND PACKAGING DIMENSIONS REFERENCING INTERFACE DATUM A	10
KEY ID REF - WIRE DRESS OPTION 0	11
KEY ID REF - WIRE DRESS OPTION 9	12
CIRCUIT CONFIGURATIONS	13
CIRCUIT CONFIGURATIONS	14
COMPONENT CONNECTOR INTERFACE	15
COMPONENT CONNECTOR INTERFACE	16
COMPONENT CONNECTOR INTERFACE	17
COMPONENT CONNECTOR INTERFACE	18
COMPONENT CONNECTOR INTERFACE	19
COMPONENT CONNECTOR INTERFACE	20
COMPONENT CONNECTOR INTERFACE	21



ISO VIEW

	<p><b>UNLESS OTHERWISE SPECIFIED:</b> THIS DOCUMENT IS IN ACCORDANCE WITH ASME Y14.5M-1994 AS AMMENDED BY THE GM GLOBAL DIMENSIONING AND TOLERANCING ADDENDUM-1997. ALL GEOMETRIC TOLERANCES AND RELATED DATUMS APPLY RFS. RULE #1 (PERFECT FORM AT MMC) DOES NOT APPLY WHEN A RELATIONSHIP BETWEEN FEATURES IS ESTABLISHED BY ORIENTATION OR LOCATION TOLERANCES. SEPARATE POSITION CALLOUTS MAY BE GAGED SEPARATELY REGARDLESS OF DATUM REFERENCES.</p>			DATE
	 CHANGE RESTRICTED NO MANUAL CHANGES	REFERENCE 12H (MOLEX AUTOMOTIVE)	DRAFTER J SZYMKOWSKI APVD1 D PFAFFINGER APVD2 B BURT APVD3 APVD4 APVD5	22DE05 22DE05 22DE05    
DO NOT SCALE	DRAWING NAME HARNESS CONN ASM 66/73/80 CKTS			
METRIC DIMENSIONS SHOWN IN MILLIMETERS UNLESS OTHERWISE SPECIFIED	DRAWING NUMBER 12642695			
	DWG STATUS		PAGE NUMBER	
	ST	REV	PD1	
	R	002	1 OF 21	

PAGE	DWG STATUS					REVISION HISTORY	AUTH	DR	CK	ENG
	DATE	ST	REV	CHG	PDI					
	19DE11	R	001			RELEASED TO PRODUCTION AT DLS A	CRMRJB	SC	MRO	GF
3	08MY15	R	002	A		REORDERED PART BLOCK AND ADDED MASS CORRECTED P/N TYPO FROM 12562676 TO 12582676				
3, 5		R	002	B		ADDED 12659312, 12659313, 12653574 AND 12653575				
6		R	002	C		REMOVED NOTE 1 . D . 3 . C				
20		R	002	D		DIM 125 WAS 3.25 DIM 131 WAS 5.5	CRMRJD	DFK	MRO	GF

PAGE	DWG STATUS					REVISION HISTORY	AUTH	DR	CK	ENG
	DATE	ST	REV	CHG	PDI					



KEY PRODUCT CHARACTERISTICS  
(IN ACCORDANCE WITH QN 1805 OR ON 1050)



SAFETY/COMPLIANCE

TOTAL ON  
DRAWING

5



FIT/FUNCTION

LAST NO.  
USED

5

NO	TYPE	DESCRIPTION	RATIONALE	PAGE/ZONE
1	F/F	32.68	IMPROVE CONNECTOR SYSTEM MATING	15
2	F/F	29.00	INSURE PROPER RELEASE OF LEVER	15
3	F/F	15.25	INSURE FINAL MATE POSITION	16
5	F/F	POSITIONAL TOLERANCE (2 PLACES)	INSURE CONNECTOR SYSTEM MATEABILITY	19



PAGE TITLE  
KPC BLOCK

DRAWING NUMBER

12642695

DWG STATUS

ST	REV	PD1
----	-----	-----

R	002	
---	-----	--

PAGE NUMBER

4 OF 21

LINE	MFG.	MFG. P/N	GM P/N	EFFECTIVE DATE	APPLICABLE COMPONENTS		KEY OPTION	WIRE DRESS OPTION	KEY CONFIG.	COLOR	STATUS
						DESCRIPTION					
-											
1	MOLEX	34565-0003	12582676	02JN03		MX123 DRESS COVER 66/73/80 CKT	N/A	N/A	N/A	BLACK	AVAILABLE
2	MOLEX	34822-0013	12642692	01SP13		MX123 HRNS CONN ASSY 66 CKT	A	0	1458	BLACK	AVAILABLE
3	MOLEX	34822-0033	12659312	01SP13		MX123 HRNS CONN ASSY 66 CKT	C	0	2467	BLUE	AVAILABLE
4	MOLEX	34822-0023	12642693	01SP13		MX123 HRNS CONN ASSY 66 CKT	A	9	1458	BLACK	AVAILABLE
5	MOLEX	34822-0043	12659313	01SP13		MX123 HRNS CONN ASSY 66 CKT	C	9	2467	BLUE	AVAILABLE
6	MOLEX	34566-0103	12582677	11JN04		MX123 HRNS CONN ASSY 73 CKT	A	0	1458	BLACK	AVAILABLE
7	MOLEX	34566-0203	12582678	11JN04		MX123 HRNS CONN ASSY 73 CKT	B	0	1468	ST GRAY	AVAILABLE
8	MOLEX	34566-0303	12615654	09AP08		MX123 HRNS CONN ASSY 73 CKT	C	0	2467	BLUE	AVAILABLE
9	MOLEX	34566-0403	12647268	T.B.D		MX123 HRNS CONN ASSY 73 CKT	D	0	2367	BROWN	NOT ACTIVE
10	MOLEX	34566-0503	AMJ28633	T.B.D		MX123 HRNS CONN ASSY 73 CKT	E	0	2468	GREEN	NOT ACTIVE
11	MOLEX	34566-0603	12653574	05DC14		MX123 HRNS CONN ASSY 73 CKT	F	0	1357	NATURAL	AVAILABLE
12	MOLEX	34566-0703	12588057	09AP08		MX123 HRNS CONN ASSY 80 CKT	G	0	1358	BLUE	AVAILABLE
13	MOLEX	34566-0803	12588058	11JN04		MX123 HRNS CONN ASSY 80 CKT	H	0	2458	ST GRAY	AVAILABLE
14	MOLEX	34566-0903	12615656	T.B.D		MX123 HRNS CONN ASSY 80 CKT	J	0	2457	BLACK	NOT ACTIVE
15	MOLEX	34566-1003	AMJ28595	T.B.D		MX123 HRNS CONN ASSY 80 CKT	K	0	2357	BROWN	NOT ACTIVE
16	MOLEX	34566-1103	AMJ29057	T.B.D		MX123 HRNS CONN ASSY 80 CKT	L	0	2368	GREEN	NOT ACTIVE
17	MOLEX	34566-1203	AMJ28669	T.B.D		MX123 HRNS CONN ASSY 80 CKT	M	0	2358	NATURAL	NOT ACTIVE
18	MOLEX	34566-1303	12603596	11JN04		MX123 HRNS CONN ASSY 73 CKT	A	9	1458	BLACK	AVAILABLE
19	MOLEX	34566-1403	12603597	11JN04		MX123 HRNS CONN ASSY 73 CKT	B	9	1468	ST GRAY	AVAILABLE
20	MOLEX	34566-1503	12615655	09AP08		MX123 HRNS CONN ASSY 73 CKT	C	9	2467	BLUE	AVAILABLE
21	MOLEX	34566-1603	12647269	T.B.D		MX123 HRNS CONN ASSY 73 CKT	D	9	2367	BROWN	NOT ACTIVE
22	MOLEX	34566-1703	AMJ28698	T.B.D		MX123 HRNS CONN ASSY 73 CKT	E	9	2468	GREEN	NOT ACTIVE
23	MOLEX	34566-1803	12653575	05DC14		MX123 HRNS CONN ASSY 73 CKT	F	9	1357	NATURAL	AVAILABLE
24	MOLEX	34566-1903	12603598	09AP08		MX123 HRNS CONN ASSY 80 CKT	G	9	1358	BLUE	AVAILABLE
25	MOLEX	34566-2003	12603599	11JN04		MX123 HRNS CONN ASSY 80 CKT	H	9	2458	ST GRAY	AVAILABLE
26	MOLEX	34566-2103	12615657	T.B.D		MX123 HRNS CONN ASSY 80 CKT	J	9	2457	BLACK	NOT ACTIVE
27	MOLEX	34566-2203	AMJ29117	T.B.D		MX123 HRNS CONN ASSY 80 CKT	K	9	2357	BROWN	NOT ACTIVE
28	MOLEX	34566-2303	AMJ29136	T.B.D		MX123 HRNS CONN ASSY 80 CKT	L	9	2368	GREEN	NOT ACTIVE
29	MOLEX	34566-2403	AMJ29214	T.B.D		MX123 HRNS CONN ASSY 80 CKT	M	9	2358	NATURAL	NOT ACTIVE
30	MOLEX	34736-2002	12642697	01AU10		MX64 RCPT TERM Ag 18/20 GAGE B (RIGHT PAYOFF)	N/A	N/A	N/A	N/A	AVAILABLE
31	MOLEX	34736-2001	12642696	01AU10		MX64 RCPT TERM Ag 22 GAGE B (RIGHT PAYOFF)	N/A	N/A	N/A	N/A	AVAILABLE
32	MOLEX	34586-0001	T.B.D.	11JN04		MX123 0.64MM GROMMET PLUG	N/A	N/A	N/A	NATURAL	AVAILABLE
33	YAZAKI	7116-4150-02	12588066	02JN03		2.8mm YESC SEALED FEMALE TERMINAL TIN 20/22 GAGE (CABLE RANGE 0.30mm-0.60mm)	N/A	N/A	N/A	N/A	NOT ACTIVE
34	YAZAKI	7116-4151-02	12588067	02JN03		2.8mm YESC SEALED FEMALE TERMINAL TIN 16/18 GAGE (CABLE RANGE 0.75mm-1.40mm)	N/A	N/A	N/A	N/A	NOT ACTIVE
35	YAZAKI	7116-4152-02	12582685	02JN03		2.8mm YESC SEALED FEMALE TERMINAL TIN 14 GAGE (CABLE RANGE 1.50mm-2.50mm)	N/A	N/A	N/A	N/A	AVAILABLE
36	YAZAKI	7158-3111-60	12588068	02JN03		2.8mm CABLE SEAL (wire O.D. range 1.20mm-1.90mm)	N/A	N/A	N/A	GREEN	NOT ACTIVE
37	YAZAKI	7158-3112-70	12588069	02JN03		2.8mm CABLE SEAL (wire O.D. range 1.80mm-2.30mm)	N/A	N/A	N/A	YELLOW	NOT ACTIVE
38	YAZAKI	7158-3113-40	12582686	02JN03		2.8mm CABLE SEAL (wire O.D. range 2.18mm-3.00mm)	N/A	N/A	N/A	WHITE	AVAILABLE
39	YAZAKI	7158-3114-90	T.B.D	02JN03		2.8mm YESC CAVITY PLUG	N/A	N/A	N/A	BLUE	AVAILABLE
40	MOLEX	63811-4200	XX019825	02JN03		MX64 TERM HAND CRIMP TOOL	N/A	N/A	N/A	N/A	AVAILABLE
41	MOLEX	63813-1400	XX019826	02JN03		MX64 TERM SERVICE TOOL	N/A	N/A	N/A	N/A	AVAILABLE
42	MOLEX	63865-8000	XX019827	02JN03		MX64 CRIMP APPLICATOR with TOOL KIT 18/20 GAGE PAYOFF DIRECTION D (left payoff) (contact Molex for payoff detail)	N/A	N/A	N/A	N/A	AVAILABLE
43	MOLEX	63865-8070	XX019828	02JN03		MX64 APPLICATOR TOOL KIT 18/20 GAGE	N/A	N/A	N/A	N/A	AVAILABLE
44	MOLEX	63865-8100	XX019829	02JN03		MX64 CRIMP APPLICATOR with TOOL KIT 22 GAGE PAYOFF DIRECTION D (left payoff) (contact Molex for payoff detail)	N/A	N/A	N/A	N/A	AVAILABLE
45	MOLEX	63865-8170	XX019830	02JN03		MX64 APPLICATOR TOOL KIT 22 GAGE	N/A	N/A	N/A	N/A	AVAILABLE
46	SPX	J35616-64	T.B.D.	02JN03		0.64mm PROBE TOOL (for rcpt)	N/A	N/A	N/A	N/A	AVAILABLE
47	SPX	J35616-64A	T.B.D.	02JN03		0.64mm PROBE TOOL WITH EXT (for rcpt)	N/A	N/A	N/A	N/A	AVAILABLE
48	SPX	J35616-65	T.B.D.	02JN03		0.64mm PROBE TOOL WITH EXT (for pin)	N/A	N/A	N/A	N/A	AVAILABLE
49	SPX	J35616-4A	T.B.D.	02JN03		2.8mm PROBE TOOL (for rcpt)	N/A	N/A	N/A	N/A	AVAILABLE
50	YAZAKI	X39899-J374	12094430	02JN03		2.8mm TERM SERVICE TOOL	N/A	N/A	N/A	N/A	AVAILABLE

002B

\* - MX123 DRESS COVER 73/80/66 CKT MATES TO ANY MX123 HARN CONN ASSY SHOWN ON TABLE ABOVE



PAGE TITLE  
COMPONENT TABLE

DRAWING NUMBER

12642695

DWG STATUS

ST REV PDI

R 002

PAGE NUMBER

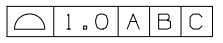
5 OF 21

NOTES: UNLESS OTHERWISE SPECIFIED

1. MATERIAL FOR INTERFACE:

- A. RESIN:
  - 1. 30% G.F. PBT; 20% MAX. (BY WEIGHT) REGRIND.
  - 2. MATING CONNECTOR INTERFACE PART COLOR MUST BE SAME AS MATCHING KEYED HARNESS CONNECTOR ASSEMBLY.
  - 3. MUST BE VALIDATED FOR INDIVIDUAL DEVICE APPLICATION REQUIREMENTS.
- B. 0.64MM PINS:
  - 1. BASE MATERIAL: COPPER ALLOY; CONDUCTIVITY >= 28% IACS AT 20°C; TENSILE STRENGTH >= 635 N/mm<sup>2</sup>; SURFACE ROUGHNESS R<sub>a</sub> 6 MAX.
  - 2. PLATING FINISH: SILVER (Ag). PLATING TO BE 1.9-3.3 μm ELECTRODEPOSITED SEMI-BRIGHT SILVER OVER 1.25-2.25 μm DUCTILE SULPHAMATE NICKEL PER NOTE 1(D).
  - 3. ANTI-TARNISH: SYNTHETIC HYDROCARBON CONTACT SURFACE FINISH OR EQUIVALENT APPLIED WITHOUT VOID TO CONTACT AREA (MIN 3.7mm FROM PIN TIP).
- C. 2.8MM BLADE:
  - 1. BASE MATERIAL: COPPER ALLOY; CONDUCTIVITY >= 28% IACS AT 20°C; TENSILE STRENGTH >= 350 N/mm<sup>2</sup>; SURFACE ROUGHNESS R<sub>a</sub> 6 MAX.
  - 2. PLATING FINISH: TIN. PLATING TO BE 2.5-5.0 μm ELECTRODEPOSITED TIN, MATTE FINISH OVER 1.25-2.5 μm DUCTILE SULPHAMATE NICKEL PER NOTE 1(D).
- D. PLATING REQUIREMENTS:
  - 1. SILVER PLATING
    - a. 99.5% PURE SEMI-BRIGHT WITH NO ORGANIC BRIGHTNERS OR CHROMATES.
  - 2. NICKEL PLATING
    - a. ELECTRODEPOSITED DUCTILE SULFAMATE NICKEL WITH A NON-BRIGHTENED FINISH. NO ORGANIC OR BRIGHTENING AGENTS SHALL BE ALLOWED.
    - b. SHALL ONLY BE USED AS AN UNDERLYING PLATING AND MAY NOT BE USED AS AN ELECTRICAL CONTACT SURFACE PLATING.
    - c. SHALL BE NODULE FREE WHEN VIEWED AT 10X MAGNIFICATION IN MEASURED IN CONTACT SURFACE AREA PLUS 0.5MM PERIMETER AROUND THE CONTACT SURFACE AREA.
    - d. ALL PLATINGS SHALL HAVE A 1.0% MAXIMUM BY WEIGHT IMPURITIES. IMPURITIES ARE DEFINED AS ALL ELEMENTS NOT THE PRIMARY PLATING OR HARDENING AGENT IF APPLICABLE, AS DETERMINED BY WET CHEMICAL ANALYSIS OR AUGER METHOD. NO SINGLE IMPURITY SHALL EXCEED 0.1% MAXIMUM BY WEIGHT.
  - 3. TESTING
    - a. THICKNESS TO BE MEASURED IN CONTACT SURFACE AREA PLUS 0.5MM PERIMETER AROUND THE CONTACT SURFACE AREA AS DESIGNATED IN THE DRAWING. THICKNESS SHALL BE DETERMINED BY METHOD OF X-RAY (XRF).
    - b. PLATING ADHESION SHALL BE TESTED BY A BEND TEST FOR ALL METALS. THE TEST SAMPLE SHALL BE BENT 90 DEGREES TO DETERMINE DEPOSIT ADHESION. TESTING SHALL BE COMPLETED IN ACCORDANCE WITH ASTM SPEC B571.


2. DESIGN - GENERAL:

- A. THIS IS A 100% CAD GENERATED PART. THE CAD MATHEMATICAL DATA IS THE MASTER FOR THIS PART. FOR DIMENSIONAL OR ANY INFORMATION NOT SHOWN ON THIS DRAWING, ANALYZE THE CAD MODEL.
- B. TOLERANCES:
  - 1. LINEAR
    - 0.X ± 0.30
    - 0.XX ± 0.10
    - 0.XXX ± 0.10
  - 2. ANGULAR X° ± 3°
  - 3. 
- C. MINIMUM WALL THICKNESS REQUIRED: 1.3mm.
- D. CORNERS SHOWN AS SHARP TO BE R 0.2 MAX.
- E. LETTERING SHALL BE 0.15 MAX RAISED IN 0.20 MAX RECESS PAD. THIS INCLUDES MATERIAL CODE, RECYCLING CODE, CAVITY ID AND DATE CODE.
- F-1. PARTS MUST BE FREE OF DISCOLORATION, SALT RESIDUE AND OTHER IMPERFECTIONS THAT AFFECT FIT OR FUNCTION.
- F-2. SCRATCHES OR DENTS NOT TO EXCEED 0.013mm IN DEPTH.
- G. FOLLOWING PRODUCTION CODES TO BE PERMANENTLY MARKED & HUMAN READABLE TO A LETTER HEIGHT OF 1.5 ± 0.5MM X 0.3 MAX DEEP
  - 1. MATERIAL #: XXXXX-XXXX
  - 2. DATE CODE: JJYY (JULIAN DAY, LAST DIGIT OF YEAR)
  - 3. INSPECTION MACHINE CODE + SERIAL #: X\_XXXXX

3. DESIGN - MANUFACTURING:

- A. DRAFT TO BE WITHIN TOLERANCE.
- B. ALLOWABLE FLASH MAX 0.2 HIGH X MAX 0.13 THICK.
- C. ALLOWABLE PARTING LINE MISMATCH 0.2 MAX.
- D. EJECTOR PINS MARK TO BE FLUSH TO 0.25 MAX DEPRESSED.
- E. ALLOWABLE GATE VESTIGE FLUSH TO 0.25 MAX PROTRUSION.
- F. NO EXTERNAL MOLD RELEASE AGENT ALLOWED DURING MANUFACTURING.
- G. STEEL THAT FORMS THE INDICATED SURFACE MUST BE POLISHED WITH A DIAMOND FINISH (SPI A-2) OVER THE FULL PERIPHERY OF THE TOOL. SURFACE MUST HAVE NO MISMATCH.
- H. ANY PROCESS LUBRICANT REMAINING ON THE TERMINAL MUST NOT VARNISH OR DEGRADE IT'S ELECTRICAL PERFORMANCE UP TO A MAXIMUM CLASS AMBIENT TEMPERATURE PER SAE USCAR-2 FOR 1008 HOURS. PROCESS LUBRICANTS SHOULD BE APPROVED BY THE RESPONSIBLE ENGINEER.
- J. OPTIONAL FEATURES PROVIDED FOR AUTOMATION.
- K. PART MUST BE FREE FROM BURRS AND SHARP EDGES, WHICH MIGHT BE DETRIMENTAL TO SATISFACTORY ASSEMBLY, SAFE HANDLING OR FUNCTION OF PART.
- L. PARTS AS DELIVERED TO ASSEMBLY SHALL BE CLEAN AND FREE OF DEBRIS, RESIDUAL ABRASIVE MATERIAL AND CORROSION PRODUCTS ADVERESLY AFFECTING FUNCTION OR APPEARANCE.
- M. RESTRICTED AND REPORTABLE SUBSTANCES FOR PARTS PER GMW3059.

002C

	PAGE TITLE	DRAWING NUMBER <b>12642695</b>	DWG STATUS			PAGE NUMBER 6 OF 21
	NOTES		ST	REV	PDI	
			R	002		

NOTES: UNLESS OTHERWISE SPECIFIED

4. SYSTEM REQUIREMENTS:

- A. HARNESS CONNECTOR IS COMPATIBLE WITH THE FOLLOWING SAE WIRE SIZE NO'S:
  - 14, MEETING SAE J1128
  - 18, MEETING SAE J1128, MAX O.D. OF 2.06 MM
  - 20, MEETING SAE J1128
  - 22, MEETING SAE J1128, MIN O.D. OF 1.47 MM
- B. CABLE TIE SPECIFICATIONS:
  - 1. CABLE TIE:
    - TENSILE RATING: 220N / (50lbs) MIN
    - TIE LENGTH: 186mm MIN
    - TIE WIDTH: 4.75mm MAX
    - MATERIAL: NYLON
  - 2. INSTALLATION:
    - CABLE TIE TENSION: 190N MIN
  - 3. DRESSED WIRE BUNDLE PACKAGING: SEE FIG. 1
- C. WHEN MATED WITH COMPONENT CONNECTOR INTERFACE AND/OR DRESS COVER, HARNESS CONNECTOR SYSTEM CONFORMS TO THE FOLLOWING:
  - 1. SAE/USCAR-2, REV: 3 APRIL, 2001; CLASS 3
  - 2. FIELD CORRELATED LIFE TEST, SAE/USCAR-20, NOV. 2001
  - 3. GMW #3191 AUGUST 22, 2000 (DRAFT); TEMPERATURE CLASS 3, SEALING CLASS 1, VIBRATION CLASS 2
  - 4. RESTRICTED AND REPORTABLE CHEMICALS PER GMW #3059, REV: D AUGUST 2002
  - 5. TPA USER FORCES (FULLY POPULATED WITH TERMINALS)
    - a. REMOVAL FROM LOCK TO PRE-SET: <=120N
- D. WIRE SPECIFICATIONS:
  - 1. WIRE SURFACE MUST BE FREE OF SCRATCHES, GROOVES OR DENTS WHERE FUNCTIONAL

5. TERMINAL CURRENT RATINGS:

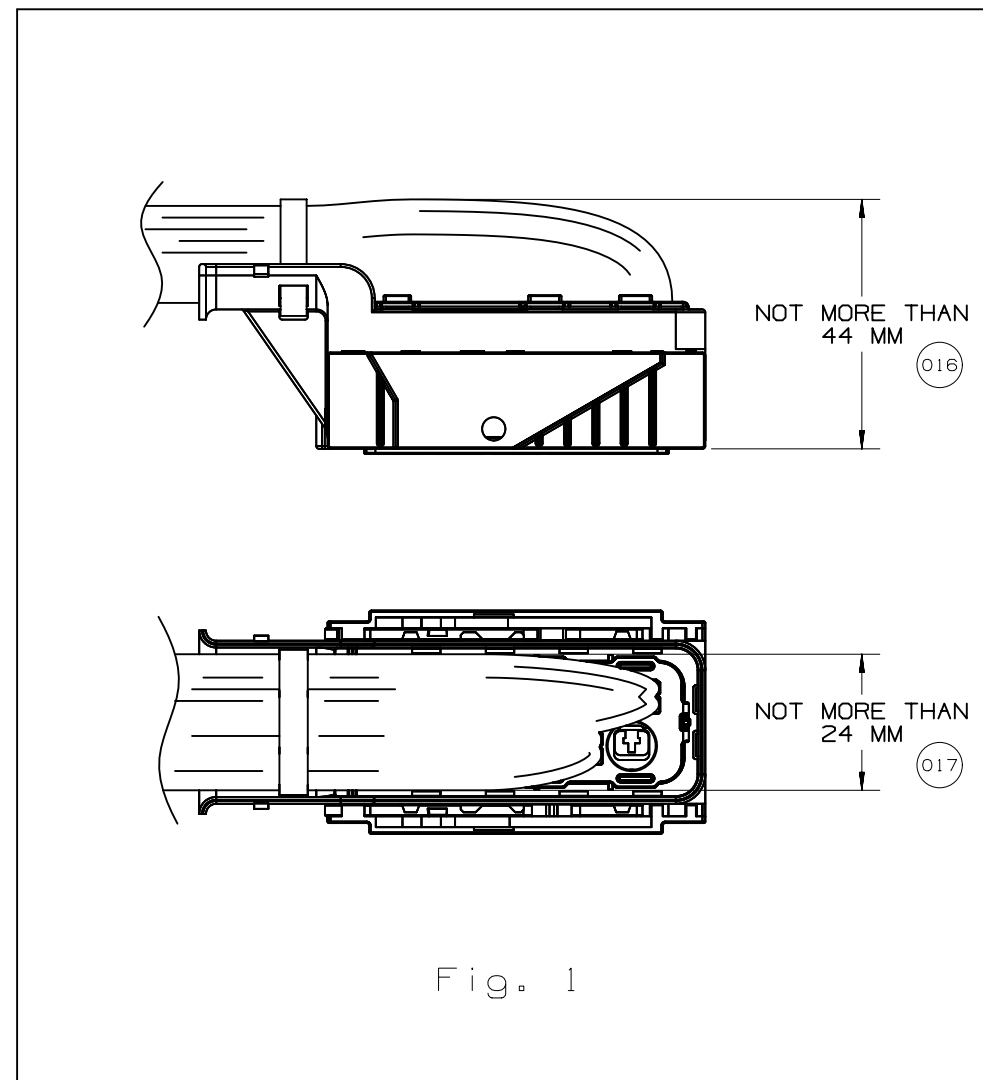
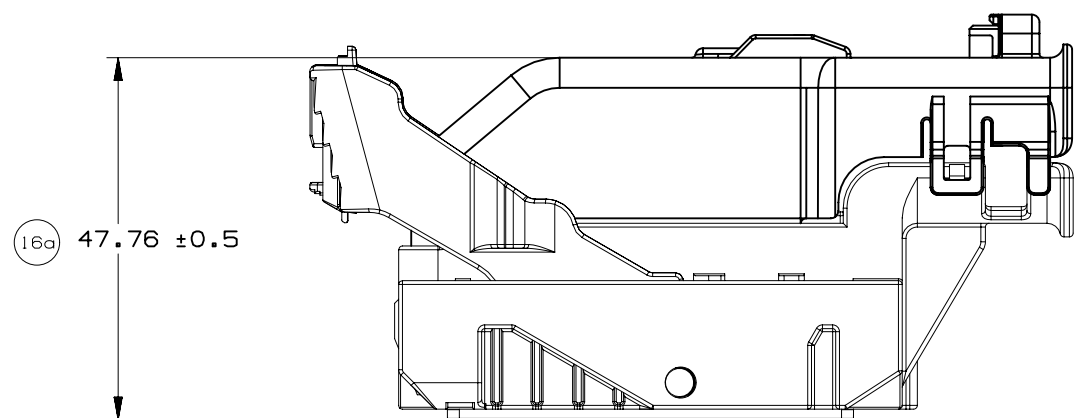
ALL TESTING DONE IN ACCORDANCE WITH USCAR-2 REV5 SECTION 5.3

- A. MX64 RCPT TERM
  - 1. MX64 RCPT TERM Ag 18/20 GAGE CRIMPED TO SAE WIRE SIZE NO.18 AND MATED TO MX123 0.64MM PIN: 11.3 AMPS
  - 2. MX64 RCPT TERM Ag 22 GAGE CRIMPED TO SAE WIRE SIZE NO.22 AND MATED TO MX123 0.64MM PIN:8.5 AMPS

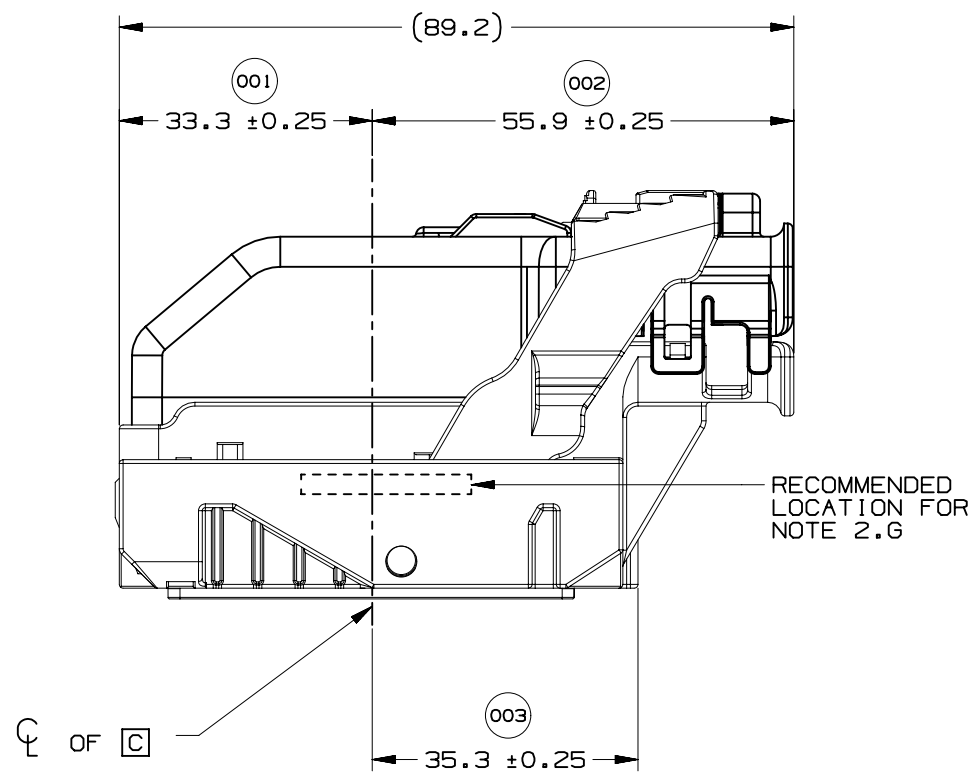
WIRE	CURRENT RATING			
	23°C	85°C	105°C	125°C
18AWG	11.3A	11.3A	9.5A	6.6A
20AWG	10.0A	10.0A	8.3A	5.7A
22AWG	8.6A	8.6A	7.1A	5.0A

- B. 2.8MM RCPT TERM
  - 1. 2.8MM RCPT TERM TIN 14 GAGE CRIMPED TO SAE WIRE SIZE NO.14 AND MATED TO MX123 2.8MM BLADE: 25.6 AMPS

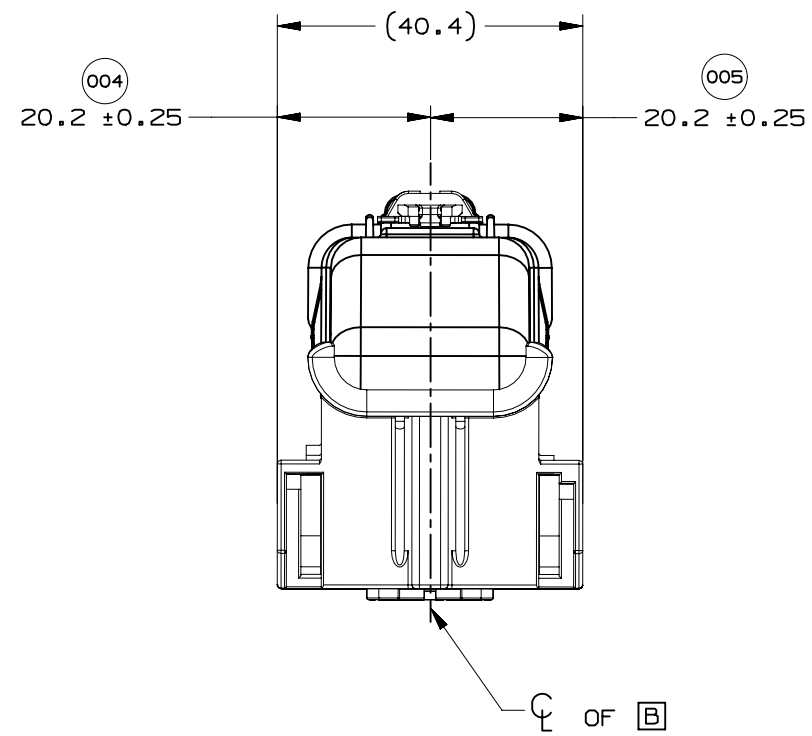
6. CONTACT MOLEX AUTOMOTIVE FOR AVAILABLE CUSTOM PATTERNS OF CAVITIES OPEN FOR CIRCUITS



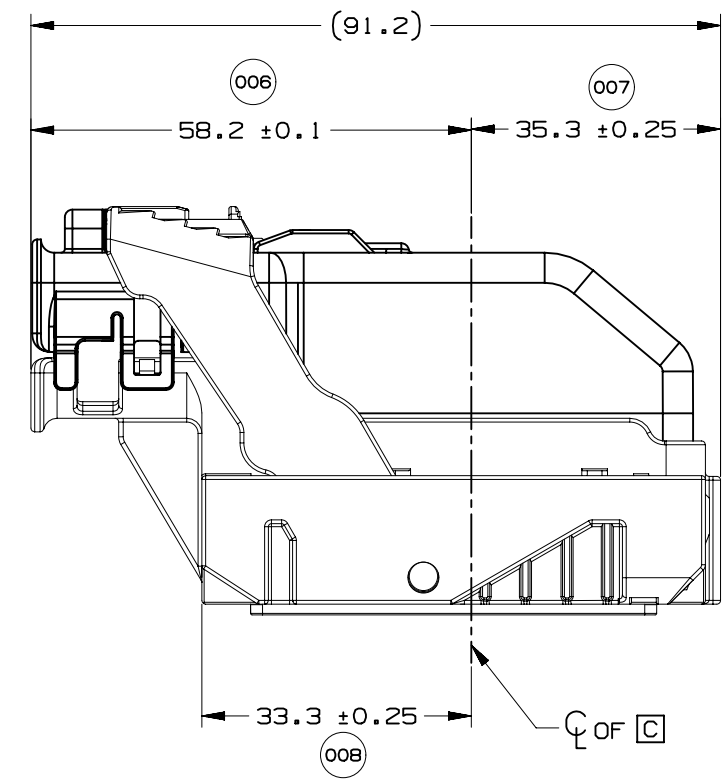




WIRE DRESS OPTION 0 SHOWN

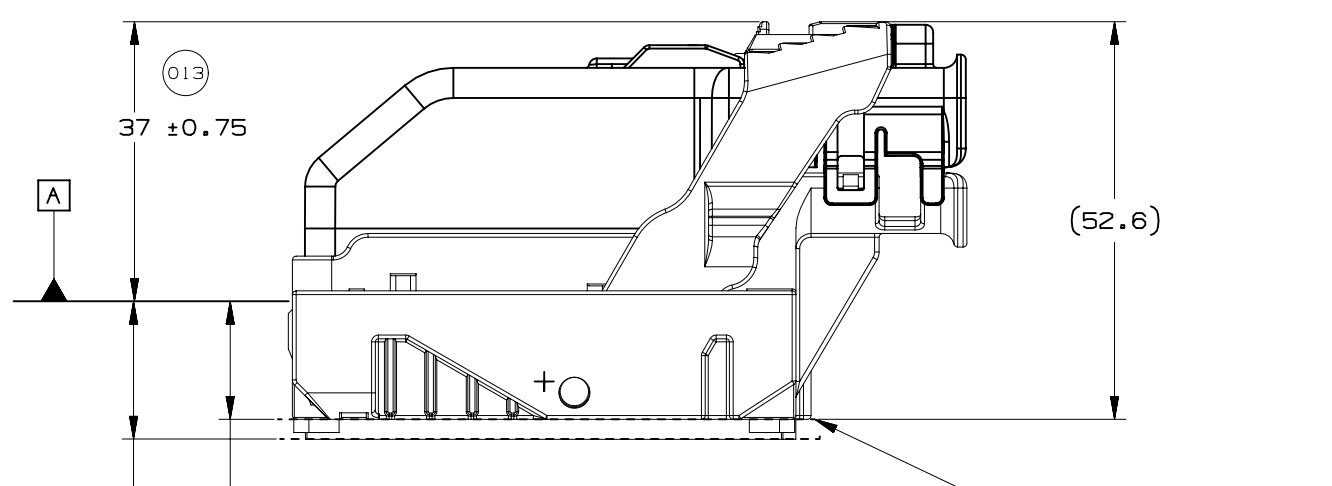
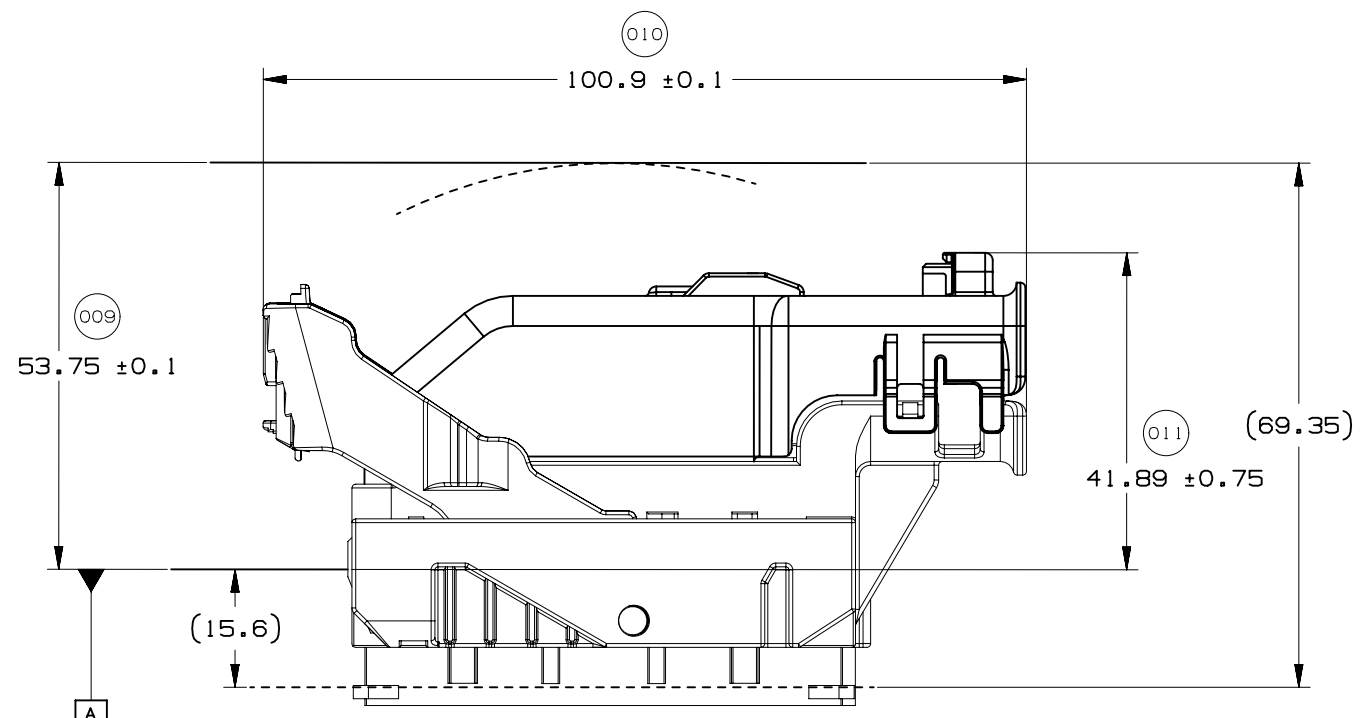
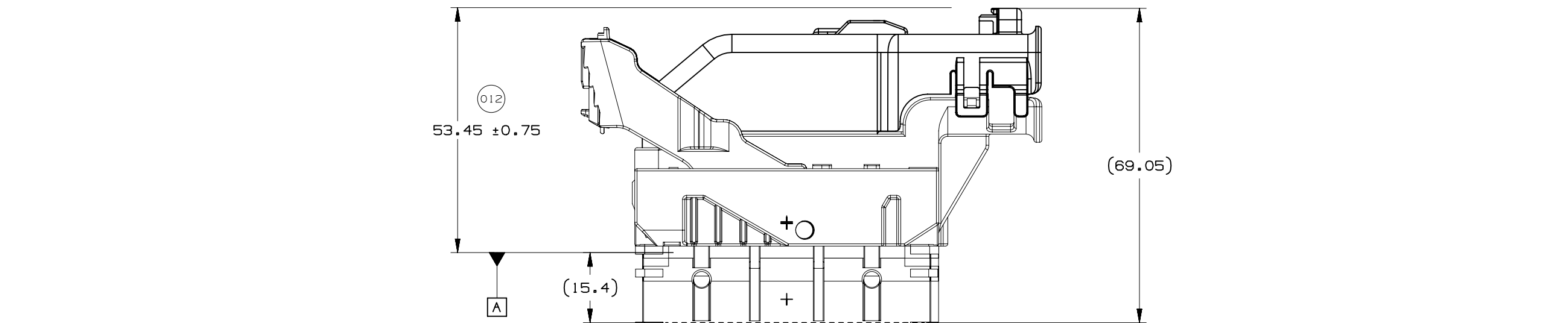


WIRE DRESS OPTION 0 SHOWN



WIRE DRESS OPTION 9 SHOWN



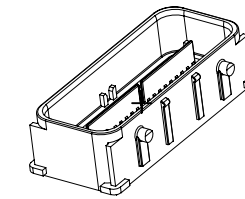
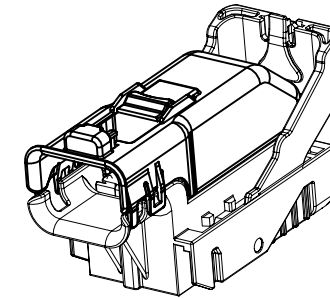
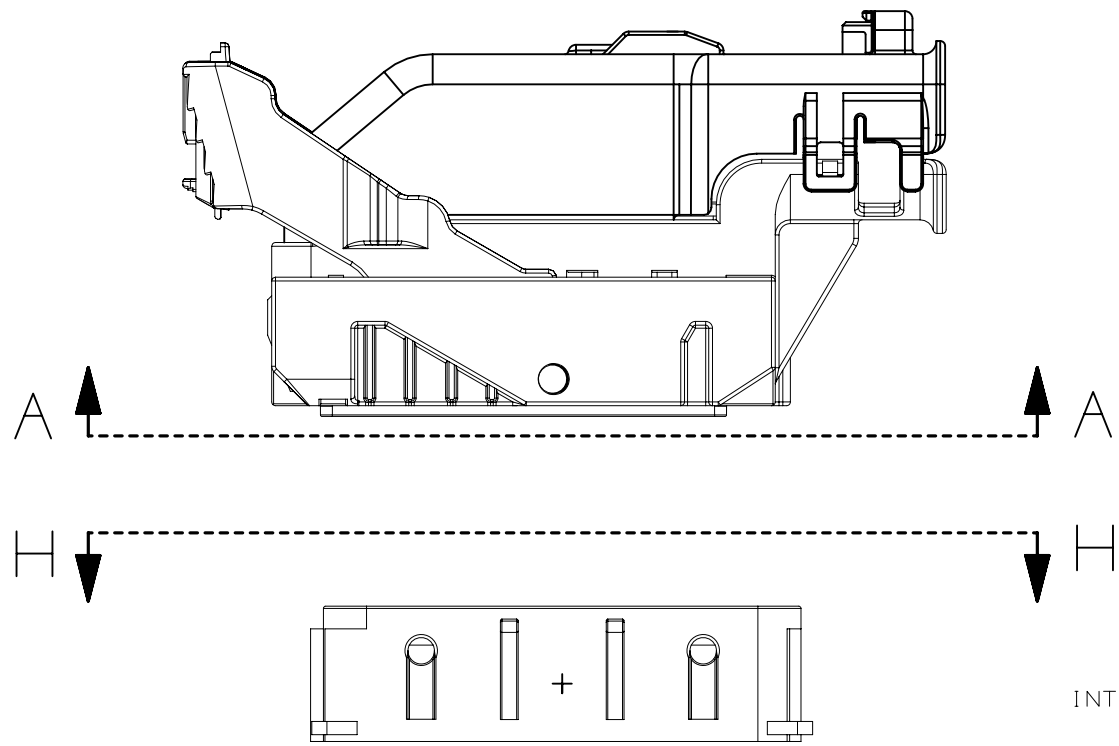


15.6 MIN. ALL AROUND CLEARANCE REQUIRED FOR HARNESS CONNECTOR

014

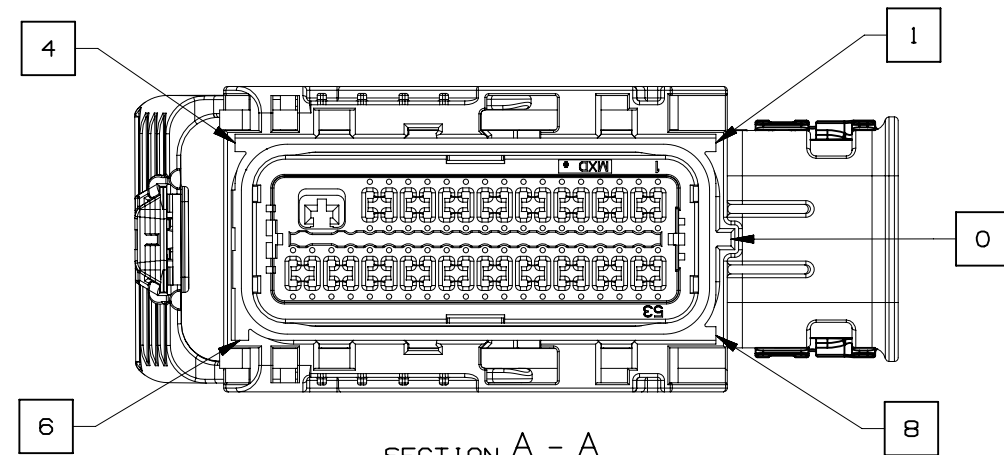
17.9 MIN. AT PAD LOCATION CLEARANCE REQUIRED FOR HARNESS CONNECTOR CONSTRUCTION BELOW THIS PLANE IS NOT CONTROLLED

015

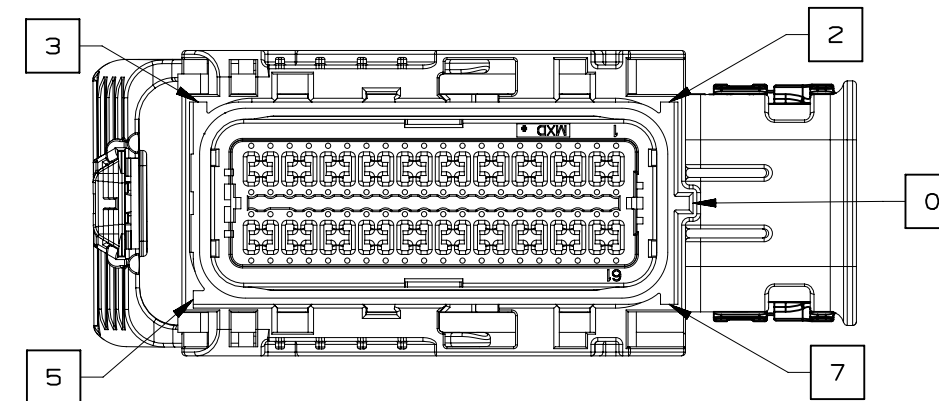


NOTE: REFERENCE THE COMPONENT TABLE FOR KEY OPTIONS AND CONFIGURATIONS

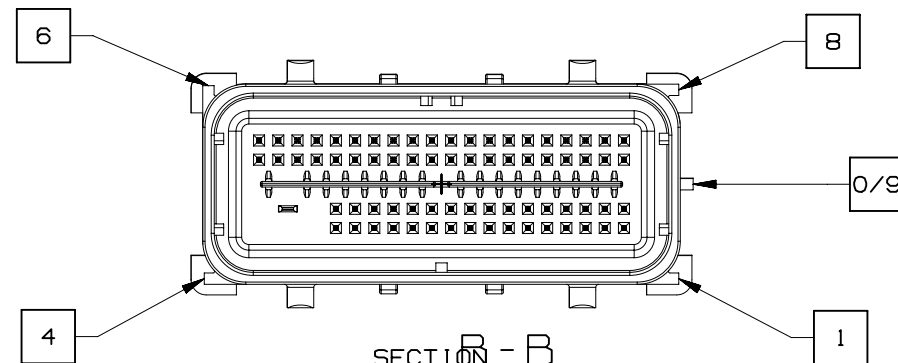
INTERFACE SIDE SHOWN ON ALL SECTION VIEWS



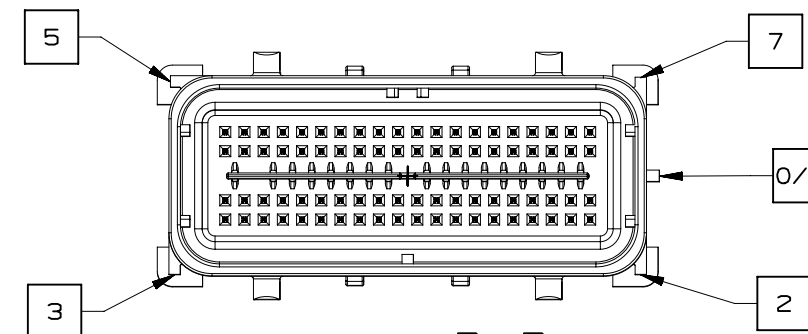
SECTION A - A  
KEY OPTION B SHOWN



SECTION A - A  
KEY OPTION K SHOWN



SECTION B - B  
KEY OPTION B SHOWN



SECTION B - B  
KEY OPTION K SHOWN

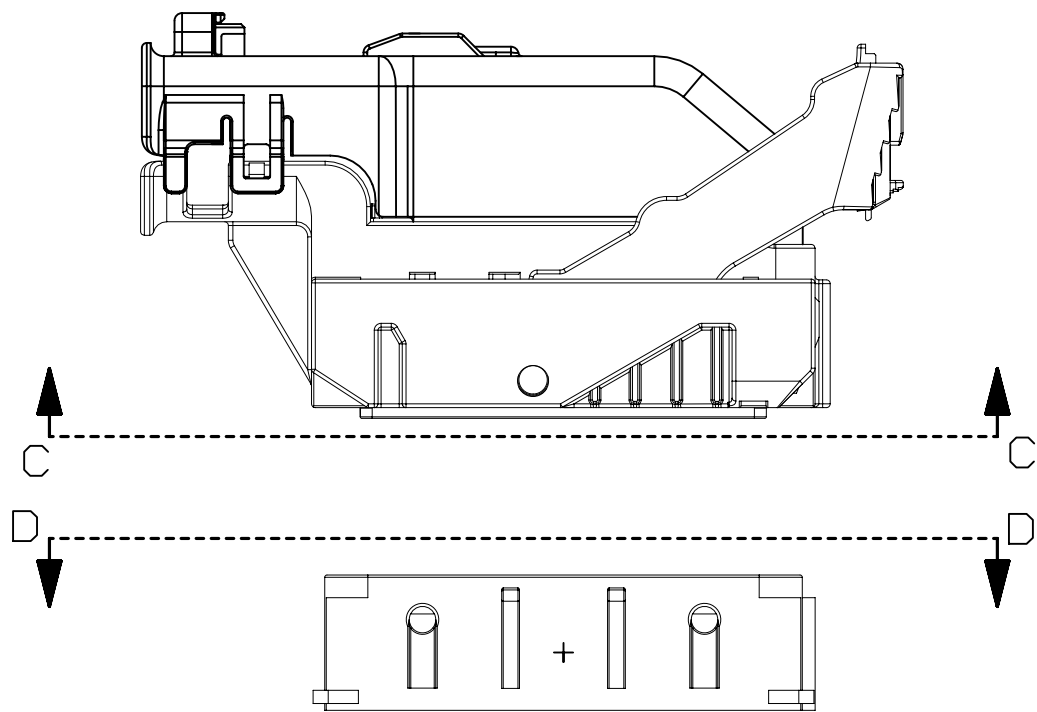


PAGE TITLE  
KEY ID REF - WIRE DRESS OPTION 0

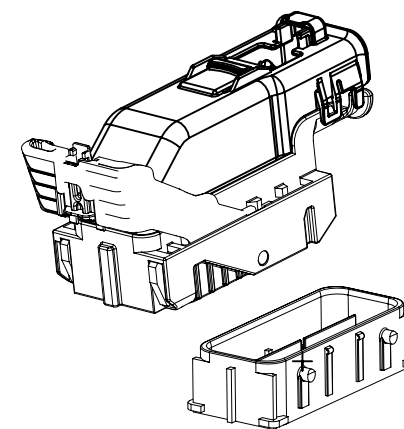
DRAWING NUMBER  
12642695

DWG STATUS		
ST	REV	PD1
R	002	

PAGE NUMBER  
11 OF 21

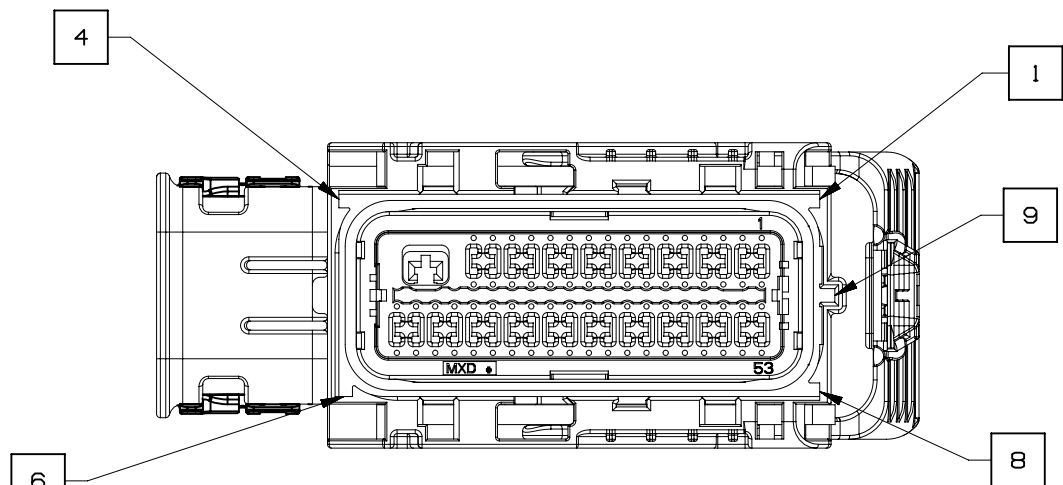


INTERFACE SIDE SHOWN ON ALL SECTION VIEWS

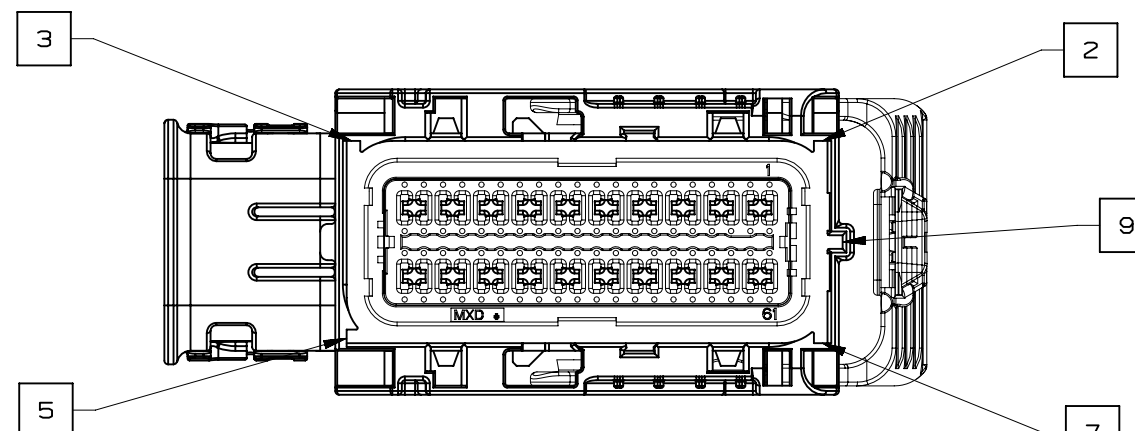


NOTE: REFERENCE THE COMPONENT TABLE FOR KEY OPTIONS AND CONFIGURATIONS

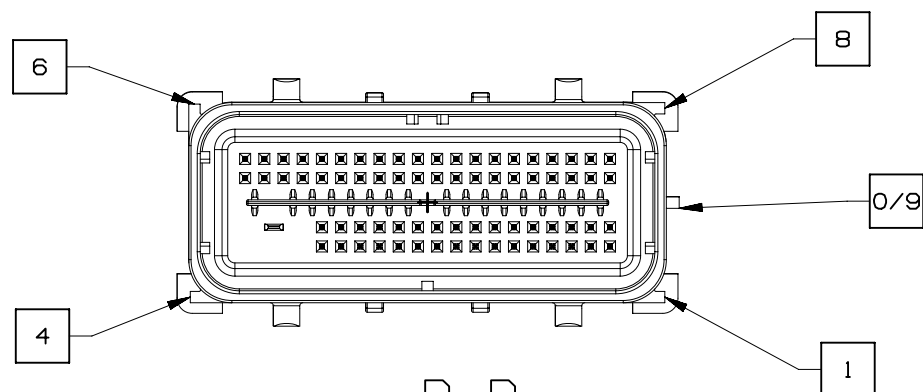
VIEW V



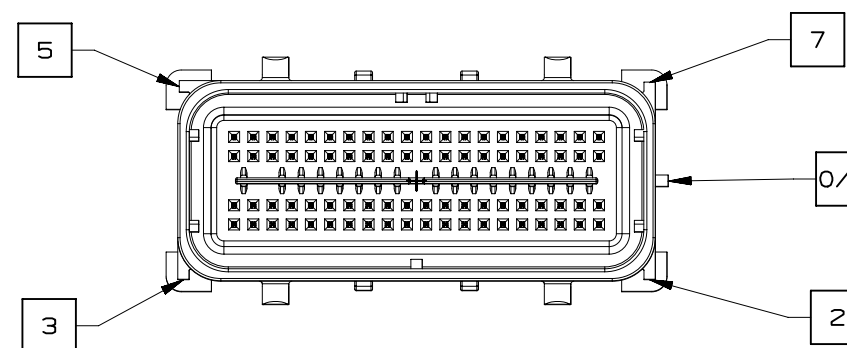
SECTION C-C  
KEY OPTION B SHOWN



SECTION C-C  
KEY OPTION K SHOWN



SECTION D-D  
KEY OPTION B SHOWN



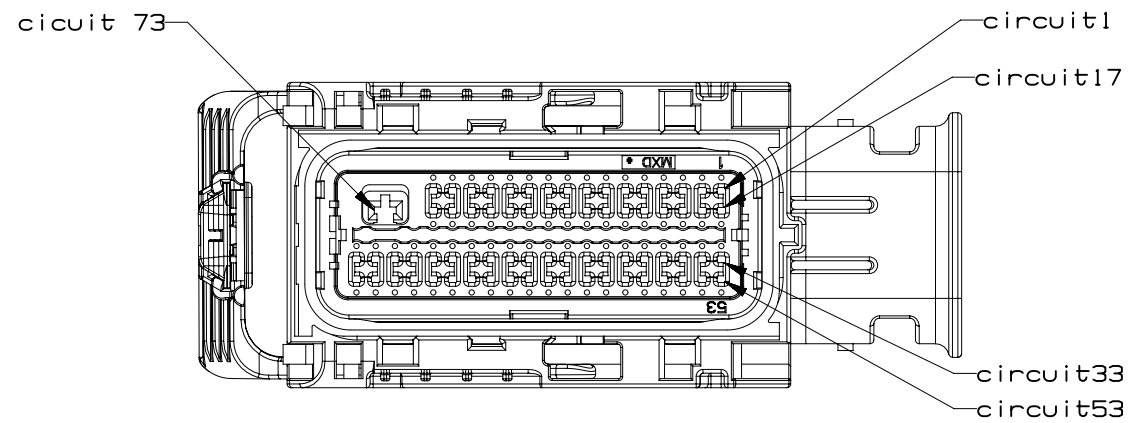
SECTION D-D  
KEY OPTION K SHOWN



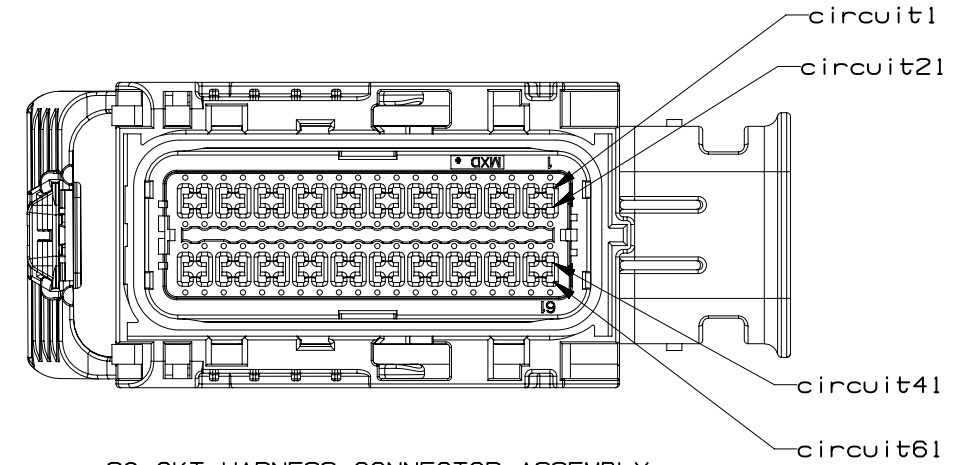
PAGE TITLE  
KEY ID REF - WIRE DRESS OPTION 9

DRAWING NUMBER  
12642695

DWG STATUS			PAGE NUMBER
ST	REV	PD1	
R	002		12 OF 21

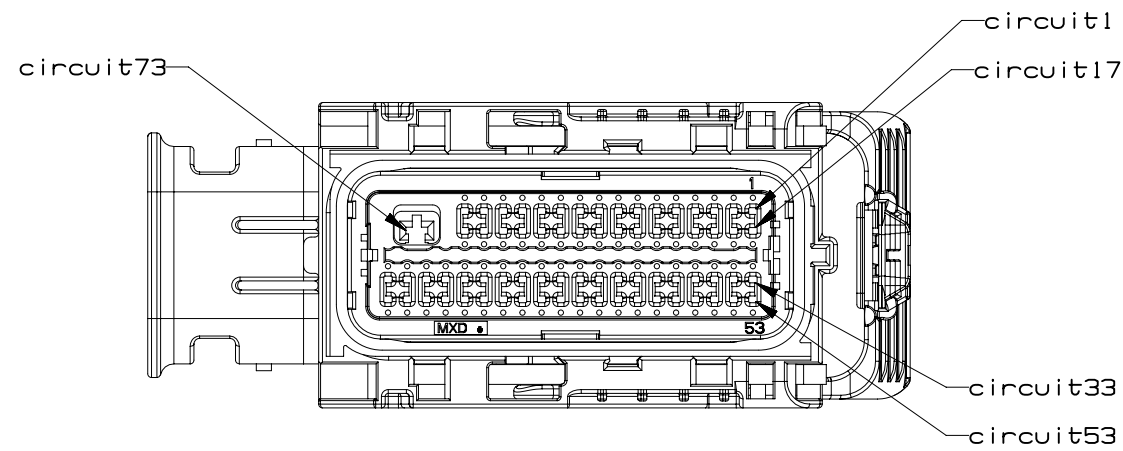


73 CKT HARNESS CONNECTOR ASSEMBLY  
WIRE DRESS OPTION 0

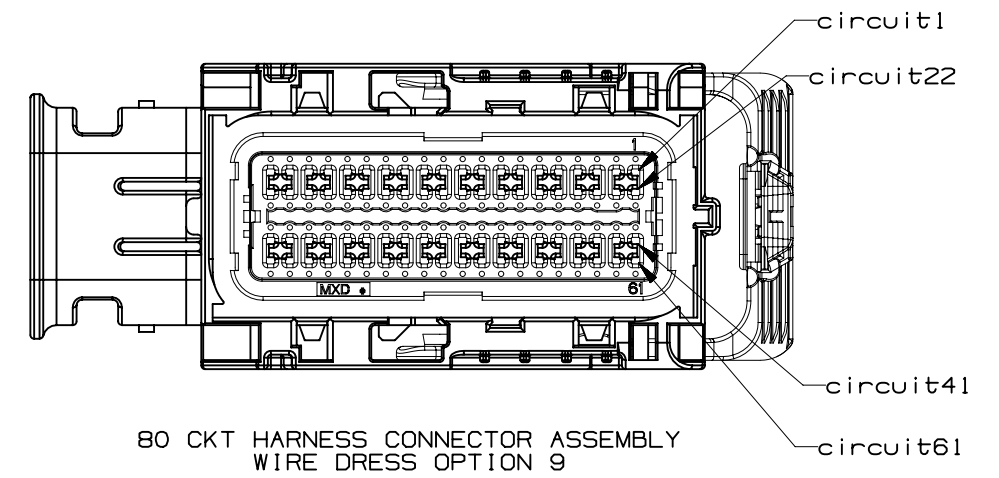


80 CKT HARNESS CONNECTOR ASSEMBLY  
WIRE DRESS OPTION 0

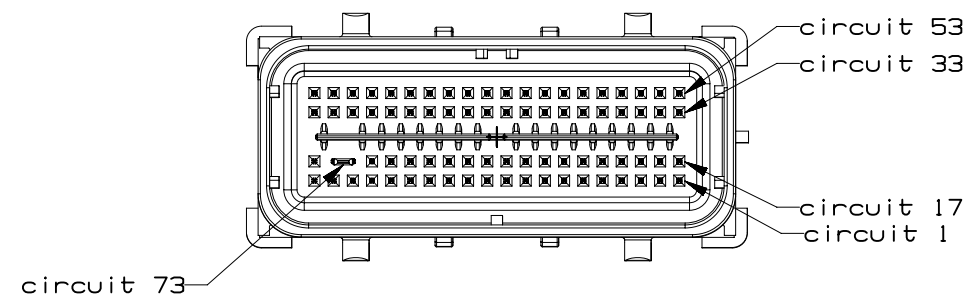
INTERFACE SIDE SHOWN ON ALL VIEWS



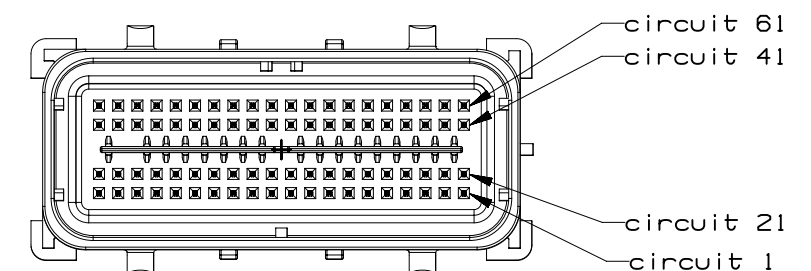
73 CKT HARNESS CONNECTOR ASSEMBLY  
WIRE DRESS OPTION 9



80 CKT HARNESS CONNECTOR ASSEMBLY  
WIRE DRESS OPTION 9

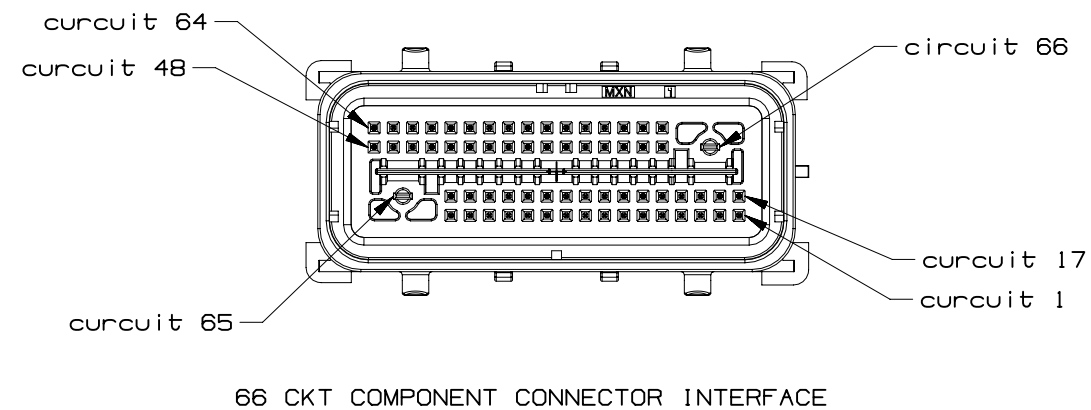
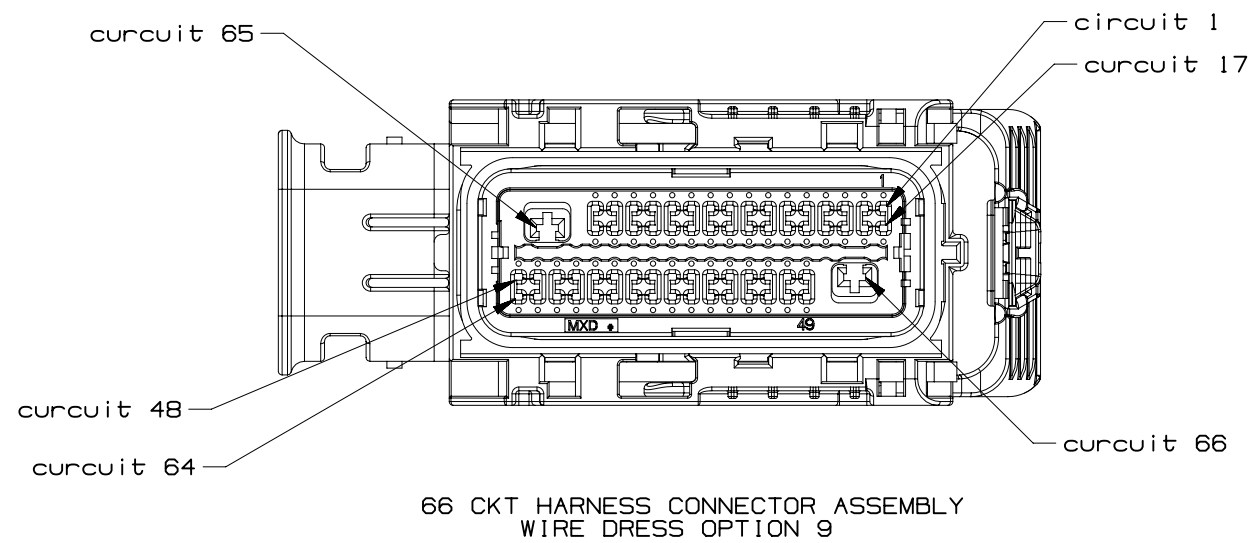
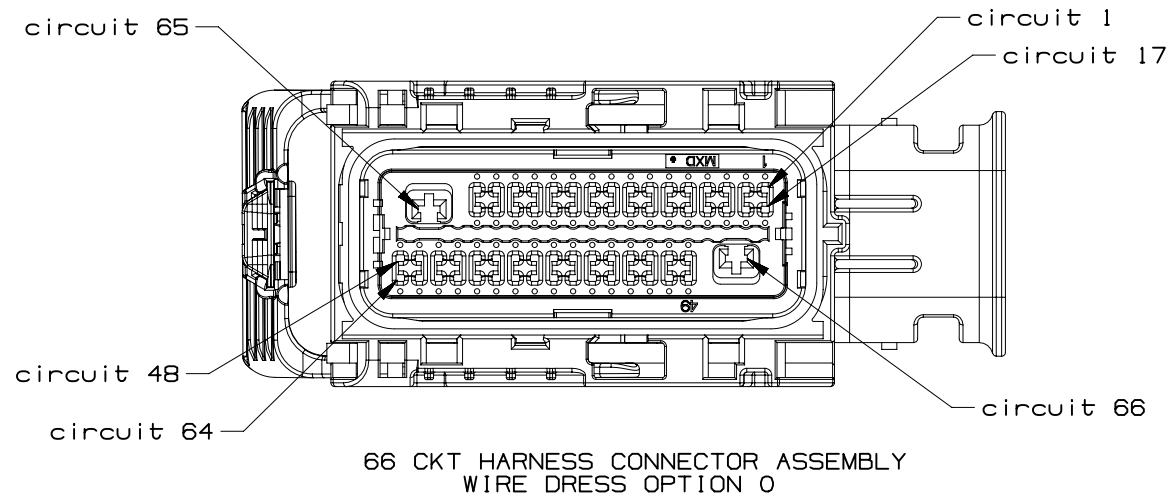



73 CKT COMPONENT CONNECTOR INTERFACE

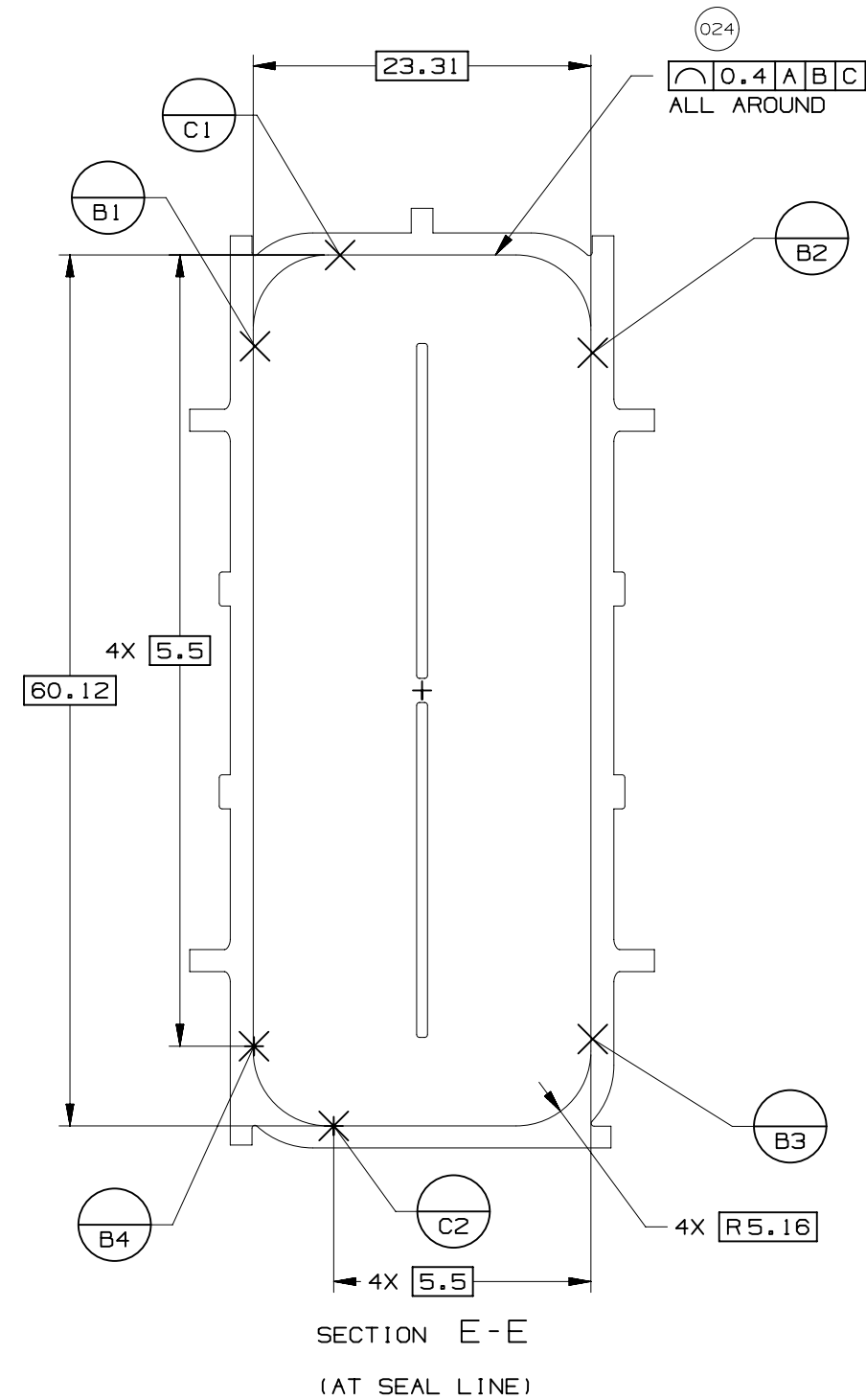
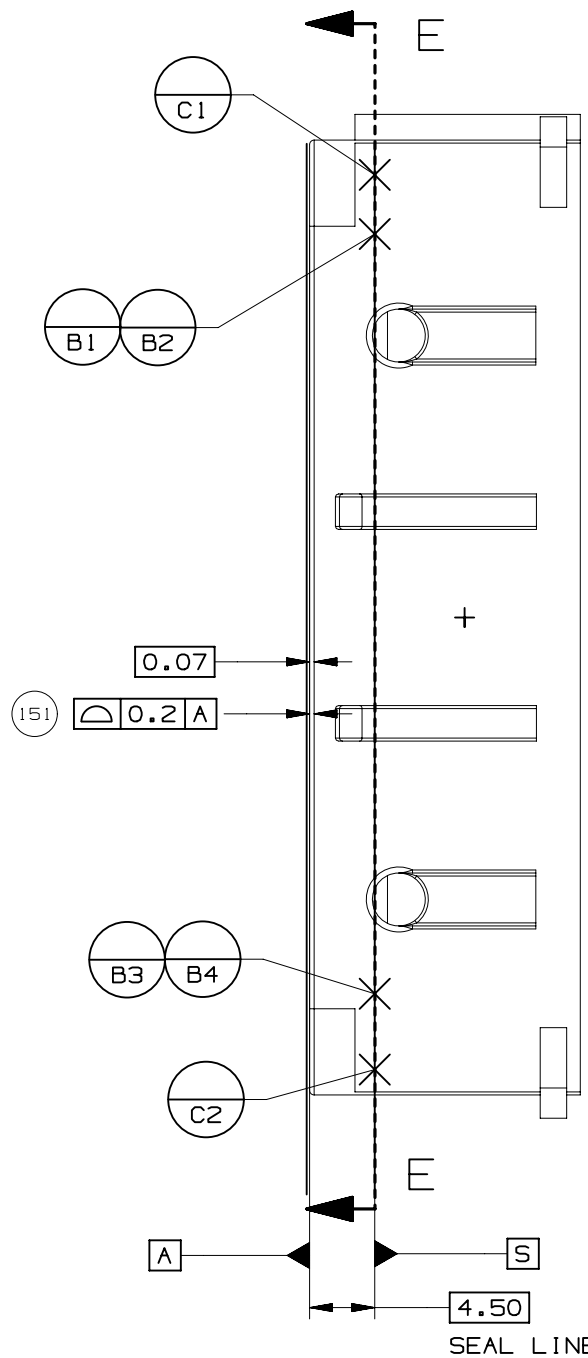
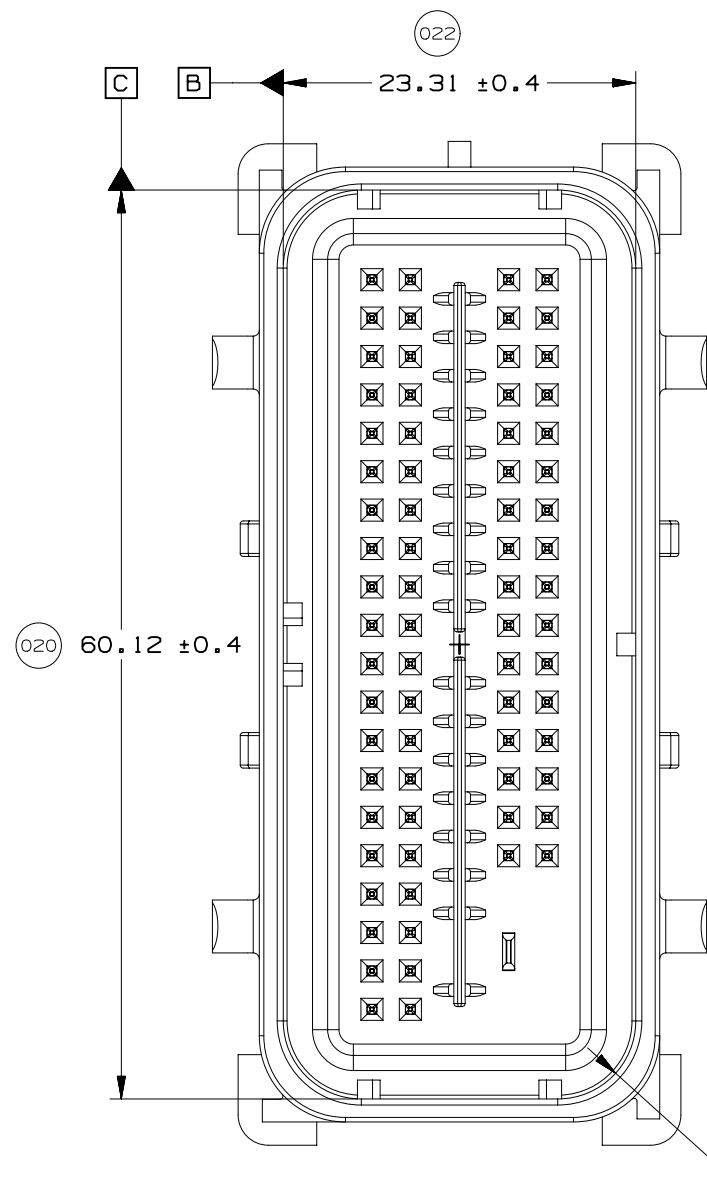
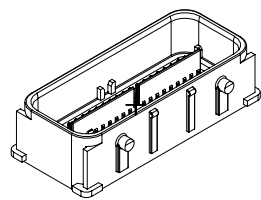


80 CKT COMPONENT CONNECTOR INTERFACE





	PAGE TITLE	DRAWING NUMBER	DWG STATUS			PAGE NUMBER	
	CIRCUIT CONFIGURATIONS		12642695	ST	REV	PDI	14 of 21
				R	002		



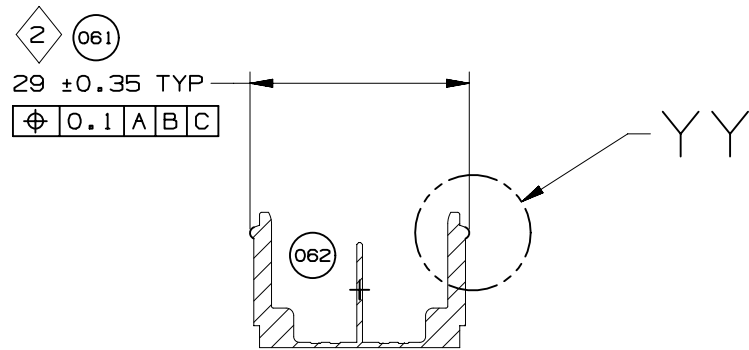
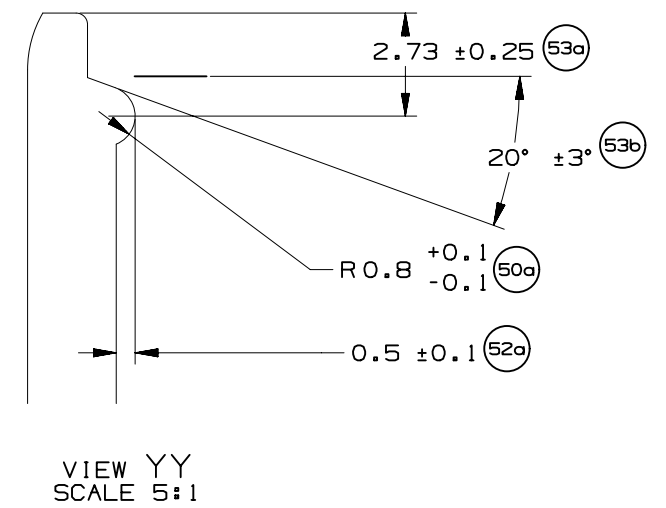
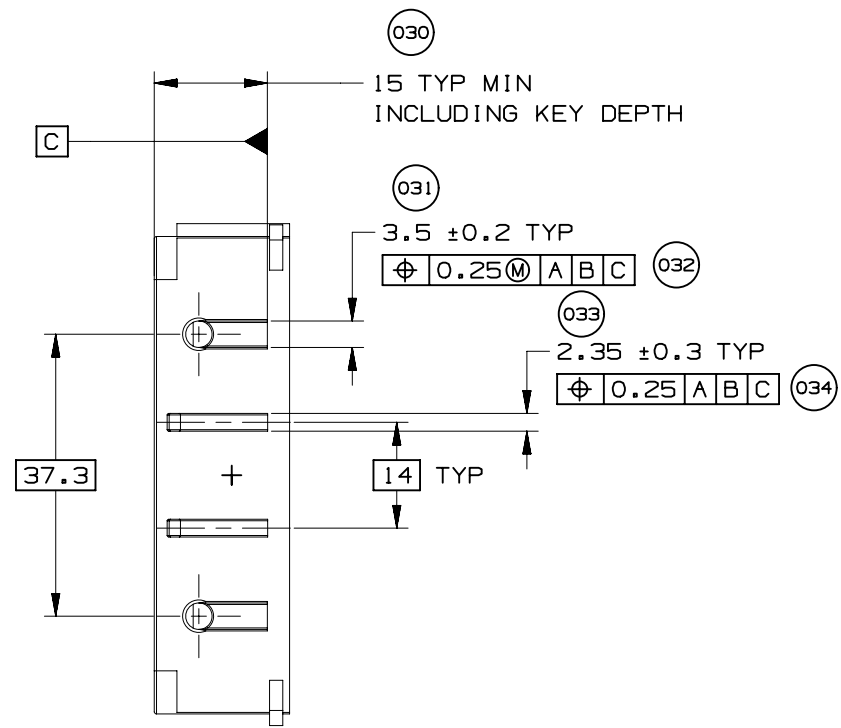
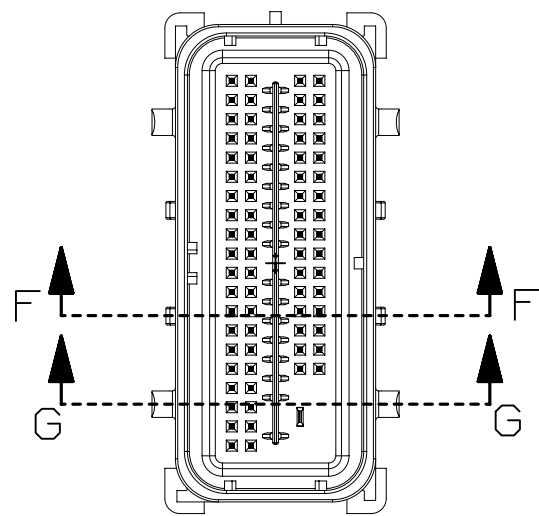
UNLESS SPECIFIED, TOLERANCE OF THE COMPONENT CONNECTOR INTERFACE TO BE  $\sqrt[0.13]{A B C}$



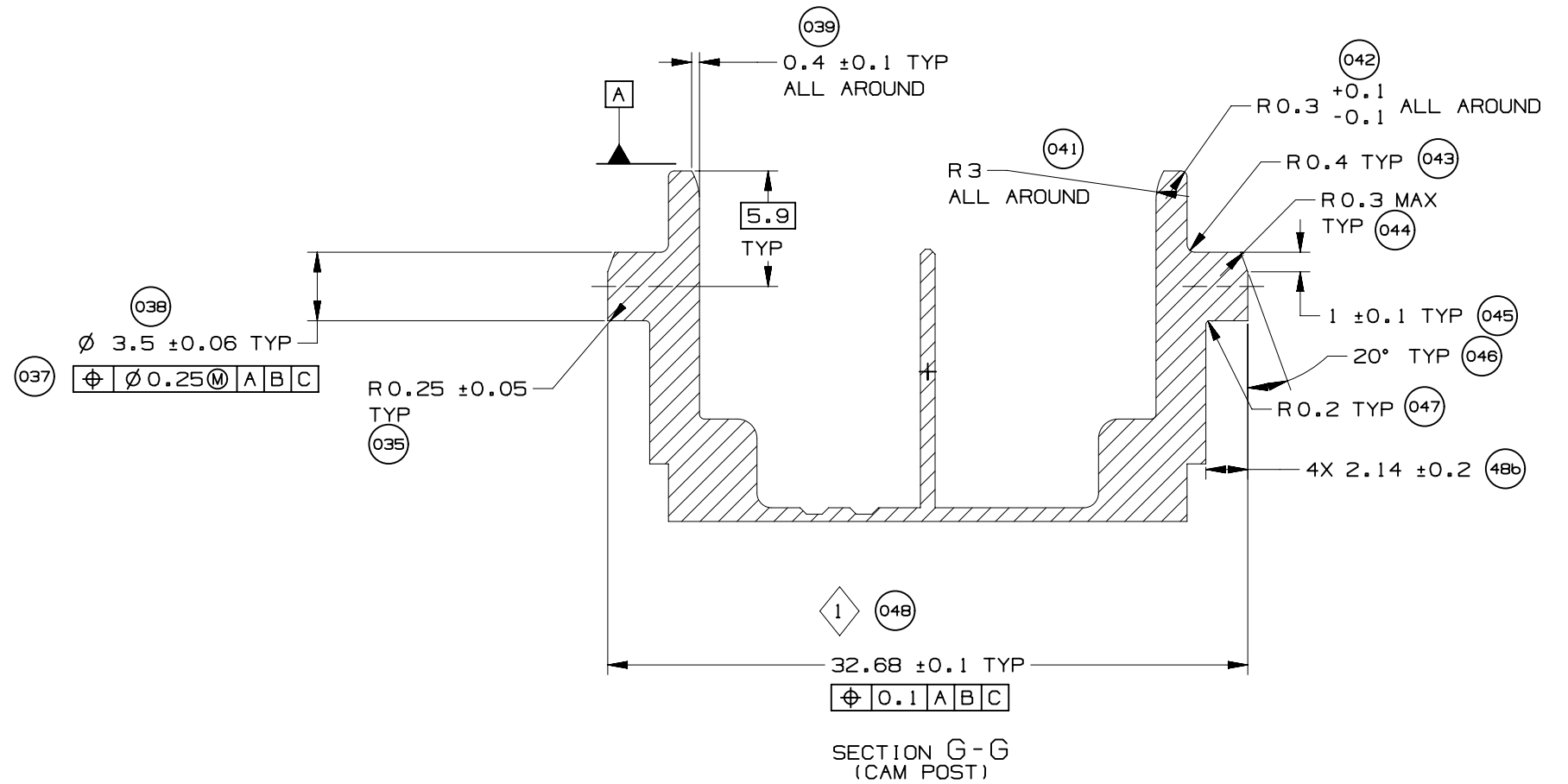
PAGE TITLE  
COMPONENT CONNECTOR INTERFACE

DRAWING NUMBER  
12642695

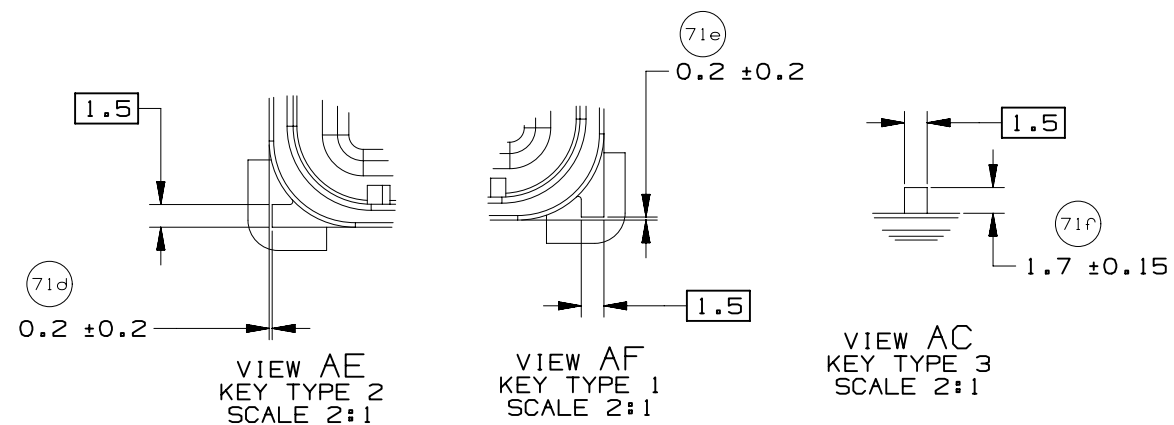
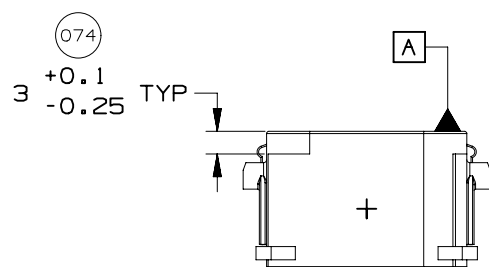
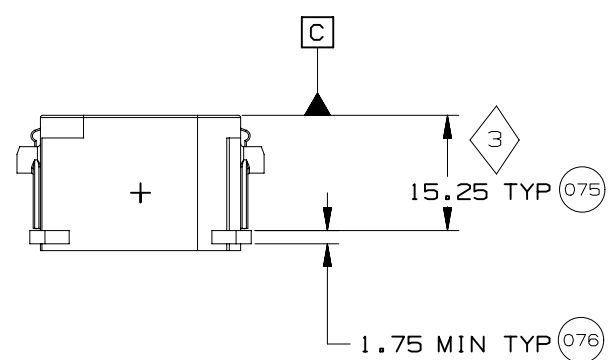
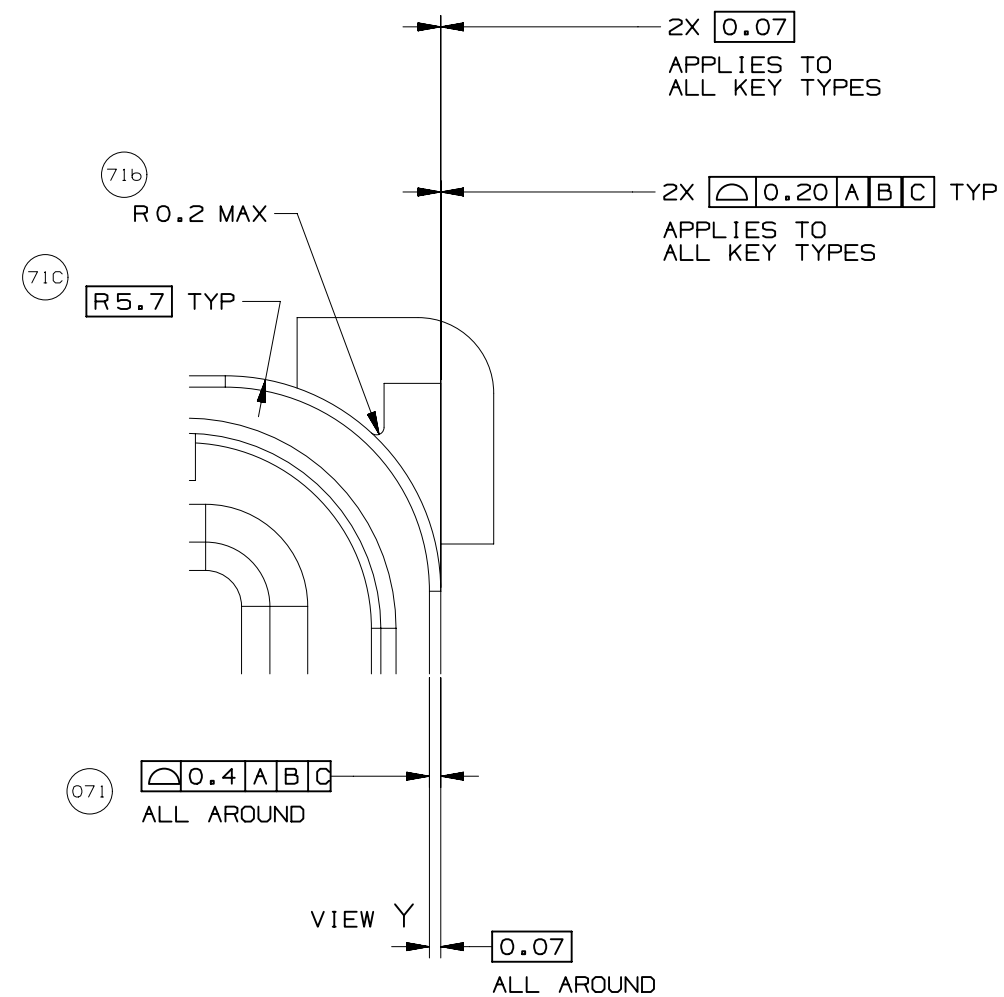
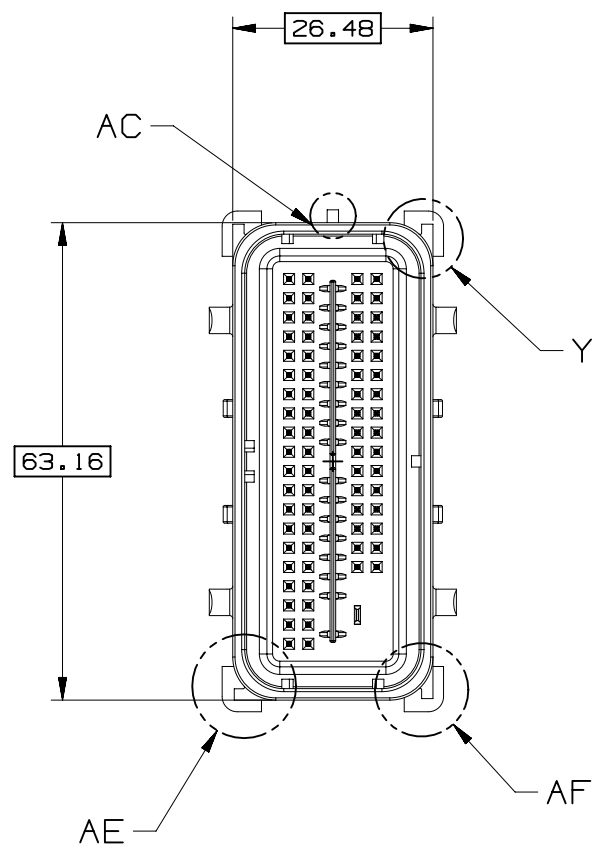
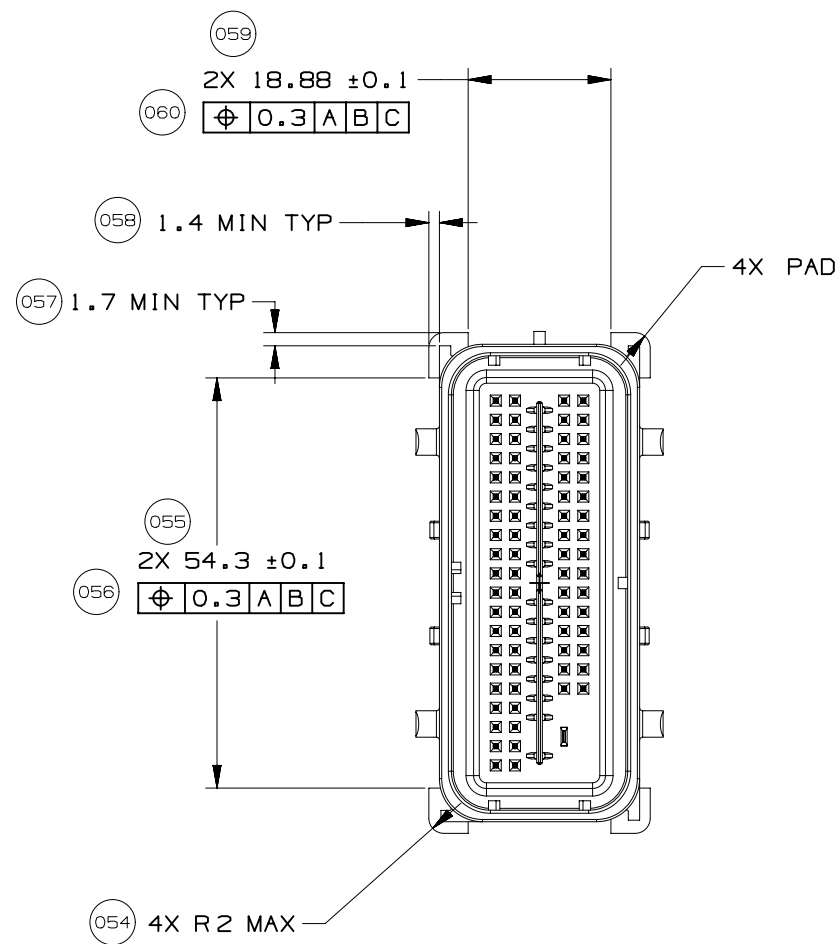
DWG STATUS			PAGE NUMBER
ST	REV	PD1	
R	002		15 OF 21



SECTION F-F



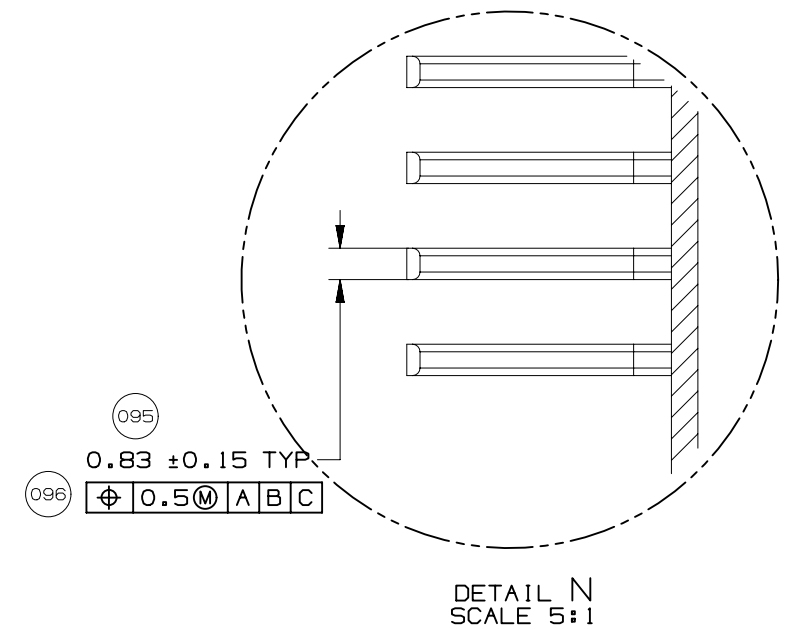
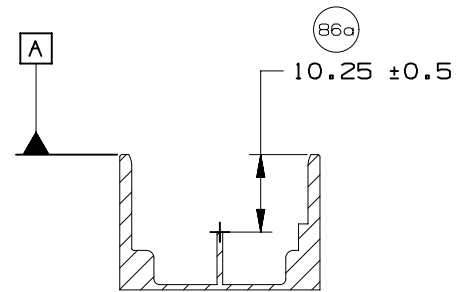
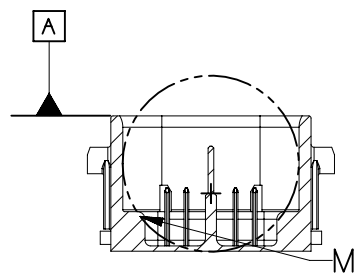
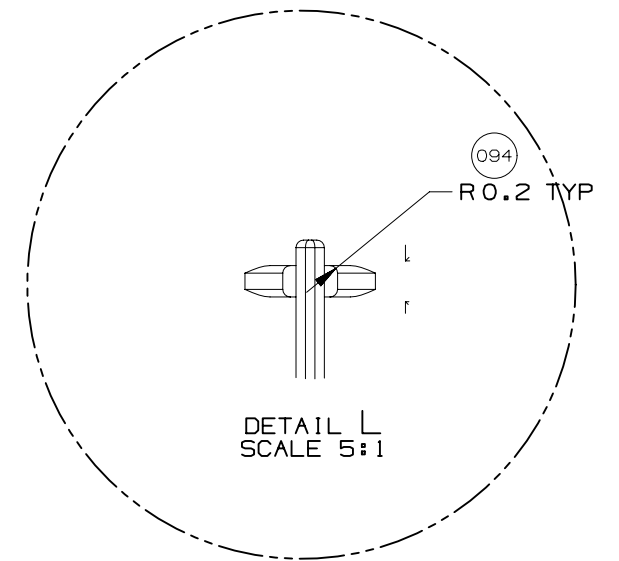
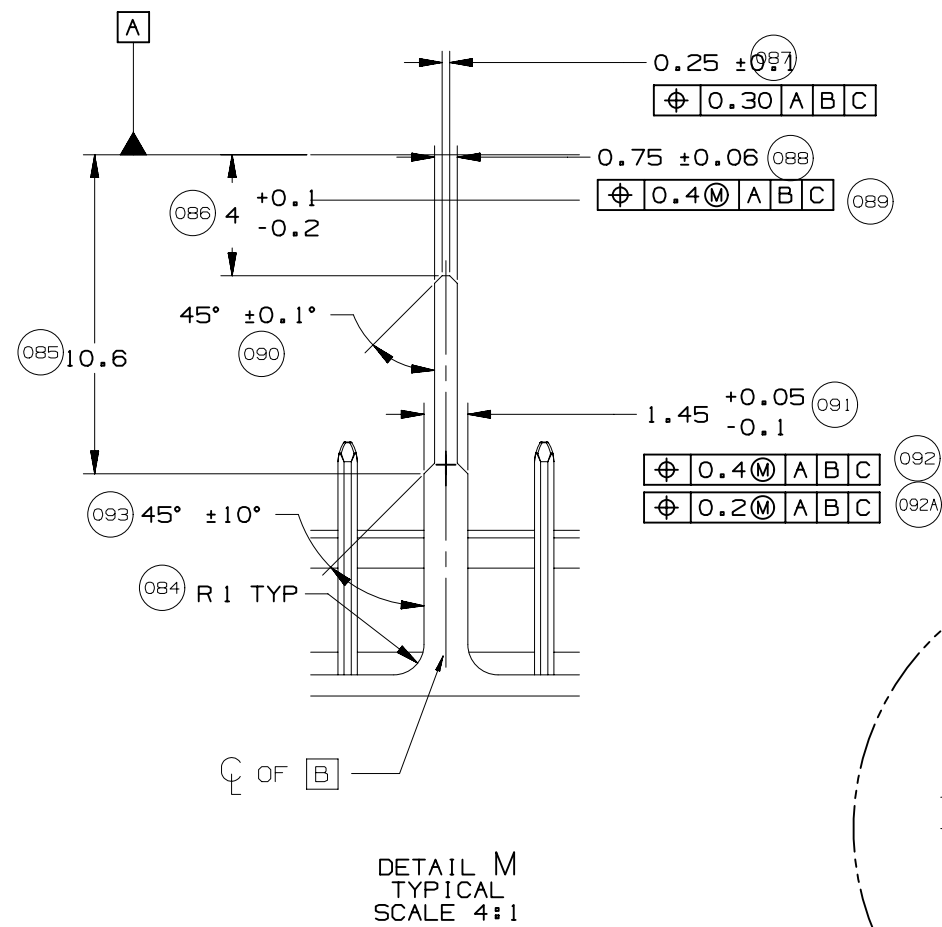
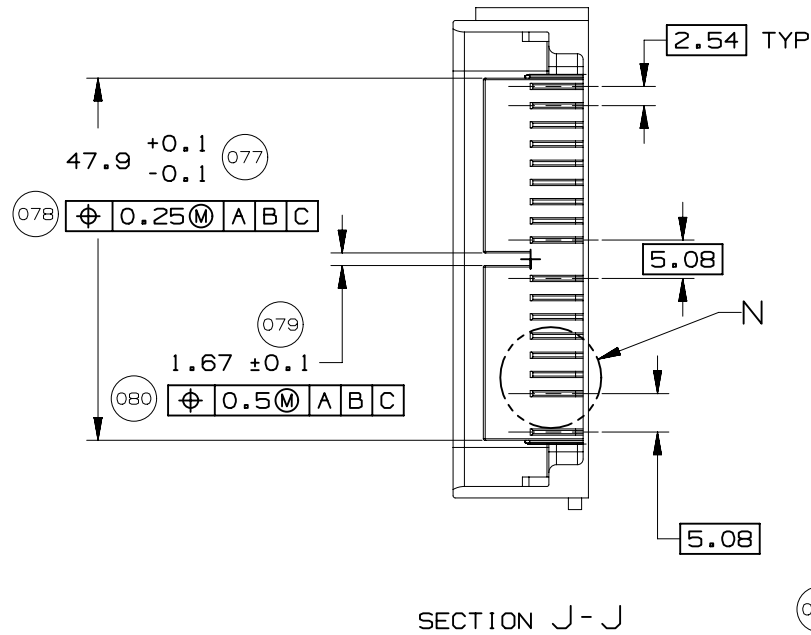
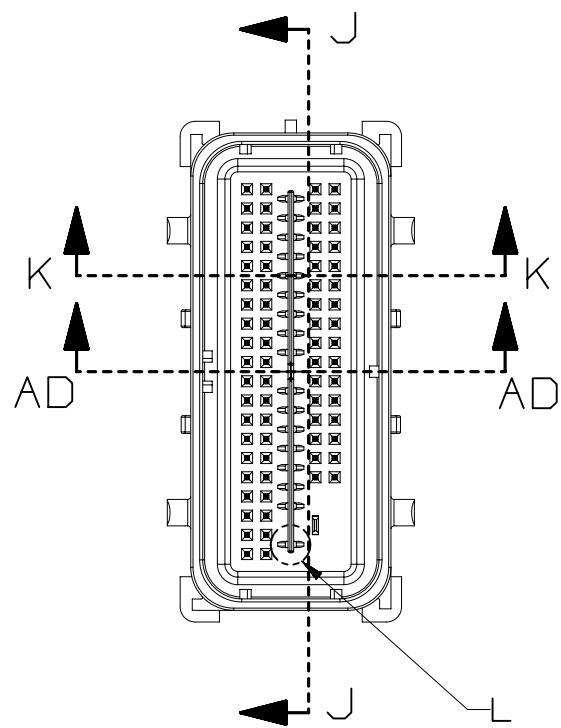


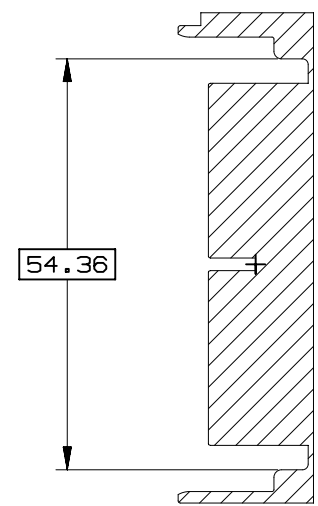
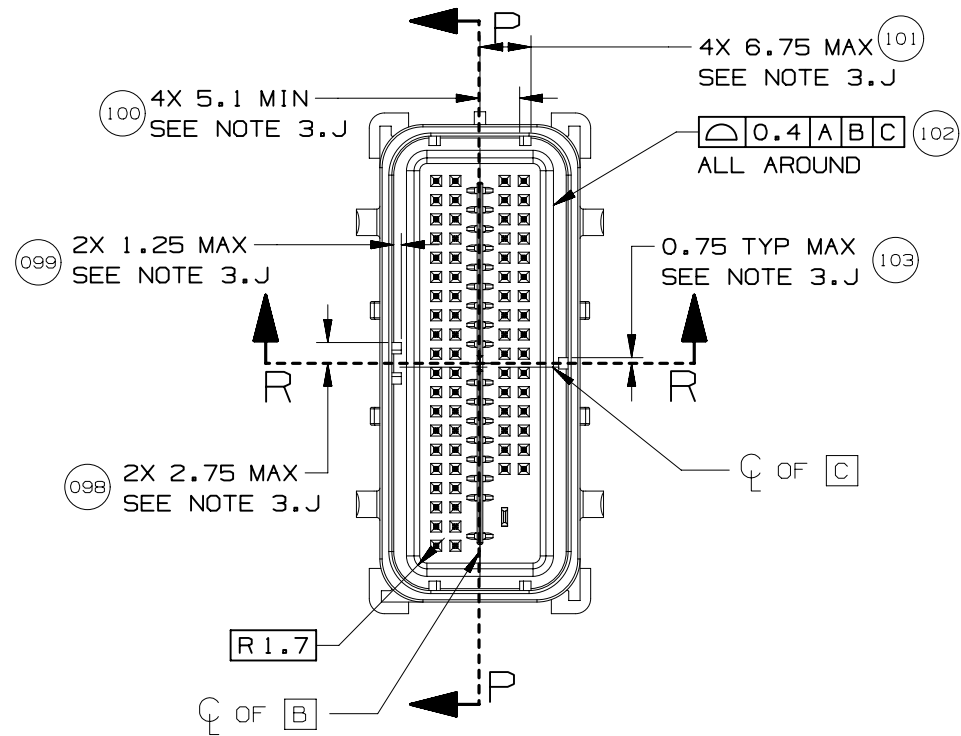


PAGE TITLE  
 COMPONENT CONNECTOR INTERFACE

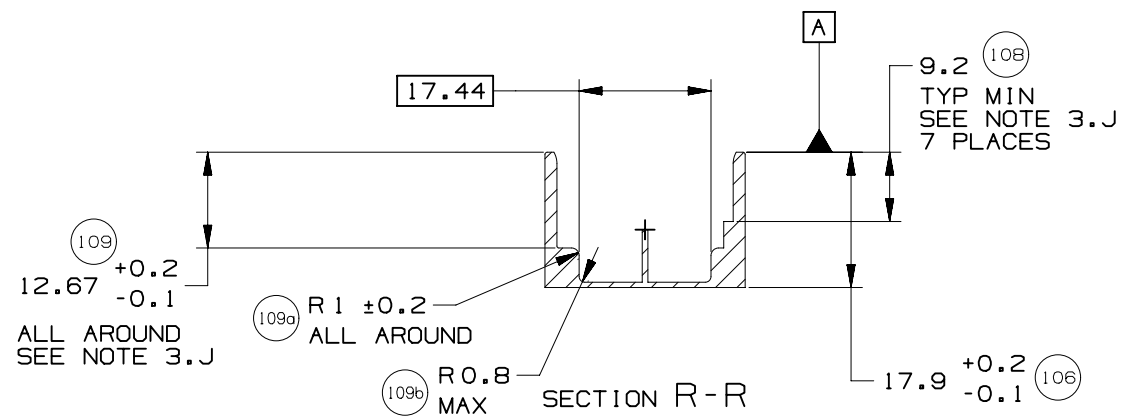
DRAWING NUMBER  
 12642695

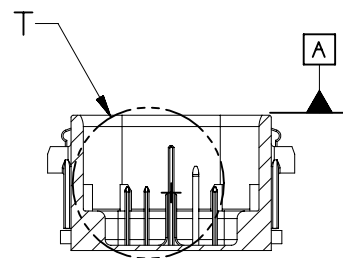
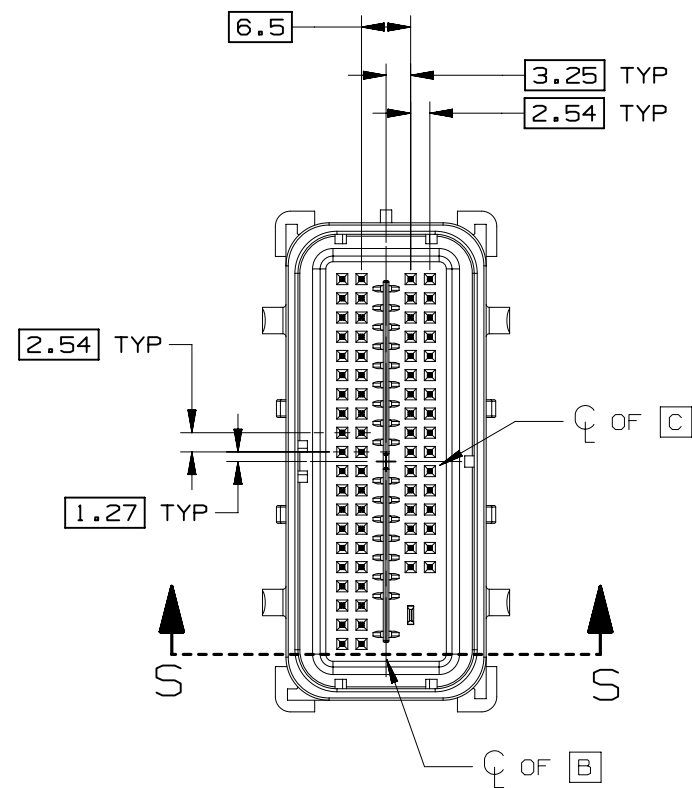
DWG STATUS			PAGE NUMBER	
ST	REV	PD1		
R	002		17	OF 21



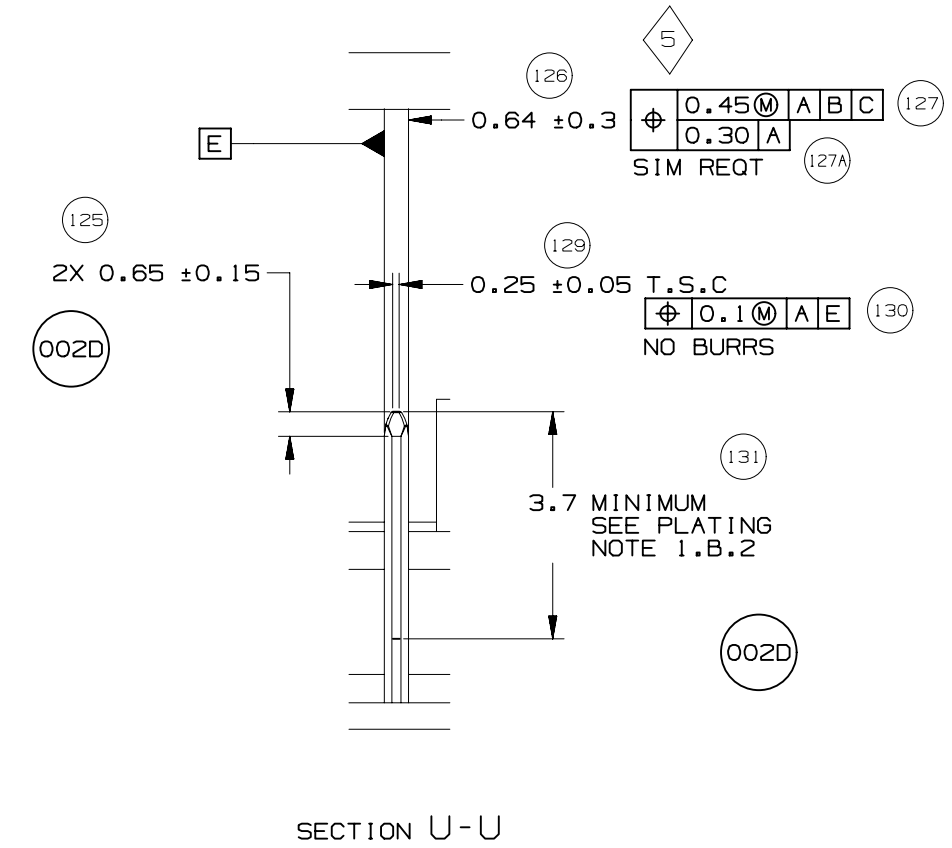
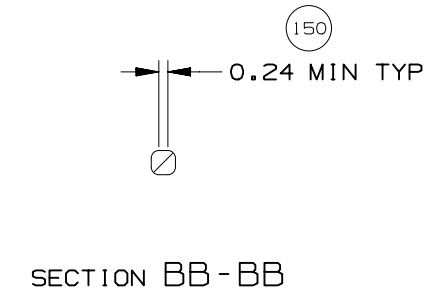
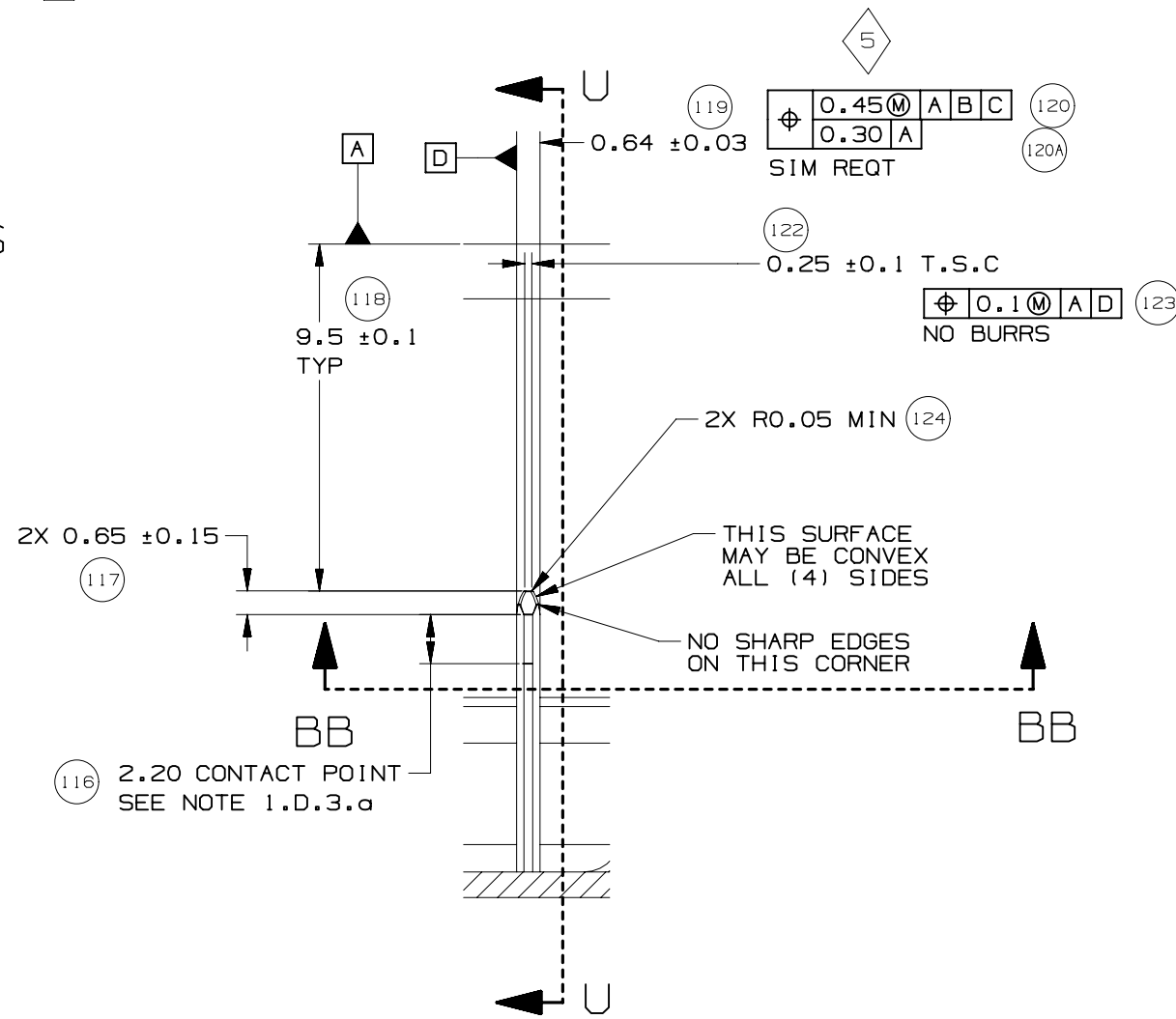


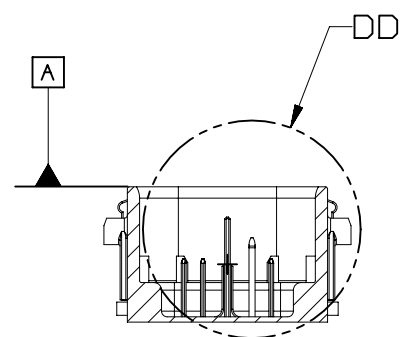
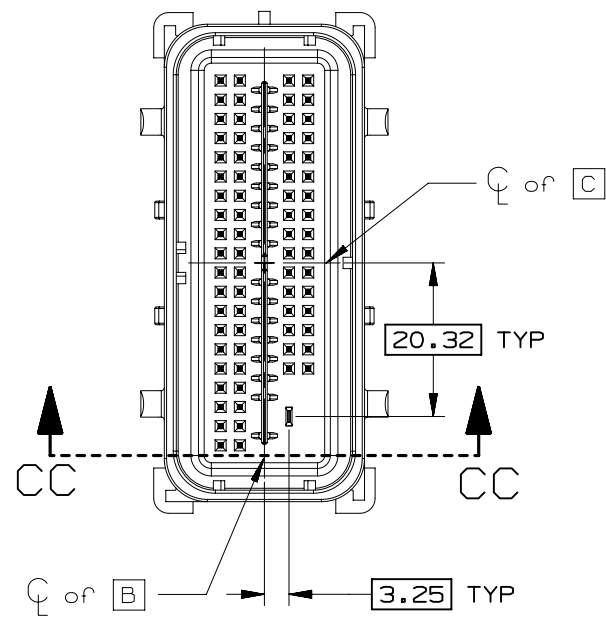
SECTION P-P



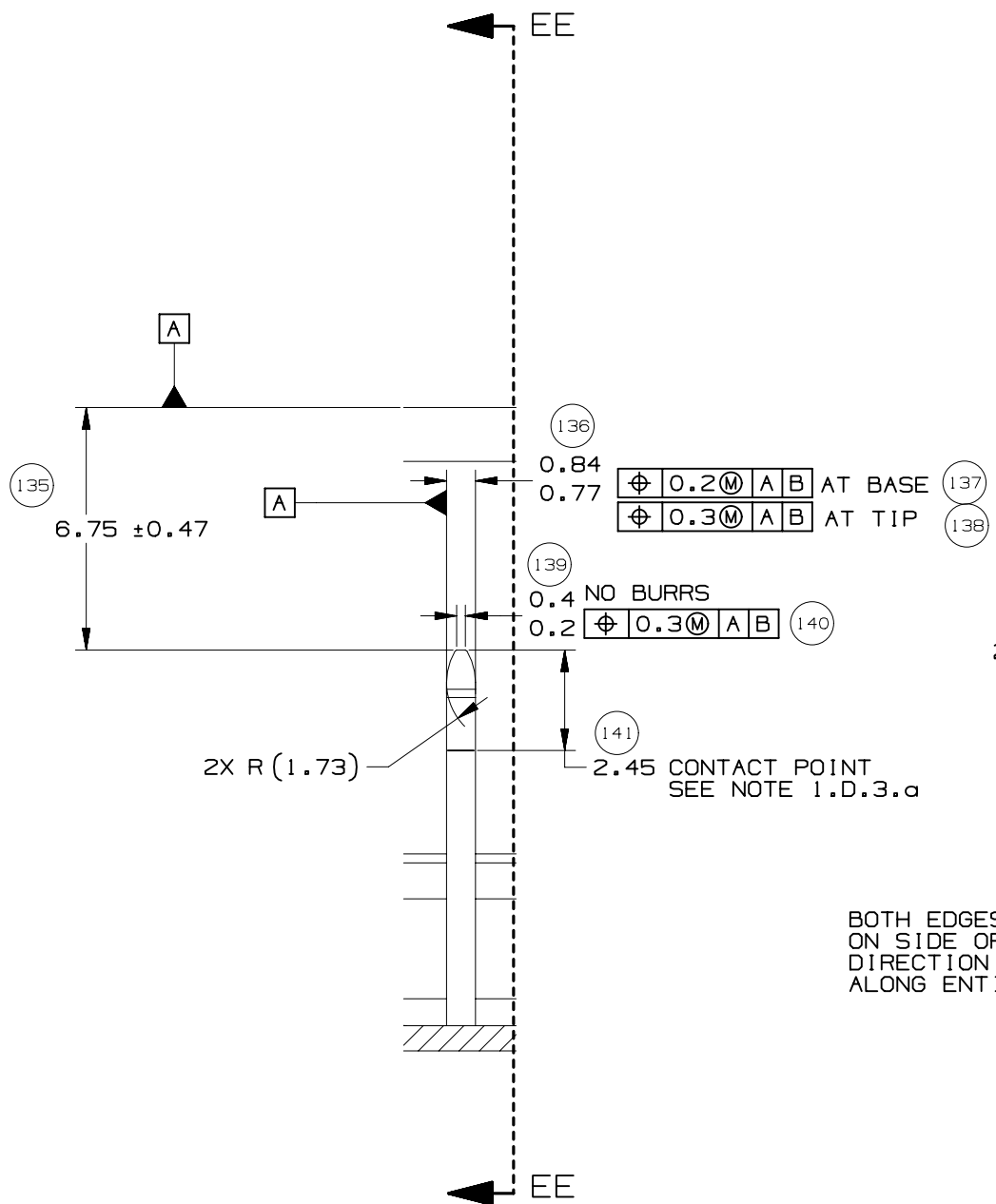


SECTION S-S

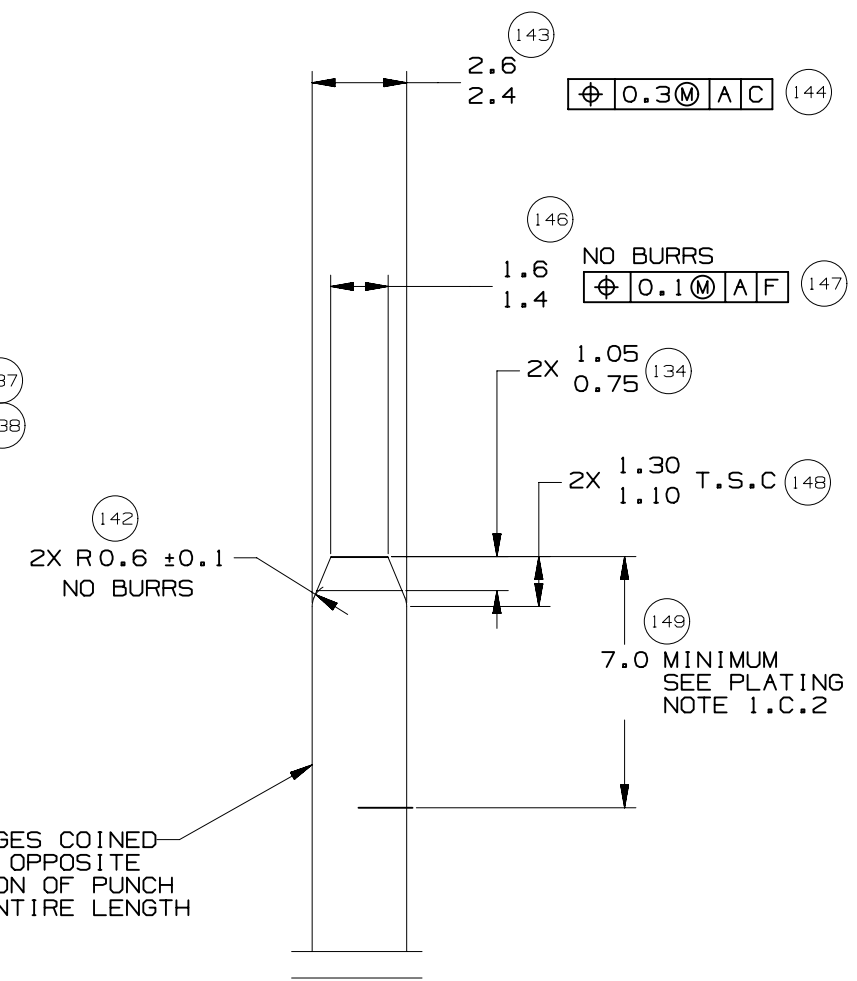




SECTION CC-CC

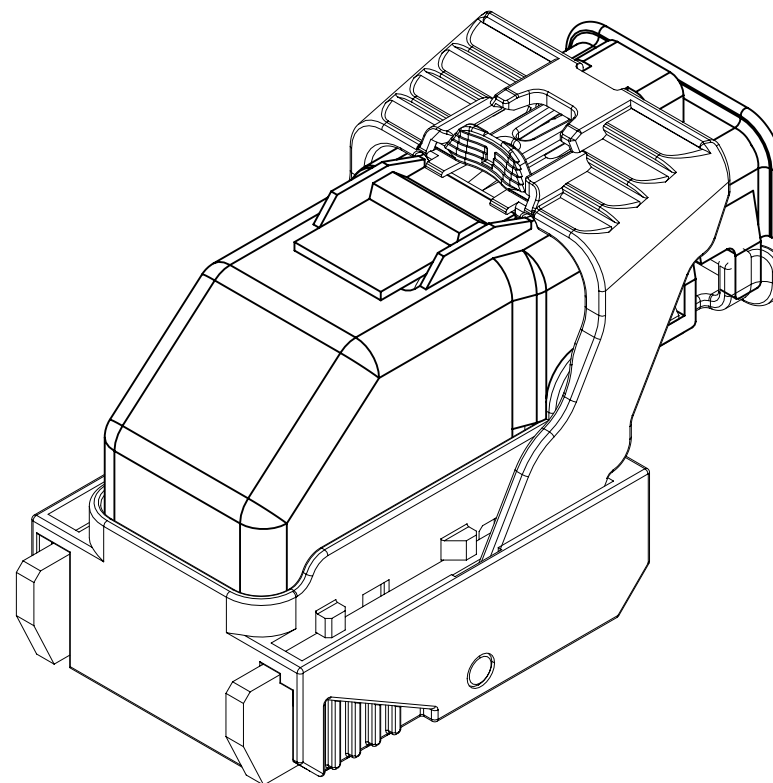


DETAIL DD  
TYPICAL  
SCALE 5:1


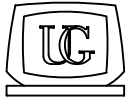


SECTION EE-EE  
TYPICAL

INDEX	
PAGE TITLE	PAGE
TITLE BLOCK	1
REVISION BLOCK	2
PART BLOCK	3
KPC BLOCK	4
COMPONENT TABLE	5
NOTES	6
NOTES	7
WIRE DRESS PACKAGING DIMENSIONS	8
LOCATION AND PACKAGING DIMENSIONS REFERENCING INTERFACE DATUMS B & C	9
LOCATION AND PACKAGING DIMENSIONS REFERENCING INTERFACE DATUM A	10
KEY ID REF - WIRE DRESS OPTION 0	11
KEY ID REF - WIRE DRESS OPTION 9	12
CIRCUIT CONFIGURATIONS	13
CIRCUIT CONFIGURATIONS	14
COMPONENT CONNECTOR INTERFACE	15
COMPONENT CONNECTOR INTERFACE	16
COMPONENT CONNECTOR INTERFACE	17
COMPONENT CONNECTOR INTERFACE	18
COMPONENT CONNECTOR INTERFACE	19
COMPONENT CONNECTOR INTERFACE	20
COMPONENT CONNECTOR INTERFACE	21
COMPONENT CONNECTOR INTERFACE	22
ADDITIONAL COMPONENTS REQUIRED	23




ISO VIEW

	THIS DOCUMENT IS IN ACCORDANCE WITH ASME Y14.5M-1994 AS AMENDED BY THE GM GLOBAL DIMENSIONING AND TOLERANCING ADDENDUM - 2004.			DATE	
	 CHANGE RESTRICTED NO MANUAL CHANGES	REFERENCE 12H (MOLEX AUTOMOTIVE)	DRAFTER D. KOEHLER		04JN15
APVD1					
APVD2					
APVD3					
APVD4					
APVD5					
DO NOT SCALE	DRAWING NAME				
METRIC DIMENSIONS SHOWN IN MILLIMETERS UNLESS OTHERWISE SPECIFIED	HARNESS CONN ASM-SEALED 18/49/56 CKTS, MX123				
	DRAWING NUMBER	DWG STATUS			PAGE NUMBER
		12672832			
		ST	REV	PD1	
		R	001		1 of 23

PAGE	DWG STATUS					REVISION HISTORY	AUTH	DR	CK	ENG
	DATE	ST	REV	CHG	PDI					

PAGE	DWG STATUS					REVISION HISTORY	AUTH	DR	CK	ENG
	DATE	ST	REV	CHG	PDI					
	03JN15	R	001			RELEASED TO PRODUCTION AT DLS A	CRMRJE	DFK		

	PAGE TITLE	DRAWING NUMBER	DWG STATUS			PAGE NUMBER		
	REVISION BLOCK			12672832	ST		REV	PDI
				R	001			2 of 23





KEY PRODUCT CHARACTERISTICS  
(IN ACCORDANCE WITH QN 1805 OR ON 1050)



SAFETY/COMPLIANCE

TOTAL ON  
DRAWING

4



FIT/FUNCTION

LAST NO.  
USED

4

NO	TYPE	DESCRIPTION	RATIONALE	PAGE/ZONE
1	F/F	32.68	IMPROVE CONNECTOR SYSTEM MATING	16
2	F/F	29.00	INSURE PROPER RELEASE OF LEVER	16
3	F/F	15.25	INSURE FINAL MATE POSITION	17
4	F/F	POSITIONAL TOLERANCE (2 PLACES)	INSURE CONNECTOR SYSTEM MATIBILITY	20



PAGE TITLE  
KPC BLOCK

DRAWING NUMBER

12672832

DWG STATUS

ST	REV	PD1
----	-----	-----

R	001	
---	-----	--

PAGE NUMBER

4 OF 23

Γ J 0	MFG.	MFG. P/N	GM P/N	Effective Date	APPLICABLE COMPONENTS	Key Option	Wire Dress Option	Key Config.	Color	Status
					DESCRIPTION					
1	MOLEX	34575-0003	12582679	02JN03	WIRE HARNESS COVER	N/A	NA	N/A	BLACK	AVAILABLE
2	MOLEX	34851-0007	12672834	31AU15	HARN CONN ASM 18 CKT	G	0	1358	BLUE	ACTIVE
3	MOLEX	34851-0008	12672836	31AU15	HARN CONN ASM 18 CKT	H	0	2458	ST GRAY	ACTIVE
4	MOLEX	34851-0019	12672835	31AU15	HARN CONN ASM 18 CKT	G	9	1358	BLUE	ACTIVE
5	MOLEX	34851-0020	12672837	31AU15	HARN CONN ASM 18 CKT	H	9	2458	ST GRAY	ACTIVE
6	MOLEX	34576-0103	12672838	31JL15	HARN CONN ASM 49 CKT	A	0	1458	BLACK	ACTIVE
7	MOLEX	34576-0203	12672840	T.B.D.	HARN CONN ASM 49 CKT	B	0	1468	ST GRAY	NOT ACTIVE
8	MOLEX	34576-0303	12672842	31JL15	HARN CONN ASM 49 CKT	C	0	2467	BLUE	ACTIVE
9	MOLEX	34576-1303	12672839	31JL15	HARN CONN ASM 49 CKT	A	9	1458	BLACK	ACTIVE
10	MOLEX	34576-1403	12672841	T.B.D.	HARN CONN ASM 49 CKT	B	9	1468	ST GRAY	NOT ACTIVE
11	MOLEX	34576-1503	12672843	31JL15	HARN CONN ASM 49 CKT	C	9	2467	BLUE	ACTIVE
12	MOLEX	34576-0703	12672848	11JN04	HARN CONN ASM 56 CKT	G	0	1358	BLUE	AVAILABLE
13	MOLEX	34576-0803	12672846	11JN04	HARN CONN ASM 56 CKT	H	0	2458	ST GRAY	AVAILABLE
14	MOLEX	34576-0903	12672844	T.B.D.	HARN CONN ASM 56 CKT	J	0	2457	BLACK	NOT ACTIVE
15	MOLEX	34576-1903	12672849	11JN04	HARN CONN ASM 56 CKT	G	9	1358	BLUE	AVAILABLE
16	MOLEX	34576-2003	12672847	T.B.D.	HARN CONN ASM 56 CKT	H	9	2458	ST GRAY	NOT ACTIVE
17	MOLEX	34576-2103	12672845	T.B.D.	HARN CONN ASM 56 CKT	J	9	2457	BLACK	NOT ACTIVE
18	MOLEX	34736-0028	12672851	01AU10	MX64 RCPT TERM Ag 0.5mm/0.75mm ISO GAGE B (RIGHT PAYOFF)	N/A	N/A	N/A	N/A	AVAILABLE
19	MOLEX	34736-0026	12672850	01AU10	MX64 RCPT TERM Ag 0.35mm ISO B (RIGHT PAYOFF)	N/A	N/A	N/A	N/A	AVAILABLE
20	MOLEX	34586-0001	12674820	11JN04	MX123 0.64MM GROMMET PLUG	N/A	N/A	N/A	NATURAL	AVAILABLE
21	YAZAKI	7116-4150-02	12588066	02JN03	2.8mm YESC SEALED FEMALE TERMINAL TIN 0.35mm2-0.50mm2	N/A	N/A	N/A	N/A	NOT ACTIVE
22	YAZAKI	7116-4151-02	12588067	02JN03	2.8mm YESC SEALED FEMALE TERMINAL TIN 0.75mm2-1.0mm2	N/A	N/A	N/A	N/A	NOT ACTIVE
23	YAZAKI	7116-4152-02	12582685	02JN03	2.8mm YESC SEALED FEMALE TERMINAL TIN 1.5mm2-2.5mm2	N/A	N/A	N/A	N/A	AVAILABLE
24	YAZAKI	7158-3111-60	12588068	02JN03	2.8mm CABLE SEAL (wire O.D. range 1.2mm-1.9mm)	N/A	N/A	N/A	GREEN	NOT ACTIVE
25	YAZAKI	7158-3112-70	12588069	02JN03	2.8mm CABLE SEAL (wire O.D. range 1.8mm-2.3mm)	N/A	N/A	N/A	YELLOW	NOT ACTIVE
26	YAZAKI	7158-3113-40	12582686	02JN03	2.8mm CABLE SEAL (wire O.D. range 2.1mm-3.0mm)	N/A	N/A	N/A	WHITE	AVAILABLE
27	YAZAKI	7158-3114-90	12674821	02JN03	2.8mm YESC CAVITY PLUG	N/A	N/A	N/A	BLUE	AVAILABLE
28	DELPHI	33140138	12646399	10JA14	6.35mm APEX RCPT TERM Sn/Ag GRIP CODE-10 (6mm2) - GREASED	N/A	N/A	N/A	N/A	AVAILABLE
29	DELPHI	33140135	12654556	10JA14	6.35mm APEX RCPT TERM Sn/Ag GRIP CODE-TBD (1mm2) - GREASED	N/A	N/A	N/A	N/A	AVAILABLE
30	QSR	A-0549C	12646688	01SE14	6.35mm CABLE SEAL (FOR 6.0mm2 WIRE SIZE - 3.6 TO 4.2mm INSULATION OD)	N/A	N/A	N/A	WHITE	AVAILABLE
31	QSR	A-0549B	12654557	01SE14	6.35mm CABLE SEAL (FOR 0.75-1.25mm2 WIRE SIZE - 1.8 TO 2.3mm INSULATION OD)	N/A	N/A	N/A	BLUE	AVAILABLE
32	MOLEX	63825-8400	N/A	02JN03	MX64 TERM HAND CRIMP TOOL	N/A	N/A	N/A	N/A	AVAILABLE
33	MOLEX	63813-1400	XX019826	02JN03	MX64 TERM SERVICE TOOL	N/A	N/A	N/A	N/A	AVAILABLE
34	MOLEX	63902-5300	N/A	02JN03	MX64 CRIMP APPLICATOR with TOOL KIT 0.5/0.75mm2 PAYOFF DIRECTION D (left payoff) (contact Molex for payoff detail)	N/A	N/A	N/A	N/A	AVAILABLE
35	MOLEX	63902-5370	N/A	02JN03	MX64 APPLICATOR TOOL KIT 0.5/0.75mm2	N/A	N/A	N/A	N/A	AVAILABLE
36	MOLEX	63902-5100	N/A	02JN03	MX64 CRIMP APPLICATOR with TOOL KIT 0.35mm2 PAYOFF DIRECTION D (left payoff) (contact Molex for payoff detail)	N/A	N/A	N/A	N/A	AVAILABLE
37	MOLEX	63902-5170	N/A	02JN03	MX64 APPLICATOR TOOL KIT 0.35mm2	N/A	N/A	N/A	N/A	AVAILABLE
38	SPX	J35616-64	T.B.D.	02JN03	0.64mm PROBE TOOL (for rcpt)	N/A	N/A	N/A	N/A	AVAILABLE
39	SPX	J35616-64A	T.B.D.	02JN03	0.64mm PROBE TOOL WITH EXT (for rcpt)	N/A	N/A	N/A	N/A	AVAILABLE
40	SPX	J35616-65	T.B.D.	02JN03	0.64mm PROBE TOOL WITH EXT (for pin)	N/A	N/A	N/A	N/A	AVAILABLE
41	SPX	J35616-4A	T.B.D.	02JN03	2.8mm PROBE TOOL (for rcpt)	N/A	N/A	N/A	N/A	AVAILABLE
42	YAZAKI	X39899-J374	12094430	02JN03	2.8mm TERM SERVICE TOOL	N/A	N/A	N/A	N/A	AVAILABLE
43	TQI	7000-1001	N/A	01FE15	18CKT PASS THROUGH ADAPTERS	N/A	N/A	N/A	BLACK	AVAILABLE
44	TQI	7000-1004	N/A	01FE15	49CKT PASS THROUGH ADAPTERS	N/A	N/A	N/A	BLACK	AVAILABLE
45	TQI	79917-0060	N/A	02JA08	56CKT PASS THROUGH ADAPTERS	N/A	N/A	N/A	BLACK	AVAILABLE
46	MOLEX	63813-1500	J-38125-217	01SE14	6.35mm APEX TERM SERVICE TOOL	N/A	N/A	N/A	N/A	AVAILABLE

\* MX123 WIRE HARNESS COVER  
MATES TO ANY 18/49/56 CKT  
MX123 HARN CONN ASSY  
SHOWN ON THIS TABLE



PAGE TITLE  
COMPONENT TABLE

DRAWING NUMBER

12672832

DWG STATUS

ST REV PDI

R 001

PAGE NUMBER

5 of 23

NOTES: UNLESS OTHERWISE SPECIFIED

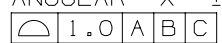
1. MATERIAL FOR INTERFACE:

- A. RESIN:
  - 1. 30% G.F. PBT; 20% MAX. (BY WEIGHT) REGRIND.
  - 2. MATING CONNECTOR INTERFACE PART COLOR MUST BE SAME AS MATCHING KEYED HARNESS CONNECTOR ASSEMBLY.
  - 3. MUST BE VALIDATED FOR INDIVIDUAL DEVICE APPLICATION REQUIREMENTS.
- B. 0.64MM PINS:
  - 1. BASE MATERIAL: COPPER ALLOY; CONDUCTIVITY >= 28% IACS AT 20°C; TENSILE STRENGTH >= 635 N/mm<sup>2</sup>; SURFACE ROUGHNESS R<sub>a</sub> 6 MAX.
  - 2. PLATING FINISH: SILVER (Ag). PLATING TO BE 1.9-3.3 μm ELECTRODEPOSITED SEMI-BRIGHT SILVER OVER 1.25-2.25 μm DUCTILE SULPHAMATE NICKEL PER NOTE 1(D).
  - 3. ANTI-TARNISH: SYNTHETIC HYDROCARBON CONTACT SURFACE FINISH OR EQUIVALENT APPLIED WITHOUT VOID TO CONTACT AREA (MIN 3.7mm FROM PIN TIP).
- C. 2.8MM BLADE:
  - 1. BASE MATERIAL: COPPER ALLOY; CONDUCTIVITY >= 28% IACS AT 20°C; TENSILE STRENGTH >= 350 N/mm<sup>2</sup>; SURFACE ROUGHNESS R<sub>a</sub> 6 MAX.
  - 2. PLATING FINISH: TIN. PLATING TO BE 2.5-5.0 μm ELECTRODEPOSITED TIN, MATTE FINISH OVER 1.25-2.5μm DUCTILE SULPHAMATE NICKEL PER NOTE 1(D).
- D. 6.3MM BLADE:
  - 1. BASE MATERIAL: COPPER ALLOY; CONDUCTIVITY >= 50% IACS AT 20°C;
  - 2. PLATING FINISH: SILVER (Ag) PLATING TO BE 1.9-3.3 μm ELECTRODEPOSITED SEMI-BRIGHT SILVER, OVER 1.25-2.5μm DUCTILE SULPHAMATE NICKEL PER NOTE 1(D) WITH ENVIRONMENTAL BARRIER OR TIN/SILVER (ELECTRO-DEPOSITED), UNDERPLATE 0.5-2.0 μm NICKEL OR COPPER. TOP PLATING: 1.0-3.0 μm (SILVER RANGE 3.75-X.XX NO ANTI-TARNISH COATING REQUIRED).
- E. PLATING REQUIREMENTS:
  - 1. SILVER PLATING
    - a. 99.5% PURE SEMI-BRIGHT WITH NO ORGANIC BRIGHTNERS OR CHROMATES.
  - 2. NICKEL PLATING
    - a. ELECTRODEPOSITED DUCTILE SULFAMATE NICKEL WITH A NON-BRIGHTENED FINISH. NO ORGANIC OR BRIGHTENING AGENTS SHALL BE ALLOWED.
    - b. SHALL ONLY BE USED AS AN UNDERLYING PLATING AND MAY NOT BE USED AS AN ELECTRICAL CONTACT SURFACE PLATING.
    - c. SHALL BE NODULE FREE WHEN VIEWED AT 10X MAGNIFICATION IN MEASURED IN CONTACT SURFACE AREA PLUS 0.5MM PERIMETER AROUND THE CONTACT SURFACE AREA.
    - d. ALL PLATINGS SHALL HAVE A 1.0% MAXIMUM BY WEIGHT IMPURITIES. IMPURITIES ARE DEFINED AS ALL ELEMENTS NOT THE PRIMARY PLATING OR HARDENING AGENT IF APPLICABLE, AS DETERMINED BY WET CHEMICAL ANALYSIS OR AUGER METHOD. NO SINGLE IMPURITY SHALL EXCEED 0.1% MAXIMUM BY WEIGHT.
  - 3. TESTING
    - a. THICKNESS TO BE MEASURED IN CONTACT SURFACE AREA PLUS 0.5MM PERIMETER AROUND THE CONTACT SURFACE AREA AS DESIGNATED IN THE DRAWING. THICKNESS SHALL BE DETERMINED BY METHOD OF X-RAY (XRF).
    - b. PLATING ADHESION SHALL BE TESTED BY A BEND TEST FOR ALL METALS. THE TEST SAMPLE SHALL BE BENT 90 DEGREES TO DETERMINE DEPOSIT ADHESION. TESTING SHALL BE COMPLETED IN ACCORDANCE WITH ASTM SPEC B571.

2. DESIGN - GENERAL:


- A. THIS IS A 100% CAD GENERATED PART. THE CAD MATHEMATICAL DATA IS THE MASTER FOR THIS PART. WHERE DIMENSIONS ARE SPECIFIED ON THE DRAWING, THE DRAWING IS THE AUTHORITY FOR DIMENSIONAL VALUES. FOR DIMENSIONAL OR ANY INFORMATION NOT SHOWN ON THIS DRAWING, ANALYZE THE CAD MODEL.
- B. DIMENSIONS OBTAINED FROM THE DIGITAL MODEL ARE BASIC:
  - 1. FOR RELATIONSHIPS BETWEEN FEATURES WHEN ESTABLISHED BY GEOMETRIC TOLERANCES.
  - 2. FOR THE FORM OF A FEATURE WHEN CONTROLLED BY A PROFILE TOLERANCE.
  - 3. FOR THE SIZE, FORM AND/OR RELATIONSHIP BETWEEN FIXED DATUM TARGETS.
- C. DIMENSIONS OBTAINED FROM THE DIGITAL MODEL ARE ROUNDED TO TWO DECIMAL PLACES (PER IEEE/ASTM SI 10-2002)
- D. VIEWS AND SECTIONS ON THIS DRAWING ARE IN ACCORDANCE WITH GM DCS SECTION C3.
- E. THE DIGITAL MODEL MUST CORRESPOND TO THE RELEASE LEVEL SHOWN IN THE PART BLOCK ON THIS DOCUMENT.
- F. TOLERANCES:
  - 1. LINEAR
 

0.X	± 0.30
0.XX	± 0.10
0.XXX	± 0.10
  - 2. ANGULAR
 

X°	± 3°
----	------
  - 3.  1.0|A|B|C
- G. MINIMUM WALL THICKNESS REQUIRED: 1.3mm.
- H. CORNERS SHOWN AS SHARP TO BE R 0.2 MAX.
- J. LETTERING SHALL BE 0.15 MAX RAISED IN 0.20 MAX RECESS PAD. THIS INCLUDES MATERIAL CODE, RECYCLING CODE, CAVITY ID AND DATE CODE.
- K-1. PARTS MUST BE FREE OF DISCOLORATION, SALT RESIDUE AND OTHER IMPERFECTIONS THAT AFFECT FIT OR FUNCTION.
- K-2. SCRATCHES OR DENTS NOT TO EXCEED 0.013mm IN DEPTH.
- L. FOLLOWING PRODUCTION CODES TO BE PERMANENTLY MARKED & HUMAN READABLE TO A LETTER HEIGHT OF 1.5 ±0.5MM X 0.3 MAX DEEP
  - 1. MATERIAL #: XXXXX-XXXX
  - 2. DATE CODE: JJJY (JULIAN DAY, LAST DIGIT OF YEAR)
  - 3. INSPECTION MACHINE CODE + SERIAL #: X\_XXXXXX

3. DESIGN - MANUFACTURING:

- A. DRAFT TO BE WITHIN TOLERANCE.
- B. ALLOWABLE FLASH MAX 0.2 HIGH X MAX 0.13 THICK.
- C. ALLOWABLE PARTING LINE MISMATCH 0.2 MAX.
- D. EJECTOR PINS MARK TO BE FLUSH TO 0.25 MAX DEPRESSED.
- E. ALLOWABLE GATE VESTIGE FLUSH TO 0.25 MAX PROTRUSION.
- F. NO EXTERNAL MOLD RELEASE AGENT ALLOWED DURING MANUFACTURING.
- G. STEEL THAT FORMS THE INDICATED SURFACE MUST BE POLISHED WITH A DIAMOND FINISH (SPI A-2) OVER THE FULL PERIPHERY OF THE TOOL. SURFACE MUST HAVE NO MISMATCH.
- H. ANY PROCESS LUBRICANT REMAINING ON THE TERMINAL MUST NOT VARNISH OR DEGRADE IT'S ELECTRICAL PERFORMANCE UP TO A MAXIMUM CLASS AMBIENT TEMPERATURE PER SAE USCAR-2 FOR 1008 HOURS. PROCESS LUBRICANTS SHOULD BE APPROVED BY THE RESPONSIBLE ENGINEER.
- J. OPTIONAL FEATURES PROVIDED FOR AUTOMATION.
- K. PART MUST BE FREE FROM BURRS AND SHARP EDGES, WHICH MIGHT BE DETRIMENTAL TO SATISFACTORY ASSEMBLY, SAFE HANDLING OR FUNCTION OF PART.
- L. PARTS AS DELIVERED TO ASSEMBLY SHALL BE CLEAN AND FREE OF DEBRIS, RESIDUAL ABRASIVE MATERIAL AND CORROSION PRODUCTS ADVERESLY AFFECTING FUNCTION OR APPEARANCE.
- M. RESTRICTED AND REPORTABLE SUBSTANCES FOR PARTS PER GMW3059.

	PAGE TITLE	DRAWING NUMBER	DWG STATUS			PAGE NUMBER	
	NOTES		12672832	ST	REV		PDI
			R	001			6 of 23

NOTES: UNLESS OTHERWISE SPECIFIED

4. SYSTEM REQUIREMENTS:

- A. HARNESS CONNECTOR IS COMPATIBLE WITH THE FOLLOWING WIRE SIZE NO'S:  
 0.35mm<sup>2</sup>, MEETING GMW15626 - MIN OD OF 1.30MM  
 0.50mm<sup>2</sup>, MEETING GMW15626  
 0.75mm<sup>2</sup>, MEETING GMW15626 - MIN OD OF 2.06MM

B. CABLE TIE SPECIFICATIONS:

1. CABLE TIE:  
 TENSILE RATING: 220N / (50lbs) MIN  
 TIE LENGTH: 186mm MIN  
 TIE WIDTH: 4.75mm MAX  
 MATERIAL: NYLON
2. INSTALLATION:  
 CABLE TIE TENSION: 190N MIN
3. DRESSED WIRE BUNDLE PACKAGING: SEE FIG. 1

C. WHEN MATED WITH COMPONENT CONNECTOR INTERFACE AND/OR DRESS COVER, HARNESS CONNECTOR SYSTEM CONFORMS TO THE FOLLOWING:

1. SAE/USCAR-2, REV: 3 APRIL, 2001; CLASS 3
2. FIELD CORRELATED LIFE TEST, SAE/USCAR-20, NOV. 2001
3. GMW #3191 AUGUST 22, 2000 (DRAFT); TEMPERATURE CLASS 3 (145°C), SEALING CLASS 1 (HIGH PRESSURE SPRAY), VIBRATION CLASS 2 (ON BODY)
4. TPA USER FORCES (FULLY POPULATED WITH TERMINALS)
  - α. REMOVAL FROM LOCK TO PRE-SET: <=120N

D. WIRE SPECIFICATIONS:

1. WIRE SURFACE MUST BE FREE OF SCRATCHES, GROOVES OR DENTS WHERE FUNCTIONAL

5. TERMINAL CURRENT RATINGS:

A. MX64 RCPT TERM

ALL TESTING DONE IN ACCORDANCE WITH USCAR-2 REV5 SECTION 5.3

1. MX64 RCPT TERM Ag 0.50/0.75mm<sup>2</sup> CRIMPED TO 0.75mm<sup>2</sup> ISO WIRE AND MATED TO MX123 0.64MM PIN: SEE TABLE BELOW
2. MX64 RCPT TERM Ag 0.35mm<sup>2</sup> CRIMPED TO 0.35mm<sup>2</sup> ISO WIRE AND MATED TO MX123 0.64MM PIN: SEE TABLE BELOW

WIRE	CURRENT RATING			
	23 °C	85 °C	105 °C	125 °C
0.75mm <sup>2</sup>	11.3A	11.3A	9.5A	6.6A
0.50mm <sup>2</sup>	10.0A	10.0A	8.3A	5.7A
0.35mm <sup>2</sup>	8.5A	8.5A	7.1A	5.0A

B. 2.8MM RCPT TERM

ALL TESTING DONE IN ACCORDANCE WITH MOLEX DVP&R 0279 (TR# 7125)

1. 2.8MM RCPT TERM TIN 2.0mm<sup>2</sup> CRIMPED TO 2.0mm<sup>2</sup> ISO WIRE AND MATED TO MX123 2.8MM BLADE: 25.6 AMPS AT 125°C

C. 6.3MM RCPT TERM - DELPHI APEX

ALL TESTING DONE IN ACCORDANCE WITH USCAR-2 REV5 SECTION 5.3

1. 6.3MM RCPT TERM TIN/SILVER CRIMPED TO 6.0MM<sup>2</sup> WIRE AND MATED TO MOLEX 6.3MM<sup>2</sup> BLADE (Sn/Ag PLATED): 36A AT 125°C

6. CONTACT MOLEX AUTOMOTIVE FOR AVAILABLE CUSTOM PATTERNS OF CAVITIES OPEN FOR CIRCUITS - SEE GM DRAWING 13507495



PAGE TITLE  
NOTES

DRAWING NUMBER

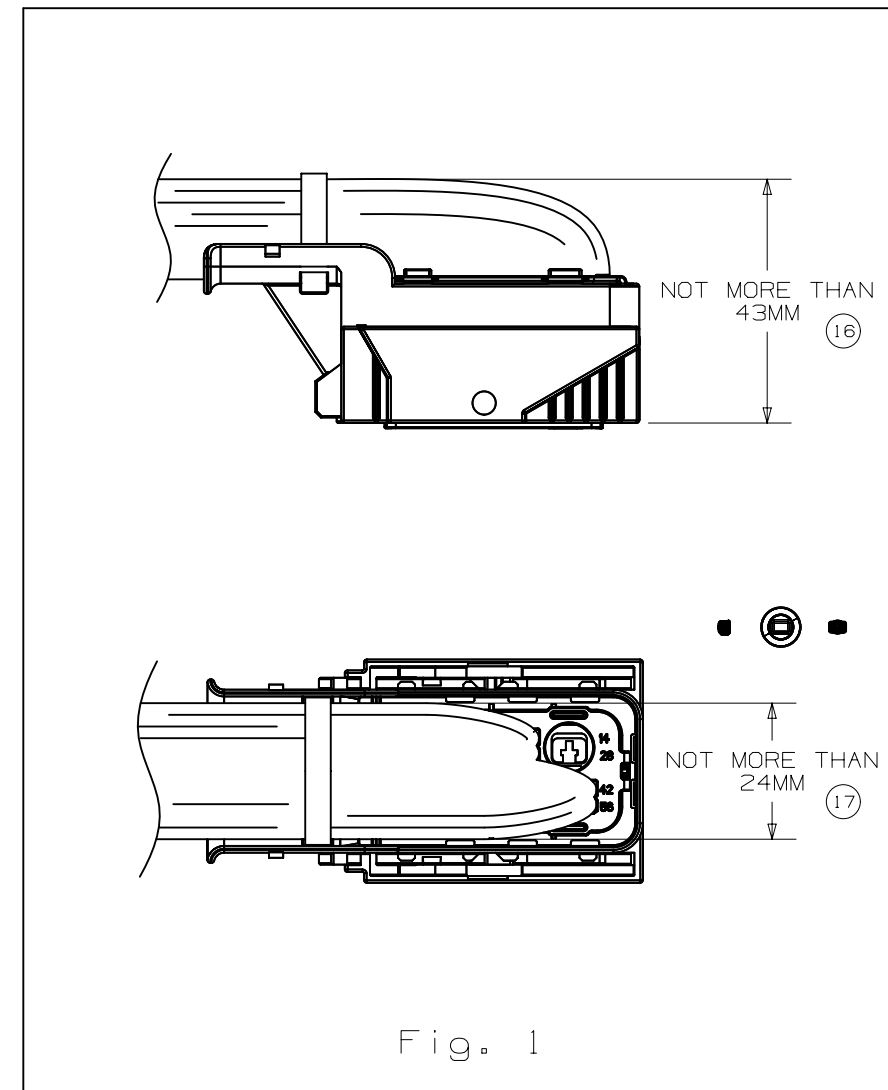
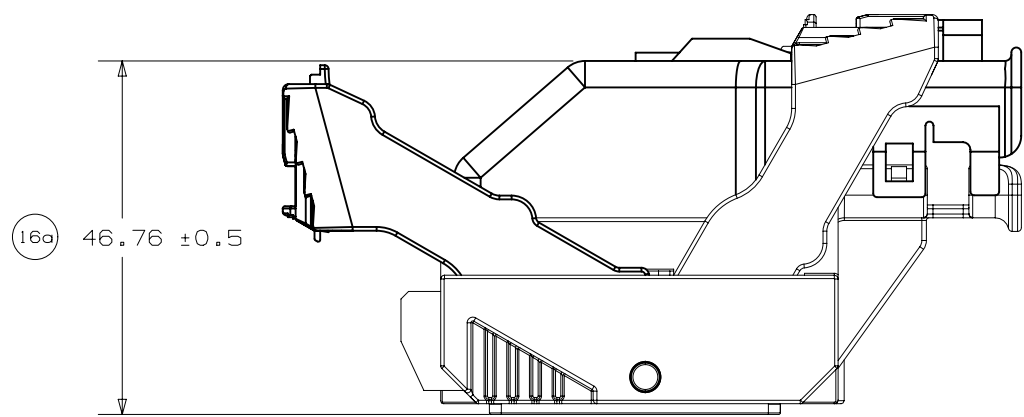
12672832

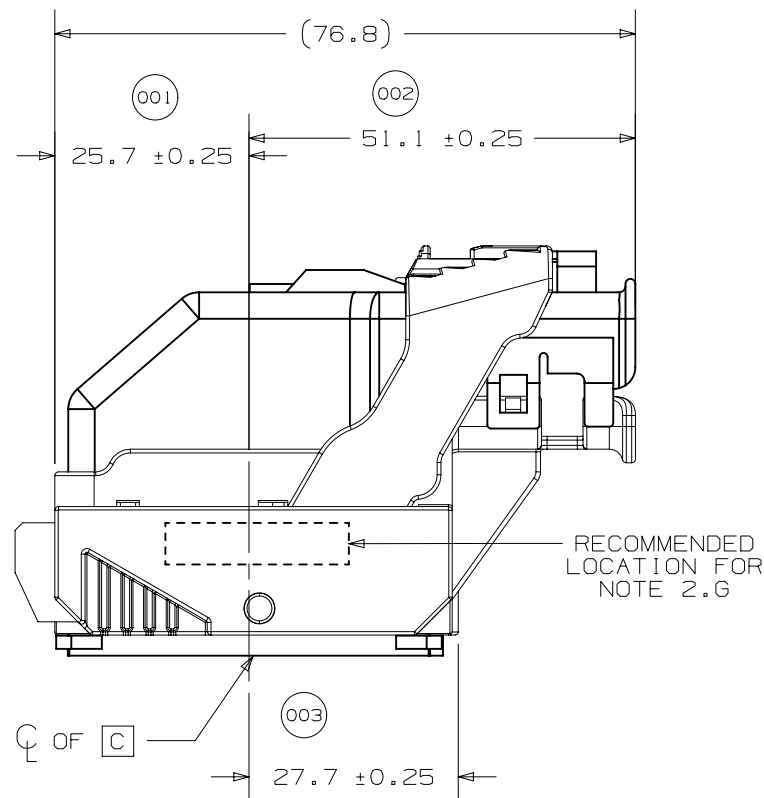
DWG STATUS

ST	REV	PDI
R	001	

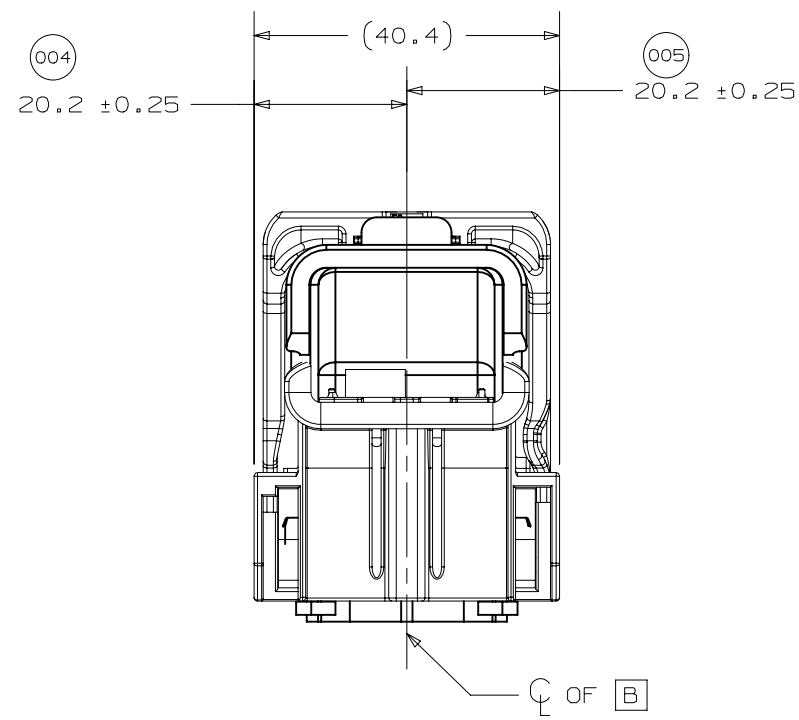
PAGE NUMBER

7 of 23

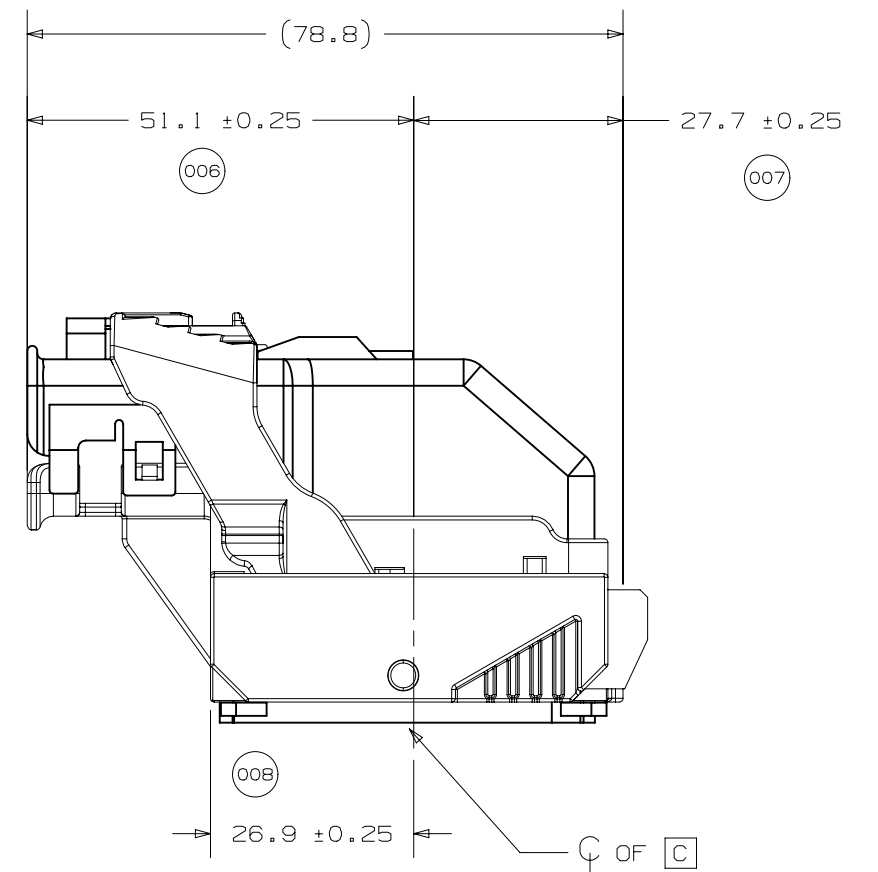




WIRE DRESS OPTION 0 SHOWN

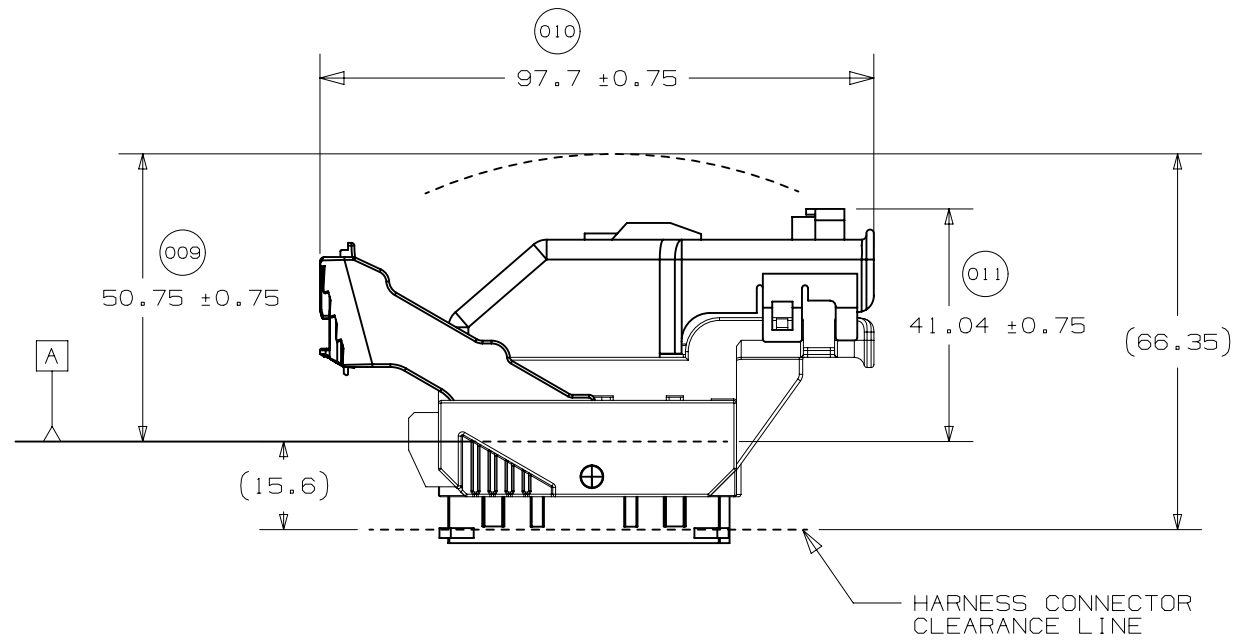
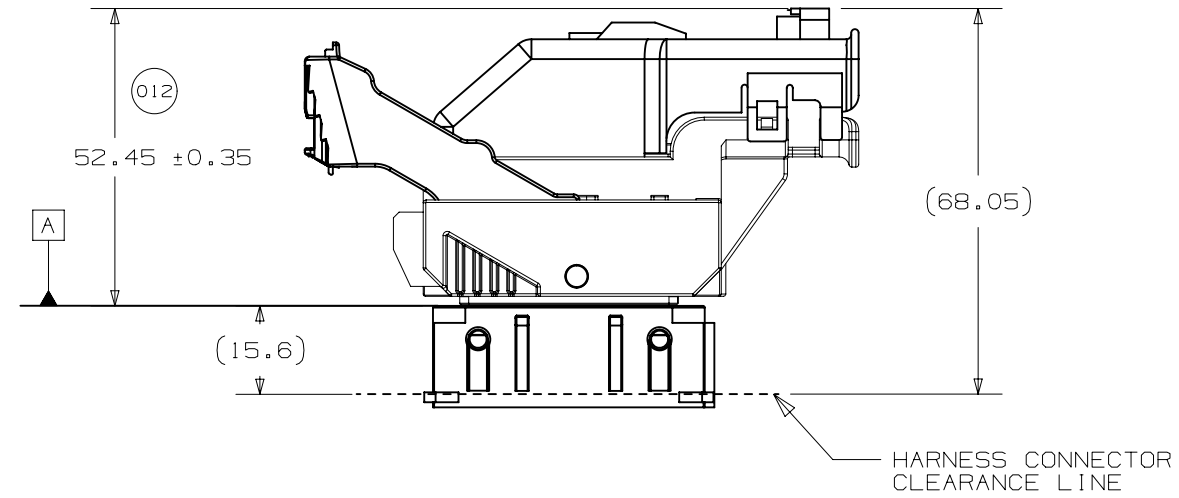


WIRE DRESS OPTION 0 SHOWN

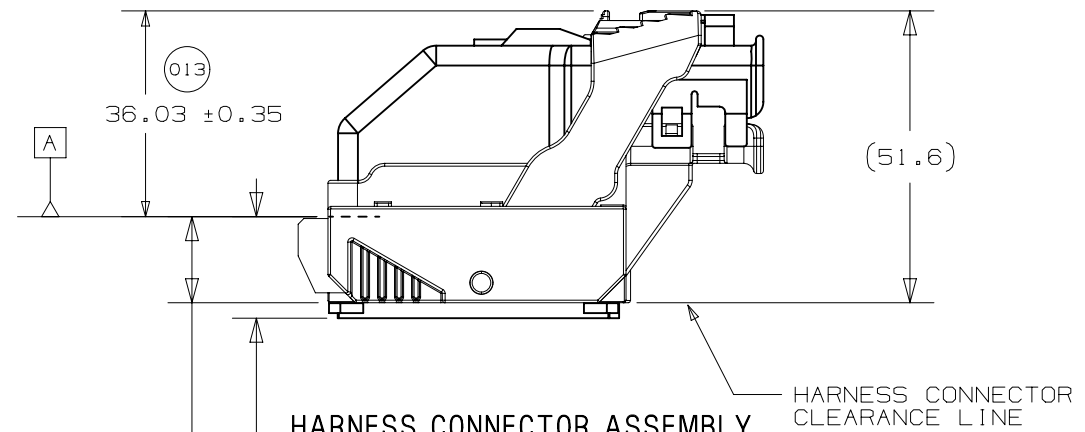


WIRE DRESS OPTION 9 SHOWN





HARNESS CONNECTOR ASSEMBLY  
IN PRE-LOCK POSITION

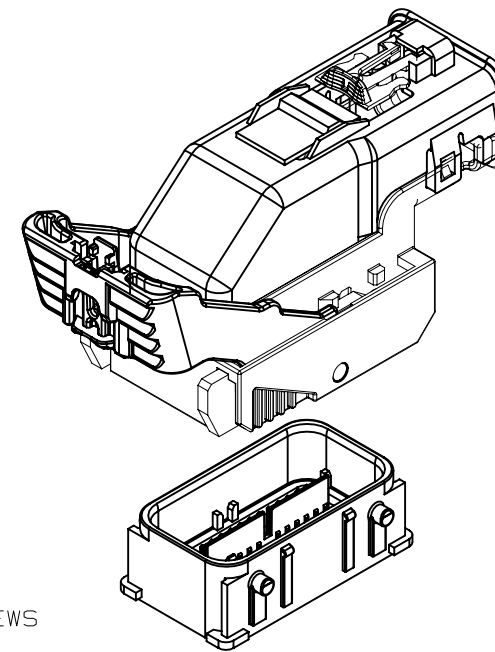
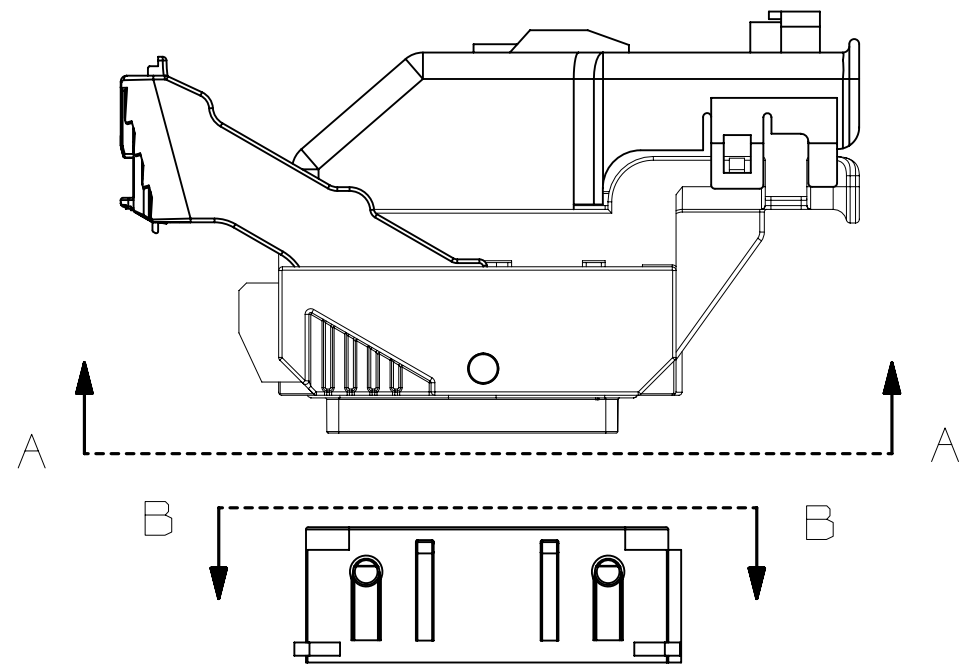


HARNESS CONNECTOR ASSEMBLY  
IN FULLY-MATED POSITION

17.9 MIN. AT PAD LOCATION  
CLEARANCE REQUIRED  
FOR HARNESS CONNECTOR,  
CONSTRUCTION BELOW THIS  
PLANE IS NOT CONTROLLED

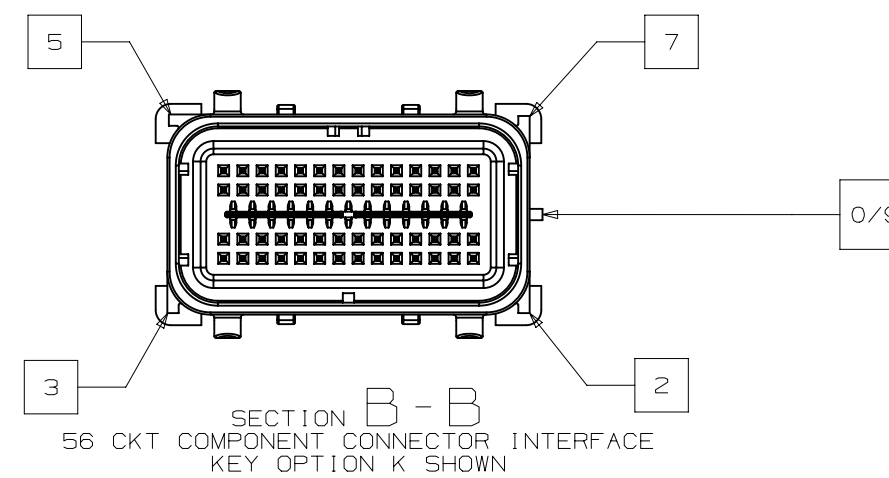
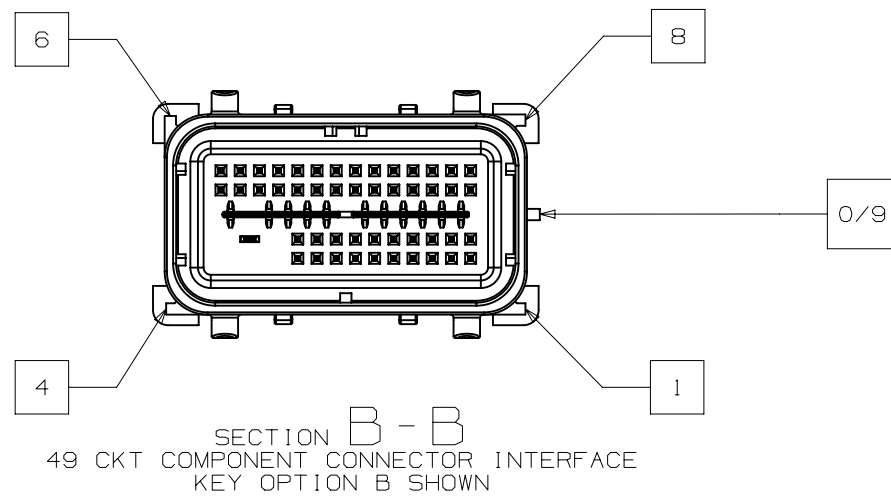
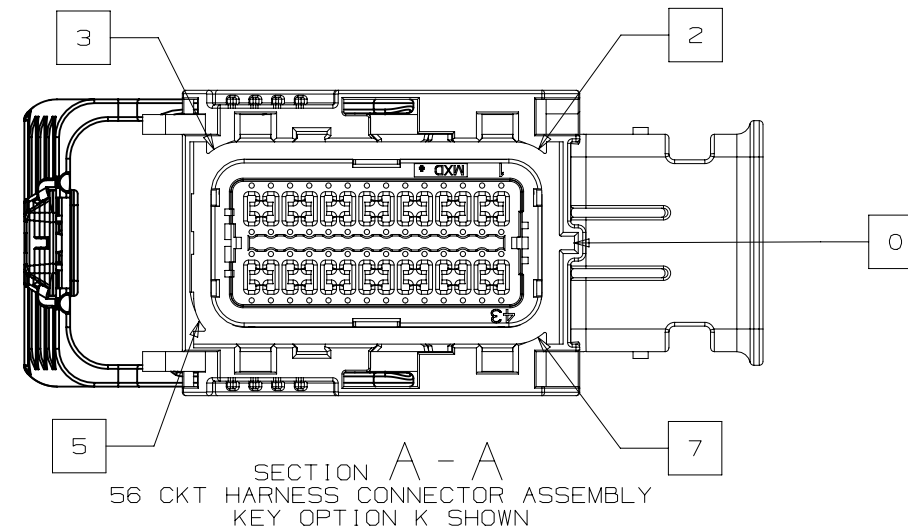
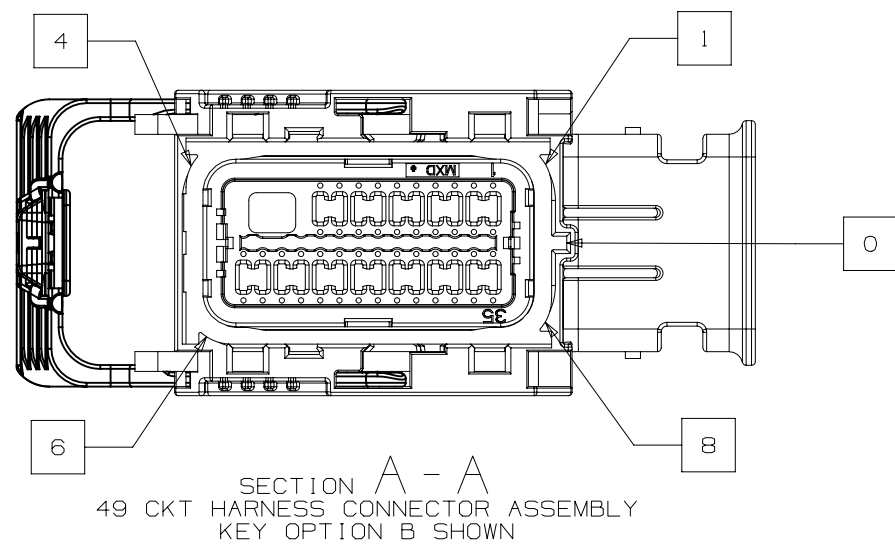
15.6 MIN.  
ALL AROUND  
CLEARANCE REQUIRED  
FOR HARNESS CONNECTOR





NOTE: REFERENCE THE COMPONENT TABLE FOR KEY OPTIONS AND CONFIGURATIONS

INTERFACE SIDE SHOWN IN ALL SECTION VIEWS

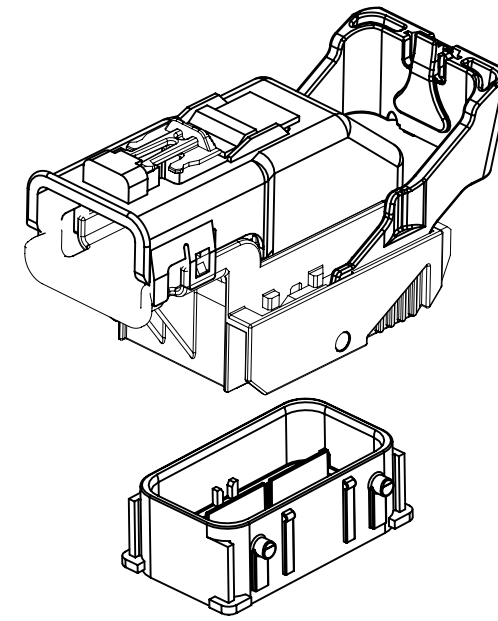
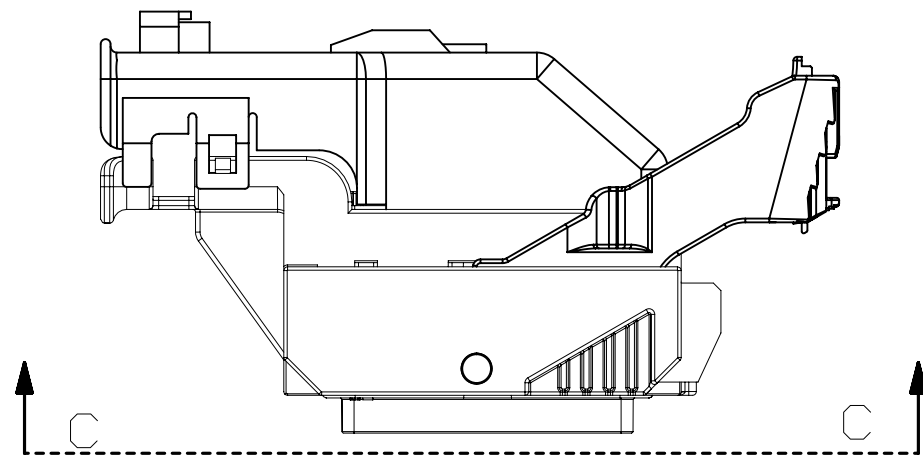


PAGE TITLE  
KEY ID REF - WIRE DRESS OPTION 0

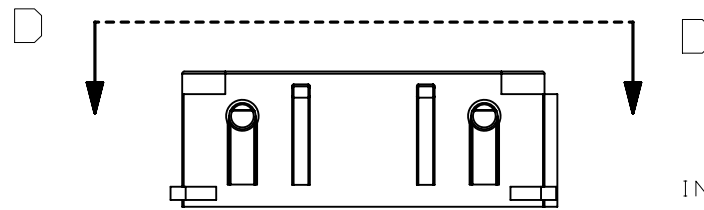
DRAWING NUMBER  
12672832

DWG STATUS			PAGE NUMBER	
ST	REV	PD1	11	OF 23
R	001			

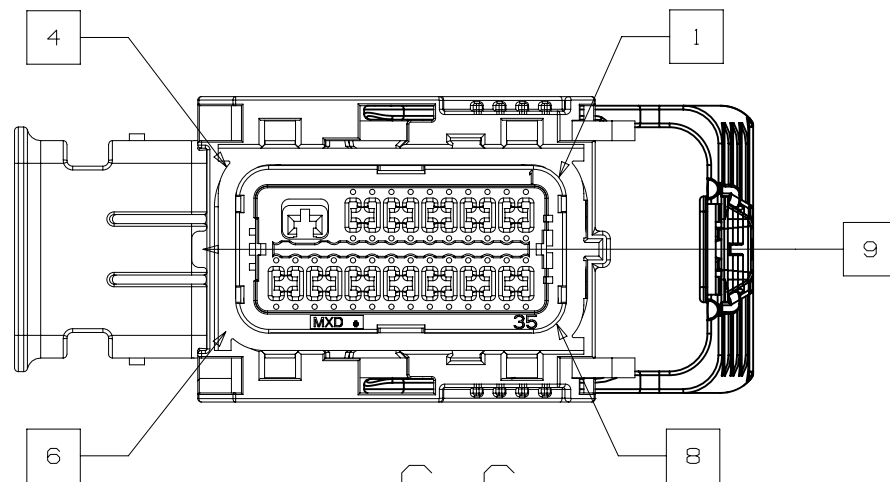




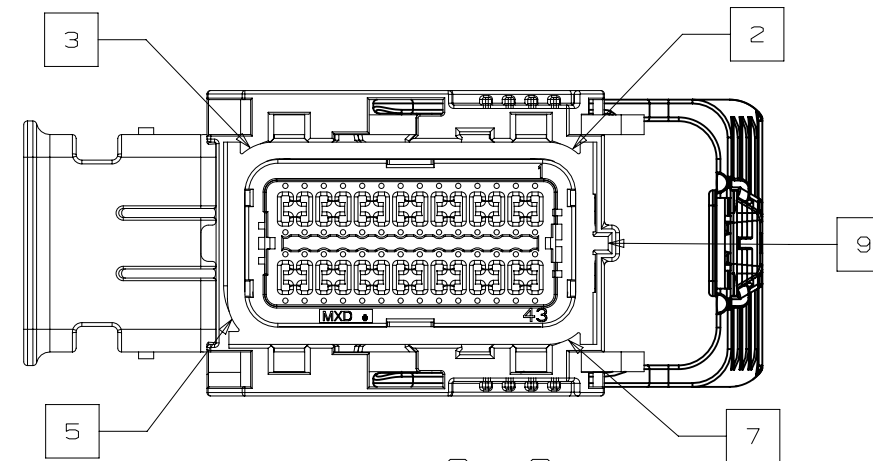
NOTE: REFERENCE THE COMPONENT TABLE FOR KEY OPTIONS AND CONFIGURATIONS



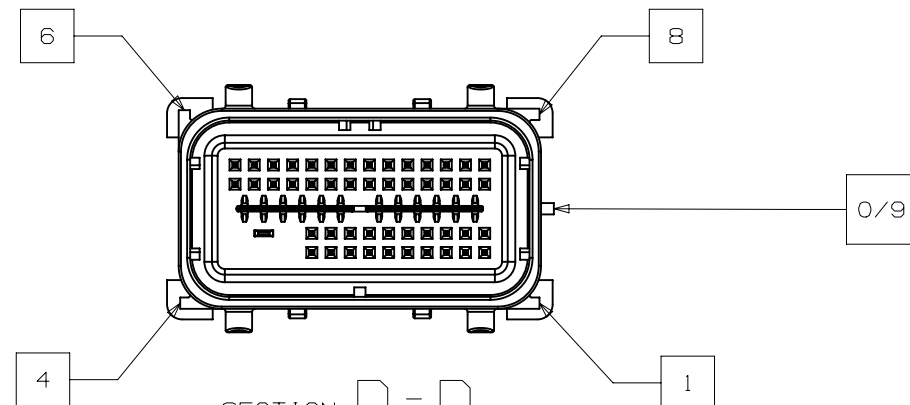
INTERFACE SIDE SHOWN ON ALL SECTION VIEWS



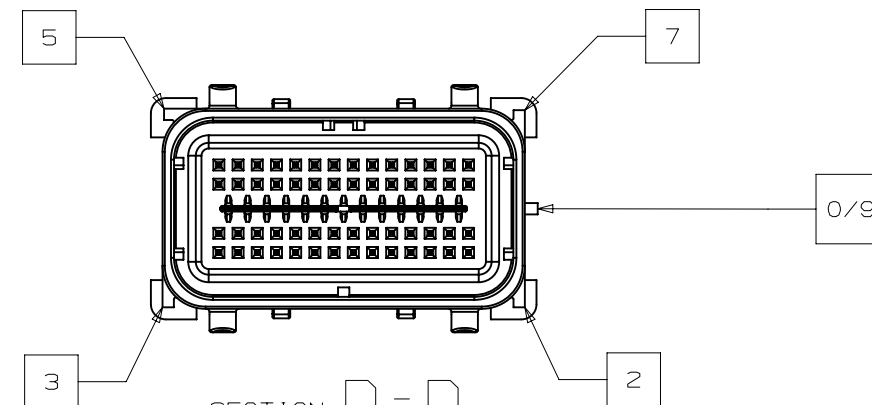
SECTION C - C  
49 CKT HARNESS CONNECTOR ASSEMBLY  
KEY OPTION B SHOWN



SECTION C - C  
56 CKT HARNESS CONNECTOR ASSEMBLY  
KEY OPTION K SHOWN



SECTION D - D  
49 CKT COMPONENT CONNECTOR INTERFACE  
KEY OPTION B SHOWN



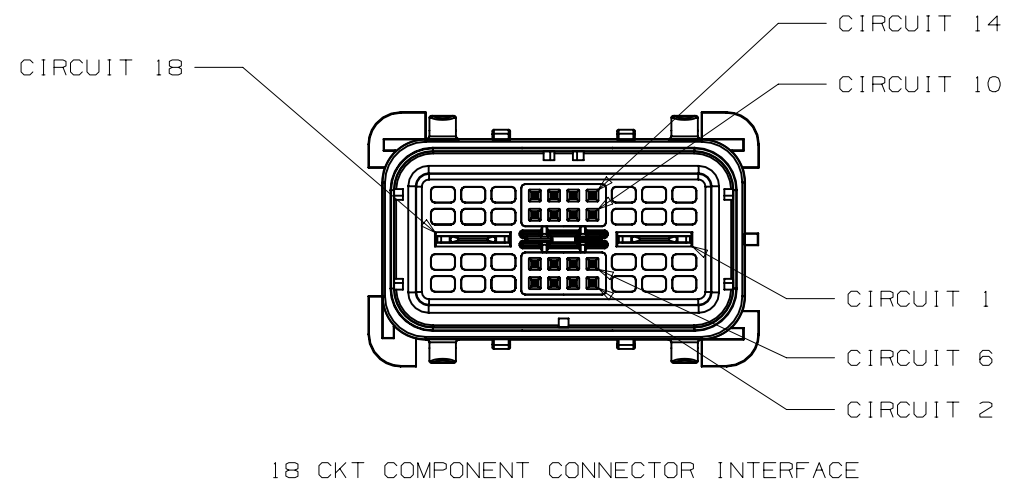
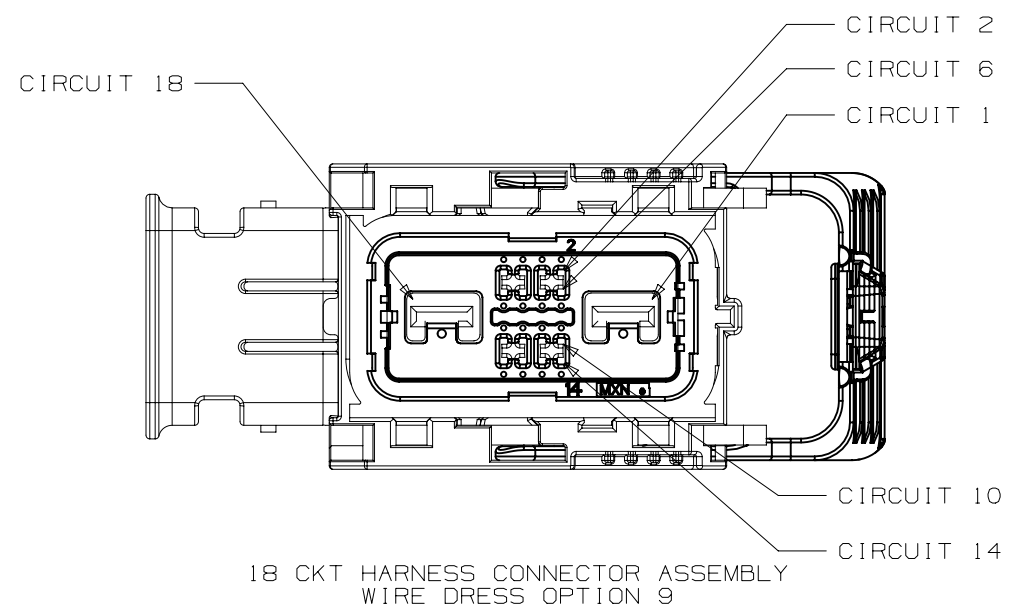
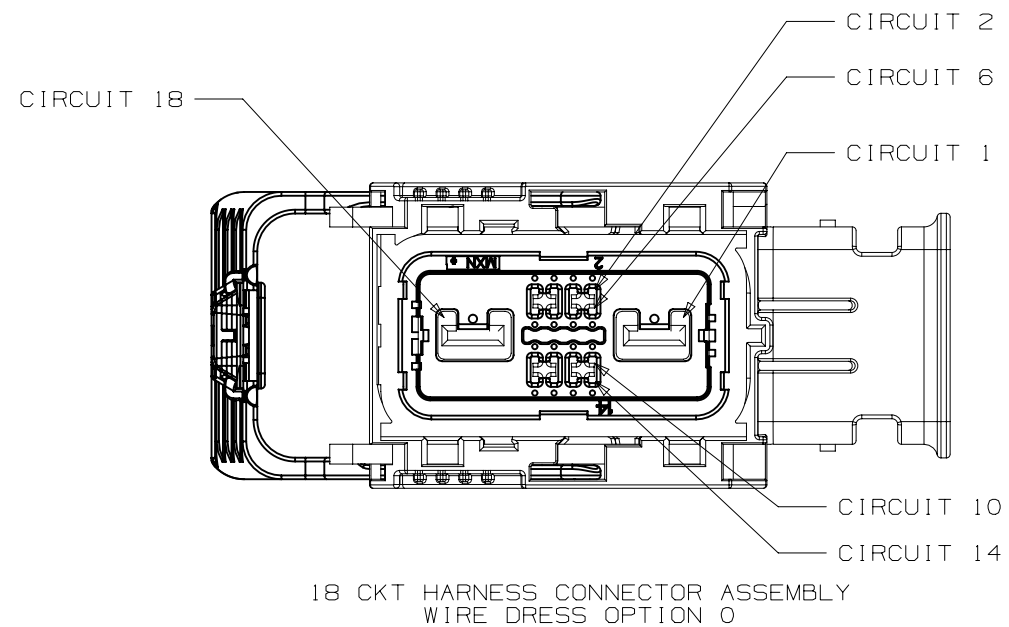
SECTION D - D  
56 CKT COMPONENT CONNECTOR INTERFACE  
KEY OPTION K SHOWN



PAGE TITLE  
KEY ID REF - WIRE DRESS OPTION 9

DRAWING NUMBER  
12672832

DWG STATUS			PAGE NUMBER	
ST	REV	PD1	12	OF 23
R	001			



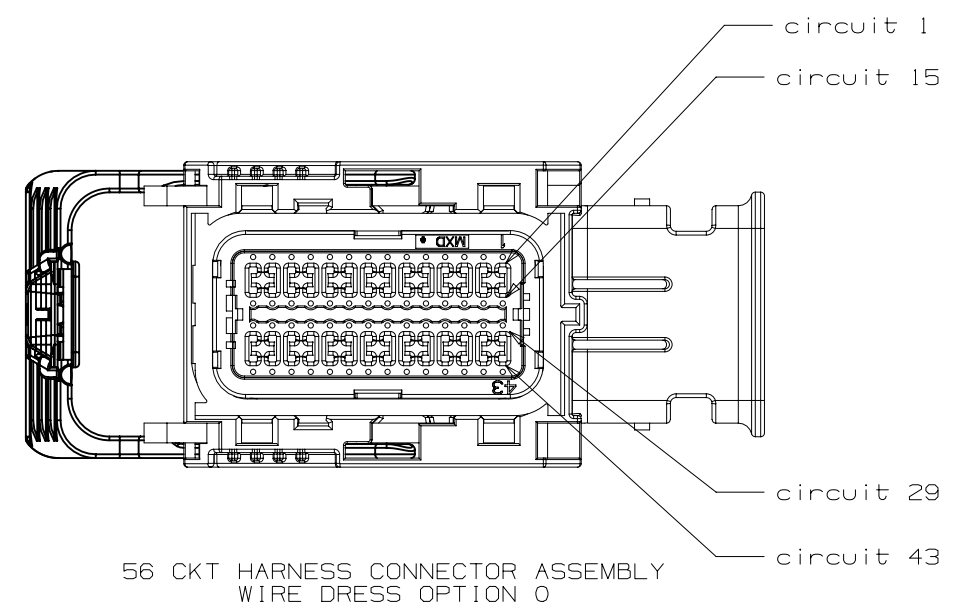
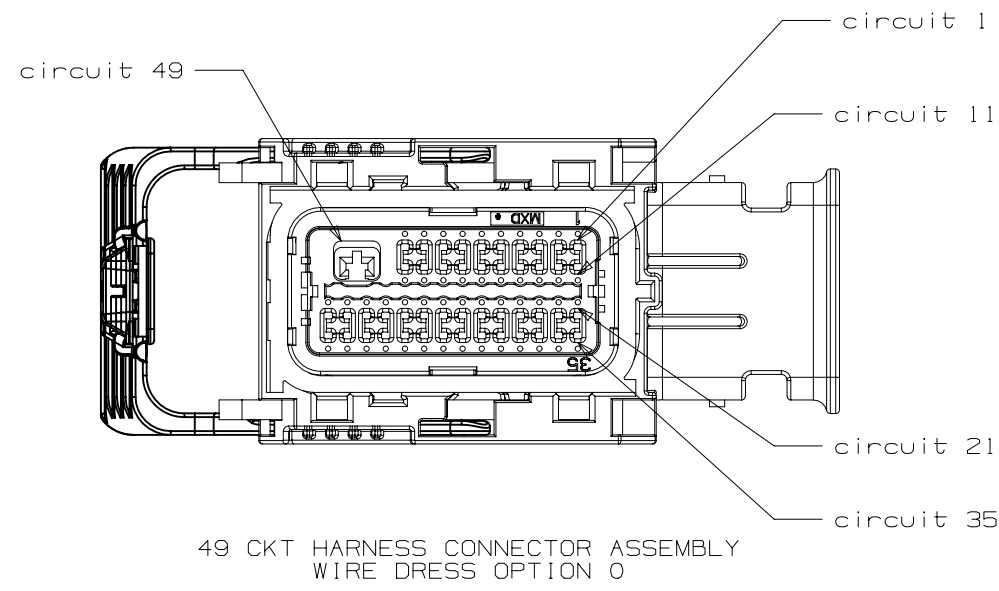
INTERFACE SIDE SHOWN ON ALL VIEWS



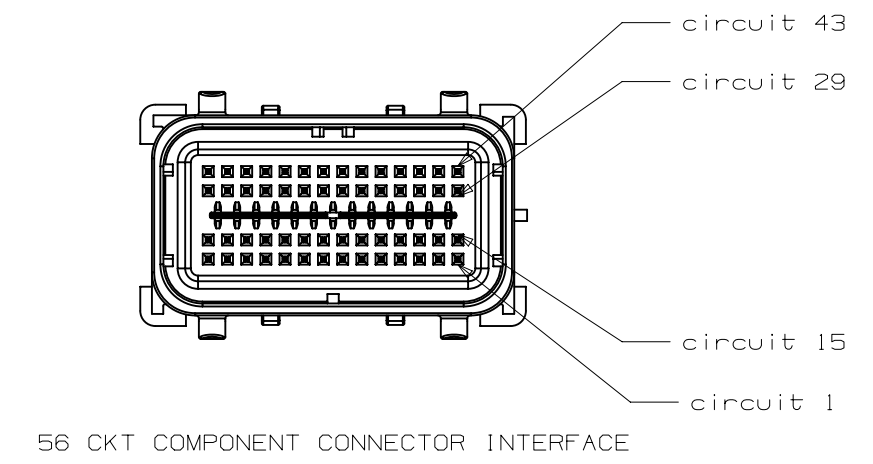
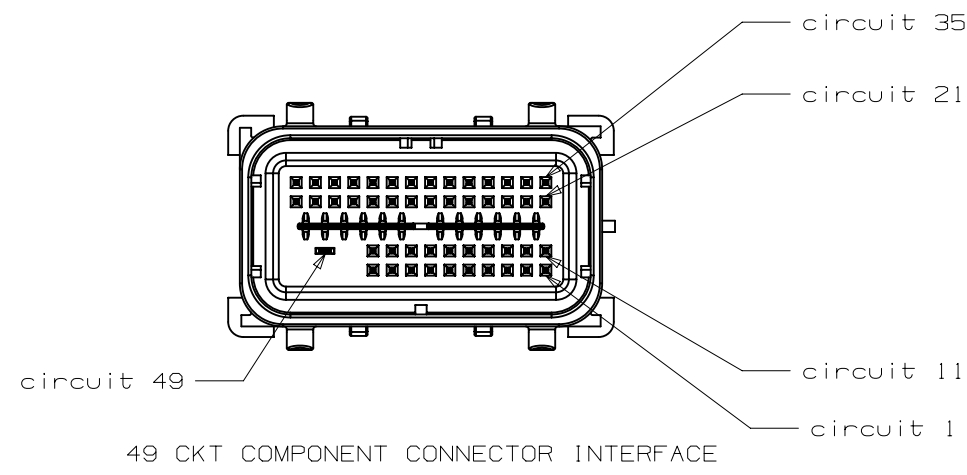
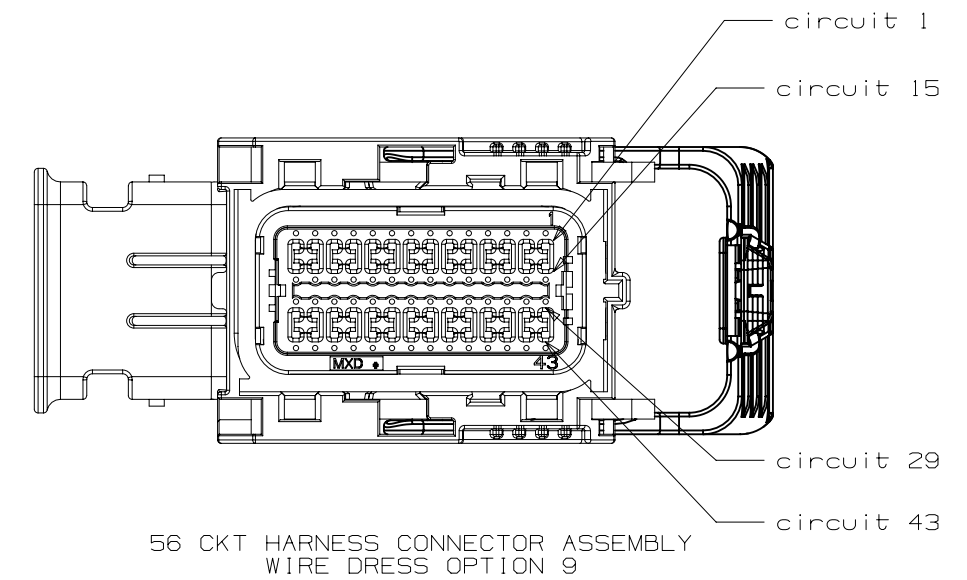
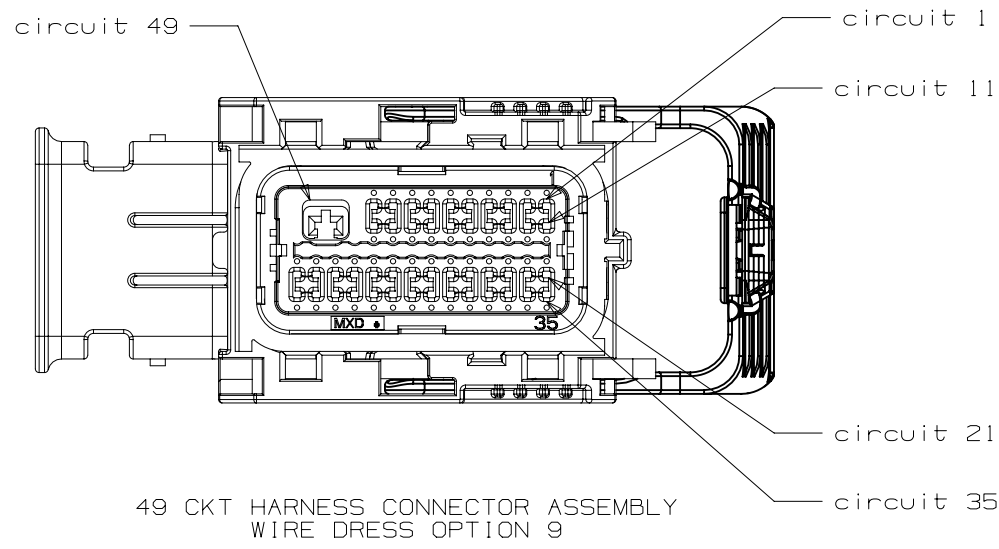
PAGE TITLE  
CIRCUIT CONFIGURATIONS

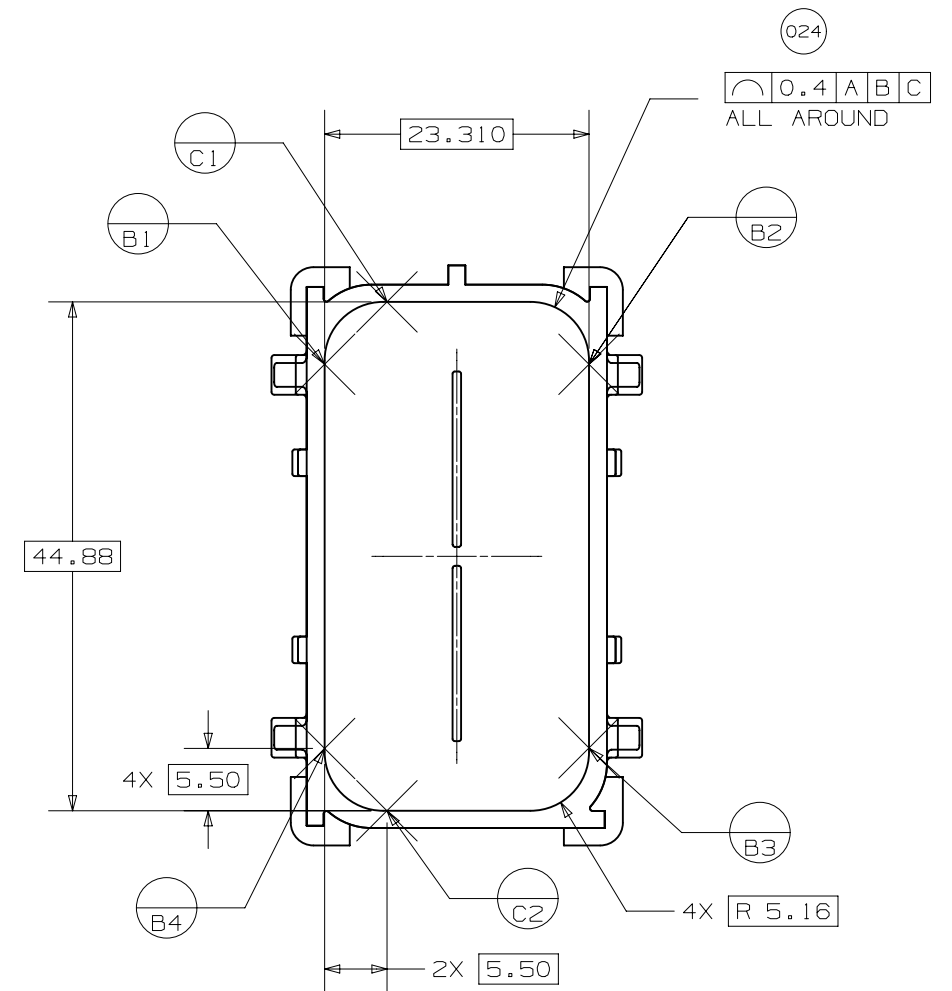
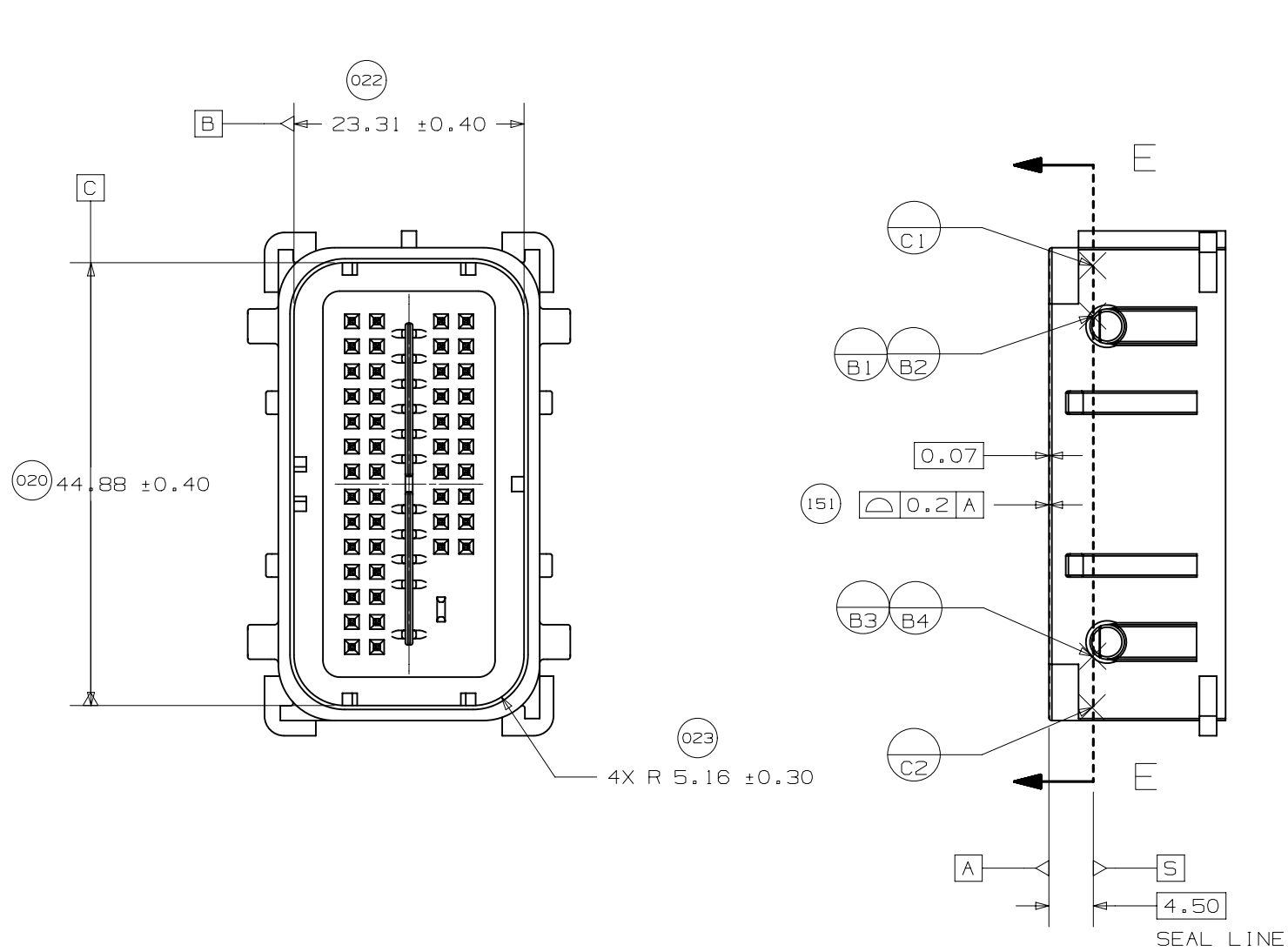
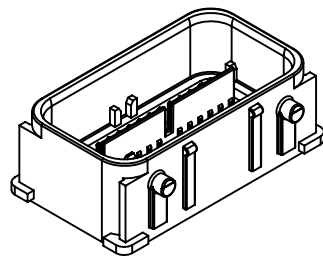
DRAWING NUMBER  
12672832

DWG STATUS			PAGE NUMBER	
ST	REV	PDI	13	OF 23
R	001			



INTERFACE SIDE SHOWN ON ALL VIEWS





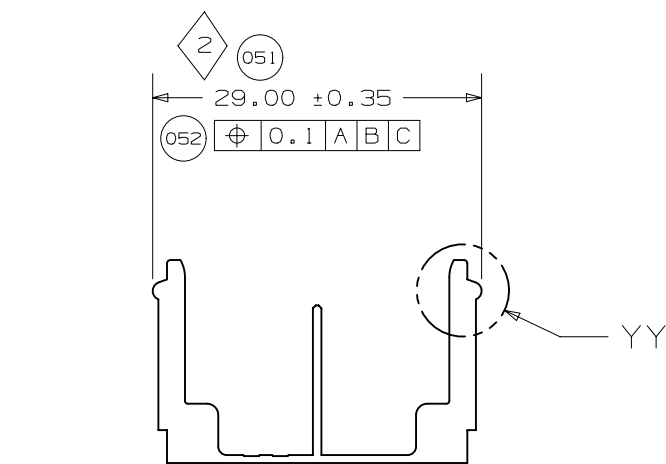
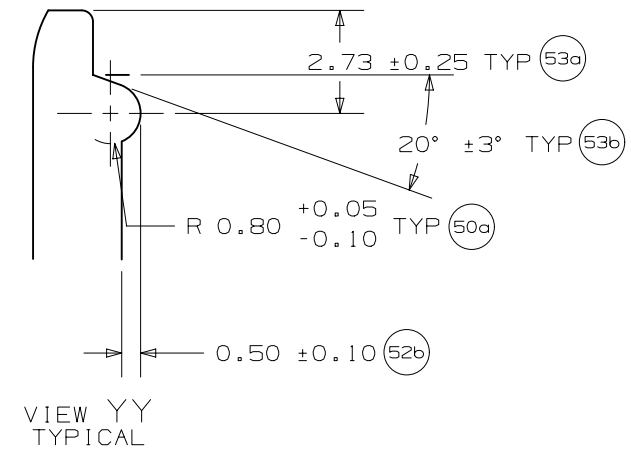
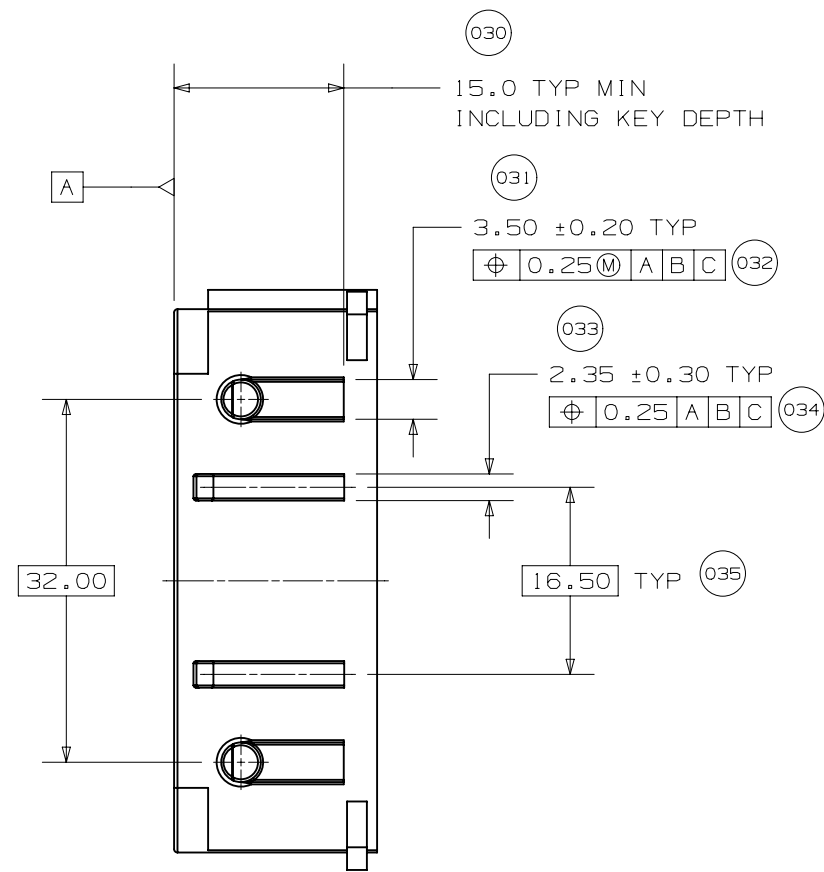
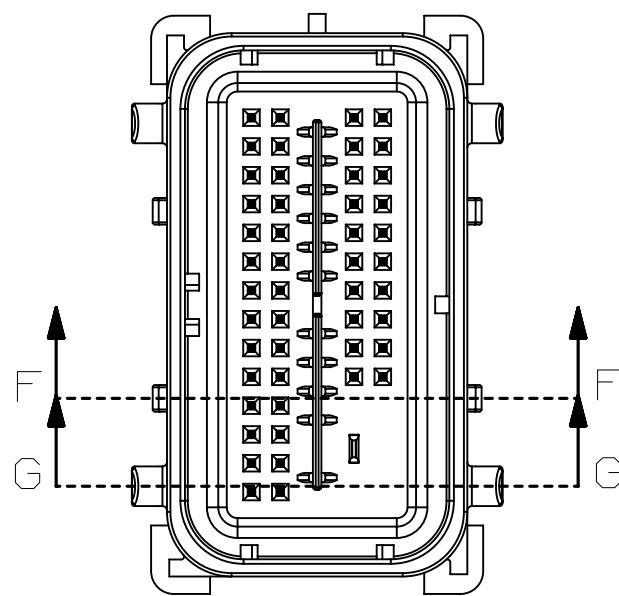
UNLESS SPECIFIED, TOLERANCE OF THE DEVICE INTERFACE TO BE  $\square 0.13 \text{ A B C}$



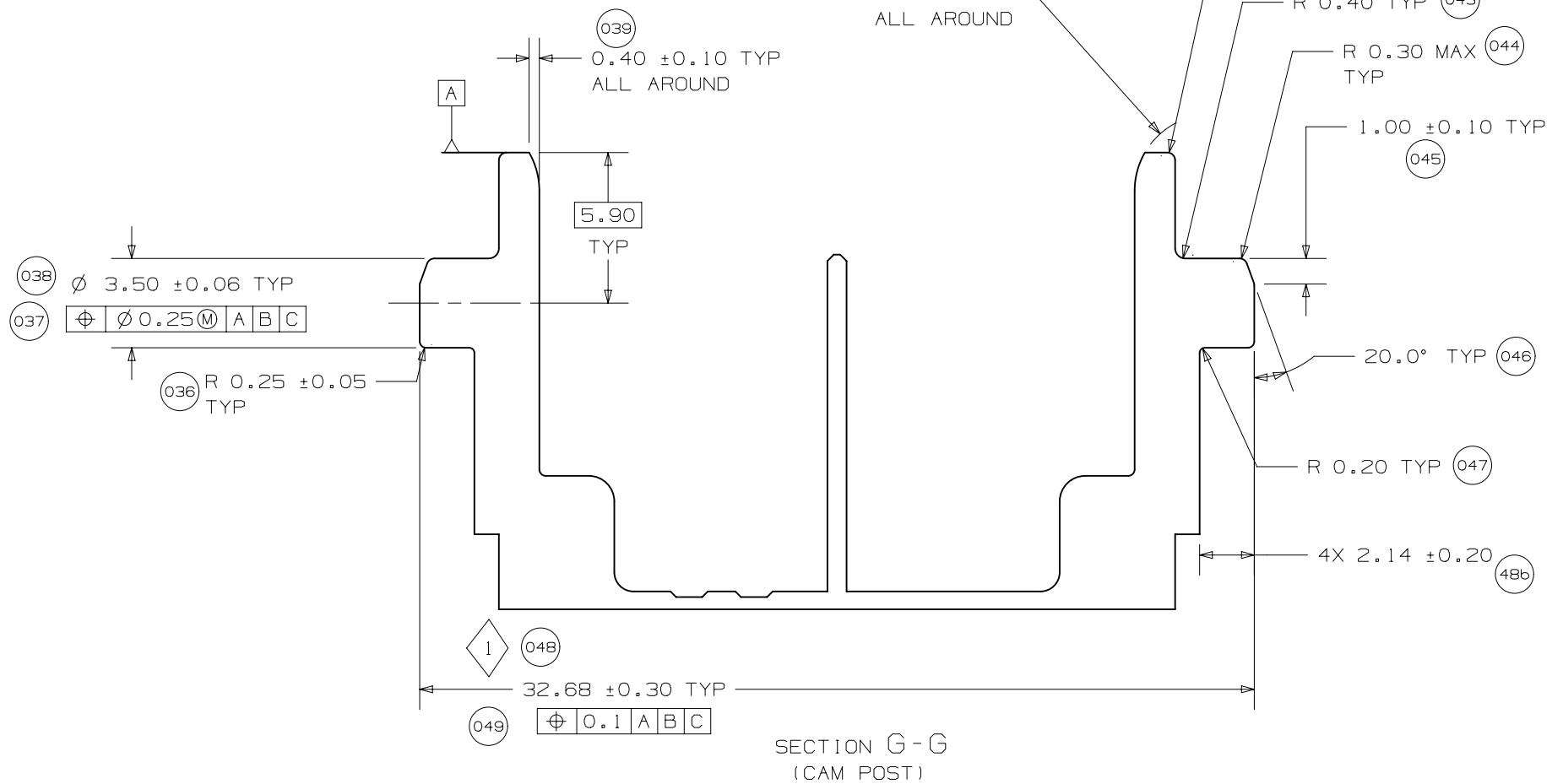
PAGE TITLE  
COMPONENT CONNECTOR INTERFACE

DRAWING NUMBER  
12672832

DWG STATUS			PAGE NUMBER
ST	REV	PD1	
R	001		15 of 23

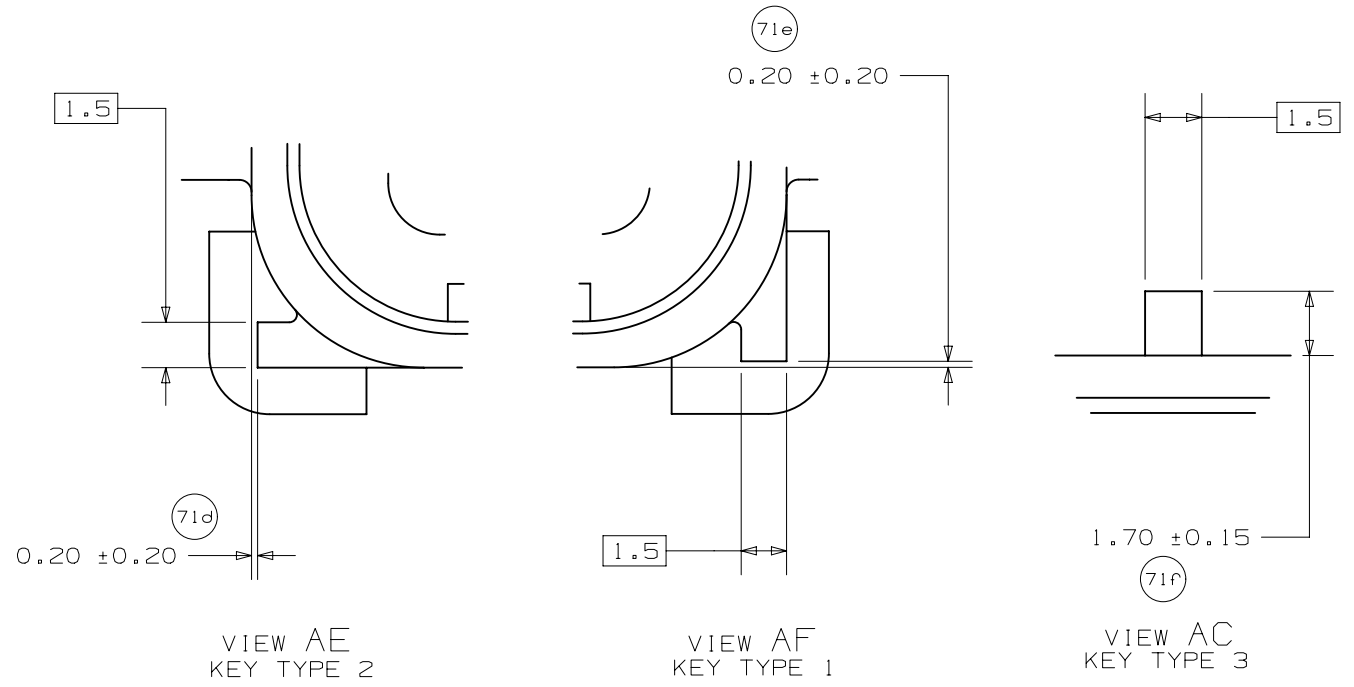
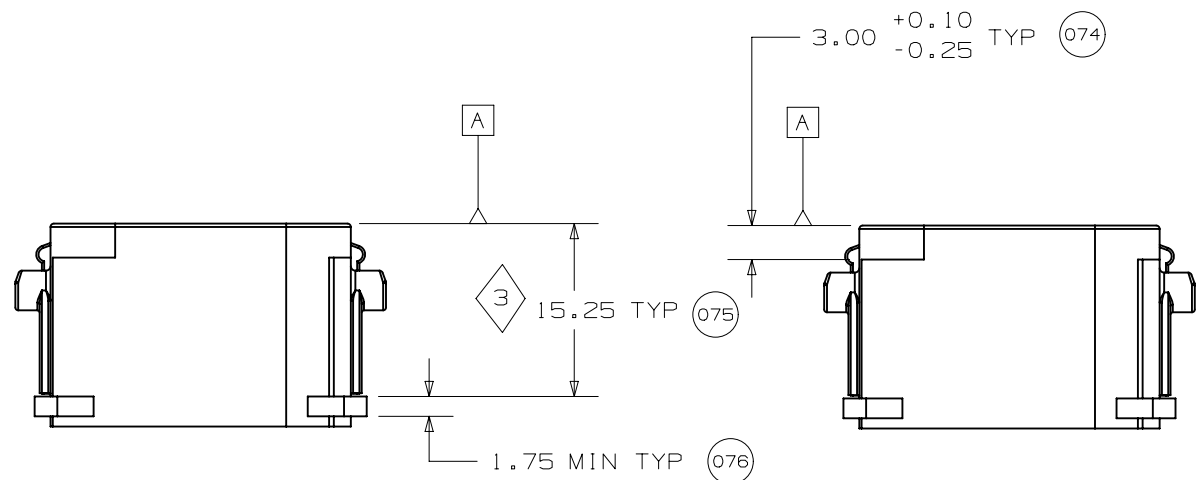
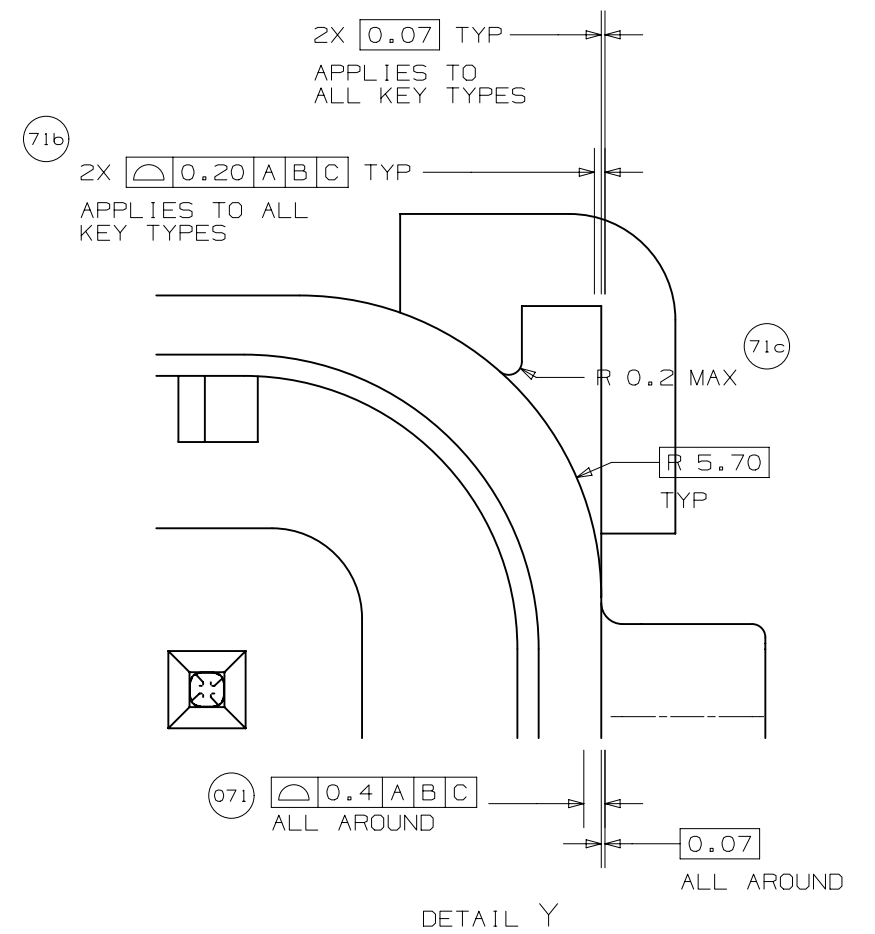
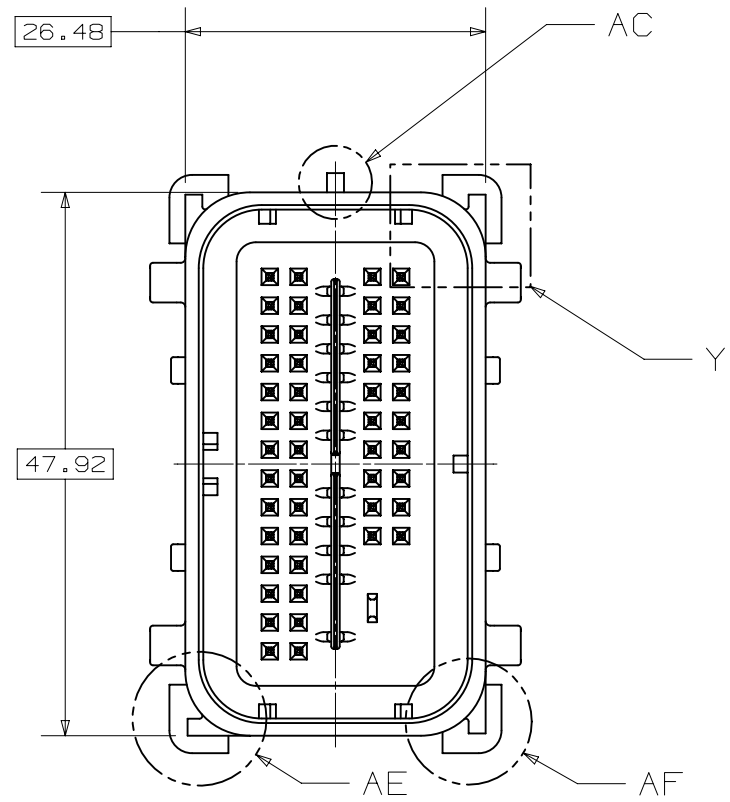
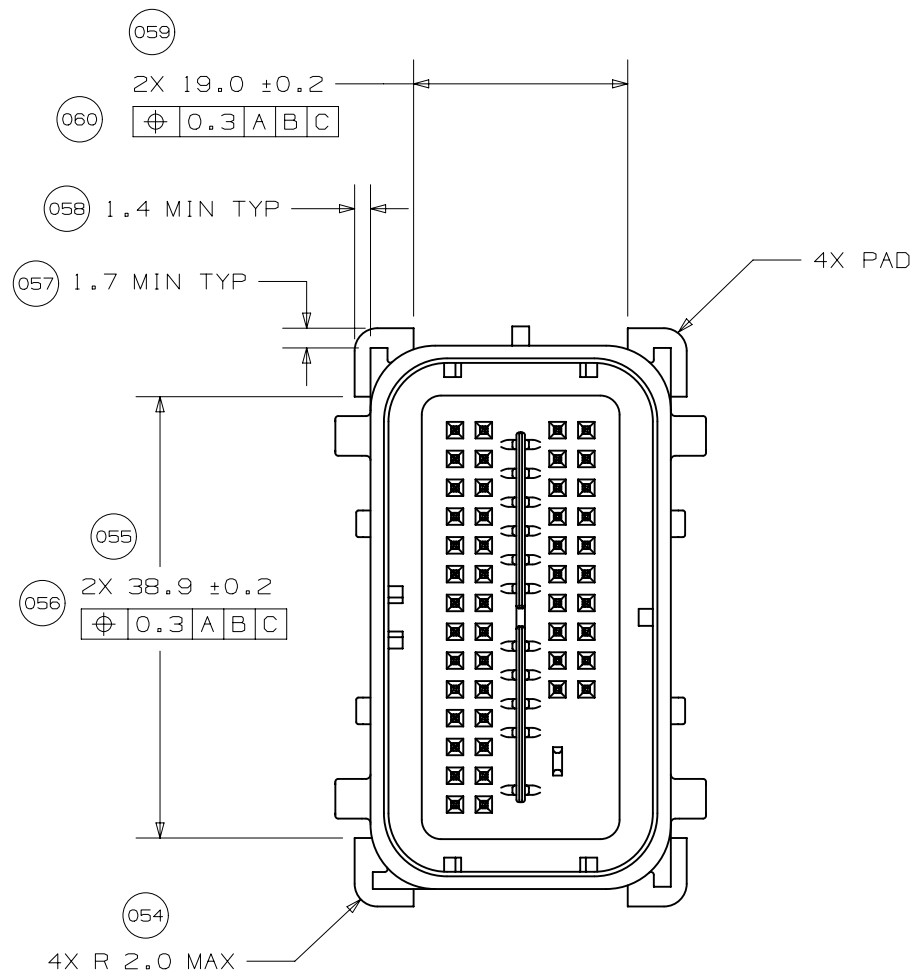


SECTION F-F  
(RELEASE FEATURE)



SECTION G-G  
(CAM POST)

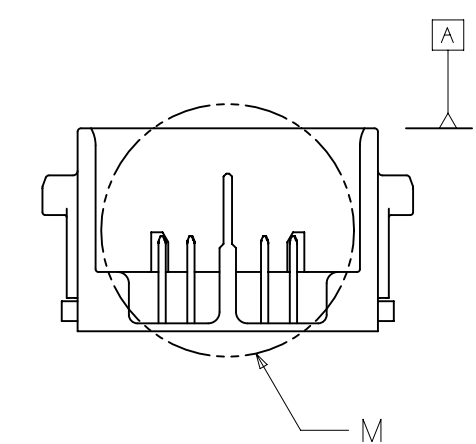
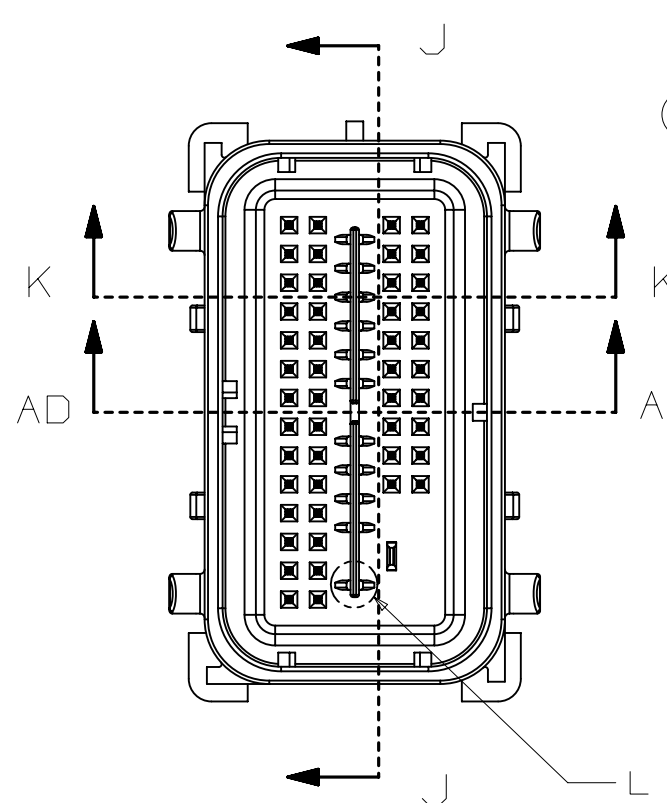




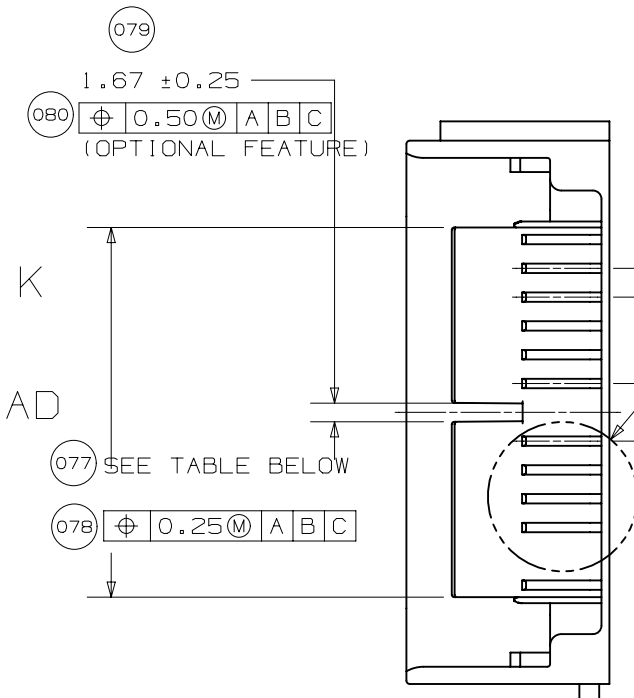
PAGE TITLE  
COMPONENT CONNECTOR INTERFACE

DRAWING NUMBER  
12672832

DWG STATUS			PAGE NUMBER
ST	REV	PD1	
R	001		17 of 23

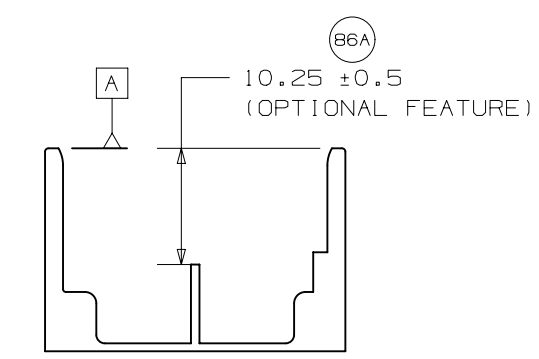


SECTION K-K



SECTION J-J

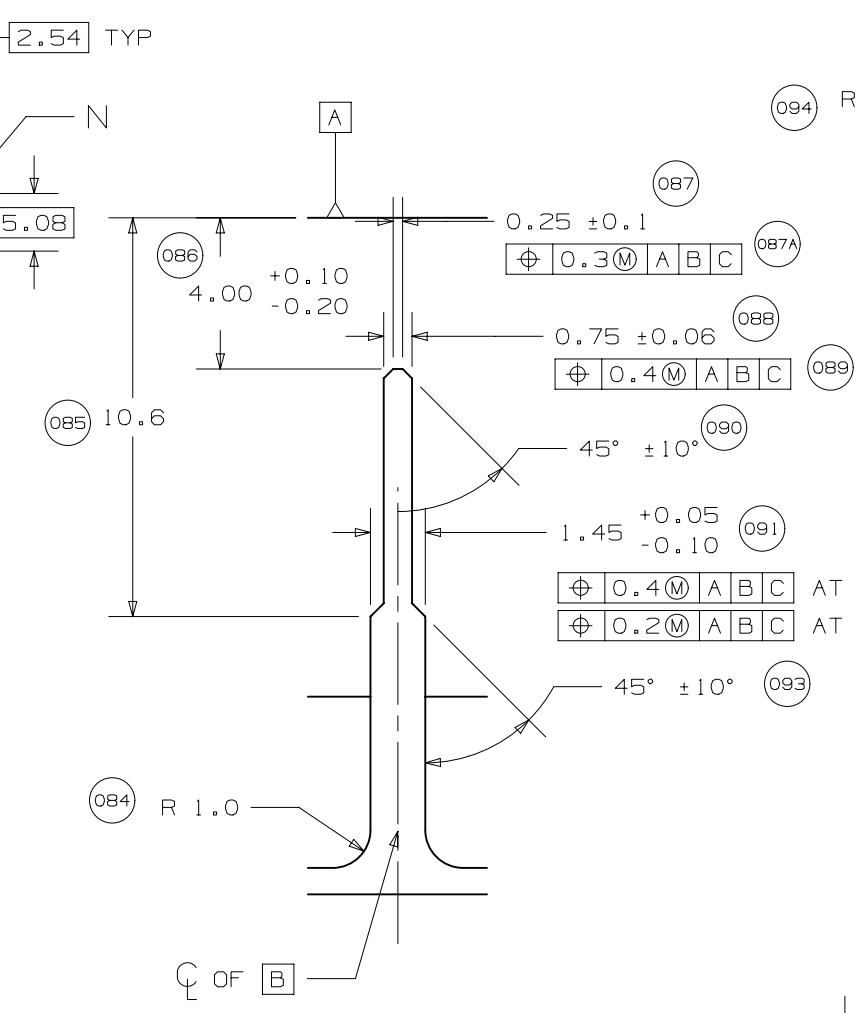
079 1.67 ±0.25  
 080  $\Phi$  0.50 (M) A B C  
 (OPTIONAL FEATURE)  
 077 SEE TABLE BELOW  
 078  $\Phi$  0.25 (M) A B C



SECTION AD-AD

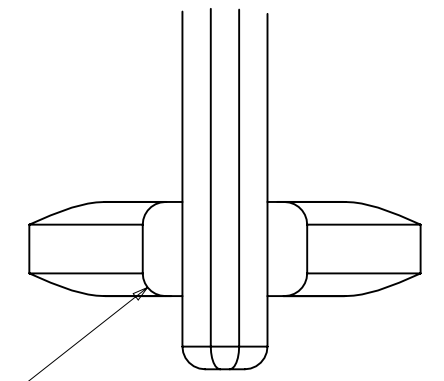
086A 10.25 ±0.5  
 (OPTIONAL FEATURE)

CKT	DIM 077
49 / 56 CKT	32.60 +0.10/-0.60
18 CKT	10.04 +0.10/-0.60



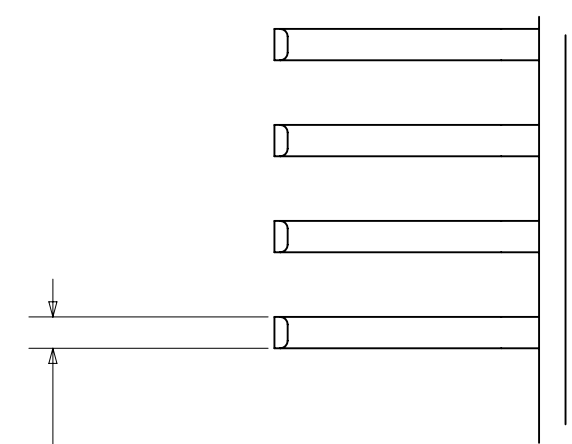
VIEW M TYPICAL

086 4.00 +0.10/-0.20  
 087 0.25 ±0.1  
 $\Phi$  0.3 (M) A B C 087A  
 0.75 ±0.06 088  
 $\Phi$  0.4 (M) A B C 089  
 10.6 085  
 45° ±10° 090  
 1.45 +0.05/-0.10 091  
 $\Phi$  0.4 (M) A B C AT TOP 092  
 $\Phi$  0.2 (M) A B C AT BOTTOM 092A  
 45° ±10° 093  
 084 R 1.0  
 CL OF B



VIEW L

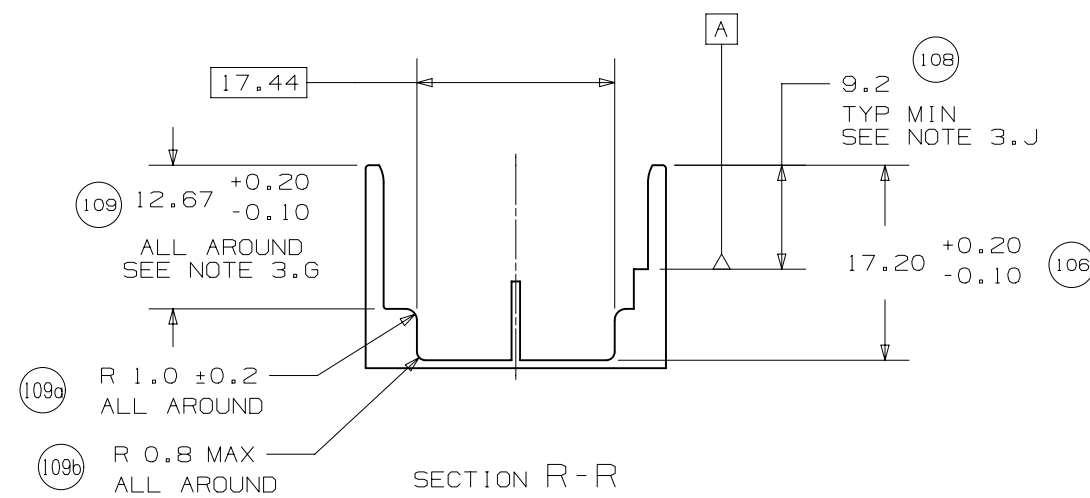
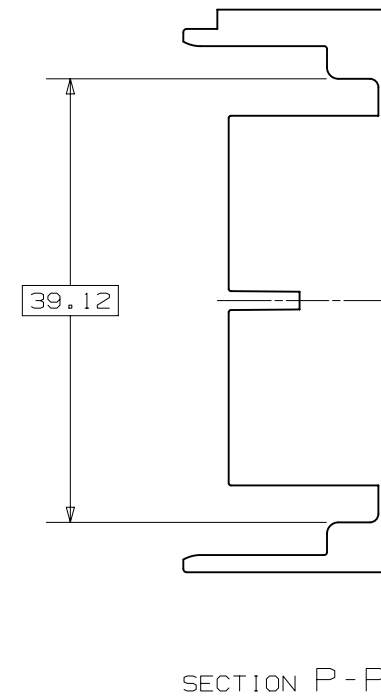
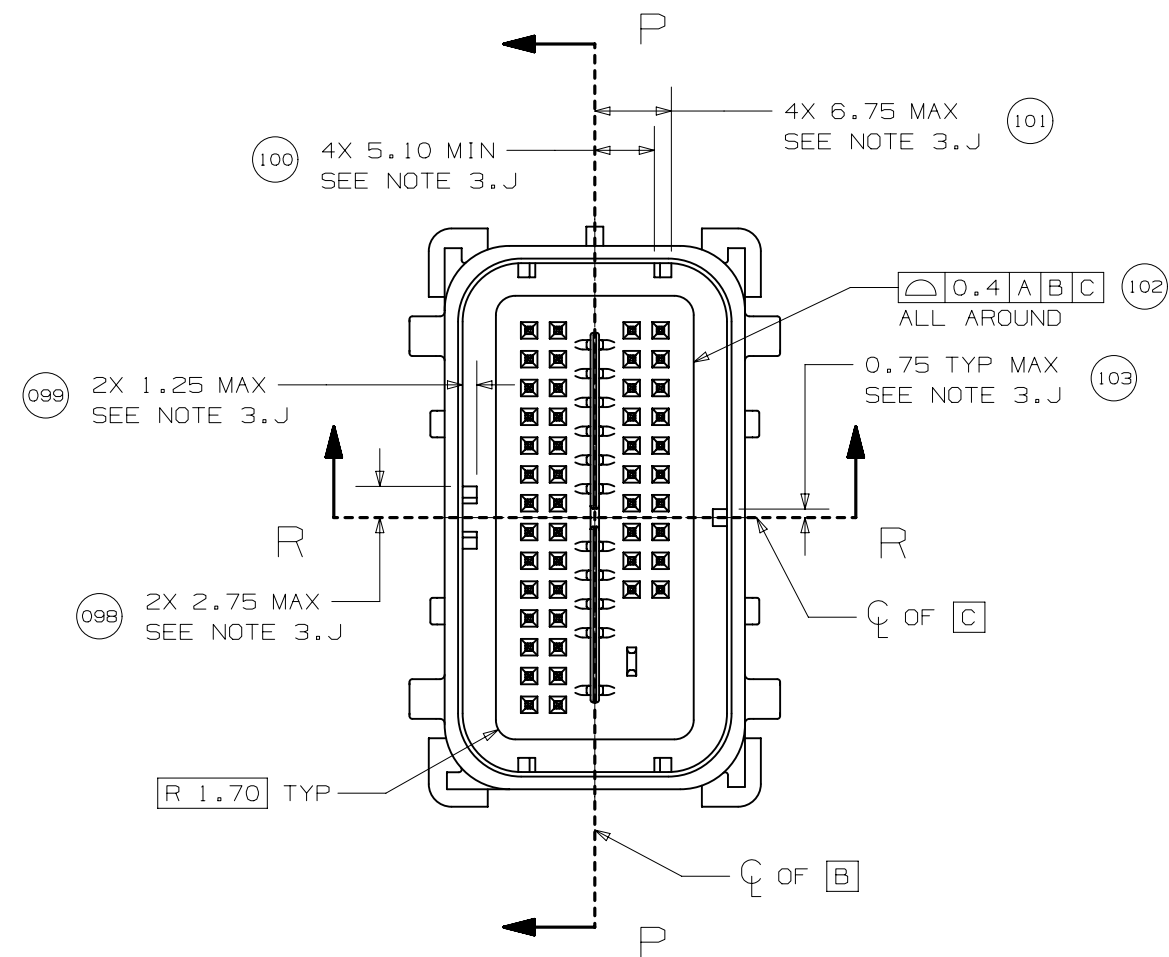
094 R 0.20 TYP



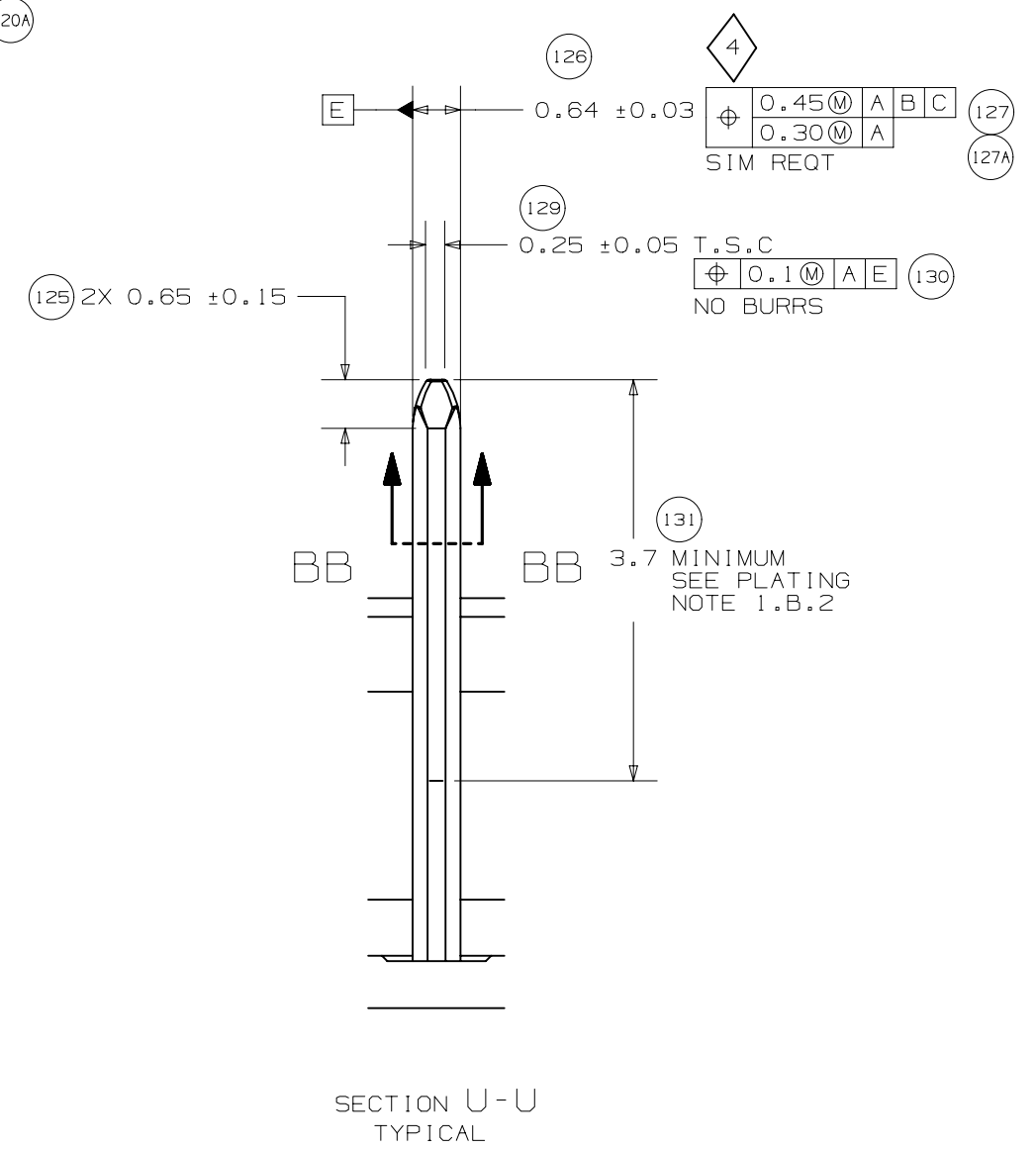
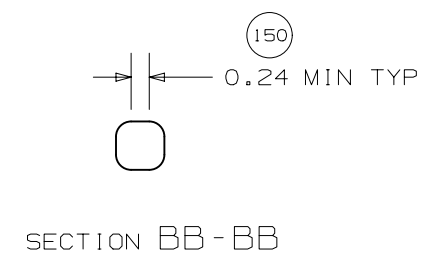
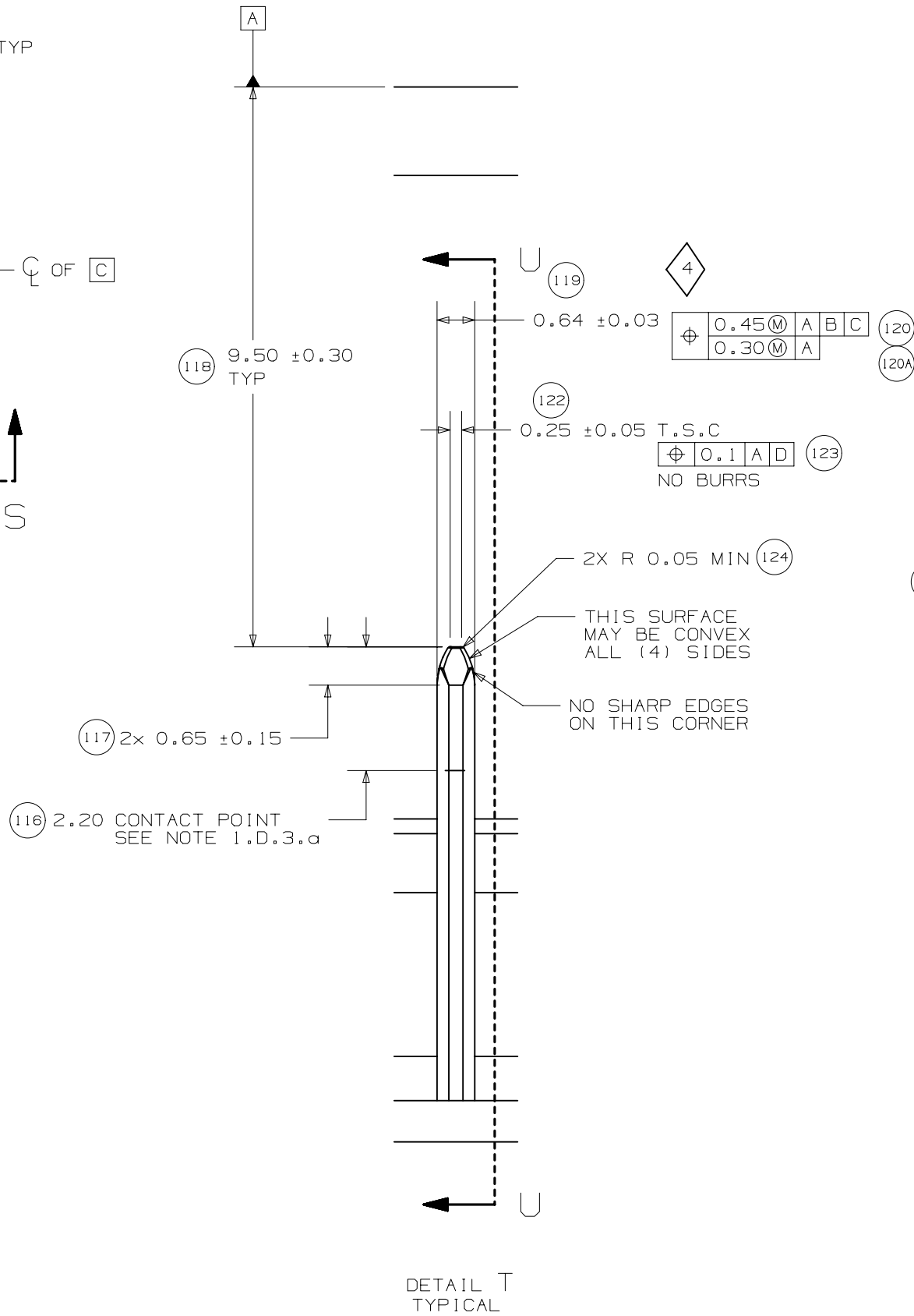
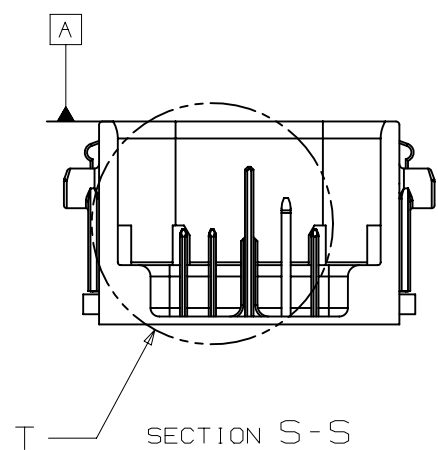
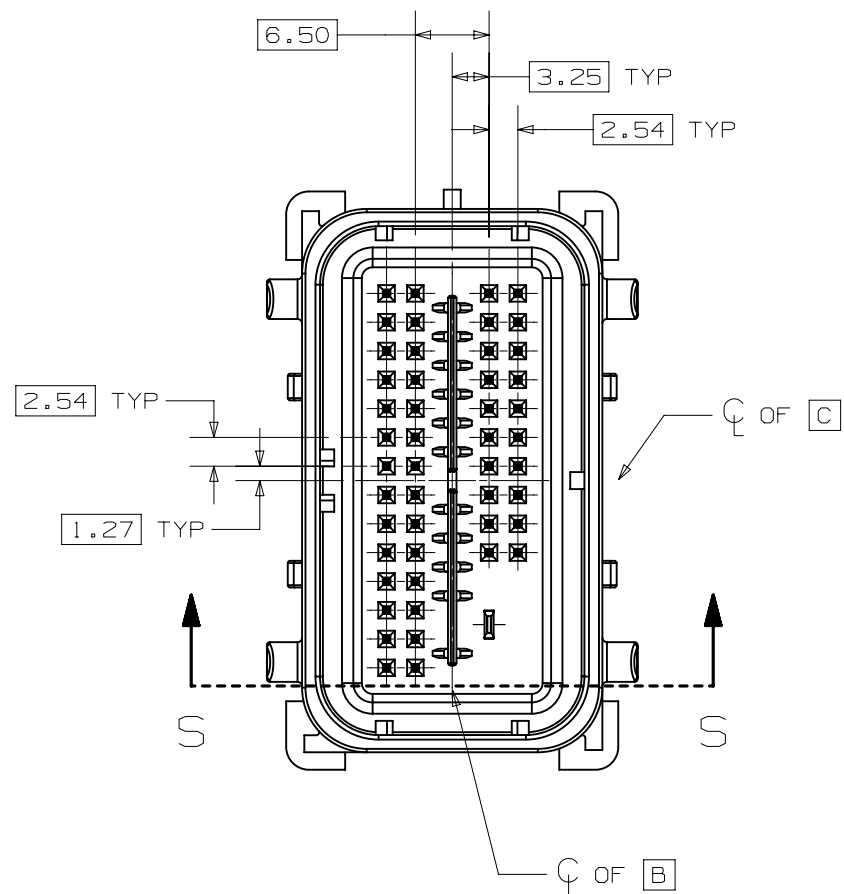
VIEW N

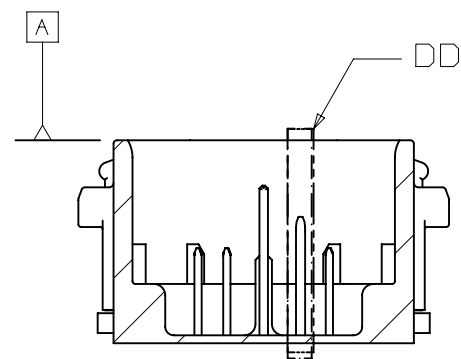
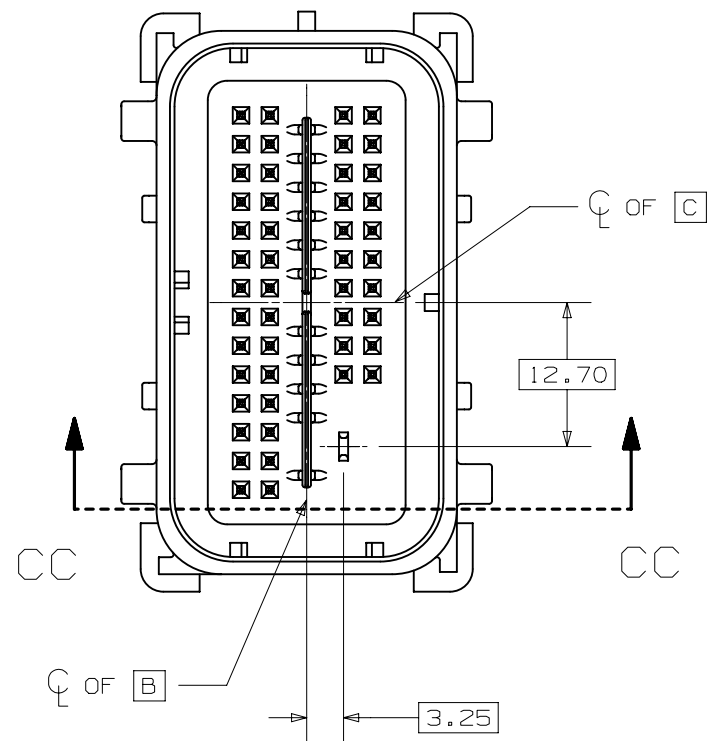
095 0.83 ±0.15 TYP  
 096  $\Phi$  0.5 (M) A B C



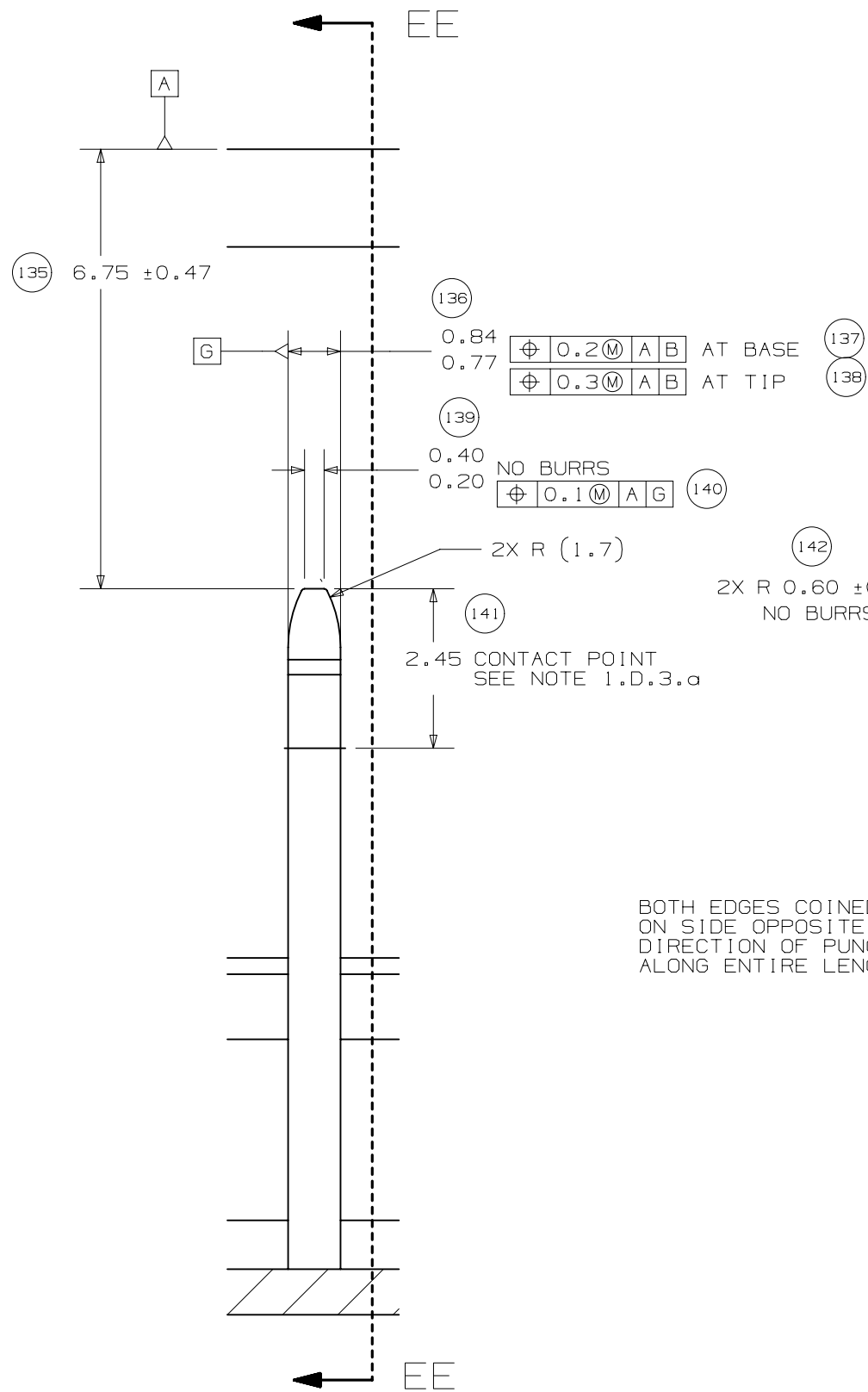




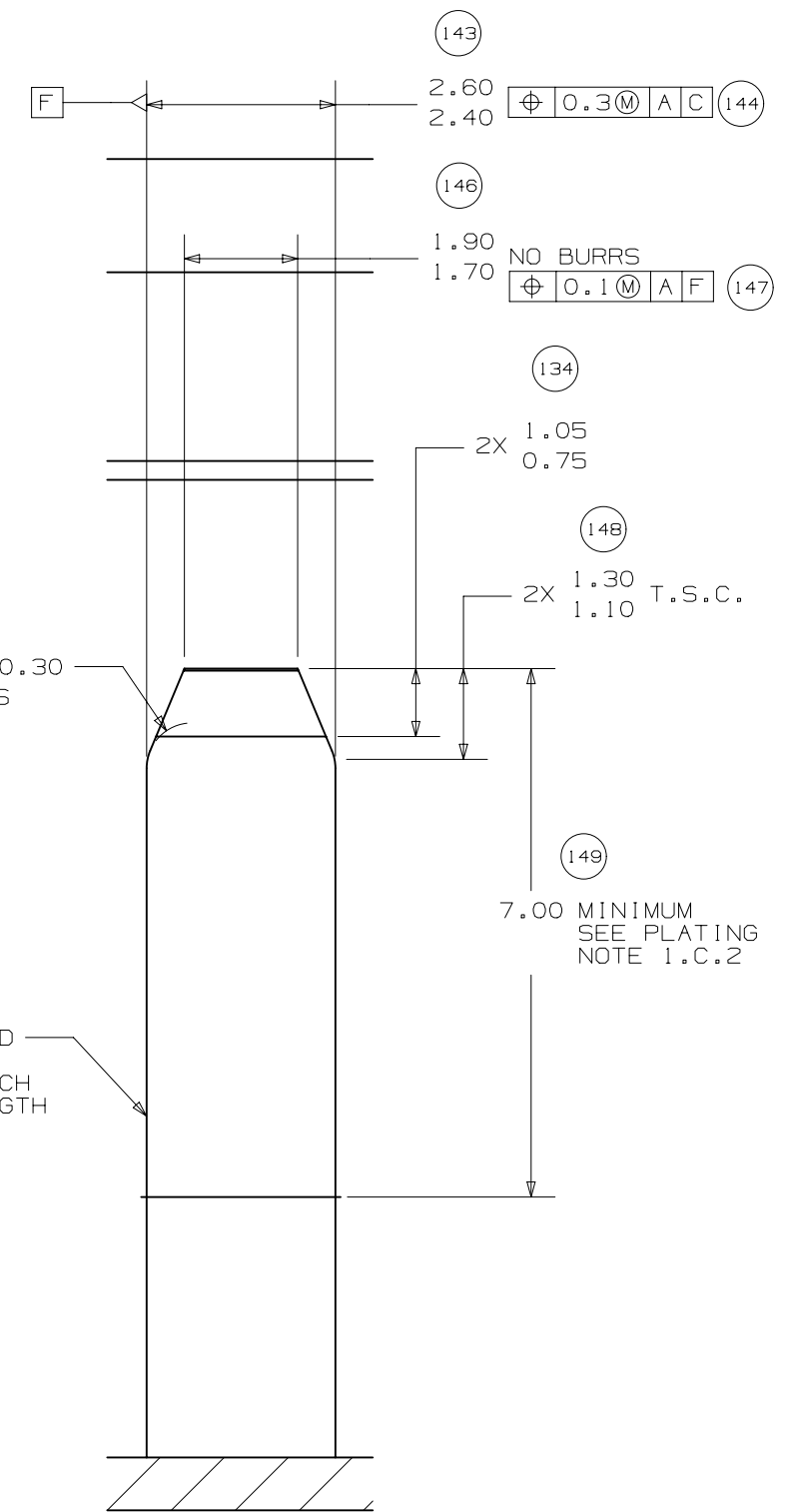




SECTION CC-CC

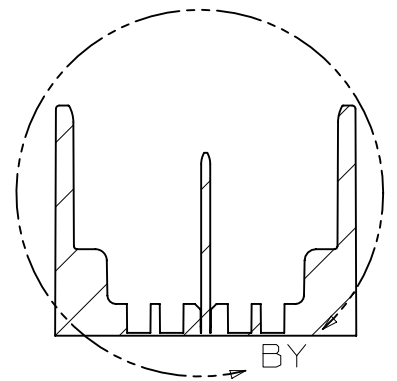
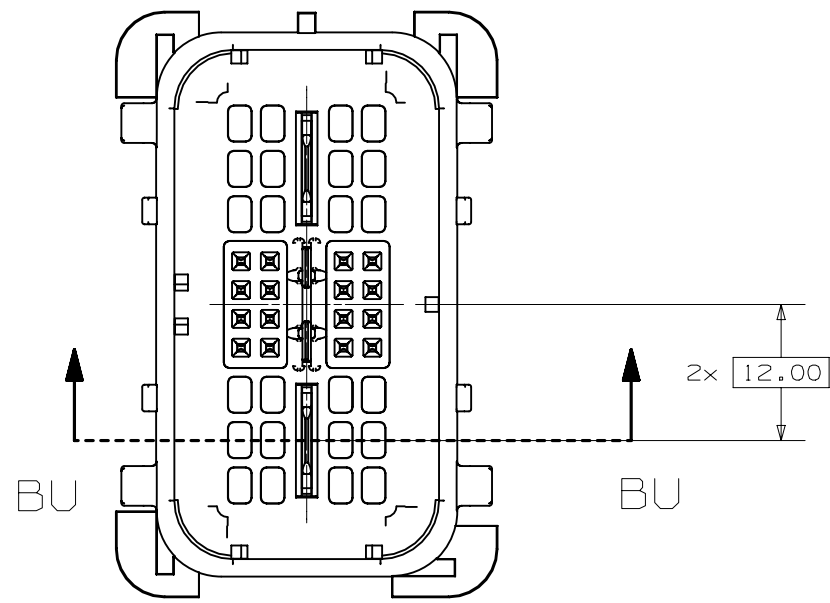


DETAIL DD  
TYPICAL

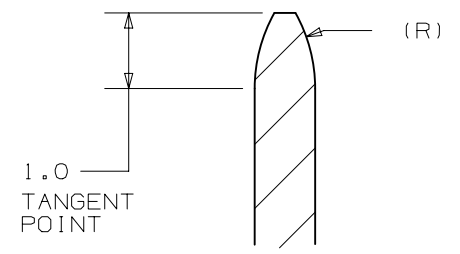


SECTION EE-EE  
TYPICAL

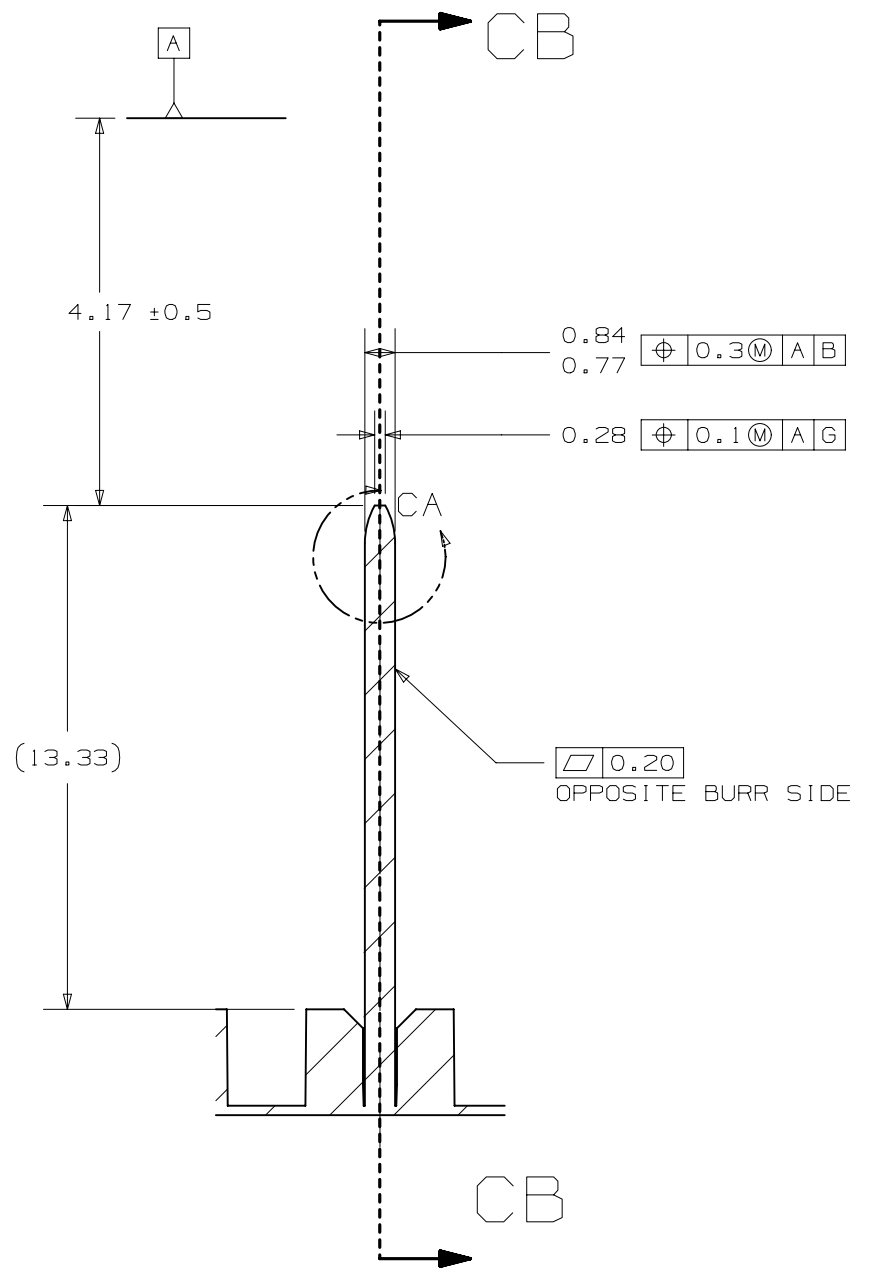




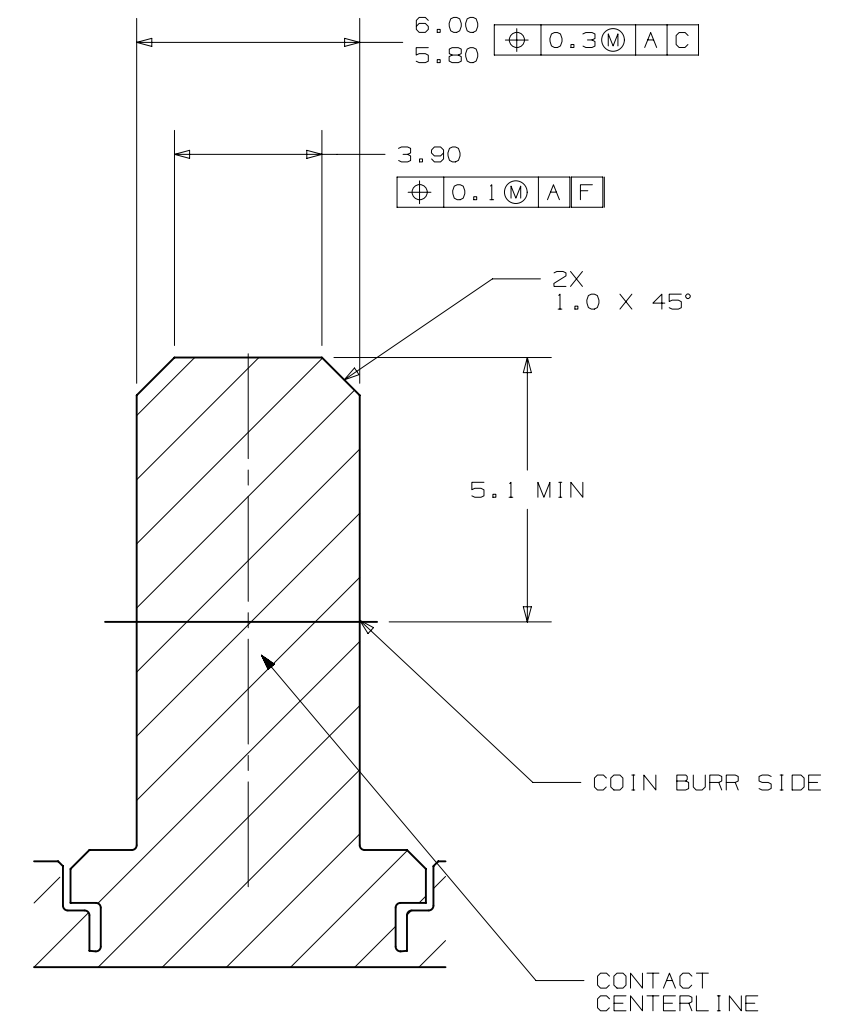
SECTION BU-BU



VIEW CA  
SCALE 10:1



VIEW BY  
SCALE 5:1



SECTION CB-CB



PAGE TITLE  
COMPONENT CONNECTOR INTERFACE

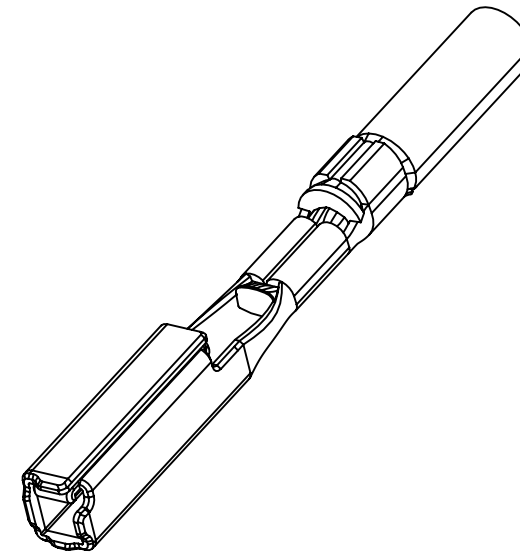
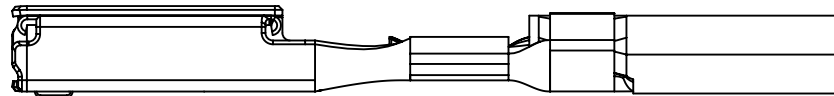
DRAWING NUMBER  
12672832

DWG STATUS		
ST	REV	PD1
R	001	

PAGE NUMBER  
22 OF 23

MOLEX MX64 RECEPTACLE TERMINAL INFORMATION

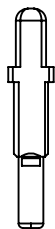
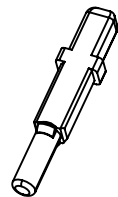
ITEM	MOLEX P/N	GM P/N	WIRE SIZE MM2	TYPE	PLATING	REEL WIND DIRECTION	COMMENTS
1	34736-0025		0.35	ISO	SILVER	LEFT	
2	34736-0026	12672850	0.35	ISO	SILVER	RIGHT	
3	34736-0027		0.5 / 0.75	ISO	SILVER	LEFT	
4	34736-0028	12672851	0.5 / 0.75	ISO	SILVER	RIGHT	



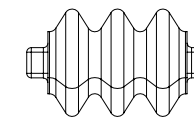
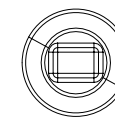
CAVITY PLUGS

ITEM	MFG	MFG P/N	GM P/N RD	SIZE	COLOR	MFG DRAWING	PROD SPEC	APP SPEC	COMMENTS
1	MOLEX	34586-0001	12674820	0.64	NATURAL	SD-34586-001	PS-34566-0000	AS-34566-001	
2	YAZAKI	7158-3114-90	12674821	2.8	BLUE	7158-3114-90	YPES-11-04-062	YPES-15-299	

ITEM 1



ITEM 2

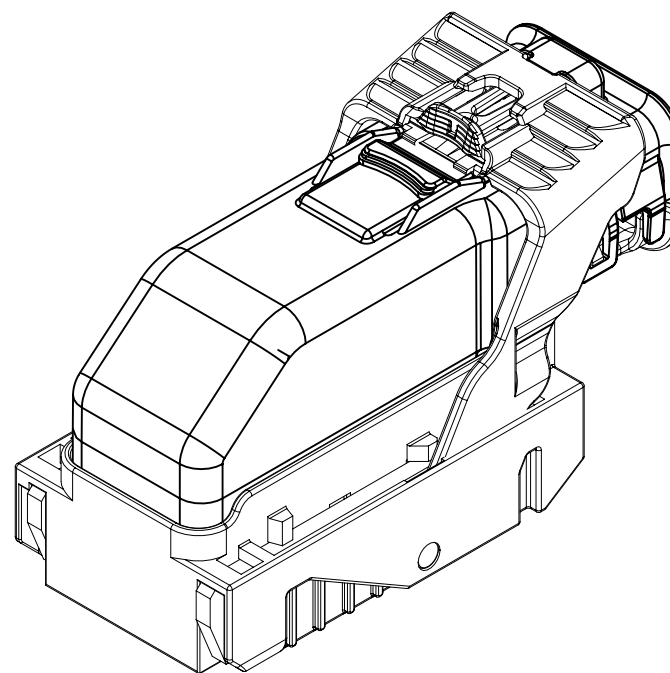


PAGE TITLE  
ADDITIONAL COMPONENTS REQUIRED


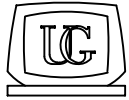
DRAWING NUMBER  
12672832

DWG STATUS			PAGE NUMBER
ST	REV	PD1	
R	001		23 of 23

INDEX	
PAGE TITLE	PAGE
TITLE BLOCK	1
REVISION BLOCK	2
PART BLOCK	3
KPC BLOCK	4
COMPONENT TABLE	5
NOTES	6
NOTES	7
WIRE DRESS PACKAGING DIMENSIONS	8
LOCATION AND PACKAGING DIMENSIONS REFERENCING INTERFACE DATUMS B & C	9
LOCATION AND PACKAGING DIMENSIONS REFERENCING INTERFACE DATUM A	10
KEY ID REF - WIRE DRESS OPTION 0	11
KEY ID REF - WIRE DRESS OPTION 9	12
CIRCUIT CONFIGURATIONS	13
CIRCUIT CONFIGURATIONS	14
COMPONENT CONNECTOR INTERFACE	15
COMPONENT CONNECTOR INTERFACE	16
COMPONENT CONNECTOR INTERFACE	17
COMPONENT CONNECTOR INTERFACE	18
COMPONENT CONNECTOR INTERFACE	19
COMPONENT CONNECTOR INTERFACE	20
COMPONENT CONNECTOR INTERFACE	21
ADDITIONAL COMPONENTS REQUIRED	22




ISO VIEW

	<p><b>UNLESS OTHERWISE SPECIFIED:</b> THIS DOCUMENT IS IN ACCORDANCE WITH ASME Y14.5M-1994 AS AMMENDED BY THE GM GLOBAL DIMENSIONING AND TOLERANCING ADDENDUM-1997. ALL GEOMETRIC TOLERANCES AND RELATED DATUMS APPLY RFS. RULE #1 (PERFECT FORM AT MMC) DOES NOT APPLY WHEN A RELATIONSHIP BETWEEN FEATURES IS ESTABLISHED BY ORIENTATION OR LOCATION TOLERANCES. SEPARATE POSITION CALLOUTS MAY BE GAGED SEPARATELY REGARDLESS OF DATUM REFERENCES.</p>			DATE
	 CHANGE RESTRICTED NO MANUAL CHANGES	REFERENCE 12H (MOLEX AUTOMOTIVE)	DRAFTER APVD1	05JN15
DO NOT SCALE		APVD2		
METRIC DIMENSIONS SHOWN IN MILLIMETERS UNLESS OTHERWISE SPECIFIED		APVD3		
	DRAWING NAME	APVD4		
	HARNESS CONN ASM-SEALED 52/66/73/80 CKTS, MX123	APVD5		
	DRAWING NUMBER	DWG STATUS		
	12672833	ST	REV	
		R	001	
		PAGE NUMBER		
		1	OF 22	

PAGE	DWG STATUS					REVISION HISTORY	AUTH	DR	CK	ENG
	DATE	ST	REV	CHG	PDI					
	05JN15	R	001			RELEASED TO PRODUCTION AT DLS A	CRMRJE	DFK		

PAGE	DWG STATUS					REVISION HISTORY	AUTH	DR	CK	ENG
	DATE	ST	REV	CHG	PDI					

	PAGE TITLE	DRAWING NUMBER	DWG STATUS			PAGE NUMBER	
	REVISION BLOCK		12672833	ST	REV	PDI	2 OF 22
				R	001		



KEY PRODUCT CHARACTERISTICS  
(IN ACCORDANCE WITH QN 1805 OR ON 1050)



SAFETY/COMPLIANCE

TOTAL ON  
DRAWING

4



FIT/FUNCTION

LAST NO.  
USED

4

NO	TYPE	DESCRIPTION	RATIONALE	PAGE/ZONE
1	F/F	32.68	IMPROVE CONNECTOR SYSTEM MATING	16
2	F/F	29.00	INSURE PROPER RELEASE OF LEVER	16
3	F/F	15.25	INSURE FINAL MATE POSITION	17
4	F/F	POSITIONAL TOLERANCE (2 PLACES)	INSURE CONNECTOR SYSTEM MATEABILITY	20



PAGE TITLE  
KPC BLOCK

DRAWING NUMBER

12672833

DWG STATUS

ST	REV	PDI
----	-----	-----

R	001	
---	-----	--

PAGE NUMBER

4 OF 22



LINE	MFG.	MFG. P/N	GM P/N	EFFECTIVE DATE	APPLICABLE COMPONENTS		KEY OPTION	WIRE DRESS OPTION	KEY CONFIG.	COLOR	STATUS
					DESCRIPTION						
-											
1	MOLEX	34565-0003	12582676	02JN03		MX123 DRESS COVER 52/66/73/80 CKT	N/A	N/A	N/A	BLACK	AVAILABLE
2	MOLEX	160094-0001	12672852	01SP13		MX123 HRNS CONN ASSY 52 CKT	A	0	1458	BLACK	AVAILABLE
3	MOLEX	160094-0003	12672854	01SP13		MX123 HRNS CONN ASSY 52 CKT	C	0	2467	BLUE	AVAILABLE
4	MOLEX	160094-0013	12672853	01SP13		MX123 HRNS CONN ASSY 52 CKT	A	9	1458	BLACK	AVAILABLE
5	MOLEX	160094-0015	12672855	01SP13		MX123 HRNS CONN ASSY 52 CKT	C	9	2467	BLUE	AVAILABLE
6	MOLEX	34822-0013	12672856	01SP13		MX123 HRNS CONN ASSY 66 CKT	A	0	1458	BLACK	AVAILABLE
7	MOLEX	34822-0033	12672858	01SP13		MX123 HRNS CONN ASSY 66 CKT	C	0	2467	BLUE	AVAILABLE
8	MOLEX	34822-0023	12672857	01SP13		MX123 HRNS CONN ASSY 66 CKT	A	9	1458	BLACK	AVAILABLE
9	MOLEX	34822-0043	12672859	01SP13		MX123 HRNS CONN ASSY 66 CKT	C	9	2467	BLUE	AVAILABLE
10	MOLEX	34566-0103	12672860	11JN04		MX123 HRNS CONN ASSY 73 CKT	A	0	1458	BLACK	AVAILABLE
11	MOLEX	34566-0203	12672862	11JN04		MX123 HRNS CONN ASSY 73 CKT	B	0	1468	ST GRAY	AVAILABLE
12	MOLEX	34566-0303	12672864	09AP08		MX123 HRNS CONN ASSY 73 CKT	C	0	2467	BLUE	AVAILABLE
13	MOLEX	34566-0603	12672866	05DC14		MX123 HRNS CONN ASSY 73 CKT	F	0	1357	NATURAL	AVAILABLE
14	MOLEX	34566-1303	12672861	11JN04		MX123 HRNS CONN ASSY 73 CKT	A	9	1458	BLACK	AVAILABLE
15	MOLEX	34566-1403	12672863	11JN04		MX123 HRNS CONN ASSY 73 CKT	B	9	1468	ST GRAY	AVAILABLE
16	MOLEX	34566-1503	12672865	09AP08		MX123 HRNS CONN ASSY 73 CKT	C	9	2467	BLUE	AVAILABLE
17	MOLEX	34566-1803	12672867	05DC14		MX123 HRNS CONN ASSY 73 CKT	F	9	1357	NATURAL	AVAILABLE
18	MOLEX	34566-0703	12672872	09AP08		MX123 HRNS CONN ASSY 80 CKT	G	0	1358	BLUE	AVAILABLE
19	MOLEX	34566-0803	12672870	11JN04		MX123 HRNS CONN ASSY 80 CKT	H	0	2458	ST GRAY	AVAILABLE
20	MOLEX	34566-0903	12672868	T.B.D		MX123 HRNS CONN ASSY 80 CKT	J	0	2457	BLACK	NOT ACTIVE
21	MOLEX	34566-1903	12672873	09AP08		MX123 HRNS CONN ASSY 80 CKT	G	9	1358	BLUE	AVAILABLE
22	MOLEX	34566-2003	12672871	11JN04		MX123 HRNS CONN ASSY 80 CKT	H	9	2458	ST GRAY	AVAILABLE
23	MOLEX	34566-2103	12672869	T.B.D		MX123 HRNS CONN ASSY 80 CKT	J	9	2457	BLACK	NOT ACTIVE
24	MOLEX	34736-0028	12672851	01AU10		MX64 RCPT TERM Ag 0.5mm/0.75mm ISO GAGE B (RIGHT PAYOFF)	N/A	N/A	N/A	N/A	AVAILABLE
25	MOLEX	34736-0026	12672850	01AU10		MX64 RCPT TERM Ag 0.35mm ISO GAGE B (RIGHT PAYOFF)	N/A	N/A	N/A	N/A	AVAILABLE
26	MOLEX	34586-0001	12674820	11JN04		MX123 0.64mm GROMMET PLUG	N/A	N/A	N/A	NATURAL	AVAILABLE
27	YAZAKI	7116-4150-02	12588066	02JN03		2.8mm YESC SEALED FEMALE TERMINAL TIN 0.35mm2-0.50mm2	N/A	N/A	N/A	N/A	NOT ACTIVE
28	YAZAKI	7116-4151-02	12588067	02JN03		2.8mm YESC SEALED FEMALE TERMINAL TIN 0.75mm2-1.0mm2	N/A	N/A	N/A	N/A	NOT ACTIVE
29	YAZAKI	7116-4152-02	12582685	02JN03		2.8mm YESC SEALED FEMALE TERMINAL TIN 1.5mm2-2.5mm2	N/A	N/A	N/A	N/A	AVAILABLE
30	YAZAKI	7158-3111-60	12588068	02JN03		2.8mm CABLE SEAL (wire O.D. range 1.2mm-1.9mm)	N/A	N/A	N/A	GREEN	NOT ACTIVE
31	YAZAKI	7158-3112-70	12588069	02JN03		2.8mm CABLE SEAL (wire O.D. range 1.8mm-2.3mm)	N/A	N/A	N/A	YELLOW	NOT ACTIVE
32	YAZAKI	7158-3113-40	12582686	02JN03		2.8mm CABLE SEAL (wire O.D. range 2.1mm-3.0mm)	N/A	N/A	N/A	WHITE	AVAILABLE
33	YAZAKI	7158-3114-90	12674821	02JN03		2.8mm YESC CAVITY PLUG	N/A	N/A	N/A	BLUE	AVAILABLE
34	MOLEX	63825-8400	N/A	02JN03		MX64 TERM HAND CRIMP TOOL	N/A	N/A	N/A	N/A	AVAILABLE
35	MOLEX	63813-1400	XX019826	02JN03		MX64 TERM SERVICE TOOL	N/A	N/A	N/A	N/A	AVAILABLE
36	MOLEX	63902-5300	N/A	02JN03		MX64 CRIMP APPLICATOR with TOOL KIT 0.5/0.75mm2 PAYOFF DIRECTION D (left payoff) (contact Molex for payoff detail)	N/A	N/A	N/A	N/A	AVAILABLE
37	MOLEX	63902-5370	N/A	02JN03		MX64 APPLICATOR TOOL KIT 0.5/0.75mm2	N/A	N/A	N/A	N/A	AVAILABLE
38	MOLEX	63902-5100	N/A	02JN03		MX64 CRIMP APPLICATOR with TOOL KIT 0.35mm2 PAYOFF DIRECTION D (left payoff) (contact Molex for payoff detail)	N/A	N/A	N/A	N/A	AVAILABLE
39	MOLEX	63902-5170	N/A	02JN03		MX64 APPLICATOR TOOL KIT 0.35mm2	N/A	N/A	N/A	N/A	AVAILABLE
40	SPX	J35616-64	T.B.D.	02JN03		0.64mm PROBE TOOL (for rcpt)	N/A	N/A	N/A	N/A	AVAILABLE
41	SPX	J35616-64A	T.B.D.	02JN03		0.64mm PROBE TOOL WITH EXT (for rcpt)	N/A	N/A	N/A	N/A	AVAILABLE
42	SPX	J35616-65	T.B.D.	02JN03		0.64mm PROBE TOOL WITH EXT (for pin)	N/A	N/A	N/A	N/A	AVAILABLE
43	SPX	J35616-4A	T.B.D.	02JN03		2.8mm PROBE TOOL (for rcpt)	N/A	N/A	N/A	N/A	AVAILABLE
44	YAZAKI	X39899-J374	12094430	02JN03		2.8mm TERM SERVICE TOOL	N/A	N/A	N/A	N/A	AVAILABLE
45	TQI	7000-1006	N/A	15JN15		52 CKT PASS THROUGH ADAPTERS	N/A	N/A	N/A	BLACK	AVAILABLE
46	TQI	7000-1002	N/A	15JN15		66 CKT PASS THROUGH ADAPTERS	N/A	N/A	N/A	BLACK	AVAILABLE
47	TQI	79917-0061	N/A	15JN15		73 CKT PASS THROUGH ADAPTERS	N/A	N/A	N/A	BLACK	AVAILABLE
48	TQI	79917-0066	N/A	15JN15		80 CKT PASS THROUGH ADAPTERS	N/A	N/A	N/A	BLACK	AVAILABLE

\* - MX123 DRESS COVER 52/66/73/80 CKT MATES TO ANY MX123 HARN CONN ASSY SHOWN ON TABLE ABOVE



PAGE TITLE  
COMPONENT TABLE

DRAWING NUMBER

12672833

DWG STATUS

ST REV PDI

R 001

PAGE NUMBER

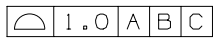
5 OF 22

NOTES: UNLESS OTHERWISE SPECIFIED

1. MATERIAL FOR INTERFACE:


- A. RESIN:
  - 1. 30% G.F. PBT; 20% MAX. (BY WEIGHT) REGRIND.
  - 2. MATING CONNECTOR INTERFACE PART COLOR MUST BE SAME AS MATCHING KEYED HARNESS CONNECTOR ASSEMBLY.
  - 3. MUST BE VALIDATED FOR INDIVIDUAL DEVICE APPLICATION REQUIREMENTS.
- B. 0.64MM PINS:
  - 1. BASE MATERIAL: COPPER ALLOY; CONDUCTIVITY >= 28% IACS AT 20°C; TENSILE STRENGTH >= 635 N/mm<sup>2</sup>; SURFACE ROUGHNESS R<sub>a</sub> 6 MAX.
  - 2. PLATING FINISH: SILVER (Ag). PLATING TO BE 1.9-3.3 μm ELECTRODEPOSITED SEMI-BRIGHT SILVER OVER 1.25-2.25 μm DUCTILE SULPHAMATE NICKEL PER NOTE 1(D).
  - 3. ANTI-TARNISH: SYNTHETIC HYDROCARBON CONTACT SURFACE FINISH OR EQUIVALENT APPLIED WITHOUT VOID TO CONTACT AREA (MIN 3.7mm FROM PIN TIP).
- C. 2.8MM BLADE:
  - 1. BASE MATERIAL: COPPER ALLOY; CONDUCTIVITY >= 28% IACS AT 20°C; TENSILE STRENGTH >= 350 N/mm<sup>2</sup>; SURFACE ROUGHNESS R<sub>a</sub> 6 MAX.
  - 2. PLATING FINISH: TIN. PLATING TO BE 2.5-5.0 μm ELECTRODEPOSITED TIN, MATTE FINISH OVER 1.25-2.5 μm DUCTILE SULPHAMATE NICKEL PER NOTE 1(D).
- D. PLATING REQUIREMENTS:
  - 1. SILVER PLATING
    - a. 99.5% PURE SEMI-BRIGHT WITH NO ORGANIC BRIGHTNERS OR CHROMATES.
  - 2. NICKEL PLATING
    - a. ELECTRODEPOSITED DUCTILE SULFAMATE NICKEL WITH A NON-BRIGHTENED FINISH. NO ORGANIC OR BRIGHTENING AGENTS SHALL BE ALLOWED.
    - b. SHALL ONLY BE USED AS AN UNDERLYING PLATING AND MAY NOT BE USED AS AN ELECTRICAL CONTACT SURFACE PLATING.
    - c. SHALL BE NODULE FREE WHEN VIEWED AT 10X MAGNIFICATION IN MEASURED IN CONTACT SURFACE AREA PLUS 0.5MM PERIMETER AROUND THE CONTACT SURFACE AREA.
    - d. ALL PLATINGS SHALL HAVE A 1.0% MAXIMUM BY WEIGHT IMPURITIES. IMPURITIES ARE DEFINED AS ALL ELEMENTS NOT THE PRIMARY PLATING OR HARDENING AGENT IF APPLICABLE, AS DETERMINED BY WET CHEMICAL ANALYSIS OR AUGER METHOD. NO SINGLE IMPURITY SHALL EXCEED 0.1% MAXIMUM BY WEIGHT.
  - 3. TESTING
    - a. THICKNESS TO BE MEASURED IN CONTACT SURFACE AREA PLUS 0.5MM PERIMETER AROUND THE CONTACT SURFACE AREA AS DESIGNATED IN THE DRAWING. THICKNESS SHALL BE DETERMINED BY METHOD OF X-RAY (XRF).
    - b. PLATING ADHESION SHALL BE TESTED BY A BEND TEST FOR ALL METALS. THE TEST SAMPLE SHALL BE BENT 90 DEGREES TO DETERMINE DEPOSIT ADHESION. TESTING SHALL BE COMPLETED IN ACCORDANCE WITH ASTM SPEC B571.

2. DESIGN - GENERAL:

- A. THIS IS A 100% CAD GENERATED PART. THE CAD MATHEMATICAL DATA IS THE MASTER FOR THIS PART. FOR DIMENSIONAL OR ANY INFORMATION NOT SHOWN ON THIS DRAWING, ANALYZE THE CAD MODEL.
- B. TOLERANCES:
  - 1. LINEAR
    - 0.X ± 0.30
    - 0.XX ± 0.10
    - 0.XXX ± 0.10
  - 2. ANGULAR X° ± 3°
  - 3. 
- C. MINIMUM WALL THICKNESS REQUIRED: 1.3mm.
- D. CORNERS SHOWN AS SHARP TO BE R 0.2 MAX.
- E. LETTERING SHALL BE 0.15 MAX RAISED IN 0.20 MAX RECESS PAD. THIS INCLUDES MATERIAL CODE, RECYCLING CODE, CAVITY ID AND DATE CODE.
- F-1. PARTS MUST BE FREE OF DISCOLORATION, SALT RESIDUE AND OTHER IMPERFECTIONS THAT AFFECT FIT OR FUNCTION.
- F-2. SCRATCHES OR DENTS NOT TO EXCEED 0.013mm IN DEPTH.
- G. FOLLOWING PRODUCTION CODES TO BE PERMANENTLY MARKED & HUMAN READABLE TO A LETTER HEIGHT OF 1.5 ± 0.5MM X 0.3 MAX DEEP
  - 1. MATERIAL #: XXXXX-XXXX
  - 2. DATE CODE: JJJY (JULIAN DAY, LAST DIGIT OF YEAR)
  - 3. INSPECTION MACHINE CODE + SERIAL #: X\_XXXXX

3. DESIGN - MANUFACTURING:

- A. DRAFT TO BE WITHIN TOLERANCE.
- B. ALLOWABLE FLASH MAX 0.2 HIGH X MAX 0.13 THICK.
- C. ALLOWABLE PARTING LINE MISMATCH 0.2 MAX.
- D. EJECTOR PINS MARK TO BE FLUSH TO 0.25 MAX DEPRESSED.
- E. ALLOWABLE GATE VESTIGE FLUSH TO 0.25 MAX PROTRUSION.
- F. NO EXTERNAL MOLD RELEASE AGENT ALLOWED DURING MANUFACTURING.
- G. STEEL THAT FORMS THE INDICATED SURFACE MUST BE POLISHED WITH A DIAMOND FINISH (SPI A-2) OVER THE FULL PERIPHERY OF THE TOOL. SURFACE MUST HAVE NO MISMATCH.
- H. ANY PROCESS LUBRICANT REMAINING ON THE TERMINAL MUST NOT VARNISH OR DEGRADE IT'S ELECTRICAL PERFORMANCE UP TO A MAXIMUM CLASS AMBIENT TEMPERATURE PER SAE USCAR-2 FOR 1008 HOURS. PROCESS LUBRICANTS SHOULD BE APPROVED BY THE RESPONSIBLE ENGINEER.
- J. OPTIONAL FEATURES PROVIDED FOR AUTOMATION.
- K. PART MUST BE FREE FROM BURRS AND SHARP EDGES, WHICH MIGHT BE DETRIMENTAL TO SATISFACTORY ASSEMBLY, SAFE HANDLING OR FUNCTION OF PART.
- L. PARTS AS DELIVERED TO ASSEMBLY SHALL BE CLEAN AND FREE OF DEBRIS, RESIDUAL ABRASIVE MATERIAL AND CORROSION PRODUCTS ADVERESLY AFFECTING FUNCTION OR APPEARANCE.
- M. RESTRICTED AND REPORTABLE SUBSTANCES FOR PARTS PER GMW3059.

	PAGE TITLE	DRAWING NUMBER	DWG STATUS			PAGE NUMBER	
	NOTES		12672833	ST	REV	PDI	6 OF 22
				R	001		

NOTES: UNLESS OTHERWISE SPECIFIED

4. SYSTEM REQUIREMENTS:

- A. HARNESS CONNECTOR IS COMPATIBLE WITH THE FOLLOWING ISO WIRE SIZE NO'S:  
 0.35mm<sup>2</sup>, MEETING GMW15626 - MIN OD OF 1.30MM  
 0.50mm<sup>2</sup>, MEETING GMW15626  
 0.75mm<sup>2</sup>, MEETING GMW15626 - MAX OD OF 2.06MM

B. CABLE TIE SPECIFICATIONS:

1. CABLE TIE:
  - TENSILE RATING: 220N / (50lbs) MIN
  - TIE LENGTH: 186mm MIN
  - TIE WIDTH: 4.75mm MAX
  - MATERIAL: NYLON
2. INSTALLATION:
  - CABLE TIE TENSION: 190N MIN
3. DRESSED WIRE BUNDLE PACKAGING: SEE FIG. 1

C. WHEN MATED WITH COMPONENT CONNECTOR INTERFACE AND/OR DRESS COVER, HARNESS CONNECTOR SYSTEM CONFORMS TO THE FOLLOWING:

1. SAE/USCAR-2, REV: 3 APRIL, 2001; CLASS 3
2. FIELD CORRELATED LIFE TEST, SAE/USCAR-20, NOV. 2001
3. GMW #3191 AUGUST 22, 2000 (DRAFT); TEMPERATURE CLASS 3, SEALING CLASS 1, VIBRATION CLASS 2
4. RESTRICTED AND REPORTABLE CHEMICALS PER GMW #3059, REV: D AUGUST 2002
5. TPA USER FORCES (FULLY POPULATED WITH TERMINALS)
  - a. REMOVAL FROM LOCK TO PRE-SET: <=120N

D. WIRE SPECIFICATIONS:

1. WIRE SURFACE MUST BE FREE OF SCRATCHES, GROOVES OR DENTS WHERE FUNCTIONAL

5. TERMINAL CURRENT RATINGS:

A. MX64 RCPT TERM

ALL TESTING DONE IN ACCORDANCE WITH USCAR-2 REV5 SECTION 5.3

1. MX64 RCPT TERM Ag 0.50/0.75mm<sup>2</sup> CRIMPED TO 0.75mm<sup>2</sup> ISO WIRE AND MATED TO MX123 0.64MM PIN: SEE TABLE BELOW
2. MX64 RCPT TERM Ag 0.35mm<sup>2</sup> CRIMPED TO 0.35mm<sup>2</sup> ISO WIRE AND MATED TO MX123 0.64MM PIN: SEE TABLE BELOW

WIRE	CURRENT RATING			
	23°C	85°C	105°C	125°C
0.75mm <sup>2</sup>	11.3A	11.3A	9.5A	6.6A
0.50mm <sup>2</sup>	10.0A	10.0A	8.3A	5.7A
0.35mm <sup>2</sup>	8.5A	8.5A	7.1A	5.0A

B. 2.8MM RCPT TERM

ALL TESTING DONE IN ACCORDANCE WITH MOLEX DVP&R 0279 (TR # 7125)

1. 2.8MM RCPT TERM TIN 2.0mm<sup>2</sup> CRIMPED TO 2.0mm<sup>2</sup> ISO WIRE AND MATED TO MX123 2.8MM BLADE: 25.6 AMPS AT 125°C

6. CONTACT MOLEX AUTOMOTIVE FOR AVAILABLE CUSTOM PATTERNS OF CAVITIES OPEN FOR CIRCUITS - SEE GM DRAWING 13507496



PAGE TITLE  
NOTES

DRAWING NUMBER

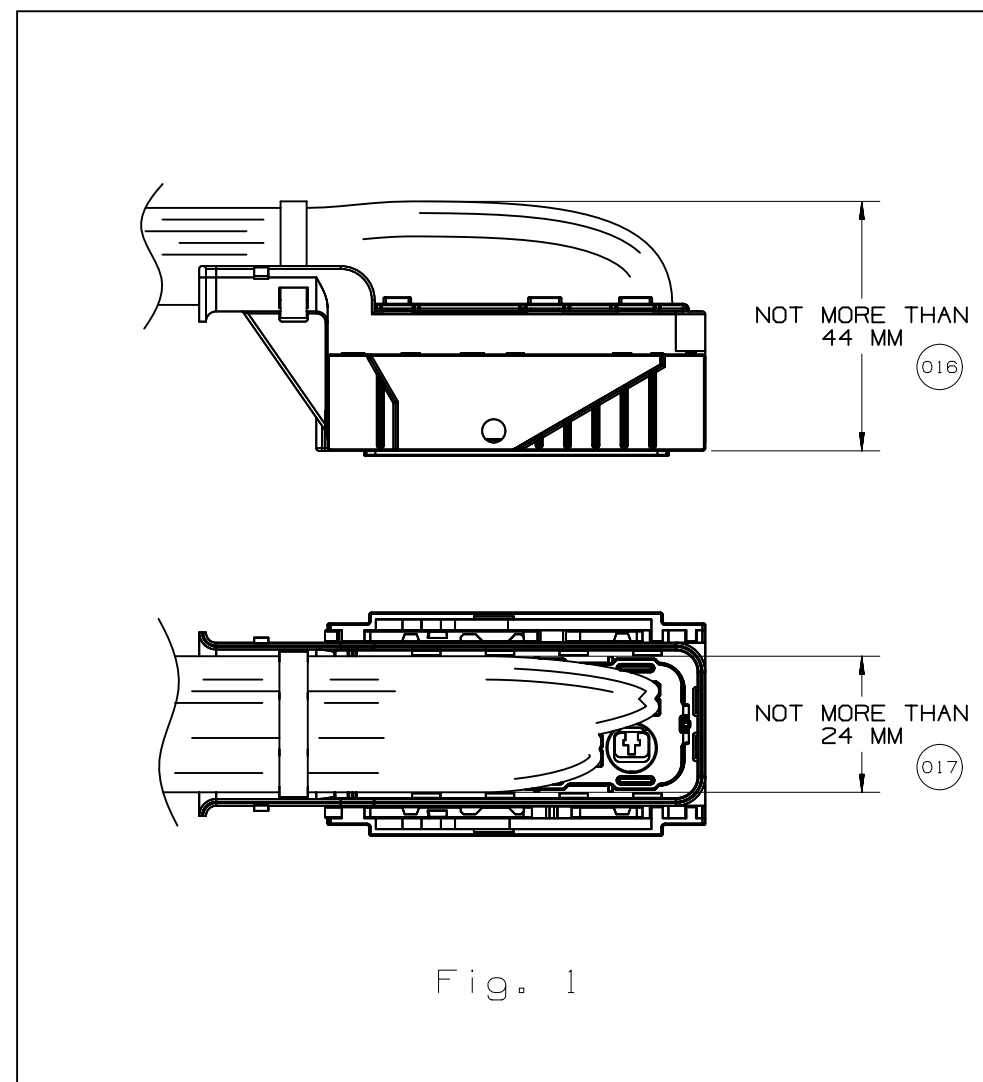
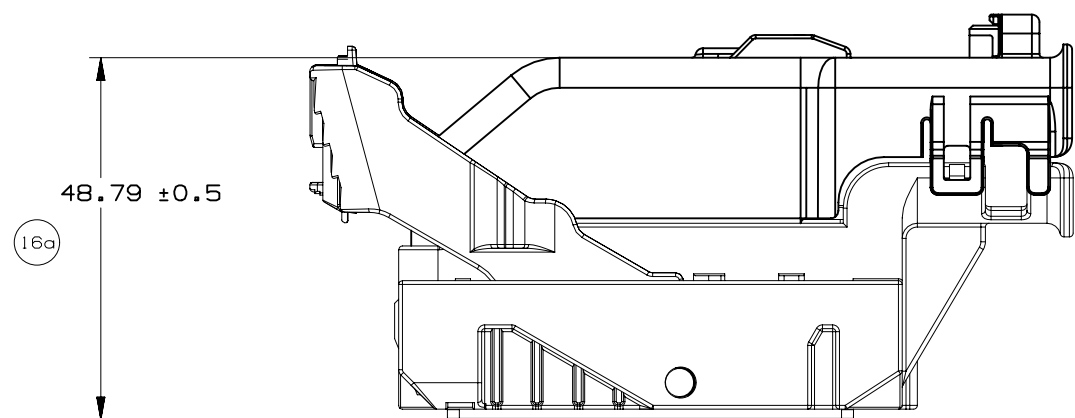
12672833

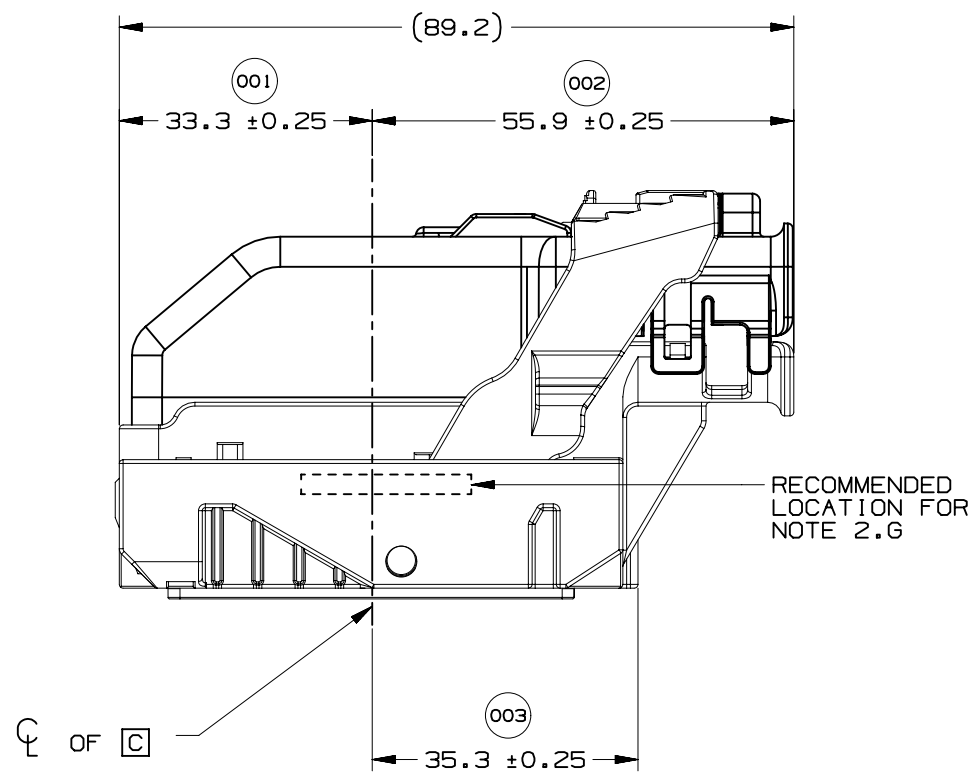
DWG STATUS

ST	REV	PDI
R	001	

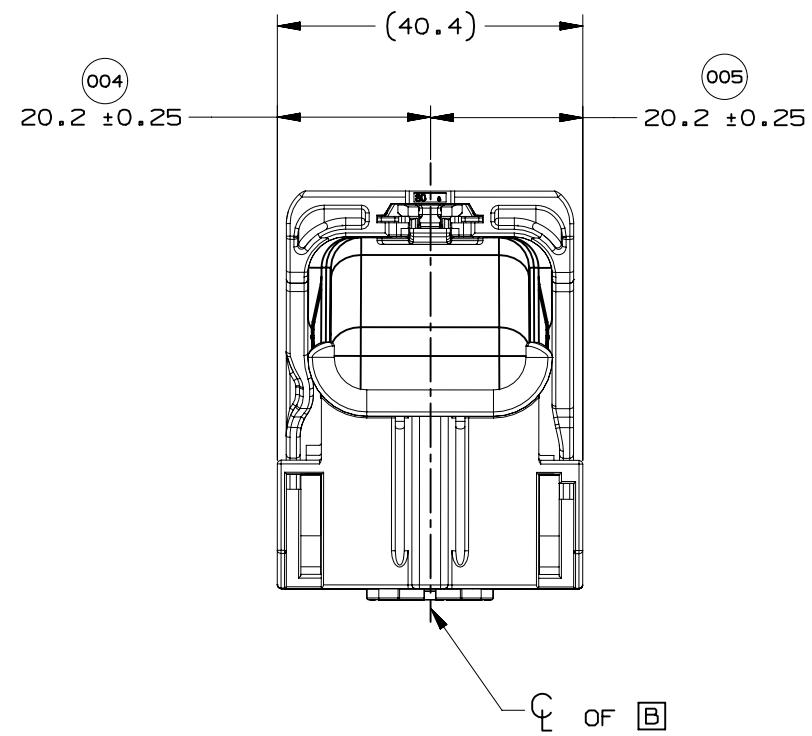
PAGE NUMBER

7 OF 22

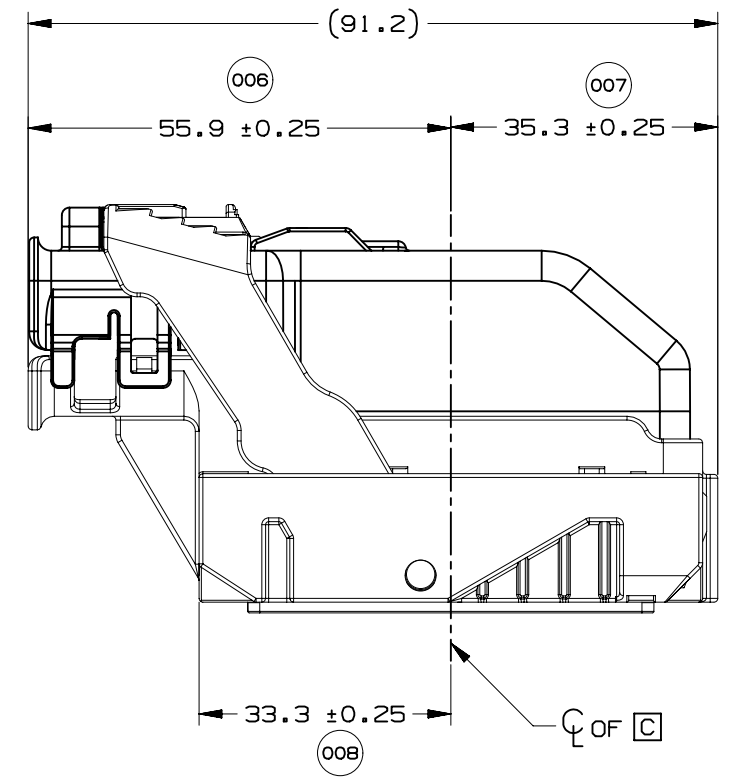




WIRE DRESS OPTION 0 SHOWN

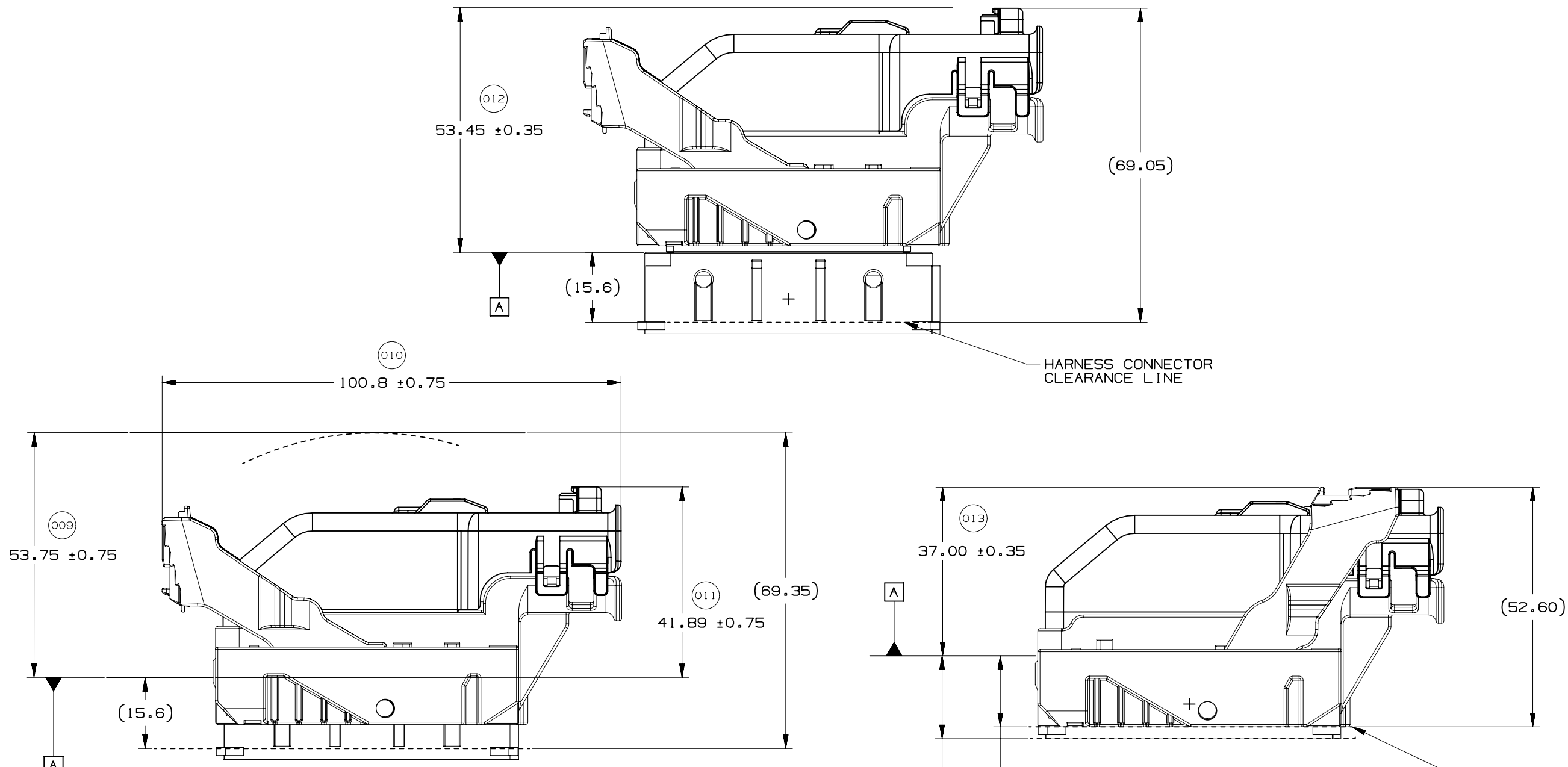


WIRE DRESS OPTION 0 SHOWN



WIRE DRESS OPTION 9 SHOWN





HARNESS CONNECTOR CLEARANCE LINE

HARNESS CONNECTOR ASSEMBLY IN FULLY-MATED POSITION

HARNESS CONNECTOR CLEARANCE LINE

15.6 MIN. ALL AROUND CLEARANCE REQUIRED FOR HARNESS CONNECTOR (014)

17.9 MIN. AT PAD LOCATION CLEARANCE REQUIRED FOR HARNESS CONNECTOR CONSTRUCTION BELOW THIS PLANE IS NOT CONTROLLED (015)

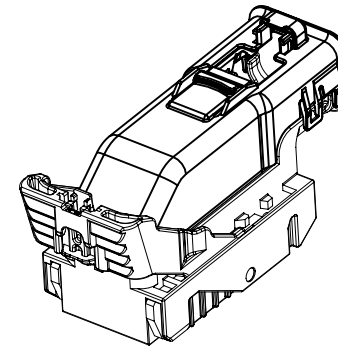
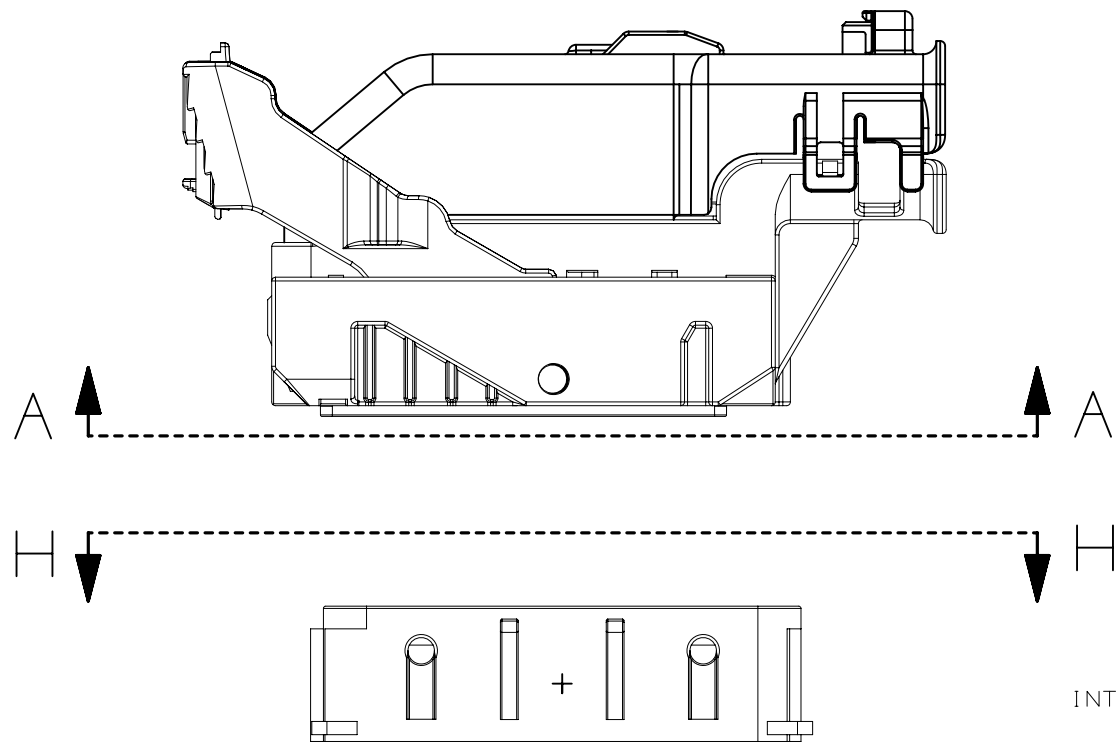


PAGE TITLE  
LOCATION AND PACKAGING DIMENSIONS  
REFERENCING INTERFACE DATUM A

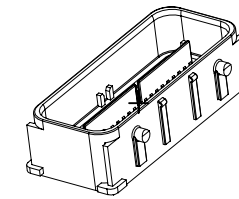
DRAWING NUMBER  
12672833

DWG STATUS		
ST	REV	PD1
R	001	

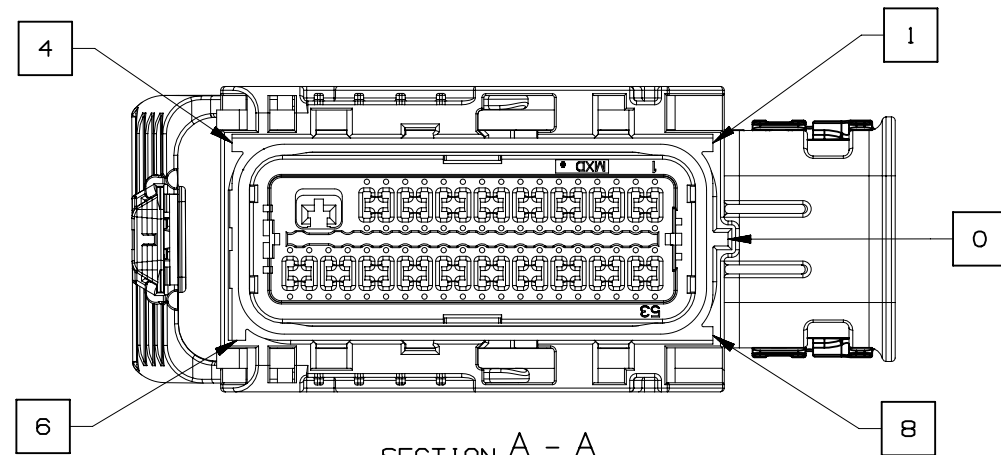
PAGE NUMBER  
10 OF 22



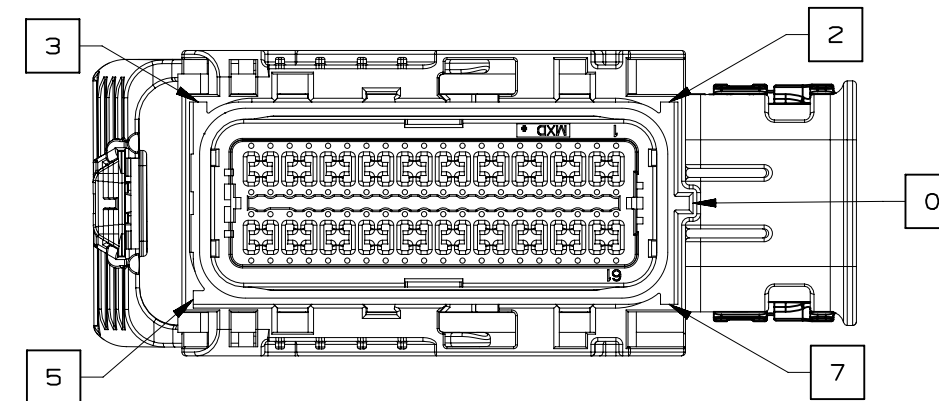
NOTE: REFERENCE THE COMPONENT TABLE FOR KEY OPTIONS AND CONFIGURATIONS



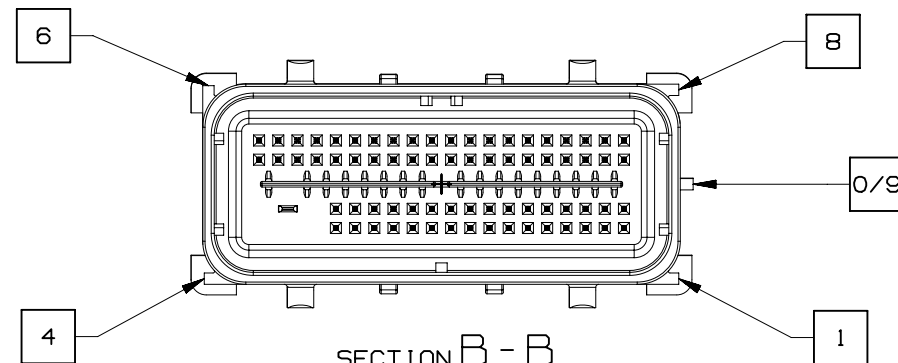
INTERFACE SIDE SHOWN ON ALL SECTION VIEWS



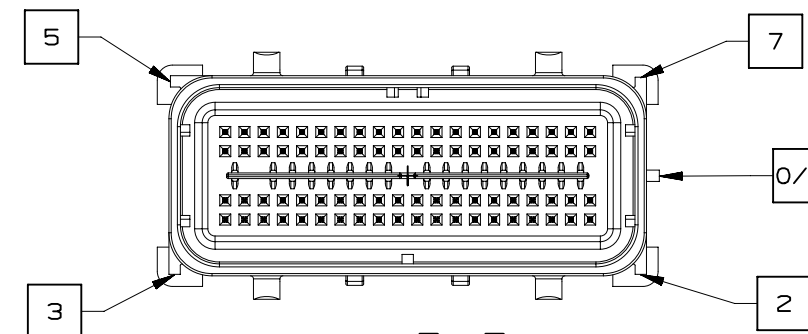
SECTION A - A  
73 CKT HARNESS CONNECTOR ASSEMBLY  
KEY OPTION B SHOWN



SECTION A - A  
80 CKT HARNESS CONNECTOR ASSEMBLY  
KEY OPTION K SHOWN



SECTION B - B  
73 CKT HARNESS CONNECTOR ASSEMBLY  
KEY OPTION B SHOWN



SECTION B - B  
80 CKT HARNESS CONNECTOR ASSEMBLY  
KEY OPTION K SHOWN

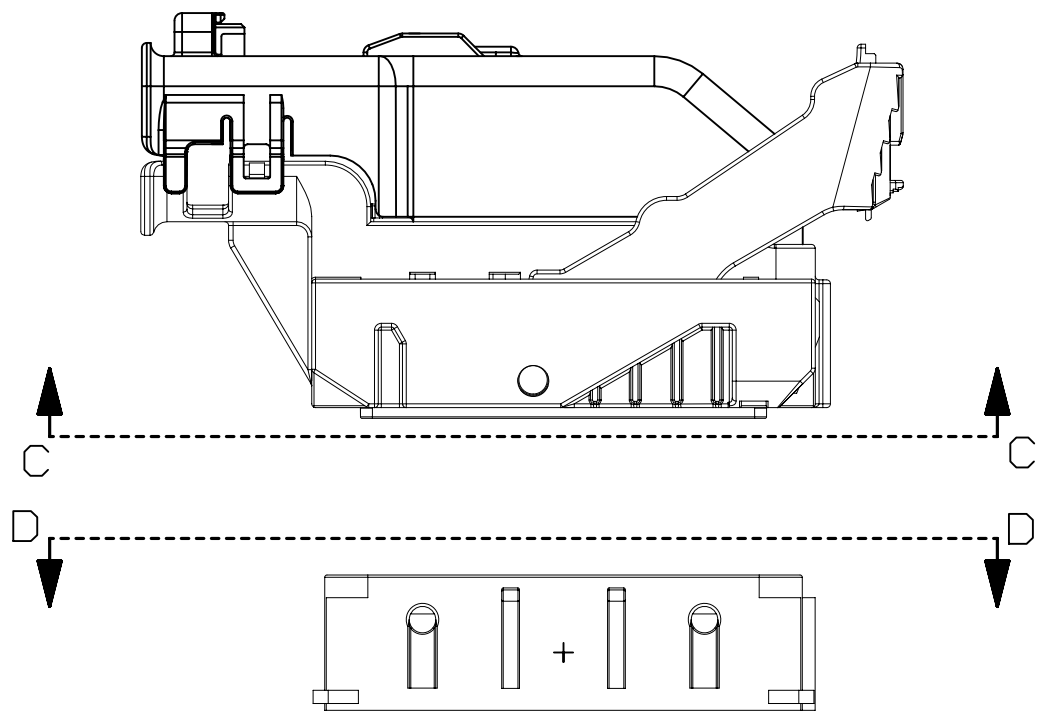


PAGE TITLE  
KEY ID REF - WIRE DRESS OPTION 0

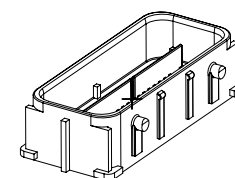
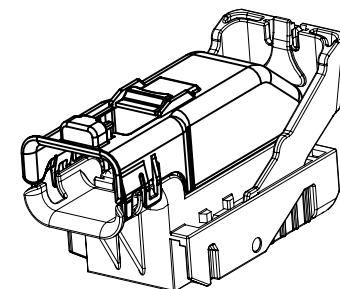
DRAWING NUMBER  
12672833

DWG STATUS		
ST	REV	PD1
R	001	

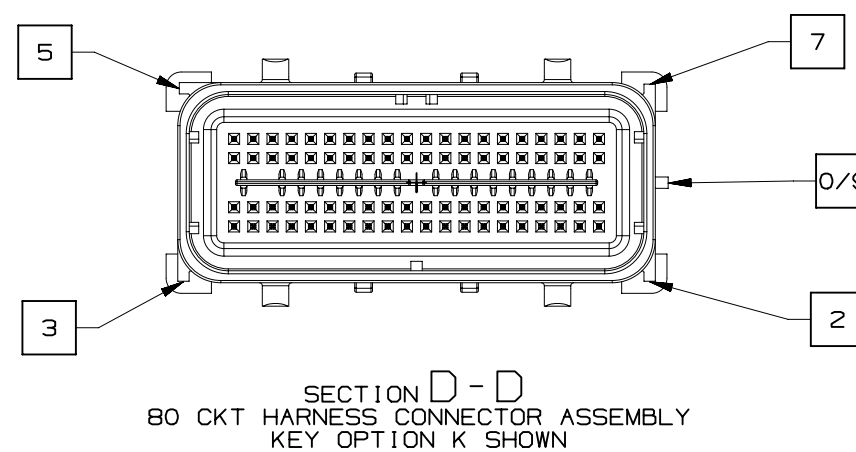
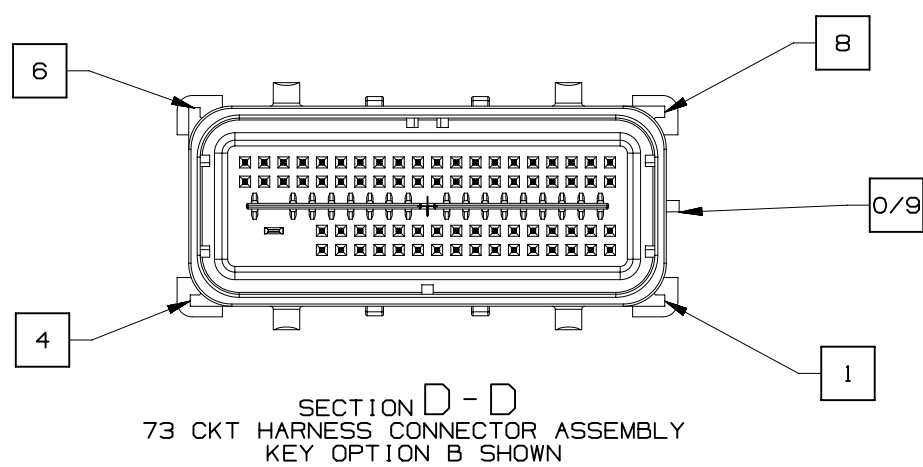
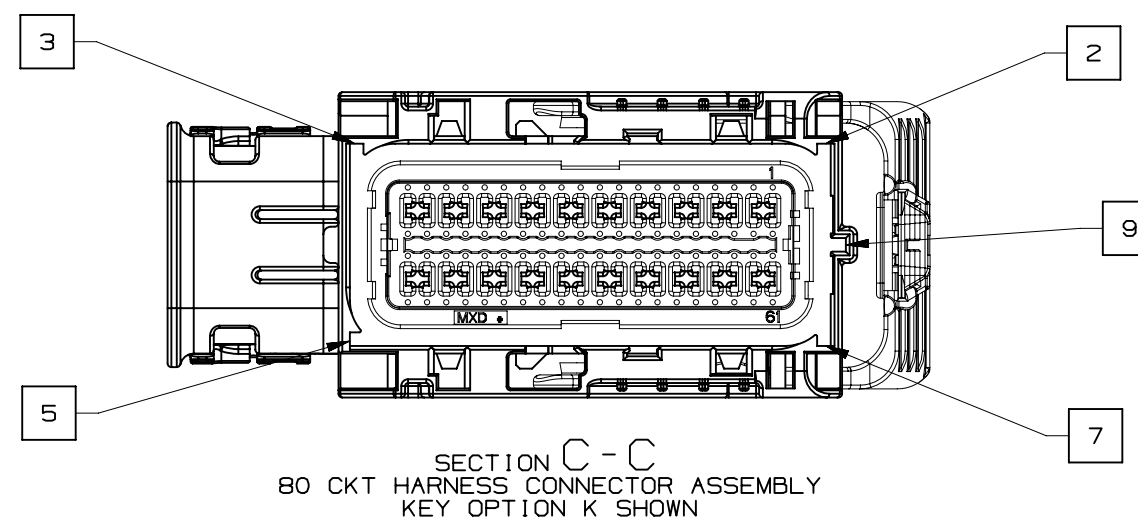
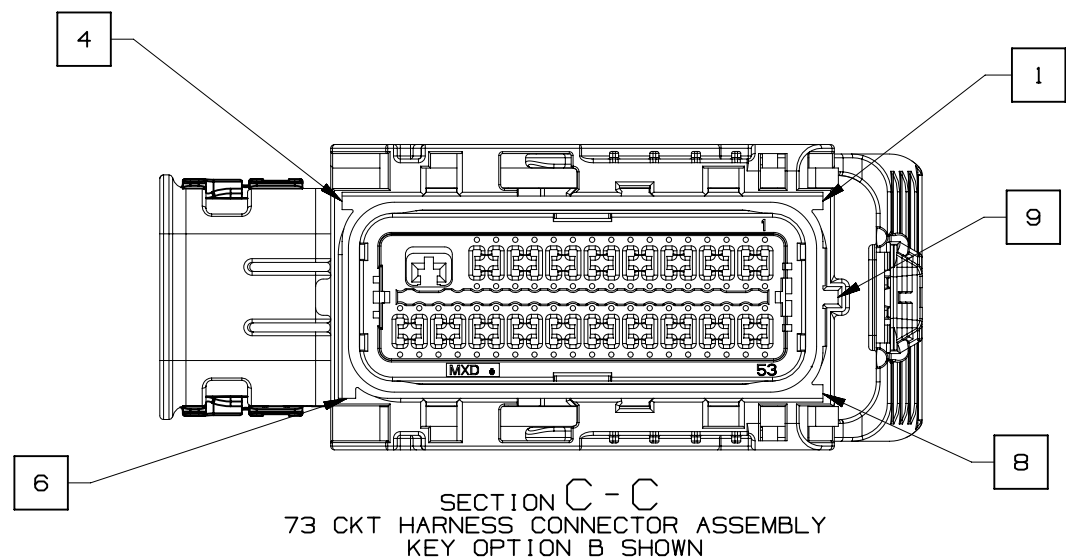
PAGE NUMBER  
11 OF 22



INTERFACE SIDE SHOWN ON ALL SECTION VIEWS



NOTE: REFERENCE THE COMPONENT TABLE FOR KEY OPTIONS AND CONFIGURATIONS



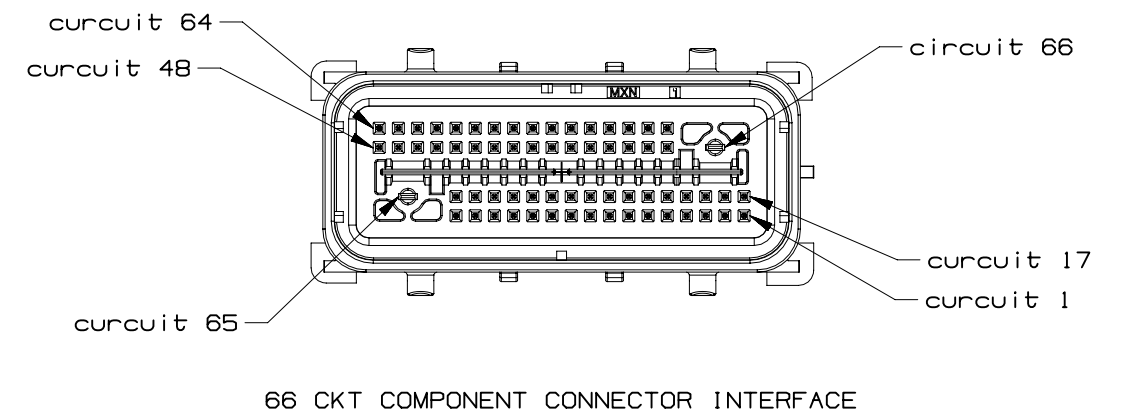
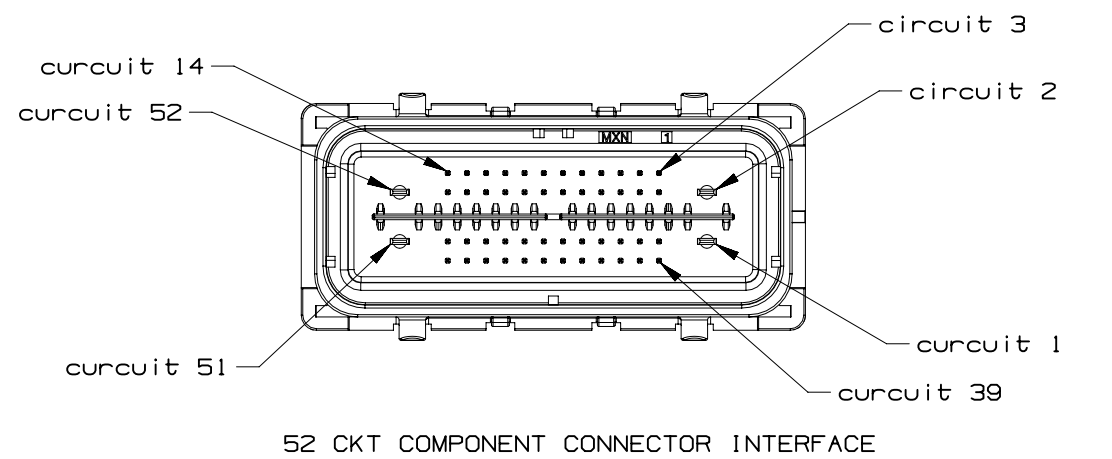
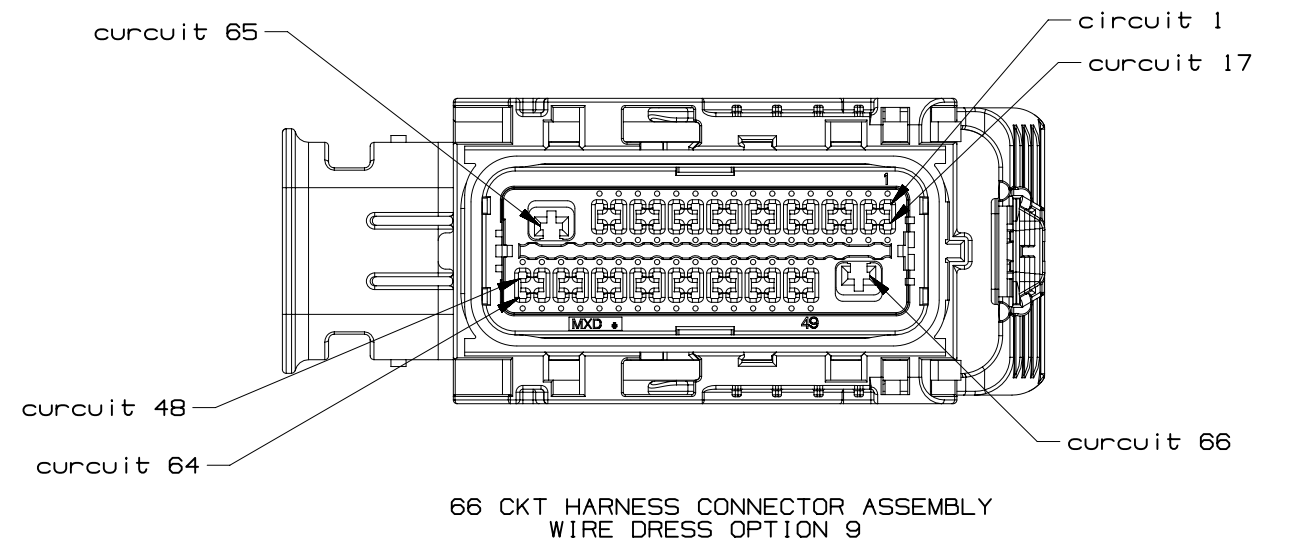
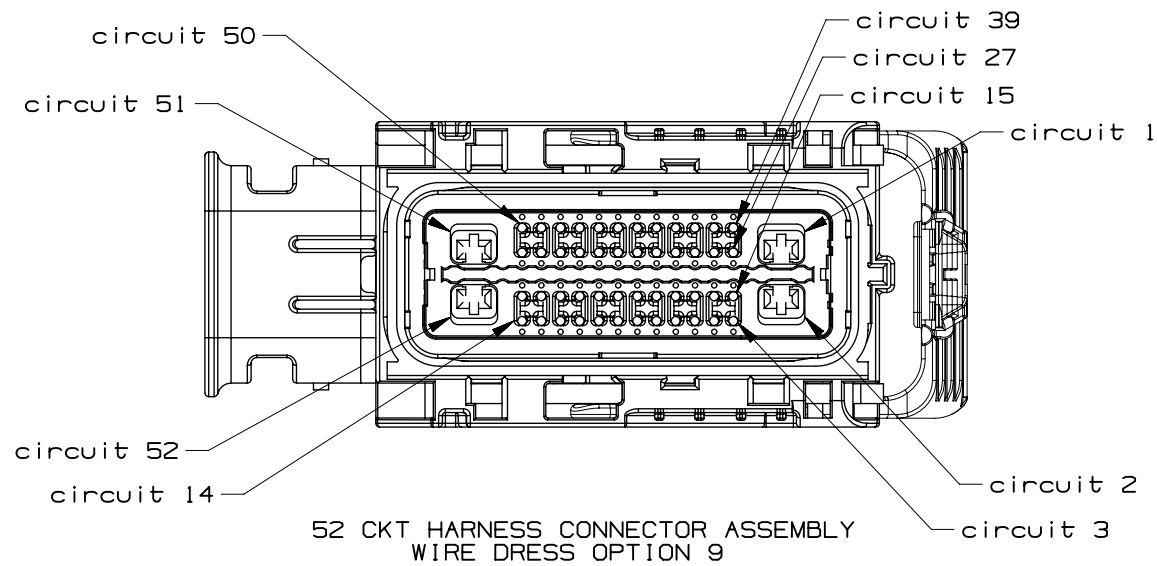
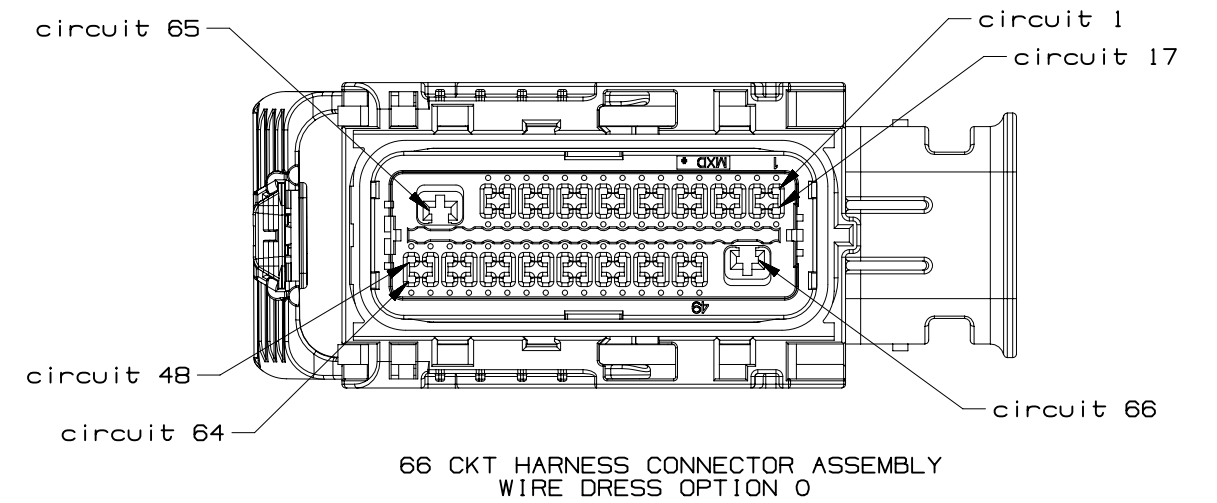
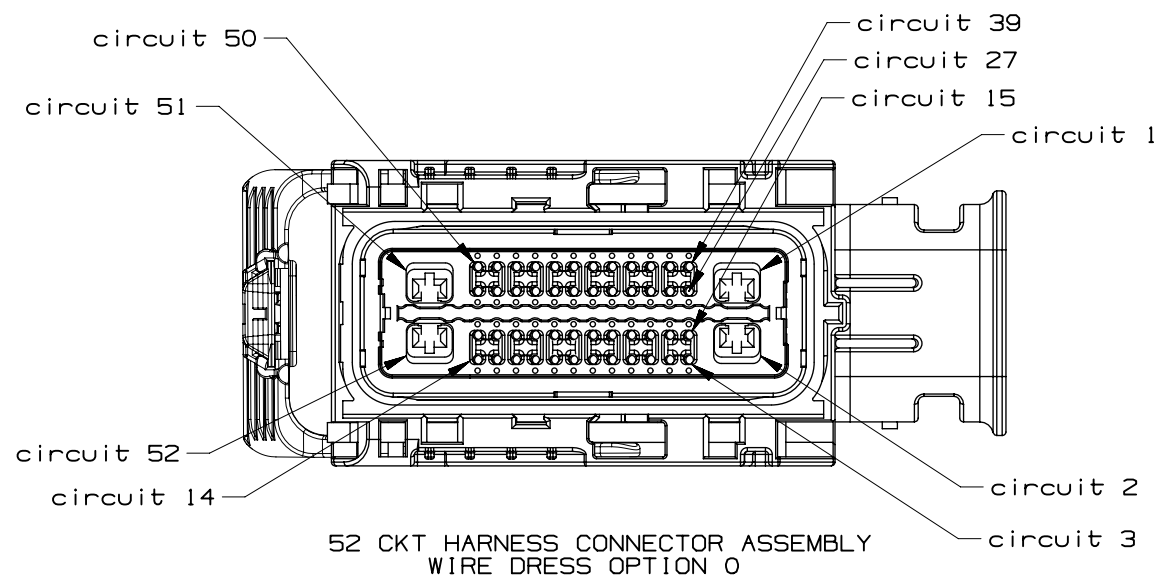
PAGE TITLE  
KEY ID REF - WIRE DRESS OPTION 9

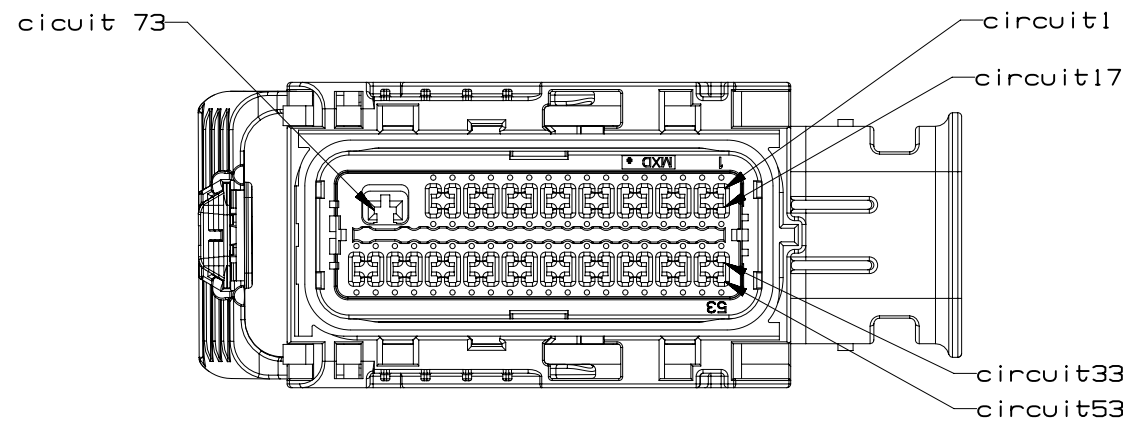
DRAWING NUMBER  
12672833

DWG STATUS		
ST	REV	PD1
R	001	

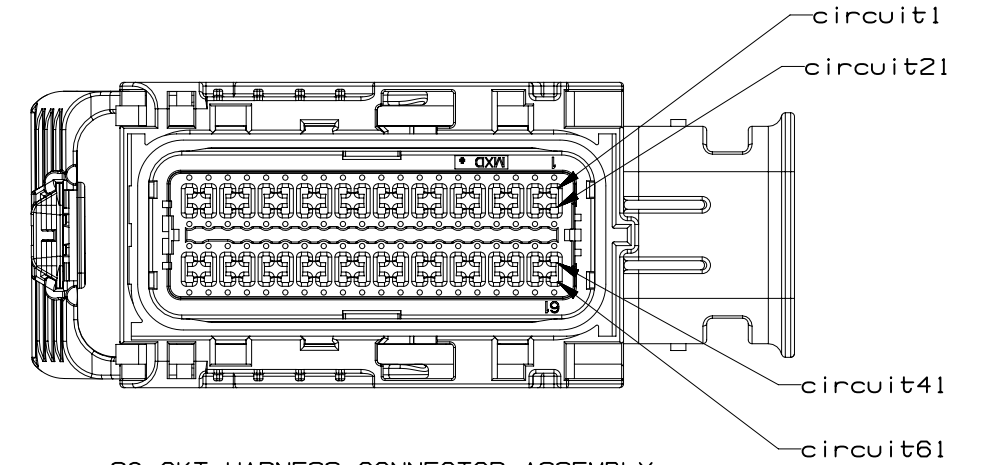
PAGE NUMBER  
12 OF 22





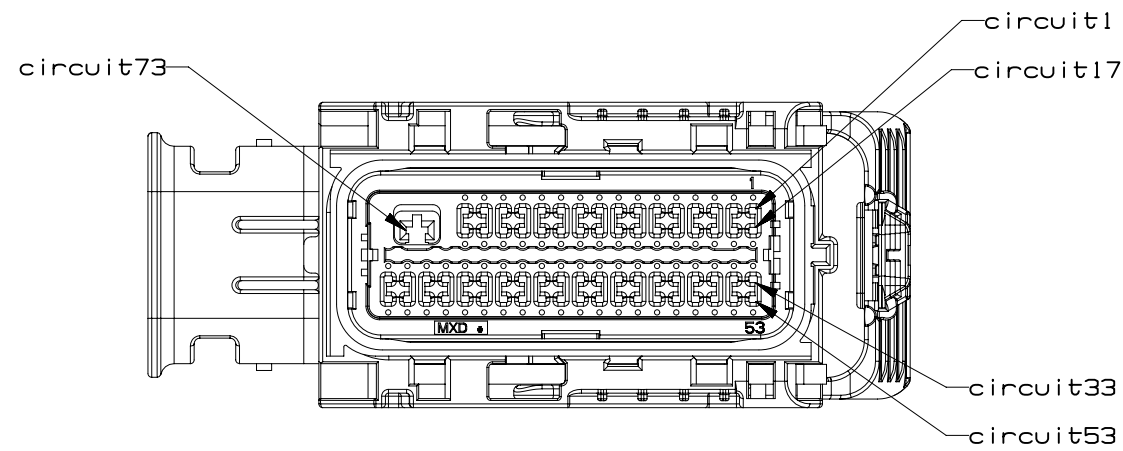


73 CKT HARNESS CONNECTOR ASSEMBLY  
WIRE DRESS OPTION 0

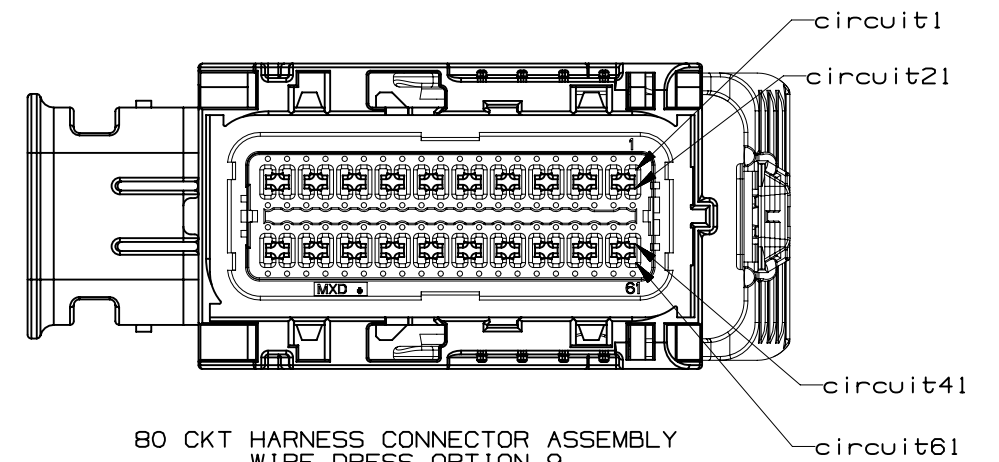


80 CKT HARNESS CONNECTOR ASSEMBLY  
WIRE DRESS OPTION 0

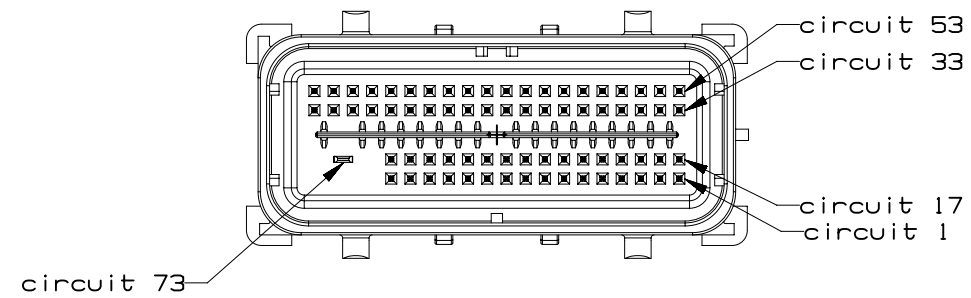
INTERFACE SIDE SHOWN ON ALL VIEWS



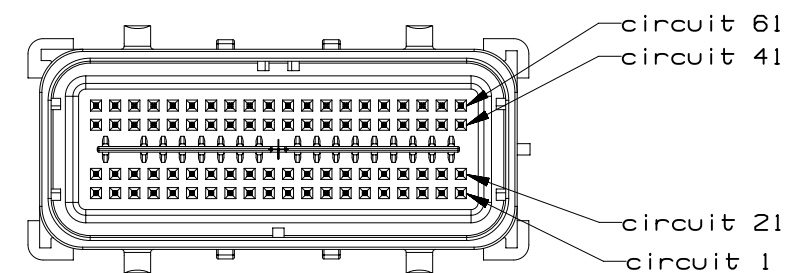
73 CKT HARNESS CONNECTOR ASSEMBLY  
WIRE DRESS OPTION 9



80 CKT HARNESS CONNECTOR ASSEMBLY  
WIRE DRESS OPTION 9

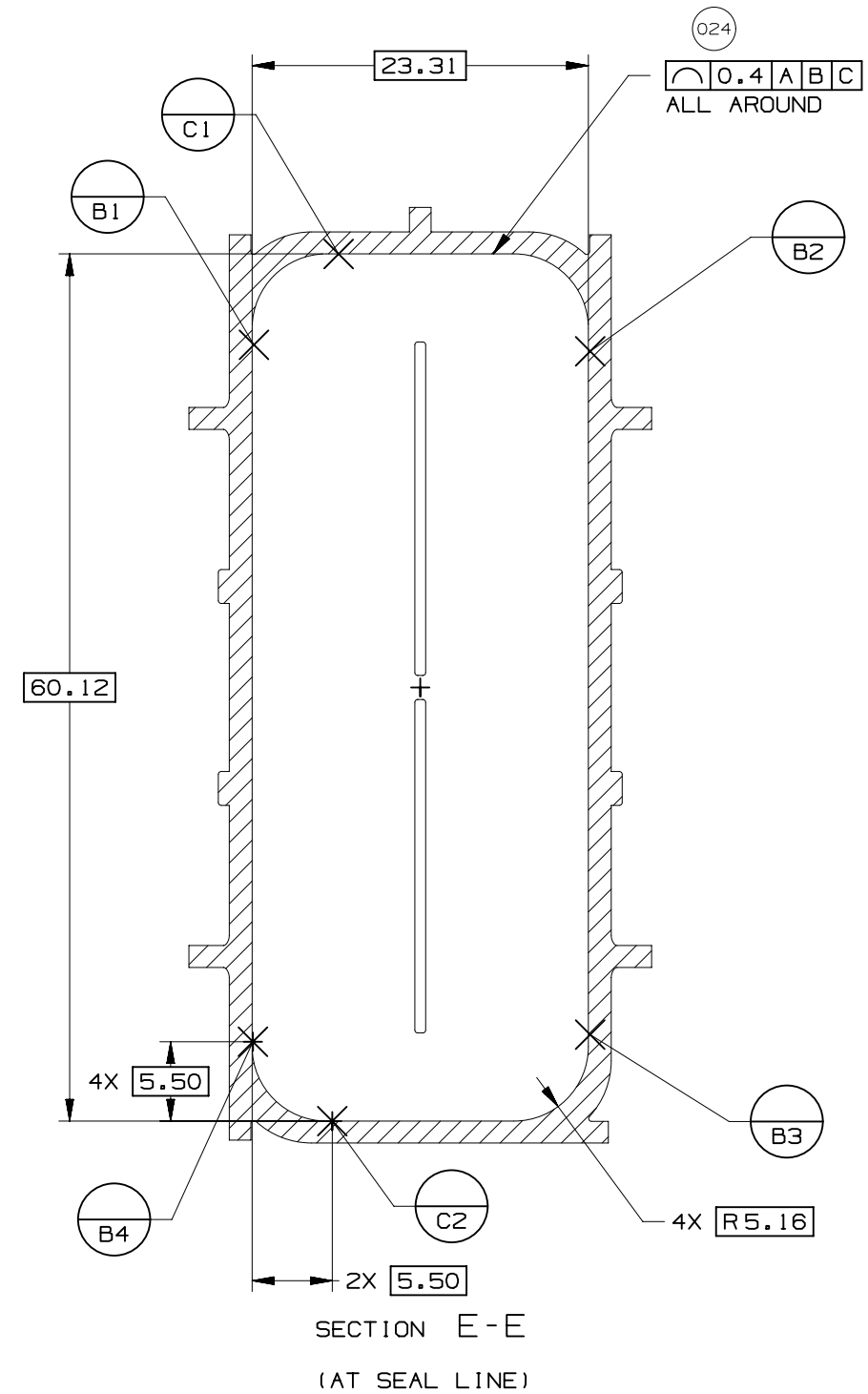
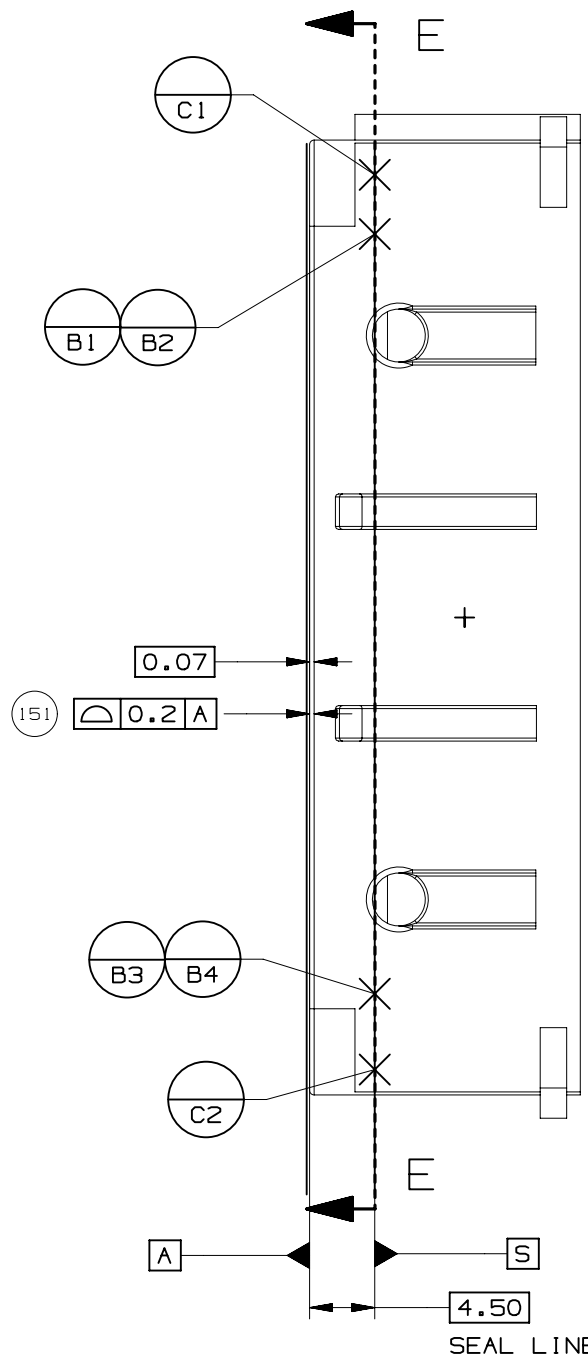
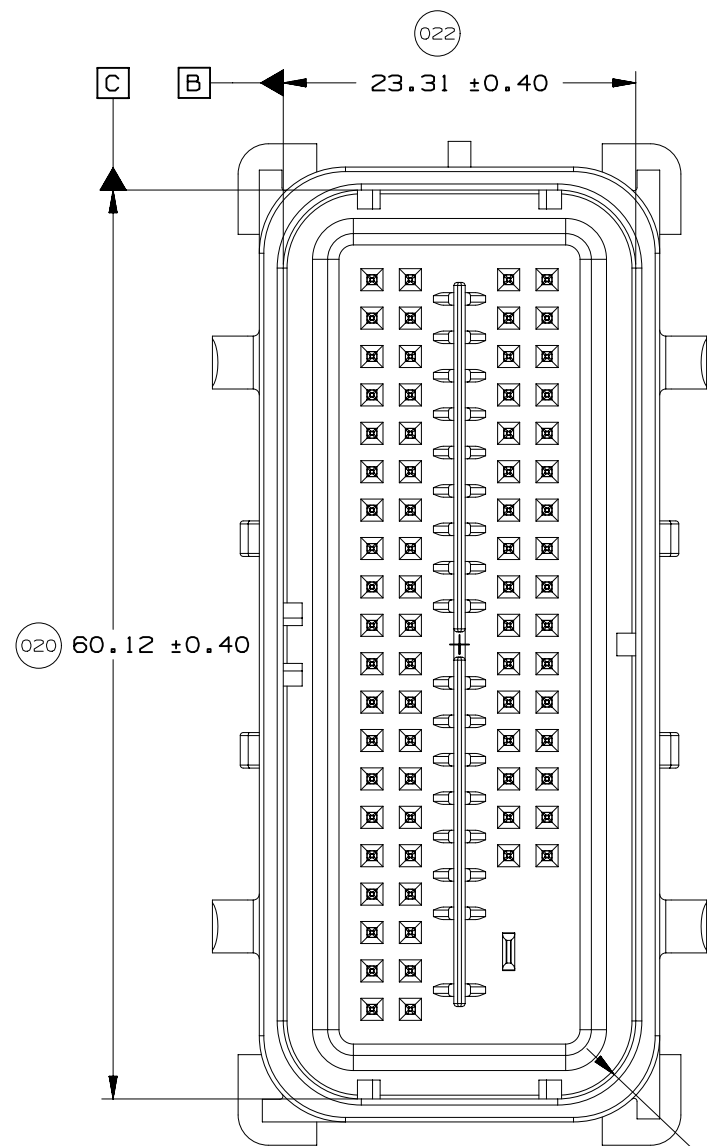
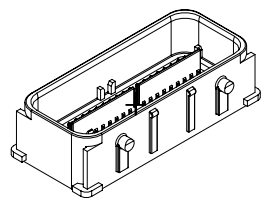


73 CKT COMPONENT CONNECTOR INTERFACE



80 CKT COMPONENT CONNECTOR INTERFACE





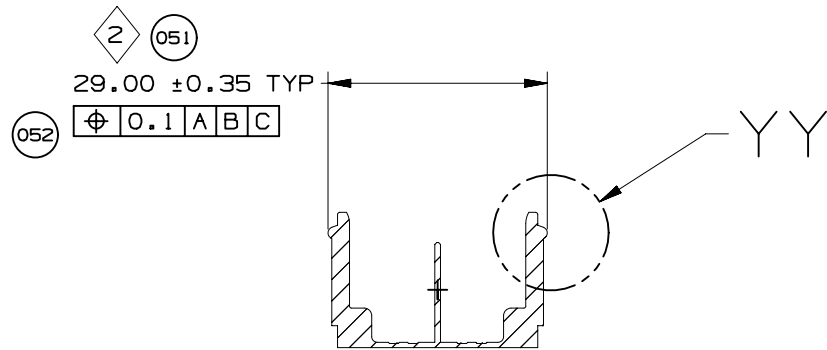
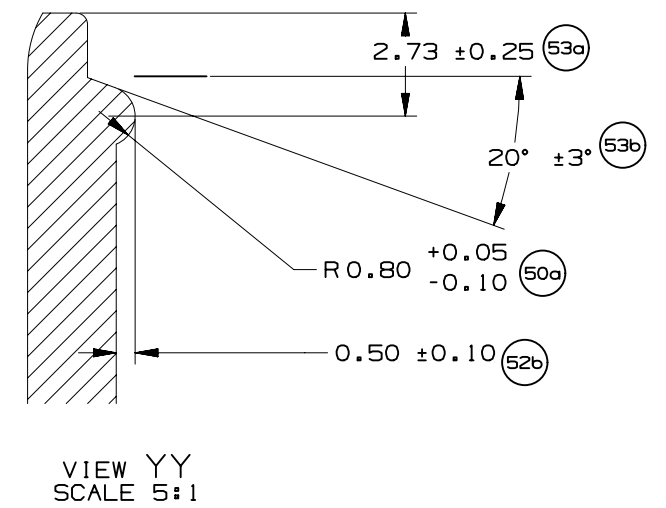
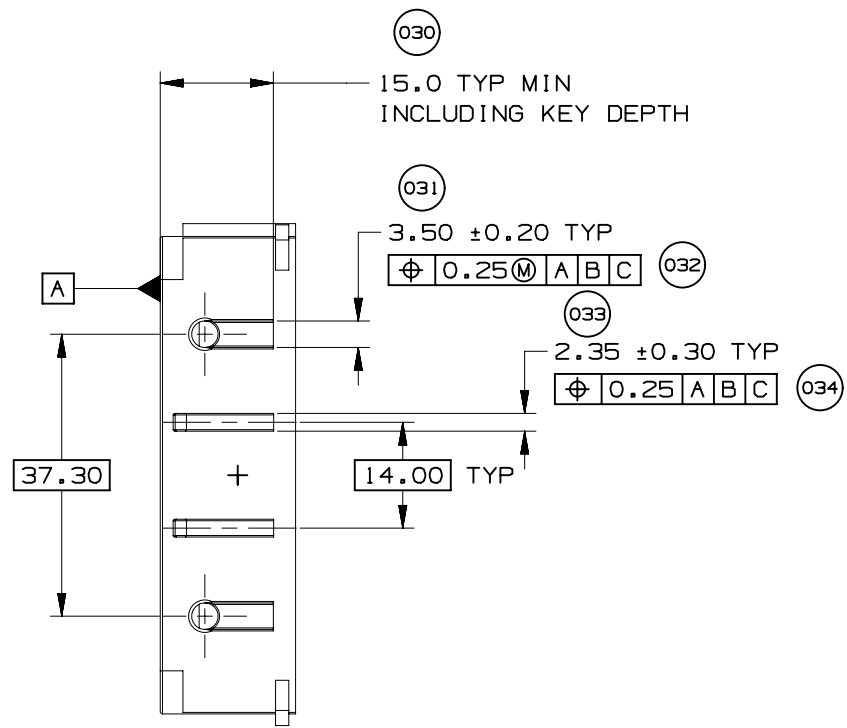
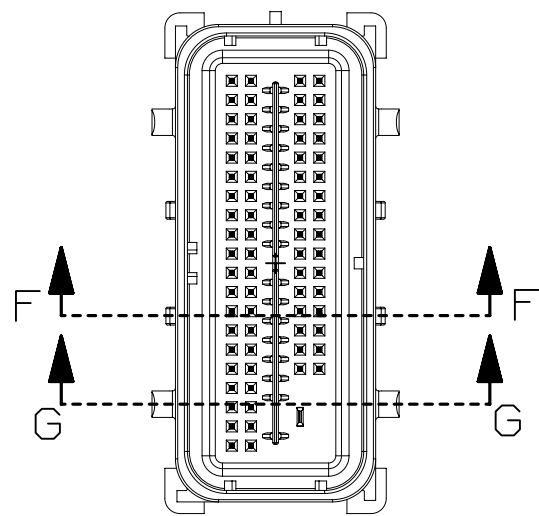
UNLESS SPECIFIED, TOLERANCE OF THE COMPONENT CONNECTOR INTERFACE TO BE 0.13 A B C



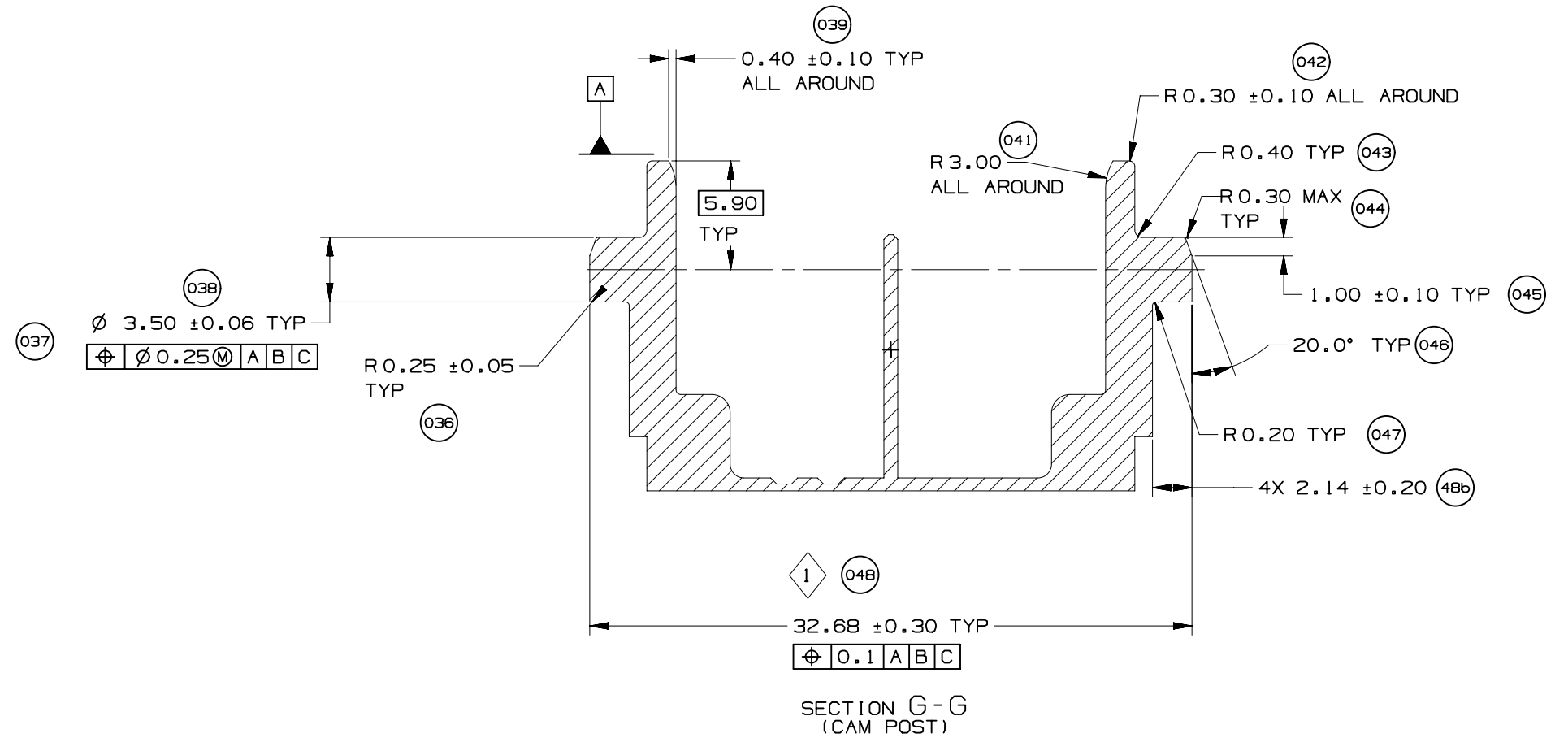
PAGE TITLE  
COMPONENT CONNECTOR INTERFACE

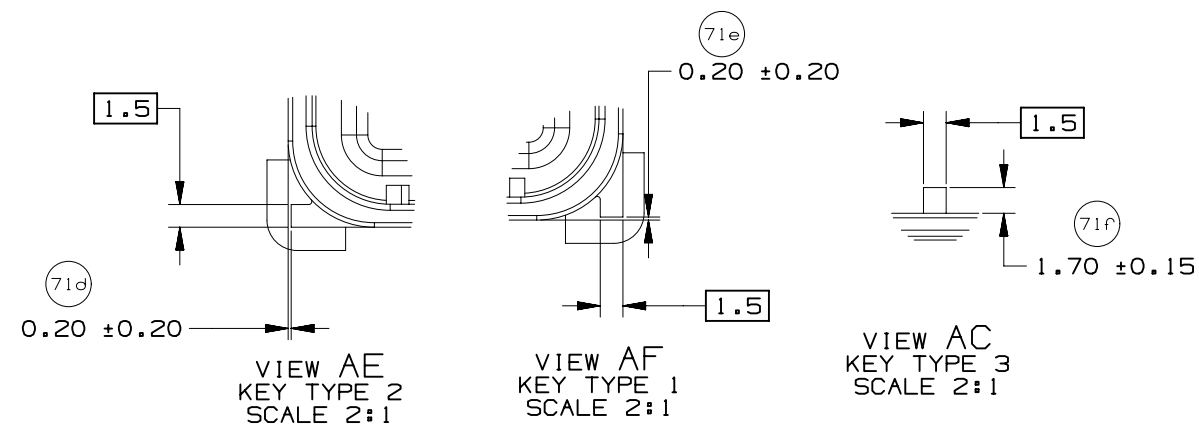
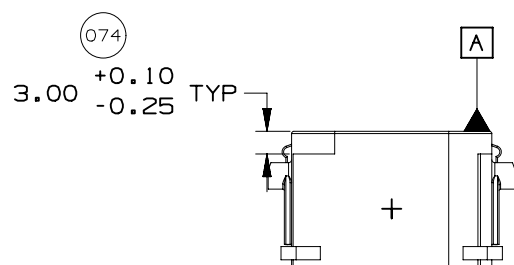
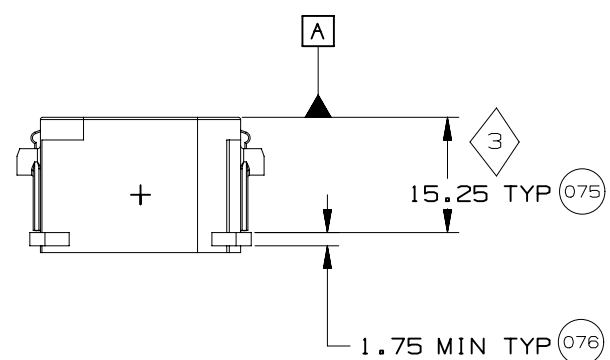
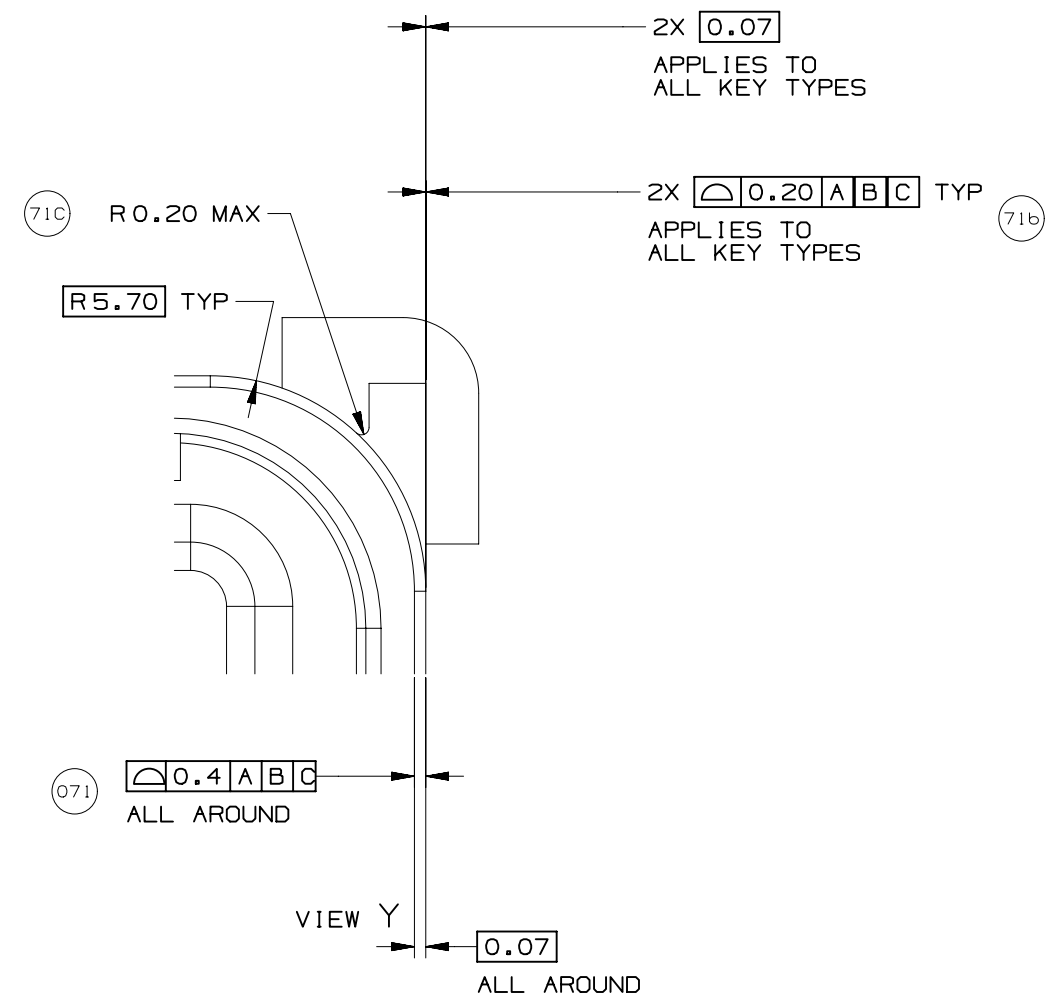
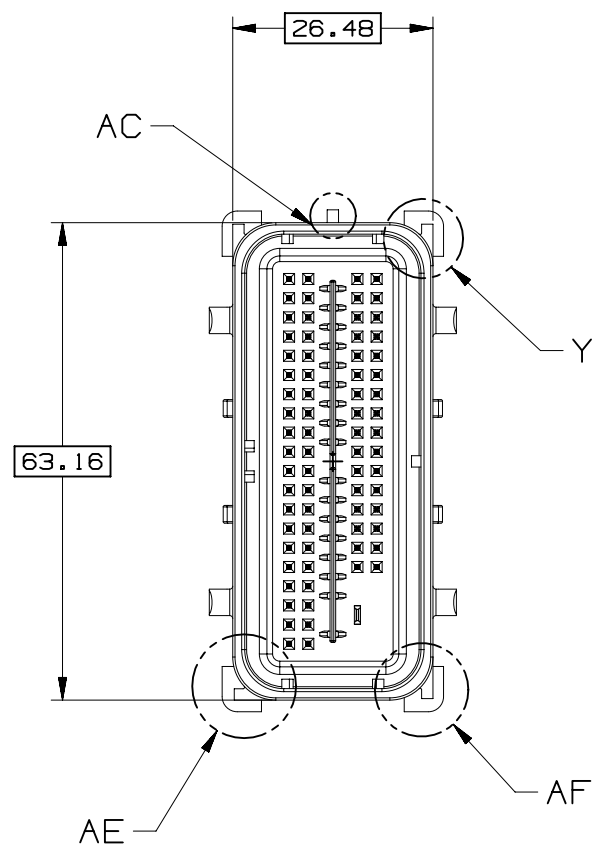
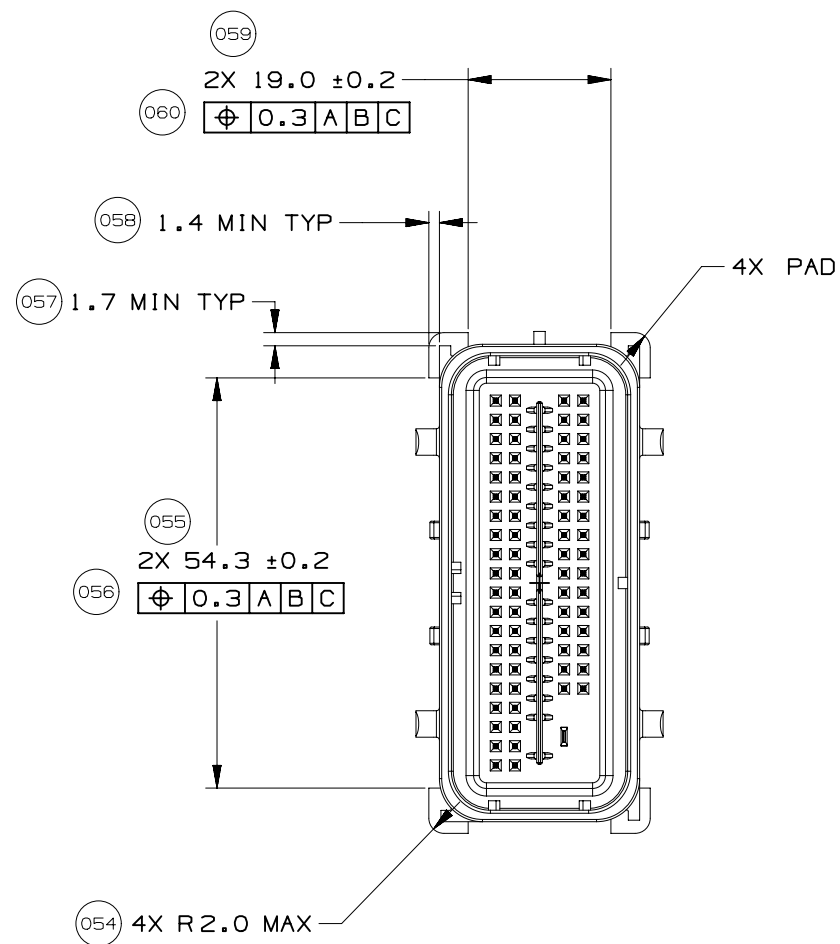
DRAWING NUMBER  
12672833

DWG STATUS			PAGE NUMBER
ST	REV	PD1	
R	001		15 OF 22



SECTION F-F  
(RELEASE FEATURE)

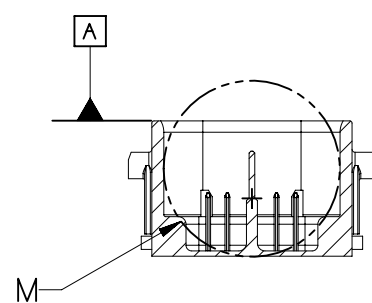
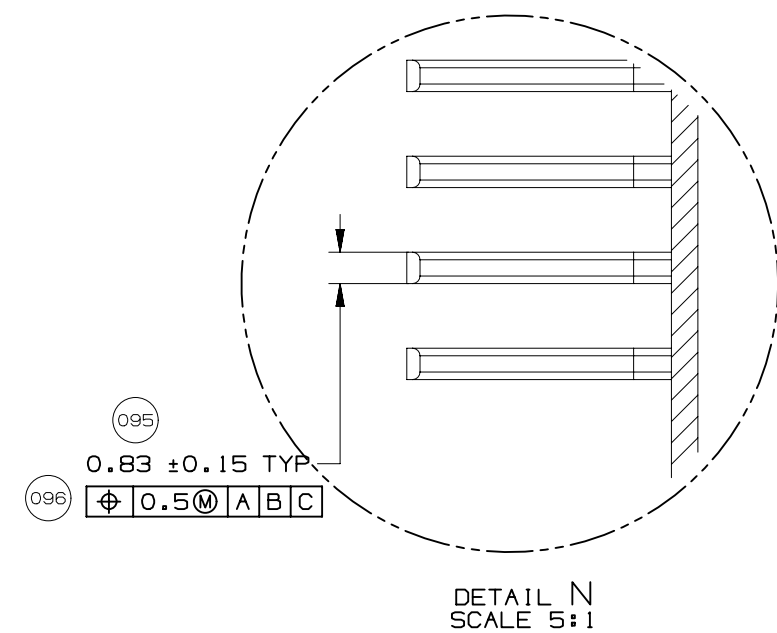
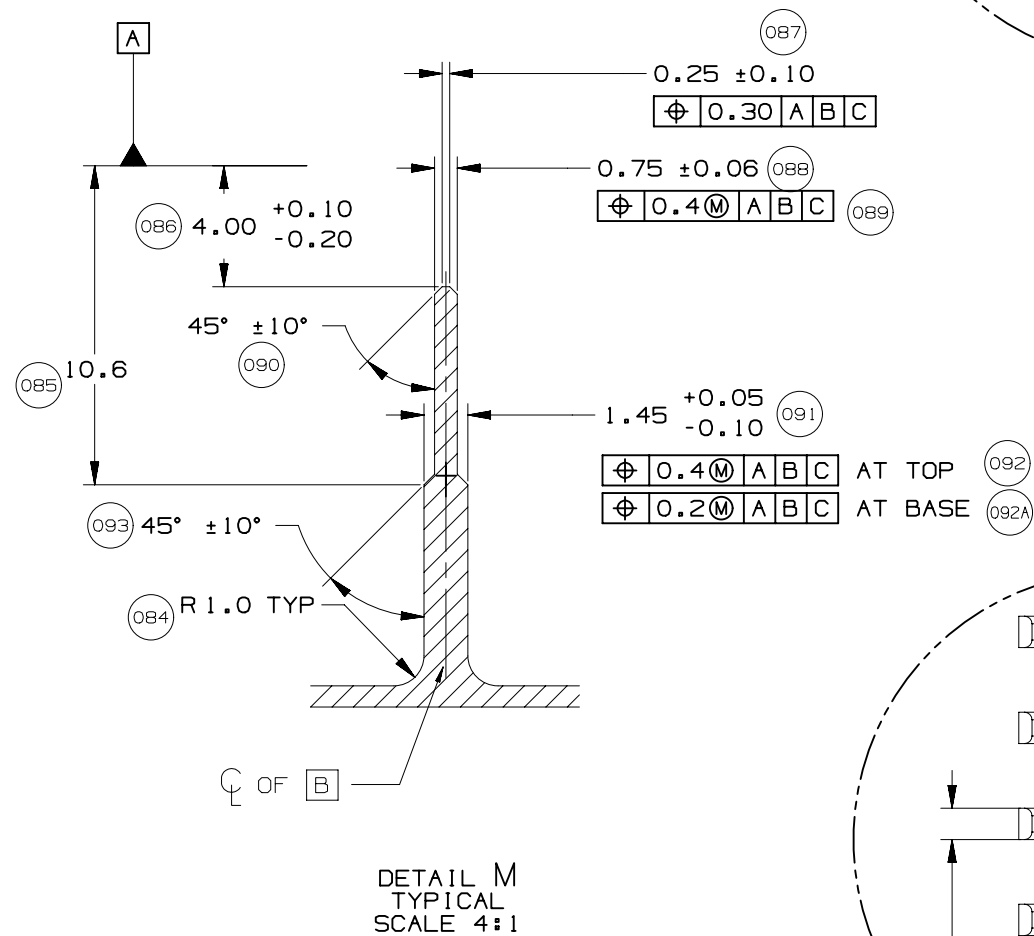
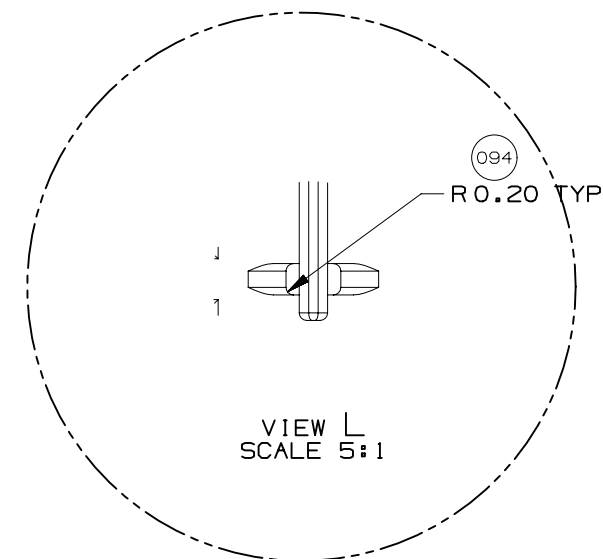
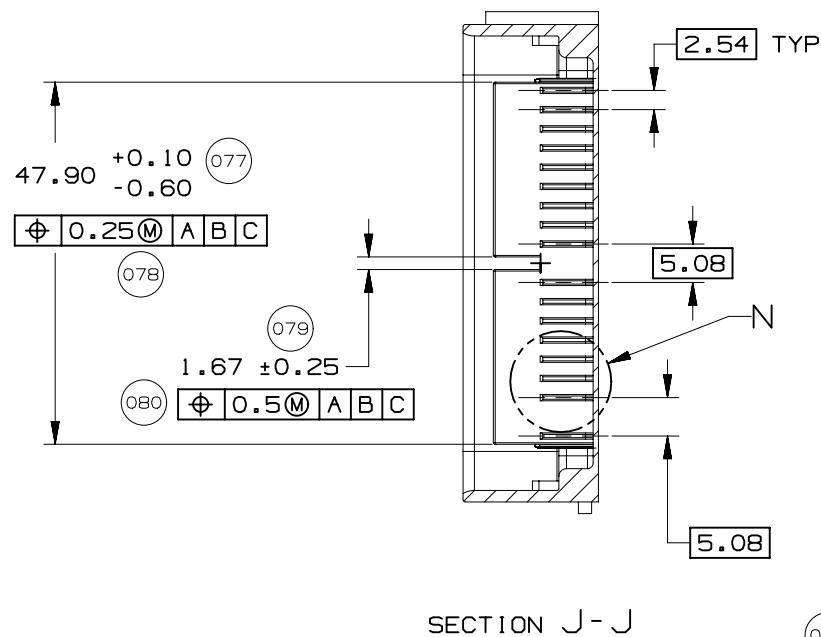
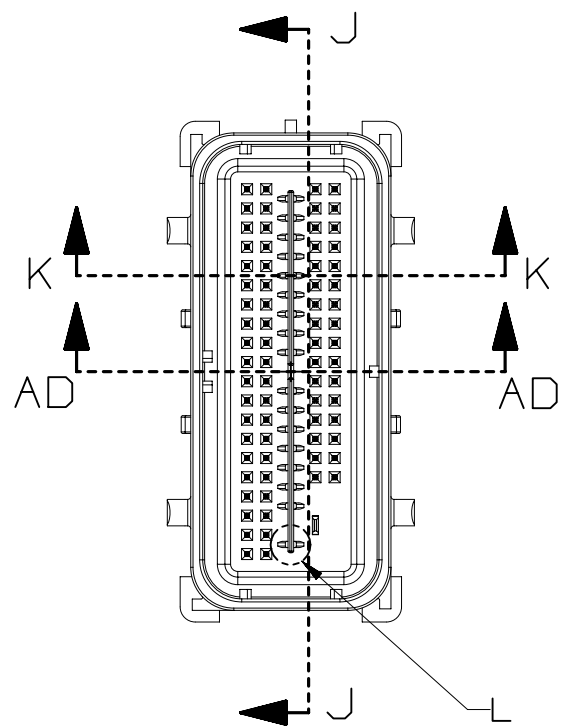




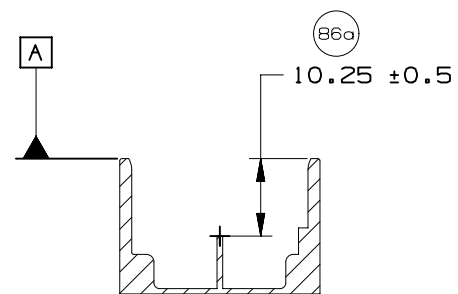
PAGE TITLE  
 COMPONENT CONNECTOR INTERFACE

DRAWING NUMBER  
 12672833

DWG STATUS			PAGE NUMBER
ST	REV	PD1	
R	001		17 OF 22

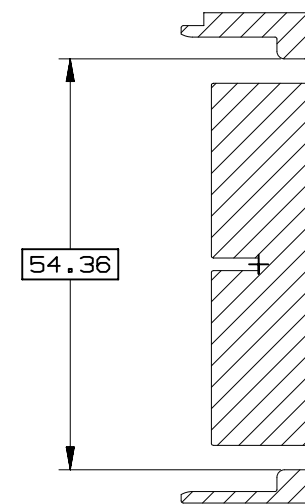
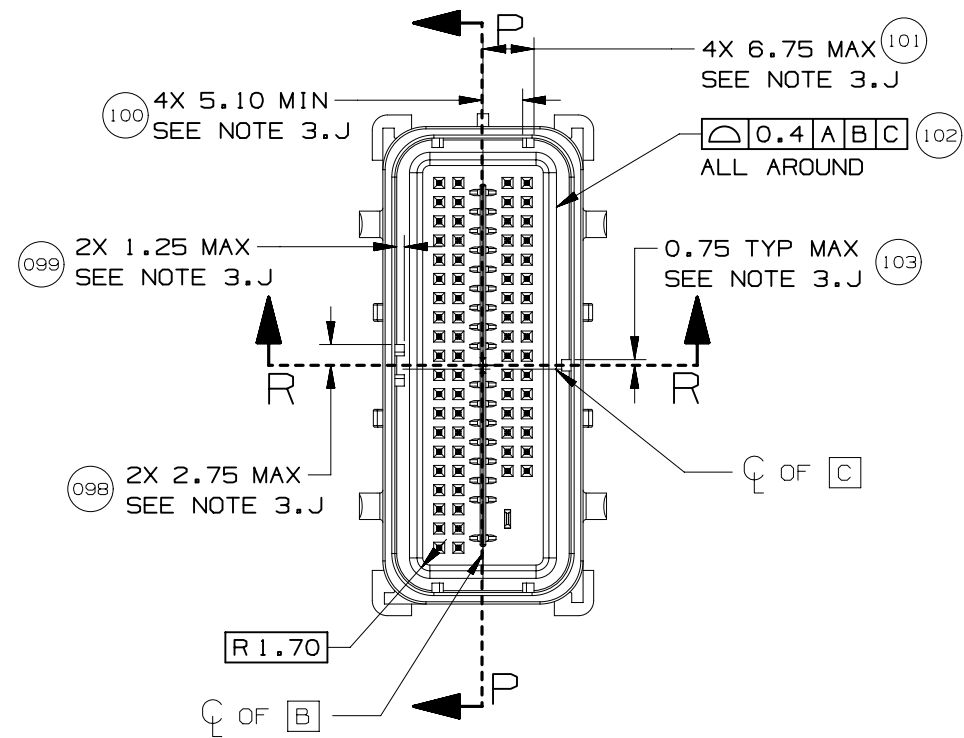


SECTION K-K

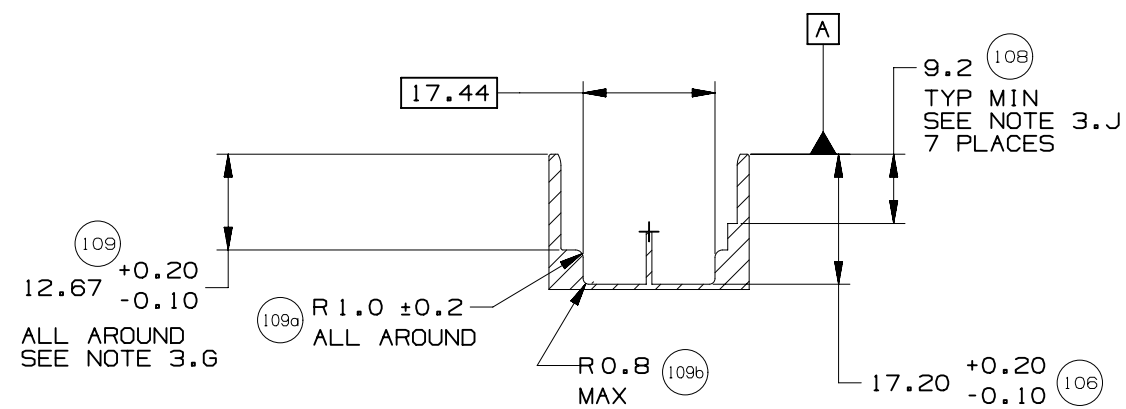


SECTION AD-AD





SECTION P-P



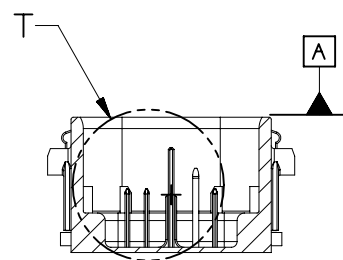
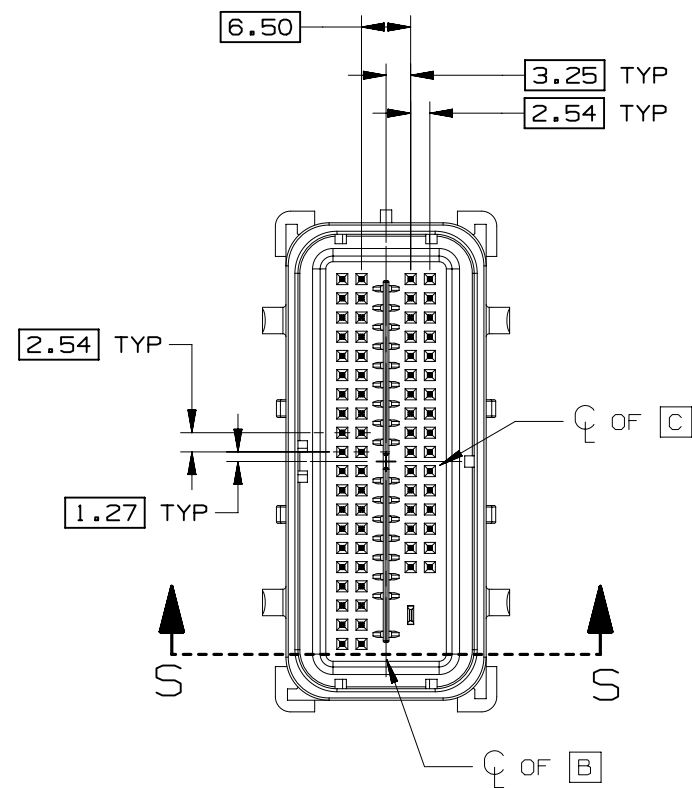
SECTION R-R



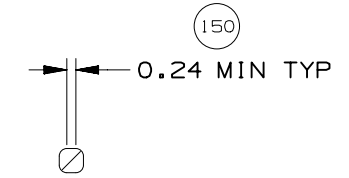
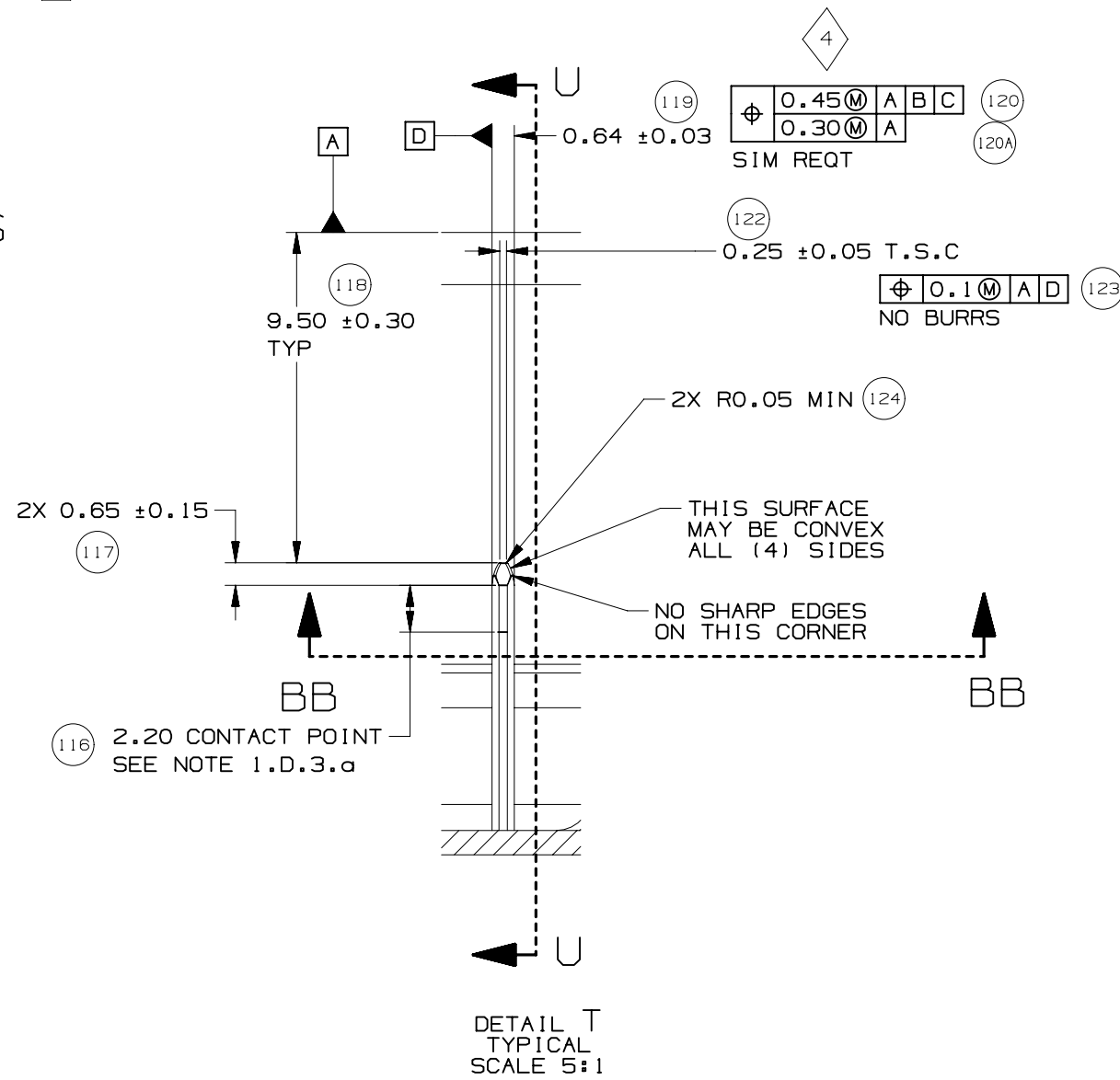
PAGE TITLE  
COMPONENT CONNECTOR INTERFACE

DRAWING NUMBER  
12672833

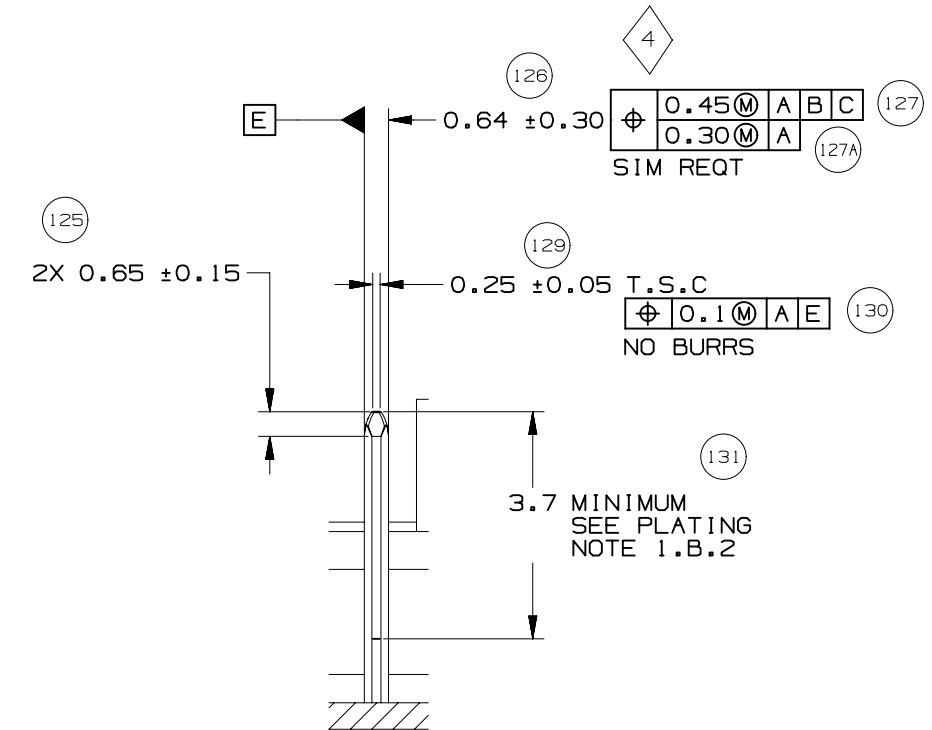
DWG STATUS			PAGE NUMBER	
ST	REV	PD1	19	OF 22
R	001			



SECTION S-S



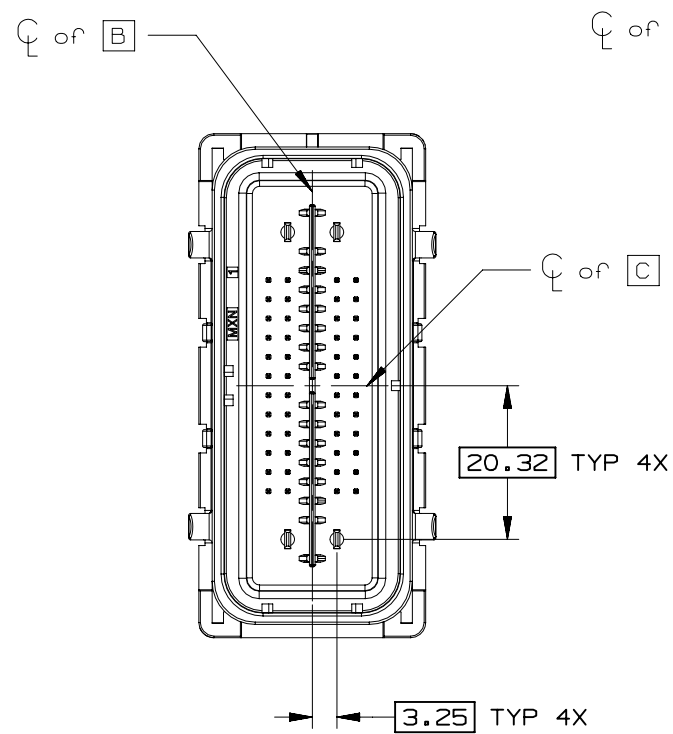
SECTION BB-BB



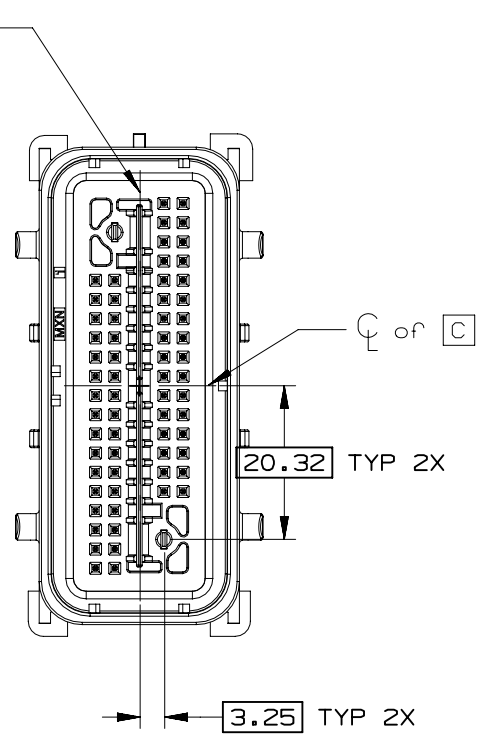
SECTION U-U TYPICAL



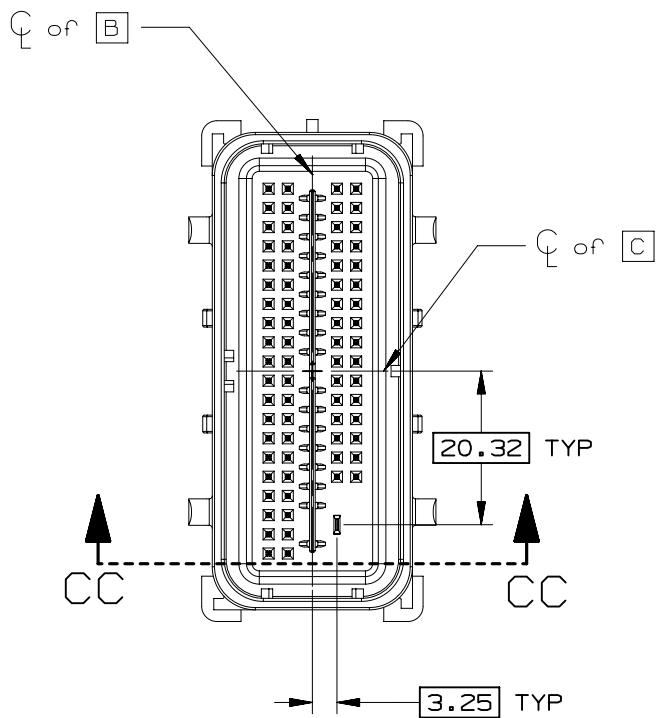




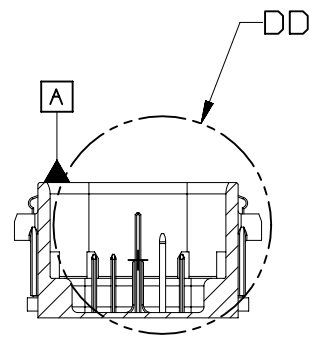
52 CKT COMPONENT  
CONNECTOR INTERFACE



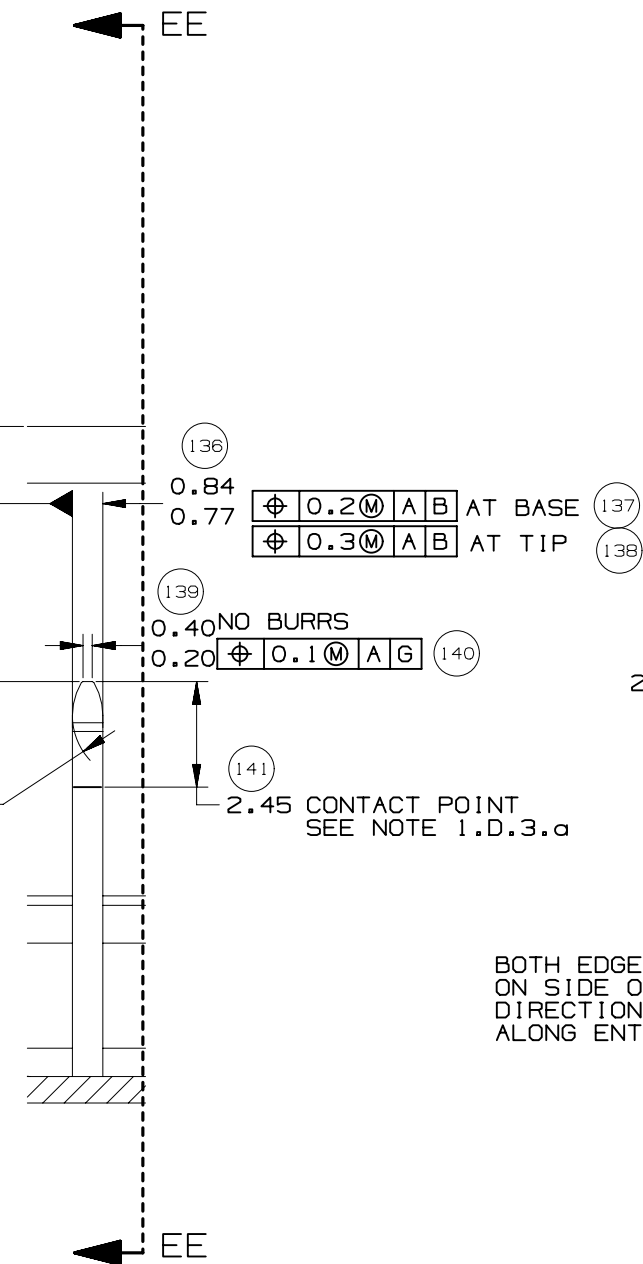
66 CKT COMPONENT  
CONNECTOR INTERFACE



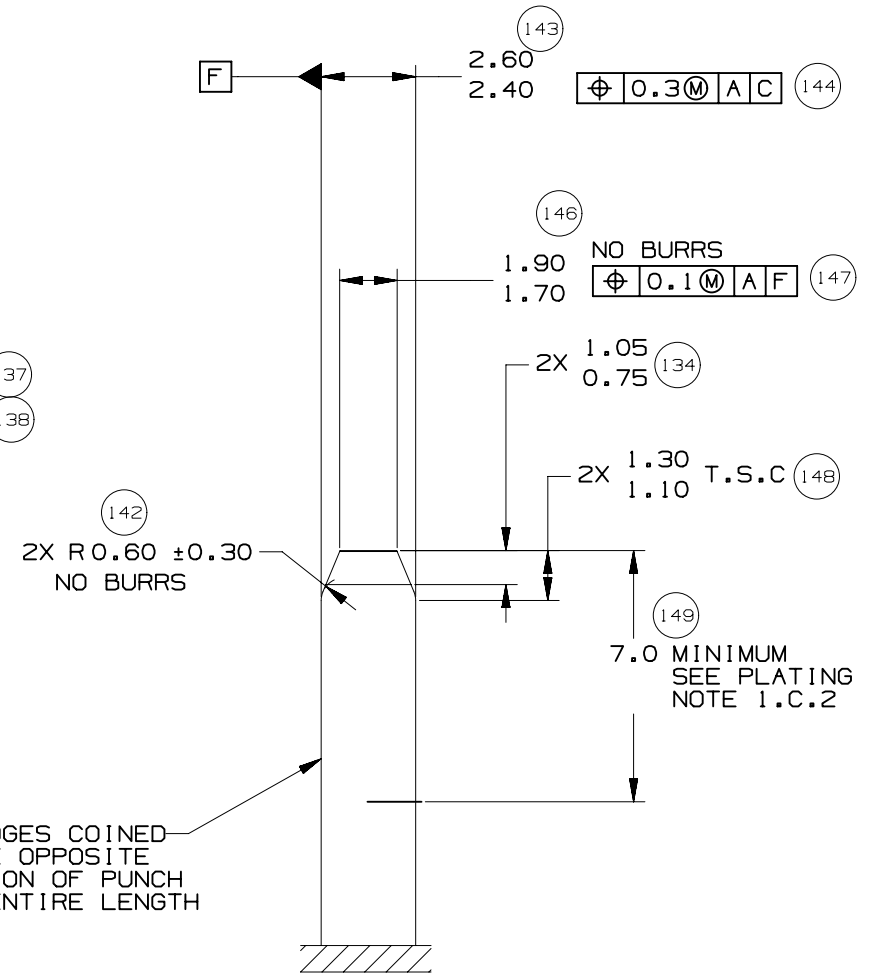
73 CKT COMPONENT  
CONNECTOR INTERFACE



SECTION CC-CC



DETAIL DD  
TYPICAL  
SCALE 5:1

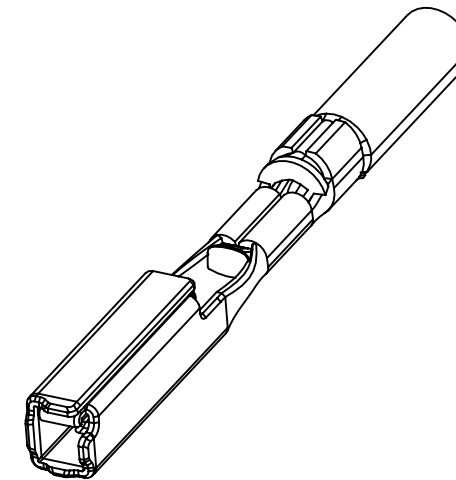
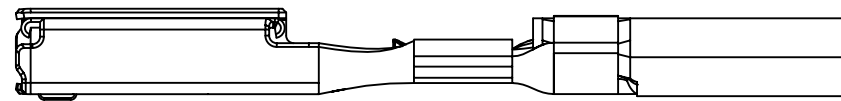
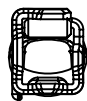


SECTION EE-EE  
TYPICAL



MOLEX MX64 RECEPTACLE TERMINAL INFORMATION

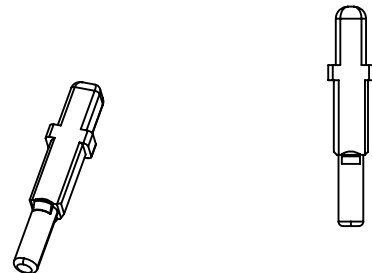
ITEM	MOLEX P/N	GM P/N	WIRE SIZE MM2	TYPE	PLATING	REEL WIND DIRECTION	COMMENTS
1	34736-0025		0.35	ISO	SILVER	LEFT	
2	34736-0026	12672850	0.35	ISO	SILVER	RIGHT	
3	34736-0027		0.5 / 0.75	ISO	SILVER	LEFT	
4	34736-0028	12672851	0.5 / 0.75	ISO	SILVER	RIGHT	



CAVITY PLUGS

ITEM	MFG	MFG P/N	GM P/N RD	SIZE	COLOR	MFG DRAWING	PROD SPEC	APP SPEC	COMMENTS
1	MOLEX	34586-0001	12674820	0.64	NATURAL	SD-34586-001	PS-34566-0000	AS-34566-001	
2	YAZAKI	7158-3114-90	12674821	2.8	BLUE	7158-3114-90	YPES-11-04-062	YPES-15-299	

ITEM 1



ITEM 2

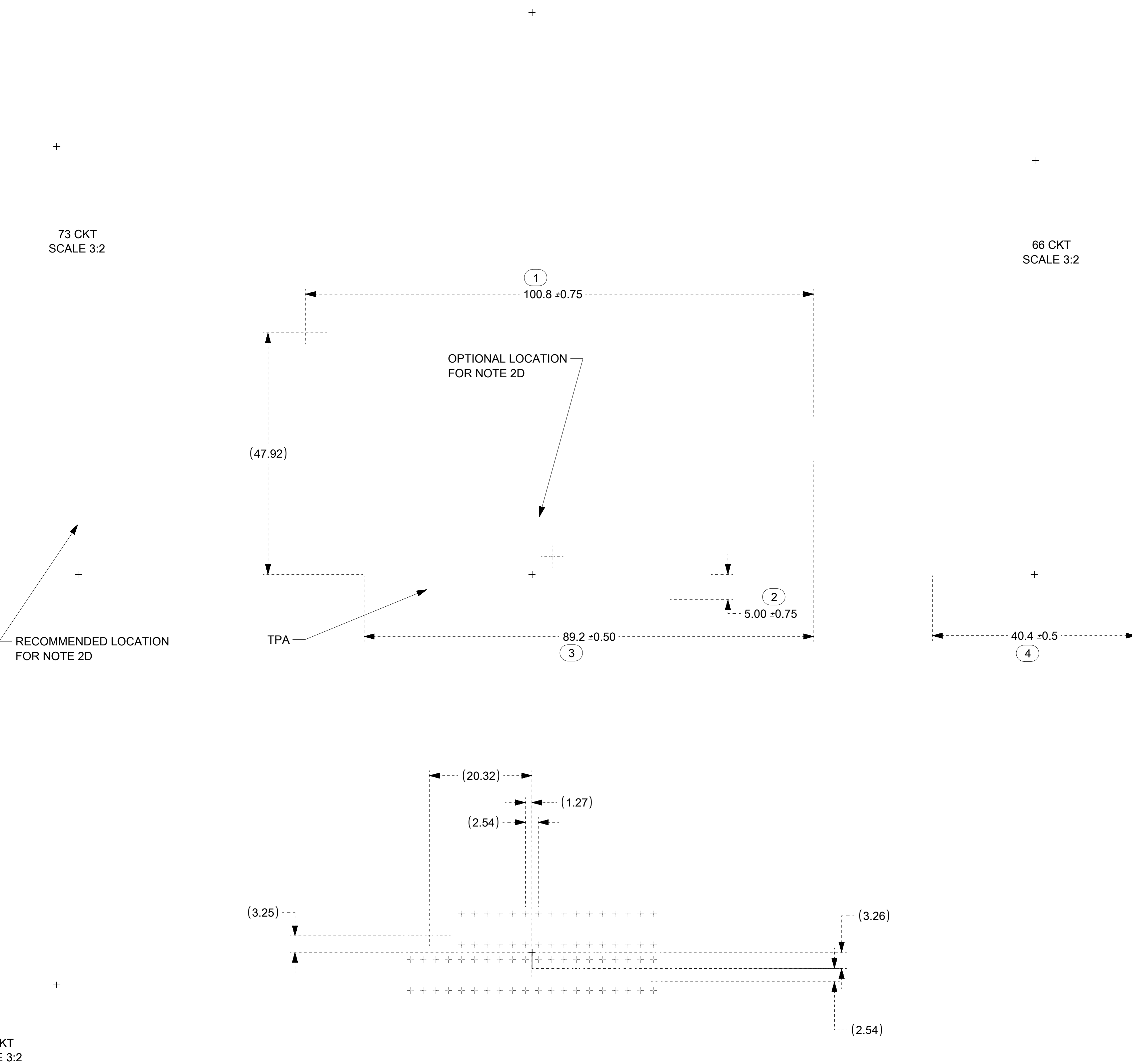


PAGE TITLE  
ADDITIONAL COMPONENTS REQUIRED

DRAWING NUMBER  
12672833

DWG STATUS		
ST	REV	PD1
R	001	

PAGE NUMBER  
22 OF 22



NOTES: UNLESS OTHERWISE SPECIFIED

1. MATERIAL:

- A. RESIN: SEE COMPONENT DRAWINGS
- B. COLOR: SEE TABLE

2. DESIGN - GENERAL:

- A. THIS IS A 100% CAD GENERATED PART. THE CAD MATHEMATICAL DATA IS THE MASTER FOR THIS PART. FOR DIMENSIONAL OR ANY INFORMATION NOT SHOWN ON THIS DRAWING, ANALYZE THE CAD MODEL.
- B. TOLERANCES:
  - a. LINEAR X.X ± 0.30
  - X.XX ± 0.10
  - X.XXX ± 0.10
  - b. ANGULAR X° ± 3.0°
- C. CORNERS SHOWN AS SHARP TO BE R 0.2 MAX.
- D. FOLLOWING PRODUCTION CODES TO BE PERMANENTLY MARKED & HUMAN READABLE TO A LETTER HEIGHT 3mm.
  - LINE #1: MATERIAL #:XXXX-XXXX
  - LINE #2: DATE CODE: JJJY (JULIAN DAY, LAST DIGIT OF YEAR)
  - LINE #3: INSPECTION MACHINE CODE + SERIAL #: X\_XXXX
- E-1. PARTS MUST BE FREE OF DISCOLORATION, SALT RESIDUE AND OTHER IMPERFECTIONS THAT AFFECT FIT OR FUNCTION.
- E-2. SCRATCHES OR DENTS NOT TO EXCEED 0.13mm IN DEPTH.
- F. CHANGES IN DESIGN FROM PART PREVIOUSLY APPROVED REQUIRES PRIOR ENGINEERING APPROVAL. THIS INCLUDES BUT IS NOT LIMITED TO DRAFT, MATERIAL OR PROCESSING.
- G. SHALL CONFORM TO THE FOLLOWING PACKAGING SPECIFICATION:PK-31300-019

3. DESIGN - MANUFACTURING:

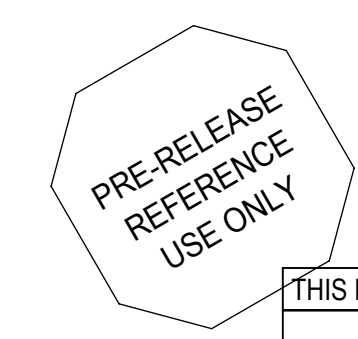
- A. DRAFT TO BE WITHIN TOLERANCE.
- B. ALLOWABLE FLASH 0.2 MAX HIGH X 0.13 MAX THICK.
- C. ALLOWABLE PARTING LINE MISMATCH 0.2 MAX.
- D. EJECTOR PINS MARK TO BE FLUSH TO 0.25 MAX DEPRESSED.
- E. ALLOWABLE GATE VESTIGE TO BE FLUSH TO 0.25 MAX PROTRUSION.

4. SYSTEM REQUIREMENTS:

WHEN TESTED TO SAE/USCAR-2 REV: 3, APRIL 2001, AND GMW #3191, AUGUST 22, 2000 (DRAFT).

- A. TPA (WITHOUT TERMINALS)
  - a. INSERTION FORCE FROM PRE-SET TO LOCK: >20N
  - b. REMOVAL FORCE FROM PRE-SET: ≥20N
- B. CPA
  - a. INSERTION FORCE FROM PRE-SET TO LOCK WITH CONNECTOR UN-MATED: ≥60N
  - b. REMOVAL FORCE FROM PRE-SET: ≥30N
- C. GROMMET CAP
  - a. REMOVAL FORCE FROM HOUSING WITH ENGAGED LATCHES: ≥110N
- D. MATE ASSIST LEVER
  - a. INADVERTENT ACTUATION FORCE DURING SHIPPING, HANDLING OR PRE-ASSEMBLY: ≥190N

G53	UPDATED DRAWING TO INCLUDE ISO WIRE AND AWG WIRE HRNS CONN ASSEMBLY PART NUMBERS
G52	ADD NEW PIN CONFIGURATION 34566-8613 34566-8623
G51	ADD NEW PIN CONFIGURATION 34566-8563 34566-8573 34566-8583 34566-8593 34822-0183 34822-0193 34822-0203 34822-0213
G50	ADD NEW PIN CONFIGURATION 34566-8543 34566-8553
G49	ADD NEW PIN CONFIGURATION 34566-8443 34566-8453 34566-8463 34566-8473 34566-8483 34566-8493 34566-8513 34566-8523 34566-8533
G48	ADD NEW PIN CONFIGURATION 34566-8393 34566-8413 34566-8423 34566-8433
G47	SHEETS SEQUENCE ARE CORRECTED
G46	ADD NEW PIN CONFIGURATION 34566-8223 34566-8233 34566-8243 34566-8253 34566-8263 34566-8273 34566-8283 34566-8293 34566-8313 34566-8323 34566-8333 34566-8343 34566-8353 34566-8363 34566-8373 34566-8383
G45	NX RE-MASTERING
G44	ADD NEW PIN CONFIGURATION 34566-8173
G43	ADD NEW PIN CONFIGURATION 34566-8163 34566-2493 SAME AS P/N 34566-3863
G42	ADD PART NUMBERS 34566-8153
G41	CHANGED THE GM PART NUMBER IN SHEET 5
G40	ADD PART NUMBERS 34566-8123 34566-8133 34566-8143
REV	DESCRIPTION



THIS DRAWING CONTAINS INFORMATION THAT IS PROPRIETARY TO MOLEX ELECTRONIC TECHNOLOGIES, LLC AND SHOULD NOT BE USED WITHOUT WRITTEN PERMISSION

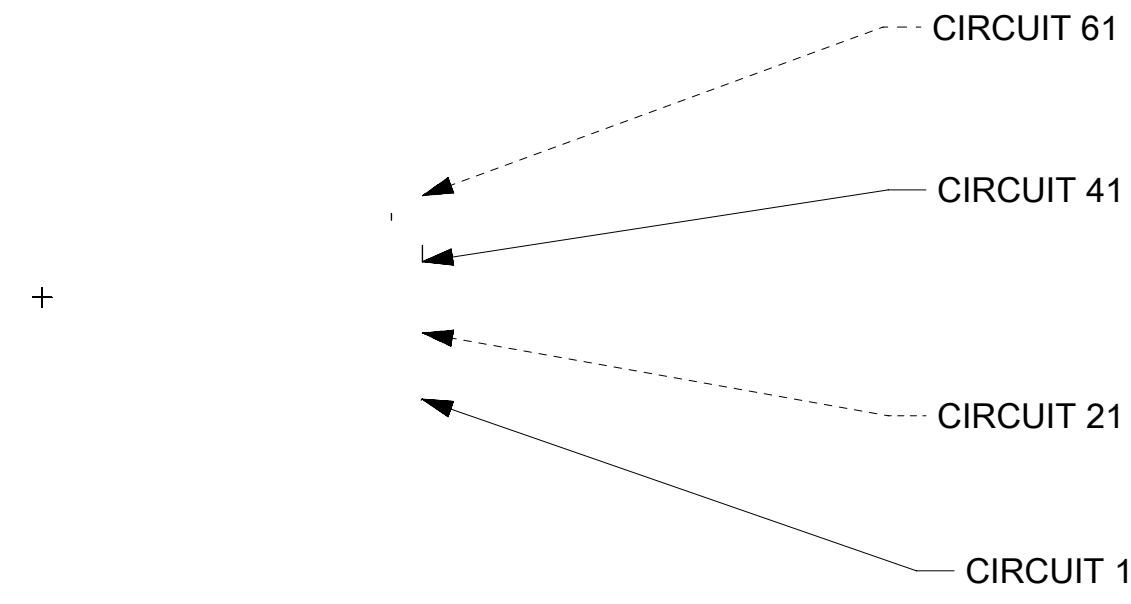
EC NO: 120083 DRWN: APODDATURI CHKD: REV APPR: VKOSHY	2017/07/13	2017/08/08	GENERAL TOLERANCES (UNLESS SPECIFIED)	DIMENSION UNITS	SCALE		
			ANGULAR TOL ± °	MM	2:1		
			4 PLACES ±	DRWN BY	DATE		
			3 PLACES ±	SKRAJENDRANA	2011/02/14		
		2 PLACES ±	CHKD BY	DATE	MX123 66/73/80CKT HRNS CONN ASSY  PRODUCT CUSTOMER DRAWING		
		1 PLACE ±	MVANSLAMBROU	2011/02/14			
		0 PLACES ±	APPR BY	DATE			
			SKRAJENDRANA	2016/08/22			
		DRAFT WHERE APPLICABLE MUST REMAIN WITHIN DIMENSIONS	DRAWING SIZE	THIRD ANGLE PROJECTION	SERIES	MATERIAL NUMBER	CUSTOMER
			D		34566	SEE BOM TABLE	GENERAL MARKET
					DOCUMENT NUMBER	DOC TYPE	DOC PART SHEET NUMBER
					G55	PSD	000 1 OF 98

RELEASE STATUS	RELEASE DATE	19	18	17	16	15	14	13	12	11	10	9	8	7	6	5	4	3	2	1
----------------	--------------	----	----	----	----	----	----	----	----	----	----	---	---	---	---	---	---	---	---	---

# 80 CKT

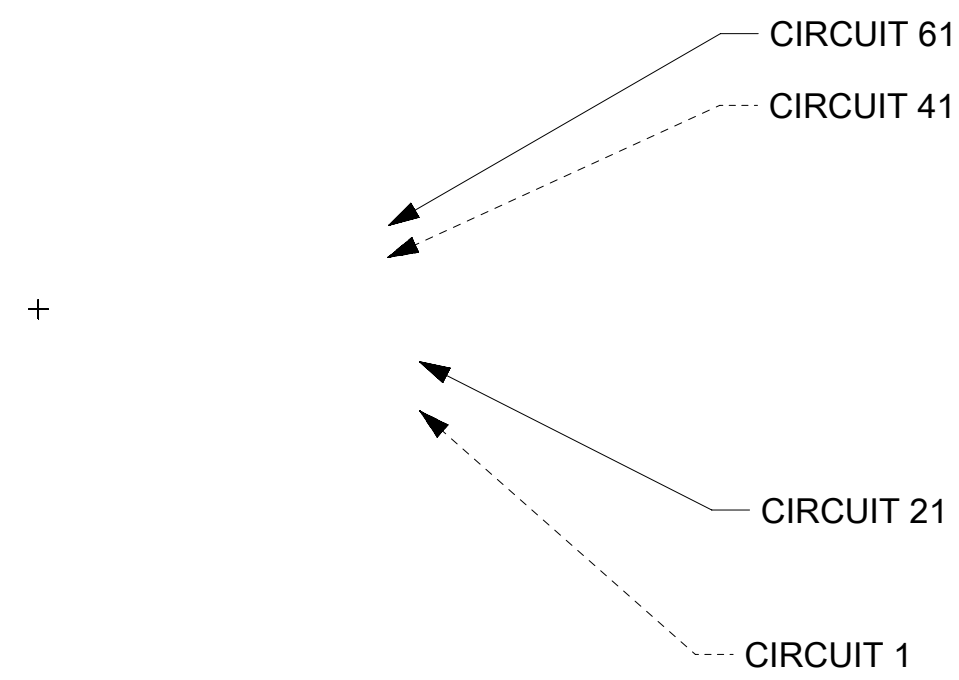
HOUSING ONLY, SHOWN FOR CLARITY

WIRE DRESS OPTION 0



KEY G                      KEY H                      KEY J                      KEY K                      KEY L                      KEY M

WIRE DRESS OPTION 9



KEY G                      KEY H                      KEY J                      KEY K                      KEY L                      KEY M

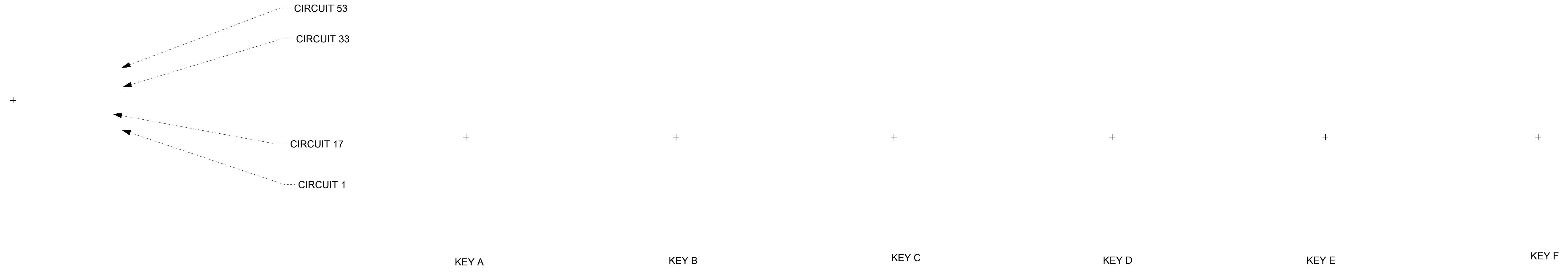
PRE-RELEASE  
REFERENCE  
USE ONLY

THIS DRAWING CONTAINS INFORMATION THAT IS PROPRIETARY TO MOLEX ELECTRONIC TECHNOLOGIES, LLC AND SHOULD NOT BE USED WITHOUT WRITTEN PERMISSION

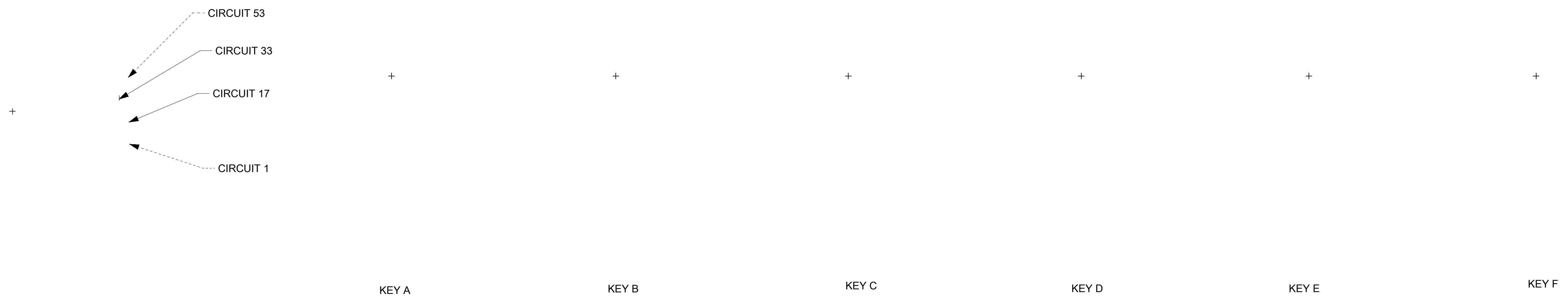
EC NO: 120083 DRWN: APODDATURI CHK'D: REV APPR: VKOSHY	2017/07/13	GENERAL TOLERANCES (UNLESS SPECIFIED)	DIMENSION UNITS	SCALE		
	2017/08/08	ANGULAR TOL ± °	MM	1.5:1		
	4 PLACES ±	DRWN BY	DATE	SKRAJENDRANA		2011/02/14
	3 PLACES ±	CHK'D BY	DATE	MVANSLAMBROU		2011/02/14
	2 PLACES ±	APPR BY	DATE	SKRAJENDRANA		2016/08/22
	1 PLACE ±	DRAWING SIZE	THIRD ANGLE PROJECTION	D		
0 PLACES ±	DRAFT WHERE APPLICABLE MUST REMAIN WITHIN DIMENSIONS					
G55		SERIES	MATERIAL NUMBER	CUSTOMER		
		34566	SEE BOM TABLE	GENERAL MARKET		
		DOCUMENT NUMBER	DOC TYPE	DOC PART	SHEET NUMBER	
		SD-34566-001	PSD	000	2 OF 98	

WIRE DRESS OPTION 0

HOUSING ONLY, SHOWN FOR CLARITY



WIRE DRESS OPTION 9



PRE-RELEASE  
REFERENCE  
USE ONLY

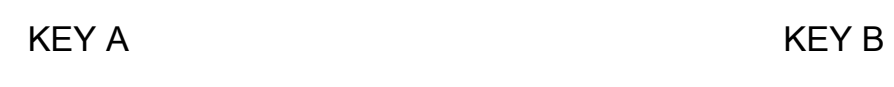
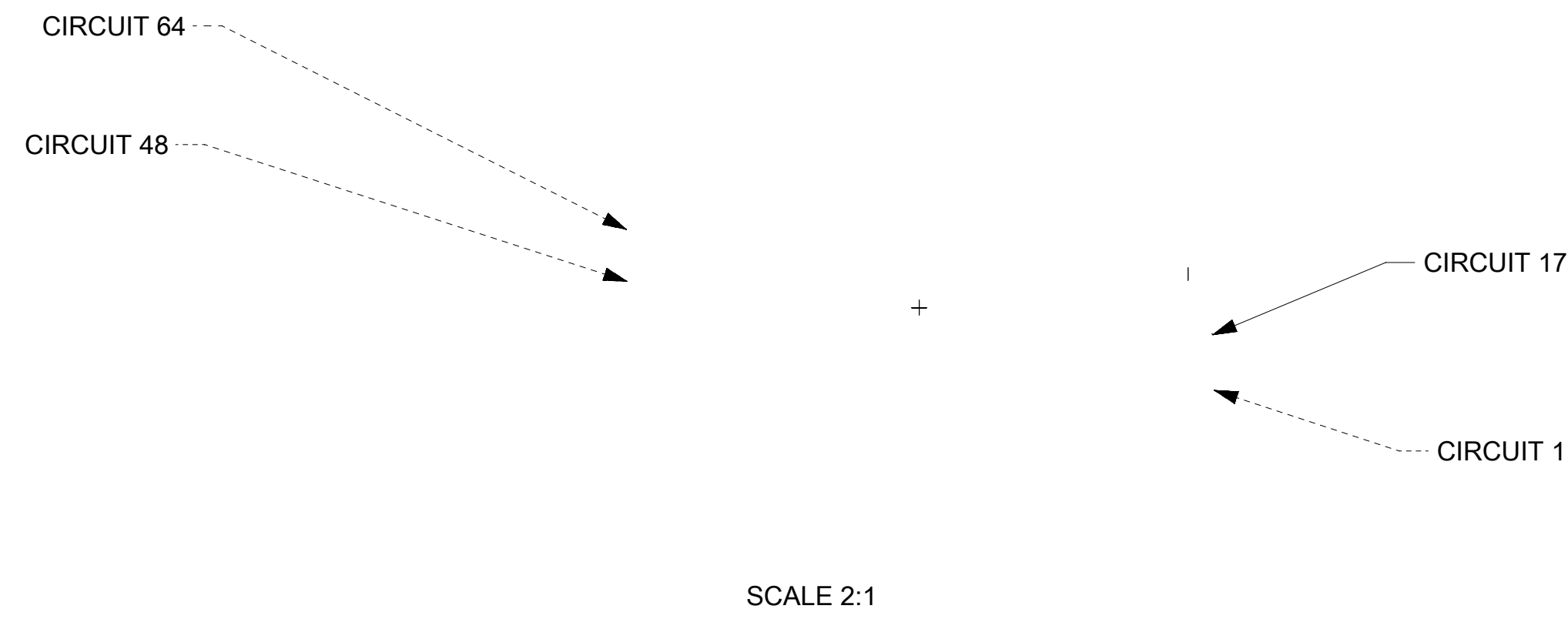
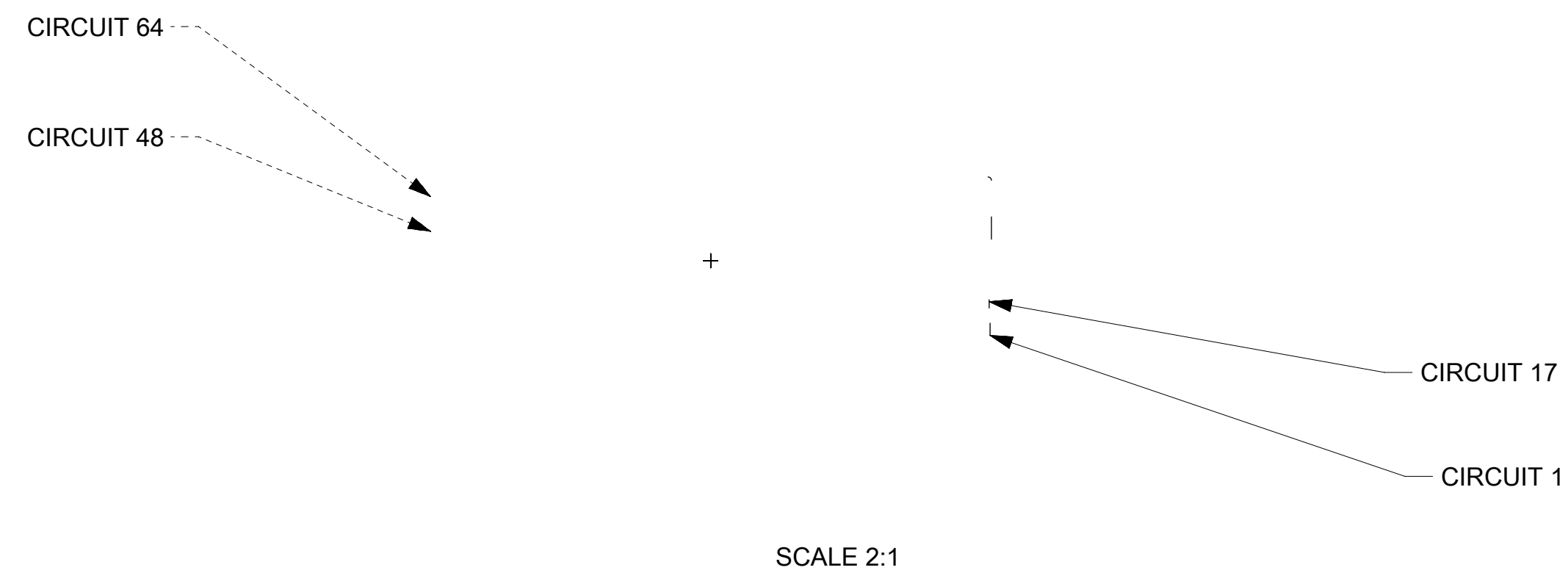
THIS DRAWING CONTAINS INFORMATION THAT IS PROPRIETARY TO MOLEX ELECTRONIC TECHNOLOGIES, LLC AND SHOULD NOT BE USED WITHOUT WRITTEN PERMISSION

EC NO: 120083 DRWN: APODDATURI CHK'D: REV APPR: VKOSHY	2017/07/13	GENERAL TOLERANCES (UNLESS SPECIFIED)	DIMENSION UNITS	SCALE				
	2017/08/08	ANGULAR TOL ± °	MM	1.5:1				
		4 PLACES ±	DRWN BY	DATE		MX123 66/73/80CKT HRNS CONN ASSY		
		3 PLACES ±	SKRAJENDRANA	2011/02/14				
		2 PLACES ±	CHK'D BY	DATE		PRODUCT CUSTOMER DRAWING		
		1 PLACE ±	MVANSLAMBROU	2011/02/14				
	0 PLACES ±	APPR BY	DATE	SERIES	MATERIAL NUMBER	CUSTOMER		
		DRAFT WHERE APPLICABLE MUST REMAIN WITHIN DIMENSIONS	DRAWING SIZE	THIRD ANGLE PROJECTION	34566	SEE BOM TABLE	GENERAL MARKET	
G55			D		DOCUMENT NUMBER	DOC TYPE	DOC PART	SHEET NUMBER
					SD-34566-001	PSD	000	3 OF 98

RELEASE STATUS	RELEASE DATE
19	18
17	16
15	14
13	12
11	10
9	8
7	6
5	4
3	2
1	

66 CKT

WIRE DRESS OPTION 0  
HOUSING ONLY, SHOWN FOR CLARITY



PRE-RELEASE  
REFERENCE  
USE ONLY

THIS DRAWING CONTAINS INFORMATION THAT IS PROPRIETARY TO MOLEX ELECTRONIC TECHNOLOGIES, LLC AND SHOULD NOT BE USED WITHOUT WRITTEN PERMISSION														
EC NO: 120083 DRWN: APODDATURI CHKD: REV APPR: VKOSHY	2017/07/13	GENERAL TOLERANCES (UNLESS SPECIFIED)	DIMENSION UNITS	SCALE										
	2017/08/08		MM	1.5:1										
			DRWN BY	DATE										
				ANGULAR TOL ± °	SKRAJENDRANA	2011/02/14	MX123 66/73/80CKT HRNS CONN ASSY							
			4 PLACES ±	CHKD BY	DATE									
			3 PLACES ±	MVANSLAMBROU	2011/02/14									
	2 PLACES ±	APPR BY	DATE	PRODUCT CUSTOMER DRAWING										
	1 PLACE ±	SKRAJENDRANA	2016/08/22											
	0 PLACES ±	DRAFT WHERE APPLICABLE MUST REMAIN WITHIN DIMENSIONS	DRAWING SIZE	THIRD ANGLE PROJECTION	SERIES	MATERIAL NUMBER	CUSTOMER							
G55			D		34566	SEE BOM TABLE	GENERAL MARKET	DOCUMENT NUMBER	DOC TYPE	DOC PART	SHEET NUMBER			
					SD-34566-001	PSD	000				4 OF 98			

RELEASE STATUS	RELEASE DATE
19	18









# ISO WIRE HRNS ASSY TABLE

TESTED	HRNS ASSY				HRNS CONN ASSY MATERIAL #	DRESS COVER MATERIAL #	GROMMET CAP MATERIAL #	MX64 WIRE ASSY PER E-33468-001						2.8mm YESC SEALED FEMALE TERMINAL TIN					TY-RAP QTY	RUBBER BAND QTY		
	MATERIAL #	CIRCUIT ID	KEY OPTION	WIRE DRESS OPTION				MATERIAL #	MATERIAL #	MATERIAL #	MATERIAL #	RCPT PLATING	WIRE SIZE # mm²	WIRE TYPE	PIGTAIL OR LOOPED	"LMX" IN METERS 10%	QTY	MATERIAL #			WIRE SIZE # mm²	WIRE TYPE
NO	2047789331	80	G	0	34566-0703	34565-0003	34571-0301	2047801003	Ag	0.35	ISO	PGTL	3	80	2047811003	2	ISO	PGTL	3	N/A	6	0
NO	2047789231	80	H	0	34566-0803	34565-0003	34571-0301	2047801003	Ag	0.35	ISO	PGTL	3	80	2047811003	2	ISO	PGTL	3	N/A	6	0
NO	2047789332	80	G	0	34566-0703	34565-0003	34571-0301	2047802003	Ag	0.50	ISO	PGTL	3	80	2047811003	2	ISO	PGTL	3	N/A	6	0
NO	2047789232	80	H	0	34566-0803	34565-0003	34571-0301	2047802003	Ag	0.50	ISO	PGTL	3	80	2047811003	2	ISO	PGTL	3	N/A	6	0
NO	2047789333	80	G	0	34566-0703	34565-0003	34571-0301	2047803003	Ag	0.75	ISO	PGTL	3	80	2047811003	2	ISO	PGTL	3	N/A	6	0
NO	2047789233	80	H	0	34566-0803	34565-0003	34571-0301	2047803003	Ag	0.75	ISO	PGTL	3	80	2047811003	2	ISO	PGTL	3	N/A	6	0
NO	2047799311	80	G	0	34566-0703	34565-0003	34571-0301	2047801101	Ag	0.35	ISO	LPD	1	80	2047811101	2	ISO	LPD	1	N/A	3	0
NO	2047799211	80	H	0	34566-0803	34565-0003	34571-0301	2047801101	Ag	0.35	ISO	LPD	1	80	2047811101	2	ISO	LPD	1	N/A	3	0
NO	2047799312	80	G	0	34566-0703	34565-0003	34571-0301	2047802101	Ag	0.50	ISO	LPD	1	80	2047811101	2	ISO	LPD	1	N/A	3	0
NO	2047799212	80	H	0	34566-0803	34565-0003	34571-0301	2047802101	Ag	0.50	ISO	LPD	1	80	2047811101	2	ISO	LPD	1	N/A	3	0
NO	2047799313	80	G	0	34566-0703	34565-0003	34571-0301	2047803101	Ag	0.75	ISO	LPD	1	80	2047811101	2	ISO	LPD	1	N/A	3	0
NO	2047799213	80	H	0	34566-0803	34565-0003	34571-0301	2047803101	Ag	0.75	ISO	LPD	1	80	2047811101	2	ISO	LPD	1	N/A	3	0
NO	2047789931	66	A	0	34822-0013	34565-0003	34822-5011	2047801003	Ag	0.35	ISO	PGTL	3	64	2047811003	2	ISO	PGTL	3	2	6	0
NO	2047789731	66	C	0	34822-0033	34565-0003	34822-5011	2047801003	Ag	0.35	ISO	PGTL	3	64	2047811003	2	ISO	PGTL	3	2	6	0
NO	2047789932	66	A	0	34822-0013	34565-0003	34822-5011	2047802003	Ag	0.50	ISO	PGTL	3	64	2047811003	2	ISO	PGTL	3	2	6	0
NO	2047789732	66	C	0	34822-0033	34565-0003	34822-5011	2047802003	Ag	0.50	ISO	PGTL	3	64	2047811003	2	ISO	PGTL	3	2	6	0
NO	2047789933	66	A	0	34822-0013	34565-0003	34822-5011	2047803003	Ag	0.75	ISO	PGTL	3	64	2047811003	2	ISO	PGTL	3	2	6	0
NO	2047789733	66	C	0	34822-0033	34565-0003	34822-5011	2047803003	Ag	0.75	ISO	PGTL	3	64	2047811003	2	ISO	PGTL	3	2	6	0
NO	2047799911	66	A	0	34822-0013	34565-0003	34822-5011	2047801101	Ag	0.35	ISO	LPD	1	64	2047811101	2	ISO	LPD	1	2	3	0
NO	2047799711	66	C	0	34822-0033	34565-0003	34822-5011	2047801101	Ag	0.35	ISO	LPD	1	64	2047811101	2	ISO	LPD	1	2	3	0
NO	2047799912	66	A	0	34822-0013	34565-0003	34822-5011	2047802101	Ag	0.50	ISO	LPD	1	64	2047811101	2	ISO	LPD	1	2	3	0
NO	2047799712	66	C	0	34822-0033	34565-0003	34822-5011	2047802101	Ag	0.50	ISO	LPD	1	64	2047811101	2	ISO	LPD	1	2	3	0
NO	2047799913	66	A	0	34822-0013	34565-0003	34822-5011	2047803101	Ag	0.75	ISO	LPD	1	64	2047811101	2	ISO	LPD	1	2	3	0
NO	2047799713	66	C	0	34822-0033	34565-0003	34822-5011	2047803101	Ag	0.75	ISO	LPD	1	64	2047811101	2	ISO	LPD	1	2	3	0

PRE-RELEASE  
REFERENCE  
USE ONLY

THIS DRAWING CONTAINS INFORMATION THAT IS PROPRIETARY TO MOLEX ELECTRONIC TECHNOLOGIES, LLC AND SHOULD NOT BE USED WITHOUT WRITTEN PERMISSION


EC NO: 120083 DRWN: APODDATURI CHKD: REV APPR: VKOSHY	2017/07/13 2017/08/08	GENERAL TOLERANCES (UNLESS SPECIFIED) DIMENSION UNITS: MM SCALE: DRWN BY: DATE: 2016/05/06 ANGULAR TOL ± ° 4 PLACES ± 3 PLACES ± 2 PLACES ± 1 PLACE ± 0 PLACES ± DRAFT WHERE APPLICABLE MUST REMAIN WITHIN DIMENSIONS	TYE DATE: 2017/07/13 APODDATURI DATE: 2016/08/22 SKRAJENDRANA THIRD ANGLE PROJECTION	<p>MX123 66/73/80CKT HRNS CONN ASSY</p> <p>PRODUCT CUSTOMER DRAWING</p> <p>SERIES: 34566 MATERIAL NUMBER: CUSTOMER: GENERAL MARKET</p> <p>DOCUMENT NUMBER: SD-34566-001 DOC TYPE: PSD DOC PART: 000 SHEET NUMBER: 8 OF 98</p>
----------------------------------------------------------------	--------------------------	--------------------------------------------------------------------------------------------------------------------------------------------------------------------------------------------------------------------------------------------------------	-----------------------------------------------------------------------------------------------------	-----------------------------------------------------------------------------------------------------------------------------------------------------------------------------------------------------------------------------------

STATUS	GM PART #	MATERIAL #	WIRE DRESS OPTION	KEY OPTION	COLOR (TPA)	NUMBERS INDICATE CAVITIES OPEN FOR CIRCUITS																																																																																																																					
						<table border="1"> <tr><td>72</td><td>71</td><td>70</td><td>69</td><td>68</td><td>67</td><td>66</td><td>65</td><td>64</td><td>63</td><td>62</td><td>61</td><td>60</td><td>59</td><td>58</td><td>57</td><td>56</td><td>55</td><td>54</td><td>53</td><td>52</td><td>51</td><td>50</td><td>49</td><td>48</td><td>47</td><td>46</td><td>45</td><td>44</td><td>43</td><td>42</td><td>41</td><td>40</td><td>39</td><td>38</td><td>37</td><td>36</td><td>35</td><td>34</td><td>33</td></tr> <tr><td colspan="4">73</td><td>32</td><td>31</td><td>30</td><td>29</td><td>28</td><td>27</td><td>26</td><td>25</td><td>24</td><td>23</td><td>22</td><td>21</td><td>20</td><td>19</td><td>18</td><td>17</td><td colspan="10"></td></tr> <tr><td colspan="4">73</td><td>16</td><td>15</td><td>14</td><td>13</td><td>12</td><td>11</td><td>10</td><td>9</td><td>8</td><td>7</td><td>6</td><td>5</td><td>4</td><td>3</td><td>2</td><td>1</td><td colspan="10"></td></tr> </table>																								72	71	70	69	68	67	66	65	64	63	62	61	60	59	58	57	56	55	54	53	52	51	50	49	48	47	46	45	44	43	42	41	40	39	38	37	36	35	34	33	73				32	31	30	29	28	27	26	25	24	23	22	21	20	19	18	17											73				16	15	14	13	12	11	10	9	8	7	6	5	4	3	2	1				
72	71	70	69	68	67	66	65	64	63	62	61	60	59	58	57	56	55	54	53	52	51	50	49	48	47	46	45	44	43	42	41	40	39	38	37	36	35	34	33																																																																																				
73				32	31	30	29	28	27	26	25	24	23	22	21	20	19	18	17																																																																																																								
73				16	15	14	13	12	11	10	9	8	7	6	5	4	3	2	1																																																																																																								
(G41) AVAILABLE	12672860	34566-0103	0	A	BLACK																																																																																																																						
(G41) AVAILABLE	12672862	34566-0203	0	B	ST GRY																																																																																																																						
(G41) AVAILABLE	12672864	34566-0303	0	C	BLUE																																																																																																																						
ACTIVE	12615660	34566-0403	0	D	BROWN																																																																																																																						
ACTIVE	12615661	34566-0503	0	E	GREEN																																																																																																																						
(G41) AVAILABLE	12672866	34566-0603	0	F	NATURAL																																																																																																																						
(G41) AVAILABLE	12672872	34566-0703	0	G	BLUE																																																																																																																						
(G41) AVAILABLE	12672870	34566-0803	0	H	ST GRY																																																																																																																						
(G41) ACTIVE	12672868	34566-0903	0	J	BLACK																																																																																																																						
ACTIVE	TBD	34566-1003	0	K	BROWN																																																																																																																						
ACTIVE	TBD	34566-1103	0	L	GREEN																																																																																																																						
ACTIVE	TBD	34566-1203	0	M	NATURAL																																																																																																																						
(G41) AVAILABLE	12672861	34566-1303	9	A	BLACK																																																																																																																						
(G41) AVAILABLE	12672863	34566-1403	9	B	ST GRY																																																																																																																						
(G41) AVAILABLE	12672865	34566-1503	9	C	BLUE																																																																																																																						
ACTIVE	12615663	34566-1603	9	D	BROWN																																																																																																																						
ACTIVE	12615664	34566-1703	9	E	GREEN																																																																																																																						
(G41) AVAILABLE	12672867	34566-1803	9	F	NATURAL																																																																																																																						
(G41) AVAILABLE	12672873	34566-1903	9	G	BLUE																																																																																																																						
(G41) AVAILABLE	12672871	34566-2003	9	H	ST GRY																																																																																																																						
(G41) ACTIVE	12672869	34566-2103	9	J	BLACK																																																																																																																						
ACTIVE	TBD	34566-2203	9	K	BROWN																																																																																																																						
ACTIVE	TBD	34566-2303	9	L	GREEN																																																																																																																						
ACTIVE	TBD	34566-2403	9	M	NATURAL																																																																																																																						
(G41) AVAILABLE	12672856	34822-0013	0	A	BLACK																																																																																																																						
(G41) AVAILABLE	12672858	34822-0033	0	C	BLUE																																																																																																																						
(G41) AVAILABLE	12672857	34822-0023	9	A	BLACK																																																																																																																						
(G41) AVAILABLE	12672859	34822-0043	9	C	BLUE																																																																																																																						
N/A	N/A	N/A	N/A	N/A	N/A																																																																																																																						
AVAILABLE	NOT APPLICABLE	34566-2503	0	A	BLACK																																																																																																																						

SEE NEXT PAGE FOR ADDITIONAL NUMBERS

PRE-RELEASE REFERENCE USE ONLY

THIS DRAWING CONTAINS INFORMATION THAT IS PROPRIETARY TO MOLEX ELECTRONIC TECHNOLOGIES, LLC AND SHOULD NOT BE USED WITHOUT WRITTEN PERMISSION

EC NO: 120093 DRWN: APODDATURI CHKD: REV APPR: VKOSHY	2017/07/13	GENERAL TOLERANCES (UNLESS SPECIFIED)	DIMENSION UNITS	SCALE		
	2017/08/08	ANGULAR TOL ± °	MM	1:1		
		4 PLACES ±	DRWN BY	DATE		SKRAJENDRANA 2011/02/14
		3 PLACES ±	CHKD BY	DATE		MVANSLAMBROU 2011/02/14
		2 PLACES ±	APPR BY	DATE		
	1 PLACE ±	DRAWING SIZE		THIRD ANGLE PROJECTION	PRODUCT CUSTOMER DRAWING SERIES: 34566 MATERIAL NUMBER: SEE BOM TABLE CUSTOMER: GENERAL MARKET	
	0 PLACES ±	DRAFT WHERE APPLICABLE MUST REMAIN WITHIN DIMENSIONS		D		
G55		DOCUMENT NUMBER	DOC TYPE	DOC PART	SHEET NUMBER	
		SD-34566-001	PSD	000	9 OF 98	





STATUS	GM PART #	MATERIAL #	WIRE DRESS OPTION	KEY OPTION	COLOR (TPA)	NUMBERS INDICATE CAVITIES OPEN FOR CIRCUITS																																																																																
AVAILABLE	NOT APPLICABLE	34566-4403	0	A	BLACK	<table border="1"> <tr><td>72</td><td>71</td><td>70</td><td>69</td><td>68</td><td>67</td><td>66</td><td>65</td><td>64</td><td>63</td><td></td><td>61</td><td></td><td>59</td><td>58</td><td>57</td><td>56</td><td></td><td></td><td></td></tr> <tr><td></td><td></td><td>50</td><td>49</td><td>48</td><td>47</td><td></td><td></td><td></td><td></td><td></td><td>41</td><td></td><td></td><td>38</td><td>37</td><td>36</td><td></td><td>34</td><td>33</td></tr> <tr><td colspan="4">73</td><td>32</td><td>31</td><td>30</td><td>29</td><td>28</td><td>27</td><td></td><td></td><td>24</td><td>23</td><td></td><td>20</td><td>19</td><td>18</td><td></td><td></td></tr> <tr><td colspan="4"></td><td>16</td><td></td><td></td><td>13</td><td>12</td><td>11</td><td>10</td><td>9</td><td></td><td></td><td>6</td><td></td><td>4</td><td></td><td></td><td></td></tr> </table>	72	71	70	69	68	67	66	65	64	63		61		59	58	57	56						50	49	48	47						41			38	37	36		34	33	73				32	31	30	29	28	27			24	23		20	19	18							16			13	12	11	10	9			6		4			
72	71	70	69	68	67	66	65	64	63		61		59	58	57	56																																																																						
		50	49	48	47						41			38	37	36		34	33																																																																			
73				32	31	30	29	28	27			24	23		20	19	18																																																																					
				16			13	12	11	10	9			6		4																																																																						
AVAILABLE	NOT APPLICABLE	34566-4503	0	H	ST GRY	<table border="1"> <tr><td></td><td>79</td><td>78</td><td>77</td><td>76</td><td>75</td><td>74</td><td>73</td><td>72</td><td>71</td><td>70</td><td>69</td><td>68</td><td></td><td>66</td><td>65</td><td>64</td><td>63</td><td></td><td>61</td></tr> <tr><td>60</td><td>59</td><td>58</td><td>57</td><td>56</td><td></td><td></td><td>53</td><td></td><td></td><td>50</td><td></td><td></td><td></td><td></td><td></td><td>44</td><td>43</td><td></td><td>41</td></tr> <tr><td>40</td><td>39</td><td>38</td><td>37</td><td></td><td>35</td><td>34</td><td>33</td><td>32</td><td></td><td>30</td><td>29</td><td></td><td>27</td><td>26</td><td></td><td>24</td><td>23</td><td>22</td><td>21</td></tr> <tr><td>20</td><td>19</td><td>18</td><td>17</td><td></td><td></td><td></td><td>13</td><td>12</td><td>11</td><td></td><td></td><td>8</td><td></td><td>6</td><td>5</td><td></td><td>3</td><td>2</td><td></td></tr> </table>		79	78	77	76	75	74	73	72	71	70	69	68		66	65	64	63		61	60	59	58	57	56			53			50						44	43		41	40	39	38	37		35	34	33	32		30	29		27	26		24	23	22	21	20	19	18	17				13	12	11			8		6	5		3	2	
	79	78	77	76	75	74	73	72	71	70	69	68		66	65	64	63		61																																																																			
60	59	58	57	56			53			50						44	43		41																																																																			
40	39	38	37		35	34	33	32		30	29		27	26		24	23	22	21																																																																			
20	19	18	17				13	12	11			8		6	5		3	2																																																																				
AVAILABLE	NOT APPLICABLE	34566-4603	0	H	ST GRY	<table border="1"> <tr><td></td><td>79</td><td>78</td><td>77</td><td>76</td><td>75</td><td>74</td><td>73</td><td>72</td><td>71</td><td>70</td><td>69</td><td>68</td><td></td><td>66</td><td>65</td><td>64</td><td>63</td><td></td><td>61</td></tr> <tr><td>60</td><td>59</td><td>58</td><td>57</td><td>56</td><td></td><td></td><td>53</td><td></td><td></td><td>50</td><td></td><td></td><td></td><td></td><td></td><td>44</td><td>43</td><td></td><td>41</td></tr> <tr><td>40</td><td>39</td><td>38</td><td>37</td><td></td><td>35</td><td>34</td><td>33</td><td>32</td><td></td><td>30</td><td>29</td><td></td><td>27</td><td>26</td><td></td><td>24</td><td>23</td><td>22</td><td>21</td></tr> <tr><td>20</td><td>19</td><td>18</td><td>17</td><td></td><td></td><td></td><td>13</td><td>12</td><td></td><td></td><td></td><td>8</td><td></td><td>6</td><td>5</td><td></td><td>3</td><td>2</td><td></td></tr> </table>		79	78	77	76	75	74	73	72	71	70	69	68		66	65	64	63		61	60	59	58	57	56			53			50						44	43		41	40	39	38	37		35	34	33	32		30	29		27	26		24	23	22	21	20	19	18	17				13	12				8		6	5		3	2	
	79	78	77	76	75	74	73	72	71	70	69	68		66	65	64	63		61																																																																			
60	59	58	57	56			53			50						44	43		41																																																																			
40	39	38	37		35	34	33	32		30	29		27	26		24	23	22	21																																																																			
20	19	18	17				13	12				8		6	5		3	2																																																																				
AVAILABLE	NOT APPLICABLE	34566-4703	0	B	ST GRY	<table border="1"> <tr><td></td><td></td><td></td><td></td><td></td><td>67</td><td>66</td><td>65</td><td>64</td><td></td><td></td><td></td><td></td><td></td><td>59</td><td>58</td><td>57</td><td></td><td>55</td><td>53</td></tr> <tr><td></td><td></td><td></td><td>49</td><td>48</td><td>47</td><td></td><td></td><td>44</td><td></td><td></td><td></td><td></td><td></td><td>39</td><td>38</td><td>37</td><td></td><td>35</td><td>33</td></tr> <tr><td colspan="4">73</td><td></td><td></td><td></td><td></td><td>29</td><td></td><td></td><td></td><td></td><td>23</td><td>22</td><td>21</td><td></td><td></td><td></td><td></td></tr> <tr><td colspan="4"></td><td></td><td></td><td></td><td></td><td>12</td><td></td><td></td><td>9</td><td></td><td>7</td><td></td><td></td><td></td><td></td><td></td><td></td></tr> </table>						67	66	65	64						59	58	57		55	53				49	48	47			44						39	38	37		35	33	73								29					23	22	21													12			9		7						
					67	66	65	64						59	58	57		55	53																																																																			
			49	48	47			44						39	38	37		35	33																																																																			
73								29					23	22	21																																																																							
								12			9		7																																																																									
AVAILABLE	NOT APPLICABLE	34566-4803	0	A	BLACK	<table border="1"> <tr><td>72</td><td>71</td><td></td><td>69</td><td>68</td><td>67</td><td>66</td><td></td><td>64</td><td>63</td><td>62</td><td>61</td><td></td><td>59</td><td></td><td></td><td></td><td></td><td></td><td>53</td></tr> <tr><td></td><td></td><td></td><td></td><td>48</td><td></td><td></td><td></td><td>44</td><td>43</td><td>42</td><td>41</td><td></td><td>39</td><td></td><td></td><td></td><td>35</td><td></td><td>33</td></tr> <tr><td colspan="4">73</td><td>32</td><td></td><td></td><td>29</td><td></td><td>27</td><td></td><td>25</td><td>23</td><td></td><td></td><td></td><td></td><td></td><td></td><td>17</td></tr> <tr><td colspan="4"></td><td></td><td></td><td></td><td>13</td><td>12</td><td>11</td><td></td><td>9</td><td>8</td><td></td><td></td><td>5</td><td>4</td><td>3</td><td>2</td><td>1</td></tr> </table>	72	71		69	68	67	66		64	63	62	61		59						53					48				44	43	42	41		39				35		33	73				32			29		27		25	23							17								13	12	11		9	8			5	4	3	2	1
72	71		69	68	67	66		64	63	62	61		59						53																																																																			
				48				44	43	42	41		39				35		33																																																																			
73				32			29		27		25	23							17																																																																			
							13	12	11		9	8			5	4	3	2	1																																																																			
AVAILABLE	NOT APPLICABLE	34566-4903	0	A	BLACK	<table border="1"> <tr><td>72</td><td>71</td><td>70</td><td>69</td><td>68</td><td></td><td>66</td><td>65</td><td>64</td><td>63</td><td>62</td><td>61</td><td></td><td>59</td><td>58</td><td>57</td><td>56</td><td>55</td><td></td><td></td></tr> <tr><td>52</td><td>51</td><td>50</td><td>49</td><td></td><td>47</td><td></td><td></td><td>44</td><td>43</td><td>42</td><td>41</td><td></td><td></td><td>38</td><td>37</td><td>36</td><td>35</td><td>34</td><td>33</td></tr> <tr><td colspan="4">73</td><td>32</td><td>31</td><td>30</td><td>29</td><td>28</td><td>27</td><td></td><td></td><td>24</td><td>23</td><td></td><td></td><td>20</td><td>19</td><td>18</td><td>17</td></tr> <tr><td colspan="4"></td><td>16</td><td>15</td><td>14</td><td>13</td><td>12</td><td>11</td><td>10</td><td>9</td><td></td><td></td><td></td><td></td><td></td><td></td><td>2</td><td>1</td></tr> </table>	72	71	70	69	68		66	65	64	63	62	61		59	58	57	56	55			52	51	50	49		47			44	43	42	41			38	37	36	35	34	33	73				32	31	30	29	28	27			24	23			20	19	18	17					16	15	14	13	12	11	10	9							2	1
72	71	70	69	68		66	65	64	63	62	61		59	58	57	56	55																																																																					
52	51	50	49		47			44	43	42	41			38	37	36	35	34	33																																																																			
73				32	31	30	29	28	27			24	23			20	19	18	17																																																																			
				16	15	14	13	12	11	10	9							2	1																																																																			
AVAILABLE	NOT APPLICABLE	34566-5003	0	H	ST GRY	<table border="1"> <tr><td></td><td>79</td><td>78</td><td>77</td><td>76</td><td>75</td><td>74</td><td>73</td><td>72</td><td>71</td><td>70</td><td>69</td><td>68</td><td></td><td>66</td><td>65</td><td>64</td><td>63</td><td></td><td>61</td></tr> <tr><td>60</td><td>59</td><td>58</td><td>57</td><td>56</td><td></td><td></td><td>53</td><td>52</td><td></td><td>50</td><td></td><td></td><td></td><td></td><td></td><td>44</td><td>43</td><td></td><td>41</td></tr> <tr><td>40</td><td>39</td><td>38</td><td>37</td><td></td><td>35</td><td>34</td><td>33</td><td>32</td><td></td><td>30</td><td>29</td><td></td><td>27</td><td>26</td><td></td><td></td><td></td><td>22</td><td>21</td></tr> <tr><td>20</td><td>19</td><td>18</td><td>17</td><td>16</td><td></td><td>14</td><td>13</td><td>12</td><td>11</td><td>10</td><td>9</td><td>8</td><td></td><td>6</td><td>5</td><td></td><td>3</td><td>2</td><td></td></tr> </table>		79	78	77	76	75	74	73	72	71	70	69	68		66	65	64	63		61	60	59	58	57	56			53	52		50						44	43		41	40	39	38	37		35	34	33	32		30	29		27	26				22	21	20	19	18	17	16		14	13	12	11	10	9	8		6	5		3	2	
	79	78	77	76	75	74	73	72	71	70	69	68		66	65	64	63		61																																																																			
60	59	58	57	56			53	52		50						44	43		41																																																																			
40	39	38	37		35	34	33	32		30	29		27	26				22	21																																																																			
20	19	18	17	16		14	13	12	11	10	9	8		6	5		3	2																																																																				
AVAILABLE	NOT APPLICABLE	34566-5103	0	B	ST GRY	<table border="1"> <tr><td></td><td></td><td></td><td></td><td></td><td>67</td><td>66</td><td>65</td><td></td><td></td><td></td><td></td><td></td><td></td><td>59</td><td>57</td><td>55</td><td></td><td>53</td></tr> <tr><td></td><td></td><td></td><td>49</td><td>48</td><td>47</td><td>46</td><td></td><td>44</td><td></td><td></td><td></td><td></td><td></td><td>39</td><td>37</td><td>35</td><td></td><td>33</td></tr> <tr><td colspan="4">73</td><td></td><td></td><td></td><td></td><td>29</td><td>28</td><td></td><td></td><td></td><td>23</td><td>21</td><td></td><td></td><td></td><td></td><td></td></tr> <tr><td colspan="4"></td><td></td><td></td><td></td><td></td><td></td><td></td><td></td><td></td><td>7</td><td></td><td></td><td></td><td></td><td></td><td></td><td></td></tr> </table>						67	66	65							59	57	55		53				49	48	47	46		44						39	37	35		33	73								29	28				23	21																		7									
					67	66	65							59	57	55		53																																																																				
			49	48	47	46		44						39	37	35		33																																																																				
73								29	28				23	21																																																																								
												7																																																																										

SEE NEXT PAGE FOR ADDITIONAL NUMBERS


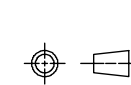


THIS DRAWING CONTAINS INFORMATION THAT IS PROPRIETARY TO MOLEX ELECTRONIC TECHNOLOGIES, LLC AND SHOULD NOT BE USED WITHOUT WRITTEN PERMISSION									
EC NO: 120093 DRWN: APODDATURI CHKD: REV APPR: VKOSHY	2017/07/13	GENERAL TOLERANCES (UNLESS SPECIFIED)		DIMENSION UNITS	SCALE				
	2017/08/08	ANGULAR TOL ± °		MM	1:1				
		4 PLACES ±	SKRAJENDRANA		DATE	MX123 66/73/80CKT HRNS CONN ASSY			
		3 PLACES ±	MVANSLAMBROU		2011/02/14				
		2 PLACES ±	DATE		PRODUCT CUSTOMER DRAWING				
		1 PLACE ±	DATE						
	0 PLACES ±	DATE		SERIES		MATERIAL NUMBER		CUSTOMER	
DRAFT WHERE APPLICABLE MUST REMAIN WITHIN DIMENSIONS		D	THIRD ANGLE PROJECTION		34566	SEE BOM TABLE		GENERAL MARKET	
G55				DOCUMENT NUMBER		DOC TYPE		DOC PART SHEET NUMBER	
				SD-34566-001		PSD		000 12 OF 98	

STATUS	GM PART #	MATERIAL #	WIRE DRESS OPTION	KEY OPTION ▽	COLOR (TPA) ▽	NUMBERS INDICATE CAVITIES OPEN FOR CIRCUITS ▽																																																																																
AVAILABLE	NOT APPLICABLE	34566-5203	0	A	BLACK	<table border="1"> <tr><td>72</td><td>71</td><td></td><td>69</td><td>68</td><td>67</td><td>66</td><td></td><td>64</td><td>63</td><td>62</td><td></td><td></td><td>59</td><td>58</td><td>57</td><td>56</td><td></td><td>54</td><td>53</td></tr> <tr><td>52</td><td>51</td><td>50</td><td>49</td><td>48</td><td>47</td><td>46</td><td></td><td>44</td><td>43</td><td>42</td><td></td><td></td><td>39</td><td>38</td><td>37</td><td>36</td><td>35</td><td>34</td><td>33</td></tr> <tr><td colspan="3">73</td><td>32</td><td>31</td><td>30</td><td>29</td><td></td><td>27</td><td></td><td></td><td></td><td>24</td><td>23</td><td>22</td><td>21</td><td>20</td><td>19</td><td></td><td>17</td></tr> <tr><td colspan="3"></td><td>15</td><td>14</td><td>13</td><td>12</td><td>11</td><td></td><td>9</td><td>8</td><td>7</td><td>6</td><td>5</td><td>4</td><td>3</td><td>2</td><td>1</td><td></td><td></td></tr> </table>	72	71		69	68	67	66		64	63	62			59	58	57	56		54	53	52	51	50	49	48	47	46		44	43	42			39	38	37	36	35	34	33	73			32	31	30	29		27				24	23	22	21	20	19		17				15	14	13	12	11		9	8	7	6	5	4	3	2	1		
72	71		69	68	67	66		64	63	62			59	58	57	56		54	53																																																																			
52	51	50	49	48	47	46		44	43	42			39	38	37	36	35	34	33																																																																			
73			32	31	30	29		27				24	23	22	21	20	19		17																																																																			
			15	14	13	12	11		9	8	7	6	5	4	3	2	1																																																																					
AVAILABLE	NOT APPLICABLE	34566-5303	0	B	ST GRY	<table border="1"> <tr><td></td><td></td><td></td><td></td><td></td><td></td><td></td><td></td><td>65</td><td>64</td><td></td><td></td><td></td><td></td><td>59</td><td></td><td>57</td><td></td><td>55</td><td>53</td></tr> <tr><td></td><td></td><td>50</td><td>49</td><td>48</td><td></td><td>46</td><td></td><td></td><td></td><td></td><td></td><td></td><td>39</td><td>38</td><td>37</td><td></td><td>35</td><td>34</td><td>33</td></tr> <tr><td colspan="3">73</td><td>32</td><td></td><td></td><td>29</td><td></td><td></td><td></td><td></td><td></td><td>23</td><td>22</td><td>21</td><td></td><td></td><td></td><td></td><td></td></tr> <tr><td colspan="3"></td><td>15</td><td></td><td></td><td></td><td></td><td></td><td></td><td></td><td>7</td><td>6</td><td>5</td><td>4</td><td>3</td><td></td><td></td><td></td><td></td></tr> </table>									65	64					59		57		55	53			50	49	48		46							39	38	37		35	34	33	73			32			29						23	22	21									15								7	6	5	4	3				
								65	64					59		57		55	53																																																																			
		50	49	48		46							39	38	37		35	34	33																																																																			
73			32			29						23	22	21																																																																								
			15								7	6	5	4	3																																																																							
AVAILABLE	NOT APPLICABLE	34566-5403	0	B	ST GRY	<table border="1"> <tr><td></td><td></td><td></td><td></td><td></td><td></td><td></td><td></td><td>65</td><td></td><td></td><td></td><td></td><td></td><td>59</td><td>58</td><td>57</td><td>56</td><td>55</td><td>53</td></tr> <tr><td></td><td></td><td>50</td><td>49</td><td>48</td><td></td><td>46</td><td>45</td><td></td><td></td><td></td><td></td><td></td><td>39</td><td>38</td><td>37</td><td></td><td>35</td><td>34</td><td>33</td></tr> <tr><td colspan="3">73</td><td>32</td><td></td><td></td><td>29</td><td></td><td></td><td></td><td></td><td></td><td>23</td><td>22</td><td>21</td><td></td><td></td><td></td><td>18</td><td></td></tr> <tr><td colspan="3"></td><td>16</td><td>15</td><td>14</td><td></td><td></td><td></td><td></td><td></td><td>7</td><td>6</td><td>5</td><td>4</td><td>3</td><td></td><td></td><td></td><td></td></tr> </table>									65						59	58	57	56	55	53			50	49	48		46	45						39	38	37		35	34	33	73			32			29						23	22	21				18					16	15	14						7	6	5	4	3				
								65						59	58	57	56	55	53																																																																			
		50	49	48		46	45						39	38	37		35	34	33																																																																			
73			32			29						23	22	21				18																																																																				
			16	15	14						7	6	5	4	3																																																																							
AVAILABLE	NOT APPLICABLE	34566-5503	0	A	BLACK	<table border="1"> <tr><td>72</td><td>71</td><td></td><td>69</td><td>68</td><td>67</td><td>66</td><td></td><td>64</td><td>63</td><td>62</td><td></td><td></td><td>60</td><td>59</td><td></td><td></td><td></td><td></td><td></td></tr> <tr><td>52</td><td></td><td></td><td>49</td><td>48</td><td></td><td>46</td><td></td><td>44</td><td>43</td><td>42</td><td></td><td></td><td>40</td><td>39</td><td></td><td></td><td></td><td>35</td><td>33</td></tr> <tr><td colspan="3">73</td><td>32</td><td></td><td></td><td>29</td><td></td><td>27</td><td>26</td><td></td><td></td><td>24</td><td>23</td><td></td><td></td><td></td><td></td><td></td><td>17</td></tr> <tr><td colspan="3"></td><td></td><td></td><td>14</td><td>13</td><td>12</td><td>11</td><td>10</td><td>9</td><td>8</td><td>7</td><td>6</td><td>5</td><td>4</td><td>3</td><td>2</td><td>1</td><td></td></tr> </table>	72	71		69	68	67	66		64	63	62			60	59						52			49	48		46		44	43	42			40	39				35	33	73			32			29		27	26			24	23						17						14	13	12	11	10	9	8	7	6	5	4	3	2	1	
72	71		69	68	67	66		64	63	62			60	59																																																																								
52			49	48		46		44	43	42			40	39				35	33																																																																			
73			32			29		27	26			24	23						17																																																																			
					14	13	12	11	10	9	8	7	6	5	4	3	2	1																																																																				
AVAILABLE	NOT APPLICABLE	34566-5603	SEE 34566-2503																																																																																			
AVAILABLE	NOT APPLICABLE	34566-5703	0	B	ST GRY	<table border="1"> <tr><td></td><td></td><td></td><td></td><td>68</td><td></td><td></td><td></td><td></td><td></td><td></td><td></td><td></td><td>59</td><td></td><td>57</td><td></td><td>55</td><td>53</td></tr> <tr><td></td><td></td><td></td><td>49</td><td>48</td><td></td><td>46</td><td></td><td></td><td></td><td></td><td></td><td></td><td>39</td><td>37</td><td></td><td>35</td><td>33</td><td></td></tr> <tr><td colspan="3">73</td><td></td><td></td><td></td><td>29</td><td></td><td></td><td></td><td></td><td></td><td>23</td><td>21</td><td></td><td></td><td></td><td>18</td><td>17</td></tr> <tr><td colspan="3"></td><td></td><td></td><td></td><td>12</td><td>11</td><td>10</td><td></td><td></td><td>7</td><td></td><td></td><td></td><td></td><td></td><td></td><td></td></tr> </table>					68									59		57		55	53				49	48		46							39	37		35	33		73						29						23	21				18	17							12	11	10			7											
				68									59		57		55	53																																																																				
			49	48		46							39	37		35	33																																																																					
73						29						23	21				18	17																																																																				
						12	11	10			7																																																																											
AVAILABLE	NOT APPLICABLE	34566-5803	0	B	ST GRY	<table border="1"> <tr><td></td><td></td><td></td><td></td><td></td><td></td><td></td><td></td><td>65</td><td></td><td></td><td></td><td></td><td></td><td>59</td><td></td><td>57</td><td></td><td>55</td><td>53</td></tr> <tr><td></td><td></td><td></td><td>49</td><td>48</td><td>47</td><td></td><td></td><td></td><td></td><td></td><td></td><td></td><td>39</td><td>37</td><td></td><td>35</td><td>33</td><td></td></tr> <tr><td colspan="3">73</td><td></td><td></td><td></td><td>29</td><td></td><td></td><td></td><td></td><td></td><td>23</td><td>21</td><td></td><td></td><td></td><td></td><td>17</td></tr> <tr><td colspan="3"></td><td></td><td></td><td></td><td>12</td><td></td><td></td><td></td><td></td><td>7</td><td></td><td></td><td></td><td></td><td></td><td></td><td></td></tr> </table>									65						59		57		55	53				49	48	47								39	37		35	33		73						29						23	21					17							12					7										
								65						59		57		55	53																																																																			
			49	48	47								39	37		35	33																																																																					
73						29						23	21					17																																																																				
						12					7																																																																											
AVAILABLE	NOT APPLICABLE	34566-5903	0	A	BLACK	<table border="1"> <tr><td>72</td><td>71</td><td></td><td>69</td><td>68</td><td>67</td><td>66</td><td></td><td>64</td><td>63</td><td>62</td><td></td><td></td><td>59</td><td></td><td></td><td></td><td></td><td></td><td>53</td></tr> <tr><td></td><td></td><td></td><td>48</td><td></td><td></td><td></td><td></td><td>44</td><td>43</td><td>42</td><td></td><td></td><td>39</td><td></td><td></td><td></td><td></td><td>35</td><td>33</td></tr> <tr><td colspan="3">73</td><td>32</td><td></td><td></td><td>29</td><td></td><td>27</td><td></td><td></td><td></td><td>23</td><td></td><td></td><td></td><td></td><td></td><td></td><td>17</td></tr> <tr><td colspan="3"></td><td></td><td></td><td></td><td>13</td><td>12</td><td>11</td><td></td><td>9</td><td>8</td><td></td><td></td><td>5</td><td>4</td><td>3</td><td>2</td><td>1</td><td></td></tr> </table>	72	71		69	68	67	66		64	63	62			59						53				48					44	43	42			39					35	33	73			32			29		27				23							17							13	12	11		9	8			5	4	3	2	1	
72	71		69	68	67	66		64	63	62			59						53																																																																			
			48					44	43	42			39					35	33																																																																			
73			32			29		27				23							17																																																																			
						13	12	11		9	8			5	4	3	2	1																																																																				
SEE NEXT PAGE FOR ADDITIONAL NUMBERS																																																																																						

PRE-RELEASE  
REFERENCE  
USE ONLY

THIS DRAWING CONTAINS INFORMATION THAT IS PROPRIETARY TO MOLEX ELECTRONIC TECHNOLOGIES, LLC AND SHOULD NOT BE USED WITHOUT WRITTEN PERMISSION

EC NO: 120083 DRWN: APODDATURI CHKD: REV APPR: VKOSHY	2017/07/13	2017/08/08	GENERAL TOLERANCES (UNLESS SPECIFIED)	DIMENSION UNITS	SCALE	  MX123 66/73/80CKT HRNS CONN ASSY  PRODUCT CUSTOMER DRAWING	
			ANGULAR TOL ± °	MM	1:1		
			4 PLACES ±	DRWN BY	DATE		SKRAJENDRANA 2011/02/14
			3 PLACES ±	CHKD BY	DATE		MVANSLAMBROU 2011/02/14
			2 PLACES ±	APPR BY	DATE		
		1 PLACE ±					
		0 PLACES ±					
		DRAFT WHERE APPLICABLE MUST REMAIN WITHIN DIMENSIONS	DRAWING SIZE	THIRD ANGLE PROJECTION		SERIES	
			D			MATERIAL NUMBER	
						CUSTOMER	
						34566	
						SEE BOM TABLE	
						GENERAL MARKET	
						DOCUMENT NUMBER	
						SD-34566-001	
						DOC TYPE	
						PSD	
						DOC PART	
						000	
						SHEET NUMBER	
						13 OF 98	

STATUS	GM PART #	MATERIAL #	WIRE DRESS OPTION	KEY OPTION	COLOR (TPA)	NUMBERS INDICATE CAVITIES OPEN FOR CIRCUITS																																																																																
AVAILABLE	NOT APPLICABLE	34566-6003	0	B	ST GRY	<table border="1"> <tr><td></td><td></td><td></td><td></td><td>67</td><td>66</td><td>65</td><td></td><td></td><td></td><td></td><td></td><td>59</td><td>57</td><td>55</td><td>53</td></tr> <tr><td></td><td></td><td>49</td><td>48</td><td>47</td><td></td><td></td><td></td><td></td><td></td><td></td><td></td><td>39</td><td>37</td><td>35</td><td>33</td></tr> <tr><td></td><td>73</td><td></td><td></td><td></td><td></td><td>29</td><td></td><td></td><td></td><td></td><td></td><td>23</td><td>21</td><td></td><td></td></tr> <tr><td></td><td></td><td></td><td></td><td></td><td></td><td></td><td></td><td></td><td></td><td></td><td></td><td>7</td><td></td><td></td><td></td></tr> </table>					67	66	65						59	57	55	53			49	48	47								39	37	35	33		73					29						23	21															7																			
				67	66	65						59	57	55	53																																																																							
		49	48	47								39	37	35	33																																																																							
	73					29						23	21																																																																									
												7																																																																										
AVAILABLE	NOT APPLICABLE	34566-6103	0	B	ST GRY	<table border="1"> <tr><td></td><td></td><td></td><td></td><td>67</td><td>66</td><td>65</td><td></td><td></td><td>62</td><td></td><td></td><td>59</td><td>57</td><td>55</td><td>53</td></tr> <tr><td></td><td></td><td>49</td><td>48</td><td>47</td><td></td><td></td><td></td><td></td><td>42</td><td></td><td></td><td>39</td><td>37</td><td>35</td><td>33</td></tr> <tr><td></td><td>73</td><td></td><td></td><td></td><td></td><td>29</td><td></td><td></td><td>26</td><td></td><td></td><td>23</td><td>21</td><td></td><td></td></tr> <tr><td></td><td></td><td></td><td></td><td></td><td></td><td></td><td></td><td></td><td>9</td><td></td><td></td><td>7</td><td></td><td></td><td></td></tr> </table>					67	66	65			62			59	57	55	53			49	48	47					42			39	37	35	33		73					29			26			23	21												9			7																			
				67	66	65			62			59	57	55	53																																																																							
		49	48	47					42			39	37	35	33																																																																							
	73					29			26			23	21																																																																									
									9			7																																																																										
AVAILABLE	NOT APPLICABLE	34566-6203	0	A	BLACK	<table border="1"> <tr><td></td><td>71</td><td>70</td><td>69</td><td>68</td><td></td><td></td><td>65</td><td>64</td><td>63</td><td></td><td>61</td><td></td><td>59</td><td>57</td><td>56</td><td></td><td></td><td></td><td></td></tr> <tr><td>52</td><td>51</td><td>50</td><td>49</td><td></td><td>47</td><td></td><td></td><td></td><td></td><td></td><td>41</td><td></td><td></td><td>38</td><td>37</td><td>36</td><td></td><td>34</td><td>33</td></tr> <tr><td></td><td>73</td><td></td><td></td><td>32</td><td>31</td><td>30</td><td>29</td><td>28</td><td>27</td><td></td><td></td><td>24</td><td>23</td><td></td><td></td><td>20</td><td>19</td><td>18</td><td></td></tr> <tr><td></td><td></td><td></td><td></td><td>16</td><td></td><td></td><td>13</td><td>12</td><td>11</td><td>10</td><td>9</td><td></td><td></td><td></td><td></td><td></td><td></td><td></td><td>1</td></tr> </table>		71	70	69	68			65	64	63		61		59	57	56					52	51	50	49		47						41			38	37	36		34	33		73			32	31	30	29	28	27			24	23			20	19	18						16			13	12	11	10	9								1
	71	70	69	68			65	64	63		61		59	57	56																																																																							
52	51	50	49		47						41			38	37	36		34	33																																																																			
	73			32	31	30	29	28	27			24	23			20	19	18																																																																				
				16			13	12	11	10	9								1																																																																			
AVAILABLE	NOT APPLICABLE	34566-6303	0	A	BLACK	<table border="1"> <tr><td></td><td>71</td><td>70</td><td>69</td><td>68</td><td></td><td></td><td>65</td><td>64</td><td>63</td><td></td><td>61</td><td></td><td>59</td><td>57</td><td>56</td><td></td><td></td><td></td><td></td></tr> <tr><td>52</td><td>51</td><td>50</td><td>49</td><td></td><td>47</td><td></td><td></td><td></td><td></td><td></td><td>41</td><td></td><td></td><td>38</td><td>37</td><td>36</td><td></td><td>34</td><td>33</td></tr> <tr><td></td><td>73</td><td></td><td></td><td>32</td><td>31</td><td>30</td><td>29</td><td>28</td><td>27</td><td></td><td></td><td>24</td><td>23</td><td></td><td></td><td>20</td><td>19</td><td>18</td><td></td></tr> <tr><td></td><td></td><td></td><td></td><td>16</td><td></td><td></td><td>13</td><td>12</td><td>11</td><td>10</td><td>9</td><td></td><td></td><td></td><td></td><td></td><td></td><td>2</td><td>1</td></tr> </table>		71	70	69	68			65	64	63		61		59	57	56					52	51	50	49		47						41			38	37	36		34	33		73			32	31	30	29	28	27			24	23			20	19	18						16			13	12	11	10	9							2	1
	71	70	69	68			65	64	63		61		59	57	56																																																																							
52	51	50	49		47						41			38	37	36		34	33																																																																			
	73			32	31	30	29	28	27			24	23			20	19	18																																																																				
				16			13	12	11	10	9							2	1																																																																			
AVAILABLE	NOT APPLICABLE	34566-6403	0	A	BLACK	<table border="1"> <tr><td></td><td>71</td><td></td><td>69</td><td>68</td><td></td><td></td><td>65</td><td>64</td><td>63</td><td></td><td>61</td><td></td><td>59</td><td>58</td><td></td><td>56</td><td></td><td></td><td></td></tr> <tr><td>52</td><td></td><td>50</td><td>49</td><td></td><td>47</td><td></td><td></td><td></td><td></td><td></td><td>41</td><td></td><td></td><td>38</td><td>37</td><td>36</td><td></td><td>34</td><td>33</td></tr> <tr><td></td><td>73</td><td></td><td></td><td>32</td><td>31</td><td>30</td><td>29</td><td>28</td><td>27</td><td></td><td></td><td>24</td><td>23</td><td></td><td></td><td>20</td><td>19</td><td>18</td><td>17</td></tr> <tr><td></td><td></td><td></td><td></td><td>16</td><td></td><td></td><td>13</td><td>12</td><td>11</td><td>10</td><td>9</td><td></td><td></td><td></td><td></td><td></td><td></td><td></td><td>1</td></tr> </table>		71		69	68			65	64	63		61		59	58		56				52		50	49		47						41			38	37	36		34	33		73			32	31	30	29	28	27			24	23			20	19	18	17					16			13	12	11	10	9								1
	71		69	68			65	64	63		61		59	58		56																																																																						
52		50	49		47						41			38	37	36		34	33																																																																			
	73			32	31	30	29	28	27			24	23			20	19	18	17																																																																			
				16			13	12	11	10	9								1																																																																			
AVAILABLE	NOT APPLICABLE	34566-6503	0	A	BLACK	<table border="1"> <tr><td></td><td>71</td><td></td><td>69</td><td>68</td><td></td><td></td><td>65</td><td>64</td><td>63</td><td></td><td>61</td><td></td><td>59</td><td>58</td><td></td><td>56</td><td></td><td></td><td></td></tr> <tr><td>52</td><td></td><td>50</td><td>49</td><td></td><td>47</td><td></td><td></td><td></td><td></td><td></td><td>41</td><td></td><td></td><td>38</td><td>37</td><td>36</td><td></td><td>34</td><td>33</td></tr> <tr><td></td><td>73</td><td></td><td></td><td>32</td><td>31</td><td>30</td><td>29</td><td>28</td><td>27</td><td></td><td></td><td>24</td><td>23</td><td></td><td></td><td>20</td><td>19</td><td>18</td><td>17</td></tr> <tr><td></td><td></td><td></td><td></td><td>16</td><td></td><td></td><td>13</td><td>12</td><td>11</td><td>10</td><td>9</td><td></td><td></td><td></td><td></td><td></td><td></td><td>2</td><td>1</td></tr> </table>		71		69	68			65	64	63		61		59	58		56				52		50	49		47						41			38	37	36		34	33		73			32	31	30	29	28	27			24	23			20	19	18	17					16			13	12	11	10	9							2	1
	71		69	68			65	64	63		61		59	58		56																																																																						
52		50	49		47						41			38	37	36		34	33																																																																			
	73			32	31	30	29	28	27			24	23			20	19	18	17																																																																			
				16			13	12	11	10	9							2	1																																																																			
AVAILABLE	NOT APPLICABLE	34566-6603	0	H	ST GRY	<table border="1"> <tr><td></td><td>79</td><td>78</td><td>77</td><td>76</td><td>75</td><td>74</td><td>73</td><td>72</td><td>71</td><td>70</td><td>69</td><td>68</td><td></td><td>66</td><td>65</td><td>64</td><td>63</td><td></td><td>61</td></tr> <tr><td>60</td><td>59</td><td>58</td><td>57</td><td>56</td><td></td><td></td><td>53</td><td>52</td><td></td><td>50</td><td></td><td></td><td></td><td></td><td></td><td>44</td><td>43</td><td></td><td>41</td></tr> <tr><td>40</td><td>39</td><td>38</td><td>37</td><td></td><td>35</td><td>34</td><td>33</td><td>32</td><td></td><td>30</td><td>29</td><td></td><td>27</td><td>26</td><td></td><td></td><td></td><td>22</td><td>21</td></tr> <tr><td>20</td><td>19</td><td>18</td><td>17</td><td>16</td><td></td><td></td><td>13</td><td>12</td><td></td><td></td><td></td><td>8</td><td></td><td>6</td><td>5</td><td></td><td>3</td><td>2</td><td></td></tr> </table>		79	78	77	76	75	74	73	72	71	70	69	68		66	65	64	63		61	60	59	58	57	56			53	52		50						44	43		41	40	39	38	37		35	34	33	32		30	29		27	26				22	21	20	19	18	17	16			13	12				8		6	5		3	2	
	79	78	77	76	75	74	73	72	71	70	69	68		66	65	64	63		61																																																																			
60	59	58	57	56			53	52		50						44	43		41																																																																			
40	39	38	37		35	34	33	32		30	29		27	26				22	21																																																																			
20	19	18	17	16			13	12				8		6	5		3	2																																																																				
AVAILABLE	NOT APPLICABLE	34566-6703	0	H	ST GRY	<table border="1"> <tr><td></td><td>79</td><td>78</td><td>77</td><td>76</td><td>75</td><td>74</td><td>73</td><td>72</td><td>71</td><td>70</td><td>69</td><td>68</td><td></td><td>66</td><td>65</td><td>64</td><td>63</td><td></td><td>61</td></tr> <tr><td>60</td><td>59</td><td>58</td><td>57</td><td>56</td><td></td><td></td><td>53</td><td></td><td></td><td>50</td><td></td><td></td><td></td><td></td><td></td><td>44</td><td>43</td><td></td><td>41</td></tr> <tr><td>40</td><td>39</td><td>38</td><td>37</td><td></td><td>35</td><td>34</td><td>33</td><td>32</td><td></td><td>30</td><td>29</td><td></td><td>27</td><td>26</td><td></td><td></td><td></td><td>22</td><td>21</td></tr> <tr><td>20</td><td>19</td><td>18</td><td>17</td><td></td><td>14</td><td>13</td><td>12</td><td>11</td><td>10</td><td>9</td><td>8</td><td></td><td></td><td>6</td><td>5</td><td></td><td>3</td><td>2</td><td></td></tr> </table>		79	78	77	76	75	74	73	72	71	70	69	68		66	65	64	63		61	60	59	58	57	56			53			50						44	43		41	40	39	38	37		35	34	33	32		30	29		27	26				22	21	20	19	18	17		14	13	12	11	10	9	8			6	5		3	2	
	79	78	77	76	75	74	73	72	71	70	69	68		66	65	64	63		61																																																																			
60	59	58	57	56			53			50						44	43		41																																																																			
40	39	38	37		35	34	33	32		30	29		27	26				22	21																																																																			
20	19	18	17		14	13	12	11	10	9	8			6	5		3	2																																																																				

SEE NEXT PAGE FOR ADDITIONAL NUMBERS

PRE-RELEASE  
REFERENCE  
USE ONLY

EC NO: 120083 DRWN: APODDATURI CHKD: REV APPR: VKOSHY		2017/07/13 2017/08/08	GENERAL TOLERANCES (UNLESS SPECIFIED)		DIMENSION UNITS <b>MM</b>	SCALE <b>1:1</b>	<b>molex</b>	
4 PLACES ±		ANGULAR TOL ± °		DRWN BY SKRAJENDRANA	DATE 2011/02/14			
3 PLACES ±		2 PLACES ±		CHKD BY MVANSLAMBROU	DATE 2011/02/14	PRODUCT CUSTOMER DRAWING		
1 PLACE ±		0 PLACES ±		APPR BY	DATE	SERIES 34566	MATERIAL NUMBER SEE BOM TABLE	CUSTOMER GENERAL MARKET
DRAFT WHERE APPLICABLE MUST REMAIN WITHIN DIMENSIONS		DRAWING SIZE <b>D</b>	THIRD ANGLE PROJECTION		DOCUMENT NUMBER SD-34566-001	DOC TYPE PSD	DOC PART 000	SHEET NUMBER 14 OF 98




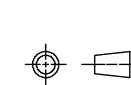


STATUS	GM PART #	MATERIAL #	WIRE DRESS OPTION	KEY OPTION	COLOR (TPA)	NUMBERS INDICATE CAVITIES OPEN FOR CIRCUITS																																																																																		
AVAILABLE	NOT APPLICABLE	34566-7603	0	B	ST GRY	<table border="1"> <tr><td></td><td></td><td></td><td>69</td><td>68</td><td></td><td>66</td><td></td><td></td><td></td><td></td><td></td><td></td><td></td><td>59</td><td>57</td><td></td><td>55</td><td></td><td>53</td></tr> <tr><td></td><td></td><td></td><td>49</td><td>48</td><td></td><td>46</td><td></td><td></td><td>44</td><td></td><td></td><td></td><td></td><td>39</td><td>37</td><td></td><td>35</td><td></td><td>33</td></tr> <tr><td colspan="3">73</td><td></td><td></td><td></td><td>29</td><td>28</td><td></td><td></td><td></td><td></td><td></td><td>23</td><td>21</td><td></td><td></td><td></td><td>18</td><td>17</td></tr> <tr><td></td><td></td><td></td><td></td><td></td><td></td><td>12</td><td>11</td><td>10</td><td></td><td></td><td></td><td></td><td>7</td><td></td><td></td><td></td><td></td><td></td><td></td></tr> </table>				69	68		66								59	57		55		53				49	48		46			44					39	37		35		33	73						29	28						23	21				18	17							12	11	10					7								
			69	68		66								59	57		55		53																																																																					
			49	48		46			44					39	37		35		33																																																																					
73						29	28						23	21				18	17																																																																					
						12	11	10					7																																																																											
AVAILABLE	NOT APPLICABLE	34566-7703	0	A	BLACK	<table border="1"> <tr><td>72</td><td>71</td><td>70</td><td>69</td><td>68</td><td>67</td><td>66</td><td></td><td>64</td><td>63</td><td>62</td><td></td><td>60</td><td>59</td><td></td><td></td><td></td><td>55</td><td>54</td><td>53</td></tr> <tr><td>52</td><td></td><td></td><td>49</td><td>48</td><td></td><td></td><td></td><td>44</td><td>43</td><td>42</td><td></td><td>40</td><td>39</td><td></td><td></td><td></td><td>35</td><td>34</td><td>33</td></tr> <tr><td colspan="3">73</td><td></td><td>32</td><td></td><td></td><td>29</td><td></td><td>27</td><td></td><td></td><td>24</td><td>23</td><td></td><td></td><td></td><td>19</td><td>18</td><td>17</td></tr> <tr><td></td><td></td><td></td><td>16</td><td></td><td></td><td>13</td><td>12</td><td>11</td><td></td><td></td><td>9</td><td>8</td><td>7</td><td>6</td><td>5</td><td>4</td><td>3</td><td>2</td><td>1</td></tr> </table>	72	71	70	69	68	67	66		64	63	62		60	59				55	54	53	52			49	48				44	43	42		40	39				35	34	33	73				32			29		27			24	23				19	18	17				16			13	12	11			9	8	7	6	5	4	3	2	1		
72	71	70	69	68	67	66		64	63	62		60	59				55	54	53																																																																					
52			49	48				44	43	42		40	39				35	34	33																																																																					
73				32			29		27			24	23				19	18	17																																																																					
			16			13	12	11			9	8	7	6	5	4	3	2	1																																																																					
AVAILABLE	NOT APPLICABLE	34566-7803	0	A	BLACK	<table border="1"> <tr><td>72</td><td>71</td><td>70</td><td></td><td>68</td><td></td><td>66</td><td></td><td>64</td><td>63</td><td>62</td><td>61</td><td>60</td><td>59</td><td></td><td></td><td></td><td>55</td><td>54</td><td>53</td></tr> <tr><td>52</td><td></td><td></td><td>49</td><td>48</td><td></td><td>46</td><td></td><td>44</td><td>43</td><td>42</td><td></td><td>40</td><td>39</td><td></td><td></td><td></td><td>35</td><td>34</td><td>33</td></tr> <tr><td colspan="3">73</td><td></td><td>32</td><td></td><td></td><td>29</td><td>28</td><td>27</td><td></td><td></td><td>24</td><td>23</td><td></td><td></td><td></td><td>19</td><td>18</td><td>17</td></tr> <tr><td></td><td></td><td></td><td>16</td><td></td><td>14</td><td>13</td><td>12</td><td>11</td><td></td><td></td><td>9</td><td>8</td><td>7</td><td>6</td><td></td><td></td><td>3</td><td>2</td><td>1</td></tr> </table>	72	71	70		68		66		64	63	62	61	60	59				55	54	53	52			49	48		46		44	43	42		40	39				35	34	33	73				32			29	28	27			24	23				19	18	17				16		14	13	12	11			9	8	7	6			3	2	1		
72	71	70		68		66		64	63	62	61	60	59				55	54	53																																																																					
52			49	48		46		44	43	42		40	39				35	34	33																																																																					
73				32			29	28	27			24	23				19	18	17																																																																					
			16		14	13	12	11			9	8	7	6			3	2	1																																																																					
AVAILABLE	NOT APPLICABLE	34566-7903	0	B	ST GRY	<table border="1"> <tr><td></td><td></td><td></td><td></td><td></td><td></td><td></td><td></td><td>64</td><td></td><td></td><td>61</td><td></td><td>59</td><td>57</td><td></td><td>55</td><td></td><td>53</td></tr> <tr><td></td><td></td><td></td><td></td><td></td><td></td><td></td><td></td><td></td><td></td><td>42</td><td></td><td></td><td>39</td><td></td><td></td><td>35</td><td></td><td>33</td></tr> <tr><td colspan="3">73</td><td></td><td></td><td></td><td></td><td></td><td></td><td></td><td></td><td></td><td></td><td>23</td><td></td><td>20</td><td>19</td><td></td><td></td></tr> <tr><td></td><td></td><td></td><td></td><td></td><td></td><td>15</td><td></td><td></td><td></td><td></td><td></td><td></td><td></td><td></td><td>4</td><td>3</td><td>2</td><td>1</td></tr> </table>									64			61		59	57		55		53											42			39			35		33	73													23		20	19									15									4	3	2	1						
								64			61		59	57		55		53																																																																						
										42			39			35		33																																																																						
73													23		20	19																																																																								
						15									4	3	2	1																																																																						
AVAILABLE	NOT APPLICABLE	34566-8003	0	A	BLACK	<table border="1"> <tr><td></td><td></td><td></td><td>69</td><td>68</td><td></td><td></td><td></td><td>65</td><td>64</td><td>63</td><td></td><td>61</td><td>60</td><td>59</td><td>58</td><td></td><td>56</td><td></td><td></td></tr> <tr><td>52</td><td></td><td>50</td><td>49</td><td>48</td><td>47</td><td></td><td></td><td></td><td></td><td></td><td></td><td>41</td><td></td><td></td><td>38</td><td>37</td><td>36</td><td></td><td>34</td><td>33</td></tr> <tr><td colspan="3">73</td><td></td><td>32</td><td>31</td><td>30</td><td>29</td><td>28</td><td>27</td><td></td><td></td><td>24</td><td>23</td><td></td><td></td><td>20</td><td>19</td><td>18</td><td>17</td></tr> <tr><td></td><td></td><td></td><td>16</td><td></td><td></td><td>13</td><td>12</td><td>11</td><td>10</td><td>9</td><td></td><td></td><td></td><td></td><td></td><td></td><td></td><td></td><td>1</td></tr> </table>				69	68				65	64	63		61	60	59	58		56			52		50	49	48	47							41			38	37	36		34	33	73				32	31	30	29	28	27			24	23			20	19	18	17				16			13	12	11	10	9									1	
			69	68				65	64	63		61	60	59	58		56																																																																							
52		50	49	48	47							41			38	37	36		34	33																																																																				
73				32	31	30	29	28	27			24	23			20	19	18	17																																																																					
			16			13	12	11	10	9									1																																																																					
AVAILABLE	NOT APPLICABLE	34566-8103	0	H	ST GRY	<table border="1"> <tr><td></td><td></td><td>78</td><td></td><td></td><td></td><td></td><td></td><td>72</td><td>71</td><td>70</td><td>69</td><td>68</td><td></td><td>66</td><td>65</td><td>64</td><td>63</td><td></td><td>61</td></tr> <tr><td>60</td><td>59</td><td>58</td><td>57</td><td>56</td><td></td><td></td><td></td><td>53</td><td>52</td><td>50</td><td></td><td></td><td></td><td></td><td></td><td>44</td><td>43</td><td></td><td>41</td></tr> <tr><td>40</td><td></td><td></td><td>37</td><td></td><td>35</td><td>34</td><td>33</td><td>32</td><td></td><td>30</td><td>29</td><td></td><td>27</td><td>26</td><td></td><td>24</td><td></td><td></td><td>22</td><td>21</td></tr> <tr><td>20</td><td>19</td><td>18</td><td>17</td><td>16</td><td></td><td></td><td>13</td><td>12</td><td></td><td></td><td></td><td>8</td><td>6</td><td>5</td><td></td><td></td><td>3</td><td>2</td><td></td><td></td></tr> </table>			78						72	71	70	69	68		66	65	64	63		61	60	59	58	57	56				53	52	50						44	43		41	40			37		35	34	33	32		30	29		27	26		24			22	21	20	19	18	17	16			13	12				8	6	5			3	2		
		78						72	71	70	69	68		66	65	64	63		61																																																																					
60	59	58	57	56				53	52	50						44	43		41																																																																					
40			37		35	34	33	32		30	29		27	26		24			22	21																																																																				
20	19	18	17	16			13	12				8	6	5			3	2																																																																						
AVAILABLE	NOT APPLICABLE	34566-8203	0	A	BLACK	<table border="1"> <tr><td></td><td></td><td>70</td><td></td><td></td><td>67</td><td>66</td><td></td><td></td><td></td><td></td><td></td><td></td><td></td><td>58</td><td>56</td><td>55</td><td>54</td><td></td><td></td></tr> <tr><td></td><td></td><td></td><td></td><td></td><td>47</td><td></td><td></td><td>44</td><td>43</td><td>42</td><td>41</td><td></td><td>39</td><td></td><td>37</td><td>36</td><td></td><td>34</td><td></td></tr> <tr><td colspan="3">73</td><td></td><td></td><td>31</td><td>30</td><td></td><td></td><td>27</td><td></td><td>25</td><td>24</td><td></td><td></td><td>21</td><td>20</td><td>19</td><td>18</td><td></td></tr> <tr><td></td><td></td><td></td><td></td><td></td><td></td><td>13</td><td></td><td></td><td></td><td></td><td></td><td></td><td>6</td><td>5</td><td>4</td><td>3</td><td></td><td></td><td>1</td></tr> </table>			70			67	66								58	56	55	54								47			44	43	42	41		39		37	36		34		73					31	30			27		25	24			21	20	19	18								13							6	5	4	3			1		
		70			67	66								58	56	55	54																																																																							
					47			44	43	42	41		39		37	36		34																																																																						
73					31	30			27		25	24			21	20	19	18																																																																						
						13							6	5	4	3			1																																																																					
AVAILABLE	NOT APPLICABLE	34566-8303	0	A	BLACK	<table border="1"> <tr><td>72</td><td>71</td><td></td><td>69</td><td>68</td><td>67</td><td>66</td><td></td><td>64</td><td>63</td><td>62</td><td></td><td></td><td>59</td><td>58</td><td>57</td><td>56</td><td></td><td>54</td><td>53</td></tr> <tr><td>52</td><td>51</td><td>50</td><td>49</td><td>48</td><td>47</td><td>46</td><td></td><td>44</td><td>43</td><td>42</td><td></td><td></td><td>39</td><td>38</td><td>37</td><td>36</td><td>35</td><td>34</td><td>33</td></tr> <tr><td colspan="3">73</td><td></td><td>32</td><td>31</td><td>30</td><td>29</td><td></td><td>27</td><td></td><td></td><td>24</td><td>23</td><td>22</td><td>21</td><td>20</td><td>19</td><td></td><td>17</td></tr> <tr><td></td><td></td><td></td><td>15</td><td>14</td><td>13</td><td>12</td><td>11</td><td></td><td></td><td>9</td><td>8</td><td>7</td><td>6</td><td>5</td><td>4</td><td>3</td><td>2</td><td></td><td>1</td></tr> </table>	72	71		69	68	67	66		64	63	62			59	58	57	56		54	53	52	51	50	49	48	47	46		44	43	42			39	38	37	36	35	34	33	73				32	31	30	29		27			24	23	22	21	20	19		17				15	14	13	12	11			9	8	7	6	5	4	3	2		1		
72	71		69	68	67	66		64	63	62			59	58	57	56		54	53																																																																					
52	51	50	49	48	47	46		44	43	42			39	38	37	36	35	34	33																																																																					
73				32	31	30	29		27			24	23	22	21	20	19		17																																																																					
			15	14	13	12	11			9	8	7	6	5	4	3	2		1																																																																					

SEE NEXT PAGE FOR ADDITIONAL NUMBERS

PRE-RELEASE REFERENCE USE ONLY

THIS DRAWING CONTAINS INFORMATION THAT IS PROPRIETARY TO MOLEX ELECTRONIC TECHNOLOGIES, LLC AND SHOULD NOT BE USED WITHOUT WRITTEN PERMISSION

EC NO: 120083 DRWN: APODDATURI CHKD: REV APPR: VKOSHY	2017/07/13	2017/08/08	GENERAL TOLERANCES (UNLESS SPECIFIED)	DIMENSION UNITS	SCALE		
			ANGULAR TOL ± °	MM	1:1		
			4 PLACES ±	DRWN BY	DATE		MX123 66/73/80CKT HRNS CONN ASSY
			3 PLACES ±	SKRAJENDRANA	2011/02/14		
			2 PLACES ±	CHKD BY	DATE		PRODUCT CUSTOMER DRAWING
		1 PLACE ±	MVANSLAMBROU	2011/02/14			
		0 PLACES ±	APPR BY	DATE	SERIES	MATERIAL NUMBER	CUSTOMER
		DRAFT WHERE APPLICABLE MUST REMAIN WITHIN DIMENSIONS	DRAWING SIZE	THIRD ANGLE PROJECTION	34566	SEE BOM TABLE	GENERAL MARKET
G55			D		DOCUMENT NUMBER	DOC TYPE	DOC PART SHEET NUMBER
					SD-34566-001	PSD	000 16 OF 98

STATUS	GM PART #	MATERIAL #	WIRE DRESS OPTION	KEY OPTION	COLOR (TPA)	NUMBERS INDICATE CAVITIES OPEN FOR CIRCUITS																																																																																									
AVAILABLE	NOT APPLICABLE	34566-8403	0	B	ST GRY		<table border="1"> <tr><td></td><td></td><td></td><td></td><td></td><td></td><td></td><td></td><td>65</td><td>64</td><td></td><td></td><td></td><td></td><td></td><td>59</td><td>57</td><td>55</td><td>53</td></tr> <tr><td></td><td></td><td>50</td><td>49</td><td>48</td><td></td><td>46</td><td></td><td></td><td></td><td></td><td></td><td></td><td></td><td></td><td>39</td><td>37</td><td>35</td><td>33</td></tr> <tr><td></td><td>73</td><td></td><td></td><td>32</td><td></td><td></td><td></td><td>29</td><td></td><td></td><td></td><td></td><td></td><td>24</td><td>23</td><td>21</td><td></td><td></td></tr> <tr><td></td><td></td><td></td><td></td><td>15</td><td></td><td></td><td></td><td></td><td></td><td></td><td></td><td></td><td></td><td>7</td><td>6</td><td>5</td><td>4</td><td>3</td></tr> </table>									65	64						59	57	55	53			50	49	48		46									39	37	35	33		73			32				29						24	23	21							15										7	6	5	4	3												
								65	64						59	57	55	53																																																																													
		50	49	48		46									39	37	35	33																																																																													
	73			32				29						24	23	21																																																																															
				15										7	6	5	4	3																																																																													
AVAILABLE	NOT APPLICABLE	34566-8503	0	B	ST GRY		<table border="1"> <tr><td>72</td><td>71</td><td>70</td><td>69</td><td>68</td><td>67</td><td>66</td><td>65</td><td>64</td><td>63</td><td>62</td><td></td><td></td><td></td><td>60</td><td>59</td><td></td><td></td><td>55</td><td>54</td><td>53</td></tr> <tr><td>52</td><td></td><td></td><td>49</td><td>48</td><td></td><td></td><td></td><td>44</td><td>43</td><td>42</td><td></td><td></td><td></td><td></td><td>39</td><td></td><td></td><td>35</td><td>34</td><td>33</td></tr> <tr><td></td><td></td><td>73</td><td></td><td></td><td></td><td>32</td><td></td><td></td><td>29</td><td>27</td><td></td><td></td><td></td><td>24</td><td>23</td><td></td><td></td><td>19</td><td>18</td><td>17</td></tr> <tr><td></td><td></td><td></td><td></td><td></td><td></td><td></td><td></td><td>13</td><td>12</td><td>11</td><td></td><td></td><td></td><td>9</td><td>8</td><td>7</td><td>6</td><td>5</td><td>4</td><td>3</td><td>2</td><td>1</td></tr> </table>	72	71	70	69	68	67	66	65	64	63	62				60	59			55	54	53	52			49	48				44	43	42					39			35	34	33			73				32			29	27				24	23			19	18	17									13	12	11				9	8	7	6	5	4	3	2	1		
72	71	70	69	68	67	66	65	64	63	62				60	59			55	54	53																																																																											
52			49	48				44	43	42					39			35	34	33																																																																											
		73				32			29	27				24	23			19	18	17																																																																											
								13	12	11				9	8	7	6	5	4	3	2	1																																																																									
AVAILABLE	NOT APPLICABLE	34566-8603	0	A	BLACK		<table border="1"> <tr><td></td><td></td><td></td><td>69</td><td>68</td><td></td><td>66</td><td></td><td></td><td></td><td></td><td></td><td></td><td></td><td></td><td>59</td><td>57</td><td>55</td><td>53</td></tr> <tr><td></td><td></td><td></td><td>49</td><td>48</td><td></td><td>46</td><td></td><td>44</td><td></td><td></td><td></td><td></td><td></td><td></td><td>39</td><td>38</td><td>37</td><td>35</td><td>33</td></tr> <tr><td></td><td></td><td>73</td><td></td><td></td><td></td><td></td><td></td><td>29</td><td>28</td><td></td><td></td><td></td><td></td><td></td><td>23</td><td>21</td><td></td><td></td><td>18</td><td>17</td></tr> <tr><td></td><td></td><td></td><td></td><td></td><td></td><td></td><td></td><td></td><td>12</td><td>11</td><td>10</td><td></td><td></td><td></td><td>7</td><td></td><td></td><td></td><td></td><td></td><td></td><td></td></tr> </table>				69	68		66									59	57	55	53				49	48		46		44							39	38	37	35	33			73						29	28						23	21			18	17										12	11	10				7												
			69	68		66									59	57	55	53																																																																													
			49	48		46		44							39	38	37	35	33																																																																												
		73						29	28						23	21			18	17																																																																											
									12	11	10				7																																																																																
AVAILABLE	NOT APPLICABLE	34566-8703	0	B	ST GRY		<table border="1"> <tr><td></td><td></td><td></td><td>69</td><td>68</td><td></td><td>66</td><td></td><td>64</td><td></td><td></td><td></td><td></td><td></td><td></td><td>59</td><td>57</td><td>55</td><td>53</td></tr> <tr><td></td><td></td><td>50</td><td>49</td><td>48</td><td>47</td><td></td><td></td><td>44</td><td></td><td></td><td></td><td></td><td></td><td></td><td>39</td><td>37</td><td>35</td><td>33</td></tr> <tr><td></td><td></td><td>73</td><td></td><td></td><td></td><td></td><td></td><td>29</td><td>28</td><td></td><td></td><td></td><td></td><td></td><td>23</td><td>21</td><td></td><td></td><td>17</td></tr> <tr><td></td><td></td><td></td><td></td><td></td><td></td><td>15</td><td></td><td></td><td>12</td><td>11</td><td>10</td><td></td><td></td><td></td><td>7</td><td>6</td><td>5</td><td>4</td><td>3</td><td></td><td></td></tr> </table>				69	68		66		64							59	57	55	53			50	49	48	47			44							39	37	35	33			73						29	28						23	21			17							15			12	11	10				7	6	5	4	3										
			69	68		66		64							59	57	55	53																																																																													
		50	49	48	47			44							39	37	35	33																																																																													
		73						29	28						23	21			17																																																																												
						15			12	11	10				7	6	5	4	3																																																																												
AVAILABLE	NOT APPLICABLE	34566-8803	0	B	ST GRY		<table border="1"> <tr><td></td><td></td><td></td><td></td><td>68</td><td>67</td><td>66</td><td>65</td><td></td><td></td><td></td><td></td><td></td><td></td><td></td><td>59</td><td>58</td><td>57</td><td></td><td>54</td><td>53</td></tr> <tr><td></td><td>51</td><td>50</td><td>49</td><td>48</td><td></td><td>46</td><td>45</td><td></td><td>43</td><td>42</td><td></td><td></td><td></td><td>40</td><td>39</td><td>38</td><td>37</td><td></td><td></td><td>33</td></tr> <tr><td></td><td></td><td></td><td>73</td><td></td><td>32</td><td>31</td><td>30</td><td></td><td></td><td></td><td></td><td></td><td>26</td><td>24</td><td>23</td><td>22</td><td></td><td>20</td><td></td><td></td></tr> <tr><td></td><td></td><td></td><td></td><td></td><td>16</td><td></td><td></td><td>13</td><td></td><td>10</td><td>9</td><td>8</td><td>7</td><td>6</td><td>5</td><td>4</td><td></td><td></td><td></td><td></td><td></td></tr> </table>					68	67	66	65								59	58	57		54	53		51	50	49	48		46	45		43	42				40	39	38	37			33				73		32	31	30						26	24	23	22		20								16			13		10	9	8	7	6	5	4								
				68	67	66	65								59	58	57		54	53																																																																											
	51	50	49	48		46	45		43	42				40	39	38	37			33																																																																											
			73		32	31	30						26	24	23	22		20																																																																													
					16			13		10	9	8	7	6	5	4																																																																															
AVAILABLE	NOT APPLICABLE	34566-8903	0	H	ST GRY		<table border="1"> <tr><td></td><td></td><td>78</td><td></td><td></td><td></td><td></td><td></td><td></td><td></td><td>71</td><td>70</td><td>69</td><td>68</td><td>67</td><td>66</td><td>65</td><td>64</td><td>63</td><td></td><td>61</td></tr> <tr><td></td><td></td><td>58</td><td>57</td><td>56</td><td></td><td></td><td>53</td><td>52</td><td>51</td><td>50</td><td></td><td></td><td></td><td></td><td></td><td></td><td></td><td>44</td><td>43</td><td></td><td>41</td></tr> <tr><td>40</td><td></td><td></td><td>37</td><td></td><td>35</td><td>34</td><td>33</td><td>32</td><td></td><td>30</td><td>29</td><td></td><td></td><td>27</td><td>26</td><td></td><td></td><td></td><td></td><td>22</td><td>21</td></tr> <tr><td>20</td><td>19</td><td>18</td><td>17</td><td>16</td><td></td><td>14</td><td></td><td>12</td><td></td><td>10</td><td>9</td><td>8</td><td>7</td><td>6</td><td>5</td><td></td><td></td><td></td><td>3</td><td>2</td><td>1</td></tr> </table>			78								71	70	69	68	67	66	65	64	63		61			58	57	56			53	52	51	50								44	43		41	40			37		35	34	33	32		30	29			27	26					22	21	20	19	18	17	16		14		12		10	9	8	7	6	5				3	2	1	
		78								71	70	69	68	67	66	65	64	63		61																																																																											
		58	57	56			53	52	51	50								44	43		41																																																																										
40			37		35	34	33	32		30	29			27	26					22	21																																																																										
20	19	18	17	16		14		12		10	9	8	7	6	5				3	2	1																																																																										
AVAILABLE	NOT APPLICABLE	34566-9003	0	B	ST GRY		<table border="1"> <tr><td></td><td></td><td></td><td>69</td><td>68</td><td></td><td>66</td><td></td><td></td><td></td><td></td><td></td><td></td><td></td><td></td><td>59</td><td>57</td><td>55</td><td>53</td></tr> <tr><td></td><td></td><td></td><td>49</td><td>48</td><td></td><td>46</td><td></td><td>44</td><td></td><td></td><td></td><td></td><td></td><td></td><td>39</td><td>37</td><td>35</td><td>33</td></tr> <tr><td></td><td></td><td>73</td><td></td><td></td><td></td><td></td><td></td><td>29</td><td>28</td><td></td><td></td><td></td><td></td><td></td><td>23</td><td>21</td><td></td><td></td><td>18</td><td></td></tr> <tr><td></td><td></td><td></td><td></td><td></td><td></td><td></td><td></td><td></td><td></td><td>11</td><td>10</td><td></td><td></td><td></td><td>7</td><td></td><td></td><td></td><td></td><td></td><td></td></tr> </table>				69	68		66									59	57	55	53				49	48		46		44							39	37	35	33			73						29	28						23	21			18												11	10				7													
			69	68		66									59	57	55	53																																																																													
			49	48		46		44							39	37	35	33																																																																													
		73						29	28						23	21			18																																																																												
										11	10				7																																																																																
AVAILABLE	NOT APPLICABLE	34566-9103	0	A	BLACK		<table border="1"> <tr><td></td><td></td><td></td><td></td><td>68</td><td></td><td>65</td><td></td><td>63</td><td></td><td>61</td><td></td><td></td><td>59</td><td>58</td><td></td><td>56</td><td></td><td></td><td></td><td></td><td>53</td></tr> <tr><td>52</td><td>51</td><td>50</td><td></td><td></td><td>47</td><td></td><td></td><td></td><td></td><td>41</td><td></td><td></td><td></td><td>38</td><td>37</td><td>36</td><td>35</td><td>34</td><td></td><td>33</td><td></td></tr> <tr><td></td><td></td><td></td><td></td><td>73</td><td></td><td>32</td><td>31</td><td>30</td><td>29</td><td>28</td><td>27</td><td></td><td>25</td><td>24</td><td>23</td><td>22</td><td>21</td><td>20</td><td>19</td><td>18</td><td>17</td></tr> <tr><td></td><td></td><td></td><td></td><td></td><td></td><td>16</td><td>15</td><td>14</td><td>13</td><td>12</td><td>11</td><td>10</td><td>9</td><td></td><td></td><td></td><td></td><td></td><td></td><td></td><td>1</td></tr> </table>					68		65		63		61			59	58		56					53	52	51	50			47					41				38	37	36	35	34		33						73		32	31	30	29	28	27		25	24	23	22	21	20	19	18	17							16	15	14	13	12	11	10	9								1
				68		65		63		61			59	58		56					53																																																																										
52	51	50			47					41				38	37	36	35	34		33																																																																											
				73		32	31	30	29	28	27		25	24	23	22	21	20	19	18	17																																																																										
						16	15	14	13	12	11	10	9								1																																																																										

SEE NEXT PAGE FOR ADDITIONAL NUMBERS




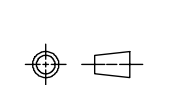
THIS DRAWING CONTAINS INFORMATION THAT IS PROPRIETARY TO MOLEX ELECTRONIC TECHNOLOGIES, LLC AND SHOULD NOT BE USED WITHOUT WRITTEN PERMISSION																
EC NO: 120093 DRWN: APODDATURI CHKD: REV APPR: VKOSHY	2017/07/13	GENERAL TOLERANCES (UNLESS SPECIFIED)	DIMENSION UNITS	SCALE	<p>MX123 66/73/80CKT HRNS CONN ASSY</p> <p>PRODUCT CUSTOMER DRAWING</p>											
	2017/08/08		MM	1:1												
			ANGULAR TOL ±	°												
			4 PLACES ±													
			3 PLACES ±													
		2 PLACES ±														
	1 PLACE ±															
	0 PLACES ±															
		DRAFT WHERE APPLICABLE MUST REMAIN WITHIN DIMENSIONS	DRAWING SIZE	THIRD ANGLE PROJECTION	<table border="1"> <tr> <td>SERIES</td> <td>MATERIAL NUMBER</td> <td>CUSTOMER</td> </tr> <tr> <td>34566</td> <td>SEE BOM TABLE</td> <td>GENERAL MARKET</td> </tr> </table>						SERIES	MATERIAL NUMBER	CUSTOMER	34566	SEE BOM TABLE	GENERAL MARKET
SERIES	MATERIAL NUMBER	CUSTOMER														
34566	SEE BOM TABLE	GENERAL MARKET														
G55		D			DOCUMENT NUMBER	DOC TYPE	DOC PART	SHEET NUMBER								
					SD-34566-001	PSD	000	17 OF 98								

STATUS	GM PART #	MATERIAL #	WIRE DRESS OPTION	KEY OPTION	COLOR (TPA)	NUMBERS INDICATE CAVITIES OPEN FOR CIRCUITS																																																																															
AVAILABLE	NOT APPLICABLE	34566-9203	0	A	BLACK	<table border="1"> <tr><td>72</td><td>71</td><td>70</td><td>69</td><td>68</td><td>67</td><td>66</td><td></td><td>64</td><td>63</td><td>62</td><td></td><td>60</td><td>59</td><td></td><td></td><td>55</td><td>54</td><td>53</td></tr> <tr><td>52</td><td></td><td></td><td>49</td><td>48</td><td></td><td></td><td></td><td>44</td><td>43</td><td>42</td><td></td><td>40</td><td>39</td><td>38</td><td></td><td>35</td><td>34</td><td>33</td></tr> <tr><td></td><td></td><td>73</td><td></td><td></td><td></td><td>30</td><td>29</td><td>28</td><td>27</td><td></td><td></td><td>24</td><td>23</td><td></td><td></td><td>19</td><td>18</td><td>17</td></tr> <tr><td></td><td></td><td></td><td>16</td><td></td><td></td><td>13</td><td>12</td><td>11</td><td></td><td>9</td><td>8</td><td>7</td><td>6</td><td>5</td><td>4</td><td>3</td><td>2</td><td>1</td></tr> </table>	72	71	70	69	68	67	66		64	63	62		60	59			55	54	53	52			49	48				44	43	42		40	39	38		35	34	33			73				30	29	28	27			24	23			19	18	17				16			13	12	11		9	8	7	6	5	4	3	2	1			
72	71	70	69	68	67	66		64	63	62		60	59			55	54	53																																																																			
52			49	48				44	43	42		40	39	38		35	34	33																																																																			
		73				30	29	28	27			24	23			19	18	17																																																																			
			16			13	12	11		9	8	7	6	5	4	3	2	1																																																																			
AVAILABLE	NOT APPLICABLE	34566-9303	0	A	BLACK	<table border="1"> <tr><td>72</td><td>71</td><td></td><td>69</td><td>68</td><td>67</td><td>66</td><td></td><td>64</td><td>63</td><td>62</td><td></td><td>59</td><td>58</td><td>57</td><td>56</td><td>55</td><td>54</td><td>53</td></tr> <tr><td>52</td><td>51</td><td>50</td><td>49</td><td>48</td><td>47</td><td>46</td><td></td><td>44</td><td>43</td><td>42</td><td></td><td>39</td><td>38</td><td>37</td><td>36</td><td>35</td><td>34</td><td>33</td></tr> <tr><td></td><td></td><td>73</td><td></td><td>32</td><td>31</td><td>30</td><td>29</td><td></td><td>27</td><td></td><td></td><td>24</td><td>23</td><td>22</td><td>21</td><td>20</td><td>19</td><td>17</td></tr> <tr><td></td><td></td><td></td><td></td><td>15</td><td>14</td><td>13</td><td>12</td><td>11</td><td></td><td>9</td><td>8</td><td>7</td><td>6</td><td>5</td><td>4</td><td>3</td><td>2</td><td>1</td></tr> </table>	72	71		69	68	67	66		64	63	62		59	58	57	56	55	54	53	52	51	50	49	48	47	46		44	43	42		39	38	37	36	35	34	33			73		32	31	30	29		27			24	23	22	21	20	19	17					15	14	13	12	11		9	8	7	6	5	4	3	2	1			
72	71		69	68	67	66		64	63	62		59	58	57	56	55	54	53																																																																			
52	51	50	49	48	47	46		44	43	42		39	38	37	36	35	34	33																																																																			
		73		32	31	30	29		27			24	23	22	21	20	19	17																																																																			
				15	14	13	12	11		9	8	7	6	5	4	3	2	1																																																																			
AVAILABLE	NOT APPLICABLE	34566-9403	0	B	ST GRY	<table border="1"> <tr><td></td><td></td><td></td><td></td><td>68</td><td>67</td><td>66</td><td>65</td><td></td><td></td><td></td><td></td><td>59</td><td>58</td><td>57</td><td></td><td></td><td>54</td><td>53</td></tr> <tr><td></td><td>51</td><td>50</td><td>49</td><td>48</td><td></td><td>46</td><td>45</td><td></td><td>43</td><td>42</td><td>41</td><td>40</td><td>39</td><td>38</td><td>37</td><td></td><td>35</td><td>33</td></tr> <tr><td></td><td></td><td>73</td><td></td><td>32</td><td>31</td><td>30</td><td></td><td></td><td></td><td>26</td><td></td><td>24</td><td>23</td><td>22</td><td></td><td>20</td><td></td><td></td></tr> <tr><td></td><td></td><td></td><td></td><td>16</td><td></td><td></td><td>13</td><td></td><td></td><td>10</td><td>9</td><td>8</td><td>7</td><td>6</td><td>5</td><td>4</td><td></td><td></td></tr> </table>					68	67	66	65					59	58	57			54	53		51	50	49	48		46	45		43	42	41	40	39	38	37		35	33			73		32	31	30				26		24	23	22		20							16			13			10	9	8	7	6	5	4					
				68	67	66	65					59	58	57			54	53																																																																			
	51	50	49	48		46	45		43	42	41	40	39	38	37		35	33																																																																			
		73		32	31	30				26		24	23	22		20																																																																					
				16			13			10	9	8	7	6	5	4																																																																					
AVAILABLE	NOT APPLICABLE	34566-9503	0	A	BLACK	<table border="1"> <tr><td>72</td><td>71</td><td>70</td><td>69</td><td>68</td><td></td><td></td><td>65</td><td>64</td><td>63</td><td></td><td>61</td><td></td><td>59</td><td>58</td><td>57</td><td>56</td><td></td><td></td></tr> <tr><td>52</td><td>51</td><td></td><td>49</td><td></td><td>47</td><td></td><td></td><td></td><td></td><td></td><td>41</td><td></td><td></td><td>38</td><td>37</td><td>36</td><td></td><td>34</td><td>33</td></tr> <tr><td></td><td></td><td>73</td><td></td><td>32</td><td>31</td><td>30</td><td>29</td><td>28</td><td>27</td><td></td><td></td><td>24</td><td>23</td><td></td><td></td><td>20</td><td>19</td><td>18</td><td>17</td></tr> <tr><td></td><td></td><td></td><td></td><td>16</td><td></td><td></td><td>13</td><td>12</td><td>11</td><td>10</td><td>9</td><td></td><td></td><td></td><td></td><td></td><td></td><td></td><td>1</td></tr> </table>	72	71	70	69	68			65	64	63		61		59	58	57	56			52	51		49		47						41			38	37	36		34	33			73		32	31	30	29	28	27			24	23			20	19	18	17					16			13	12	11	10	9								1
72	71	70	69	68			65	64	63		61		59	58	57	56																																																																					
52	51		49		47						41			38	37	36		34	33																																																																		
		73		32	31	30	29	28	27			24	23			20	19	18	17																																																																		
				16			13	12	11	10	9								1																																																																		
AVAILABLE	NOT APPLICABLE	34566-9603	0	A	BLACK	<table border="1"> <tr><td></td><td>71</td><td>70</td><td>69</td><td>68</td><td></td><td>66</td><td>65</td><td>64</td><td>63</td><td></td><td>61</td><td></td><td>59</td><td>58</td><td>57</td><td>56</td><td></td><td></td></tr> <tr><td>52</td><td></td><td>50</td><td>49</td><td></td><td>47</td><td></td><td></td><td></td><td></td><td></td><td>41</td><td></td><td></td><td>38</td><td>37</td><td>36</td><td>35</td><td>34</td><td>33</td></tr> <tr><td></td><td></td><td>73</td><td></td><td>32</td><td>31</td><td>30</td><td>29</td><td>28</td><td>27</td><td></td><td></td><td>24</td><td>23</td><td></td><td></td><td>20</td><td>19</td><td>18</td><td>17</td></tr> <tr><td></td><td></td><td></td><td></td><td>16</td><td>15</td><td>14</td><td>13</td><td>12</td><td>11</td><td>10</td><td>9</td><td></td><td></td><td></td><td></td><td></td><td></td><td></td><td>1</td></tr> </table>		71	70	69	68		66	65	64	63		61		59	58	57	56			52		50	49		47						41			38	37	36	35	34	33			73		32	31	30	29	28	27			24	23			20	19	18	17					16	15	14	13	12	11	10	9								1
	71	70	69	68		66	65	64	63		61		59	58	57	56																																																																					
52		50	49		47						41			38	37	36	35	34	33																																																																		
		73		32	31	30	29	28	27			24	23			20	19	18	17																																																																		
				16	15	14	13	12	11	10	9								1																																																																		
AVAILABLE	NOT APPLICABLE	34566-9703	0	A	BLACK	<table border="1"> <tr><td>72</td><td>71</td><td>70</td><td>69</td><td>68</td><td></td><td></td><td>65</td><td>64</td><td>63</td><td></td><td>61</td><td></td><td>59</td><td></td><td>57</td><td>56</td><td></td><td></td></tr> <tr><td>52</td><td>51</td><td>50</td><td>49</td><td></td><td>47</td><td></td><td></td><td></td><td></td><td></td><td>41</td><td></td><td></td><td>38</td><td>37</td><td>36</td><td></td><td>34</td><td>33</td></tr> <tr><td></td><td></td><td>73</td><td></td><td>32</td><td>31</td><td>30</td><td>29</td><td>28</td><td>27</td><td></td><td></td><td>24</td><td>23</td><td></td><td></td><td>20</td><td>19</td><td>18</td><td></td></tr> <tr><td></td><td></td><td></td><td></td><td>16</td><td></td><td></td><td>13</td><td>12</td><td>11</td><td>10</td><td>9</td><td></td><td></td><td></td><td></td><td></td><td>3</td><td>2</td><td>1</td></tr> </table>	72	71	70	69	68			65	64	63		61		59		57	56			52	51	50	49		47						41			38	37	36		34	33			73		32	31	30	29	28	27			24	23			20	19	18						16			13	12	11	10	9						3	2	1
72	71	70	69	68			65	64	63		61		59		57	56																																																																					
52	51	50	49		47						41			38	37	36		34	33																																																																		
		73		32	31	30	29	28	27			24	23			20	19	18																																																																			
				16			13	12	11	10	9						3	2	1																																																																		
AVAILABLE	NOT APPLICABLE	34566-9803	0	A	BLACK	<table border="1"> <tr><td>72</td><td>71</td><td>70</td><td>69</td><td>68</td><td></td><td></td><td>65</td><td>64</td><td>63</td><td></td><td>61</td><td></td><td>59</td><td></td><td>57</td><td>56</td><td></td><td></td></tr> <tr><td>52</td><td>51</td><td>50</td><td>49</td><td></td><td>47</td><td></td><td></td><td></td><td></td><td></td><td>41</td><td></td><td></td><td>38</td><td>37</td><td>36</td><td></td><td>34</td><td>33</td></tr> <tr><td></td><td></td><td>73</td><td></td><td>32</td><td>31</td><td>30</td><td>29</td><td>28</td><td>27</td><td></td><td></td><td>24</td><td>23</td><td></td><td></td><td>20</td><td>19</td><td>18</td><td></td></tr> <tr><td></td><td></td><td></td><td></td><td>16</td><td></td><td></td><td>13</td><td>12</td><td>11</td><td>10</td><td>9</td><td></td><td></td><td></td><td></td><td></td><td></td><td></td><td>1</td></tr> </table>	72	71	70	69	68			65	64	63		61		59		57	56			52	51	50	49		47						41			38	37	36		34	33			73		32	31	30	29	28	27			24	23			20	19	18						16			13	12	11	10	9								1
72	71	70	69	68			65	64	63		61		59		57	56																																																																					
52	51	50	49		47						41			38	37	36		34	33																																																																		
		73		32	31	30	29	28	27			24	23			20	19	18																																																																			
				16			13	12	11	10	9								1																																																																		
AVAILABLE	NOT APPLICABLE	34566-9903	0	A	BLACK	<table border="1"> <tr><td></td><td>71</td><td></td><td>69</td><td>68</td><td></td><td></td><td>65</td><td>64</td><td>63</td><td></td><td>61</td><td></td><td>59</td><td>58</td><td>57</td><td>56</td><td></td><td></td></tr> <tr><td>52</td><td></td><td>50</td><td>49</td><td></td><td>47</td><td></td><td></td><td></td><td></td><td></td><td>41</td><td></td><td></td><td>38</td><td>37</td><td>36</td><td></td><td>34</td><td>33</td></tr> <tr><td></td><td></td><td>73</td><td></td><td>32</td><td>31</td><td>30</td><td>29</td><td>28</td><td>27</td><td></td><td></td><td>24</td><td>23</td><td></td><td></td><td>20</td><td>19</td><td>18</td><td>17</td></tr> <tr><td></td><td></td><td></td><td></td><td>16</td><td></td><td></td><td>13</td><td>12</td><td>11</td><td>10</td><td>9</td><td></td><td></td><td></td><td></td><td></td><td></td><td></td><td>1</td></tr> </table>		71		69	68			65	64	63		61		59	58	57	56			52		50	49		47						41			38	37	36		34	33			73		32	31	30	29	28	27			24	23			20	19	18	17					16			13	12	11	10	9								1
	71		69	68			65	64	63		61		59	58	57	56																																																																					
52		50	49		47						41			38	37	36		34	33																																																																		
		73		32	31	30	29	28	27			24	23			20	19	18	17																																																																		
				16			13	12	11	10	9								1																																																																		

SEE NEXT PAGE FOR ADDITIONAL NUMBERS

PRE-RELEASE REFERENCE USE ONLY

THIS DRAWING CONTAINS INFORMATION THAT IS PROPRIETARY TO MOLEX ELECTRONIC TECHNOLOGIES, LLC AND SHOULD NOT BE USED WITHOUT WRITTEN PERMISSION


EC NO: 120093 DRWN: APODDATURI CHKD: REV APPR: VKOSHY	2017/07/13	GENERAL TOLERANCES (UNLESS SPECIFIED)	DIMENSION UNITS	SCALE		
	2017/08/08	ANGULAR TOL ± °	MM	1:1		
		4 PLACES ±	DRWN BY	DATE		MX123
		3 PLACES ±	SKRAJENDRANA	2011/02/14		66/73/80CKT HRNS CONN ASSY
		2 PLACES ±	CHKD BY	DATE		PRODUCT CUSTOMER DRAWING
	1 PLACE ±	MVANSLAMBROU	2011/02/14			
	0 PLACES ±	APPR BY	DATE			
	DRAFT WHERE APPLICABLE MUST REMAIN WITHIN DIMENSIONS	DRAWING SIZE	THIRD ANGLE PROJECTION			
		D				

SERIES	MATERIAL NUMBER	CUSTOMER
34566	SEE BOM TABLE	GENERAL MARKET
DOCUMENT NUMBER	DOC TYPE	DOC PART SHEET NUMBER
SD-34566-001	PSD	000 18 OF 98

STATUS	GM PART #	MATERIAL #	WIRE DRESS OPTION	KEY OPTION	COLOR (TPA)	NUMBERS INDICATE CAVITIES OPEN FOR CIRCUITS																																																																																
AVAILABLE	NOT APPLICABLE	34566-1013	0	A	BLACK	<table border="1"> <tr><td></td><td>71</td><td></td><td>69</td><td>68</td><td></td><td></td><td>65</td><td>64</td><td>63</td><td>61</td><td></td><td>59</td><td>58</td><td>57</td><td>56</td><td></td><td></td><td></td></tr> <tr><td>52</td><td></td><td>50</td><td>49</td><td></td><td>47</td><td></td><td></td><td></td><td></td><td>41</td><td></td><td></td><td>38</td><td>37</td><td>36</td><td></td><td>34</td><td>33</td></tr> <tr><td></td><td></td><td></td><td></td><td></td><td>32</td><td>31</td><td>30</td><td>29</td><td>28</td><td>27</td><td></td><td>24</td><td>23</td><td></td><td>20</td><td>19</td><td>18</td><td>17</td></tr> <tr><td></td><td></td><td></td><td></td><td></td><td>16</td><td></td><td></td><td>13</td><td>12</td><td>11</td><td>10</td><td>9</td><td></td><td></td><td></td><td>3</td><td>2</td><td>1</td></tr> </table>		71		69	68			65	64	63	61		59	58	57	56				52		50	49		47					41			38	37	36		34	33						32	31	30	29	28	27		24	23		20	19	18	17						16			13	12	11	10	9				3	2	1				
	71		69	68			65	64	63	61		59	58	57	56																																																																							
52		50	49		47					41			38	37	36		34	33																																																																				
					32	31	30	29	28	27		24	23		20	19	18	17																																																																				
					16			13	12	11	10	9				3	2	1																																																																				
AVAILABLE	NOT APPLICABLE	34566-1023	0	A	BLACK	<table border="1"> <tr><td></td><td></td><td>70</td><td></td><td></td><td>67</td><td>66</td><td>65</td><td></td><td></td><td></td><td></td><td></td><td>58</td><td>57</td><td></td><td>55</td><td>54</td><td></td></tr> <tr><td></td><td></td><td>50</td><td>49</td><td></td><td>47</td><td></td><td></td><td>44</td><td>43</td><td>42</td><td>41</td><td></td><td>39</td><td></td><td>37</td><td></td><td>35</td><td></td></tr> <tr><td></td><td></td><td></td><td></td><td></td><td>32</td><td></td><td>30</td><td></td><td></td><td>27</td><td>25</td><td>24</td><td></td><td>21</td><td>20</td><td>19</td><td>18</td><td>17</td></tr> <tr><td></td><td></td><td></td><td></td><td></td><td>16</td><td>15</td><td></td><td>13</td><td></td><td></td><td>10</td><td>9</td><td>8</td><td></td><td>6</td><td>5</td><td></td><td>3</td><td>2</td><td>1</td></tr> </table>			70			67	66	65						58	57		55	54				50	49		47			44	43	42	41		39		37		35							32		30			27	25	24		21	20	19	18	17						16	15		13			10	9	8		6	5		3	2	1		
		70			67	66	65						58	57		55	54																																																																					
		50	49		47			44	43	42	41		39		37		35																																																																					
					32		30			27	25	24		21	20	19	18	17																																																																				
					16	15		13			10	9	8		6	5		3	2	1																																																																		
AVAILABLE	NOT APPLICABLE	34566-1033	0	A	BLACK	<table border="1"> <tr><td>72</td><td></td><td>70</td><td></td><td></td><td>67</td><td>66</td><td>65</td><td></td><td></td><td></td><td></td><td></td><td>58</td><td>57</td><td></td><td>55</td><td>54</td><td></td></tr> <tr><td></td><td></td><td>50</td><td>49</td><td></td><td>47</td><td></td><td></td><td>44</td><td>43</td><td>42</td><td>41</td><td></td><td>39</td><td></td><td>37</td><td></td><td>35</td><td></td></tr> <tr><td></td><td></td><td></td><td></td><td></td><td>32</td><td></td><td>30</td><td></td><td></td><td>27</td><td>26</td><td>25</td><td>24</td><td></td><td>21</td><td>20</td><td>19</td><td>18</td><td>17</td></tr> <tr><td></td><td></td><td></td><td></td><td></td><td>16</td><td>15</td><td></td><td>13</td><td></td><td></td><td>10</td><td>9</td><td>8</td><td></td><td>6</td><td>5</td><td></td><td>3</td><td>2</td><td>1</td></tr> </table>	72		70			67	66	65						58	57		55	54				50	49		47			44	43	42	41		39		37		35							32		30			27	26	25	24		21	20	19	18	17						16	15		13			10	9	8		6	5		3	2	1	
72		70			67	66	65						58	57		55	54																																																																					
		50	49		47			44	43	42	41		39		37		35																																																																					
					32		30			27	26	25	24		21	20	19	18	17																																																																			
					16	15		13			10	9	8		6	5		3	2	1																																																																		
AVAILABLE	NOT APPLICABLE	34566-1043	0	B	ST GRY	<table border="1"> <tr><td></td><td>71</td><td>70</td><td></td><td>68</td><td></td><td>66</td><td>65</td><td></td><td></td><td></td><td></td><td></td><td>59</td><td>58</td><td>57</td><td></td><td></td><td>54</td><td>53</td></tr> <tr><td></td><td>51</td><td>50</td><td>49</td><td>48</td><td></td><td>46</td><td>45</td><td></td><td>43</td><td></td><td>41</td><td>40</td><td>39</td><td>38</td><td>37</td><td>36</td><td>35</td><td></td><td>33</td></tr> <tr><td></td><td></td><td></td><td></td><td></td><td>32</td><td>31</td><td>30</td><td></td><td></td><td></td><td></td><td>24</td><td>23</td><td>22</td><td></td><td>20</td><td></td><td></td><td></td></tr> <tr><td></td><td></td><td></td><td></td><td></td><td>16</td><td></td><td></td><td>13</td><td>12</td><td>11</td><td>10</td><td>9</td><td>8</td><td>7</td><td>6</td><td>5</td><td>4</td><td></td><td></td></tr> </table>		71	70		68		66	65						59	58	57			54	53		51	50	49	48		46	45		43		41	40	39	38	37	36	35		33						32	31	30					24	23	22		20									16			13	12	11	10	9	8	7	6	5	4		
	71	70		68		66	65						59	58	57			54	53																																																																			
	51	50	49	48		46	45		43		41	40	39	38	37	36	35		33																																																																			
					32	31	30					24	23	22		20																																																																						
					16			13	12	11	10	9	8	7	6	5	4																																																																					
AVAILABLE	NOT APPLICABLE	34566-1053	0	H	ST GRY	<table border="1"> <tr><td></td><td>79</td><td>78</td><td>77</td><td>76</td><td>75</td><td>74</td><td>73</td><td>72</td><td>71</td><td>70</td><td>69</td><td>68</td><td></td><td>66</td><td>65</td><td>64</td><td>63</td><td></td><td>61</td></tr> <tr><td>60</td><td>59</td><td>58</td><td>57</td><td>56</td><td></td><td></td><td>53</td><td>52</td><td></td><td>50</td><td></td><td></td><td></td><td></td><td></td><td>44</td><td>43</td><td></td><td>41</td></tr> <tr><td>40</td><td>39</td><td>38</td><td>37</td><td></td><td>35</td><td>34</td><td>33</td><td>32</td><td></td><td>30</td><td>29</td><td></td><td>27</td><td>26</td><td></td><td></td><td></td><td>22</td><td>21</td></tr> <tr><td>20</td><td>19</td><td>18</td><td>17</td><td>16</td><td></td><td>14</td><td>13</td><td>12</td><td>11</td><td></td><td>9</td><td>8</td><td></td><td>6</td><td>5</td><td></td><td>3</td><td>2</td><td></td></tr> </table>		79	78	77	76	75	74	73	72	71	70	69	68		66	65	64	63		61	60	59	58	57	56			53	52		50						44	43		41	40	39	38	37		35	34	33	32		30	29		27	26				22	21	20	19	18	17	16		14	13	12	11		9	8		6	5		3	2	
	79	78	77	76	75	74	73	72	71	70	69	68		66	65	64	63		61																																																																			
60	59	58	57	56			53	52		50						44	43		41																																																																			
40	39	38	37		35	34	33	32		30	29		27	26				22	21																																																																			
20	19	18	17	16		14	13	12	11		9	8		6	5		3	2																																																																				
AVAILABLE	NOT APPLICABLE	34566-1063	0	B	ST GRY	<table border="1"> <tr><td></td><td></td><td></td><td></td><td></td><td></td><td></td><td>65</td><td></td><td></td><td></td><td></td><td>60</td><td>59</td><td></td><td>57</td><td>56</td><td>55</td><td></td><td>53</td></tr> <tr><td></td><td></td><td></td><td>49</td><td>48</td><td>47</td><td></td><td></td><td>44</td><td></td><td></td><td></td><td>40</td><td>39</td><td></td><td>37</td><td>36</td><td>35</td><td></td><td>33</td></tr> <tr><td></td><td></td><td></td><td></td><td></td><td></td><td></td><td>29</td><td>28</td><td></td><td></td><td></td><td>24</td><td>23</td><td></td><td>21</td><td></td><td></td><td></td><td></td></tr> <tr><td></td><td></td><td></td><td></td><td></td><td></td><td></td><td></td><td></td><td></td><td></td><td></td><td></td><td></td><td></td><td></td><td></td><td></td><td></td><td>2</td></tr> </table>								65					60	59		57	56	55		53				49	48	47			44				40	39		37	36	35		33								29	28				24	23		21																								2
							65					60	59		57	56	55		53																																																																			
			49	48	47			44				40	39		37	36	35		33																																																																			
							29	28				24	23		21																																																																							
																			2																																																																			
AVAILABLE	NOT APPLICABLE	34566-1073	0	A	BLACK	<table border="1"> <tr><td>72</td><td>71</td><td>70</td><td>69</td><td>68</td><td>67</td><td>66</td><td>65</td><td>64</td><td>63</td><td></td><td>61</td><td></td><td>59</td><td>58</td><td>57</td><td>56</td><td></td><td>54</td><td></td></tr> <tr><td></td><td></td><td>50</td><td>49</td><td>48</td><td>47</td><td></td><td></td><td></td><td></td><td></td><td>42</td><td>41</td><td></td><td>38</td><td>37</td><td>36</td><td></td><td>34</td><td>33</td></tr> <tr><td></td><td></td><td></td><td></td><td></td><td>32</td><td>31</td><td>30</td><td>29</td><td>28</td><td>27</td><td>26</td><td></td><td>24</td><td>23</td><td></td><td>20</td><td>19</td><td>18</td><td></td></tr> <tr><td></td><td></td><td></td><td></td><td></td><td>16</td><td></td><td></td><td>13</td><td>12</td><td>11</td><td>10</td><td>9</td><td></td><td></td><td></td><td></td><td></td><td></td><td></td></tr> </table>	72	71	70	69	68	67	66	65	64	63		61		59	58	57	56		54				50	49	48	47						42	41		38	37	36		34	33						32	31	30	29	28	27	26		24	23		20	19	18							16			13	12	11	10	9							
72	71	70	69	68	67	66	65	64	63		61		59	58	57	56		54																																																																				
		50	49	48	47						42	41		38	37	36		34	33																																																																			
					32	31	30	29	28	27	26		24	23		20	19	18																																																																				
					16			13	12	11	10	9																																																																										
AVAILABLE	NOT APPLICABLE	34566-1083	0	B	ST GRY	<table border="1"> <tr><td></td><td></td><td></td><td></td><td>68</td><td>67</td><td>66</td><td>65</td><td>64</td><td></td><td></td><td></td><td></td><td>59</td><td>58</td><td>57</td><td></td><td>55</td><td>54</td><td>53</td></tr> <tr><td></td><td>51</td><td>50</td><td>49</td><td>48</td><td></td><td>46</td><td>45</td><td></td><td>43</td><td>42</td><td>41</td><td>40</td><td>39</td><td>38</td><td>37</td><td></td><td>35</td><td></td><td>33</td></tr> <tr><td></td><td></td><td></td><td></td><td></td><td>32</td><td>31</td><td>30</td><td></td><td></td><td>26</td><td></td><td>24</td><td>23</td><td>22</td><td></td><td>20</td><td></td><td></td><td></td></tr> <tr><td></td><td></td><td></td><td></td><td></td><td>16</td><td></td><td></td><td>13</td><td></td><td></td><td>10</td><td>9</td><td>8</td><td>7</td><td>6</td><td>5</td><td>4</td><td>3</td><td>2</td></tr> </table>					68	67	66	65	64					59	58	57		55	54	53		51	50	49	48		46	45		43	42	41	40	39	38	37		35		33						32	31	30			26		24	23	22		20									16			13			10	9	8	7	6	5	4	3	2
				68	67	66	65	64					59	58	57		55	54	53																																																																			
	51	50	49	48		46	45		43	42	41	40	39	38	37		35		33																																																																			
					32	31	30			26		24	23	22		20																																																																						
					16			13			10	9	8	7	6	5	4	3	2																																																																			


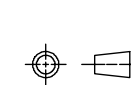
SEE NEXT PAGE FOR ADDITIONAL NUMBERS

PRE-RELEASE REFERENCE USE ONLY

THIS DRAWING CONTAINS INFORMATION THAT IS PROPRIETARY TO MOLEX ELECTRONIC TECHNOLOGIES, LLC AND SHOULD NOT BE USED WITHOUT WRITTEN PERMISSION											
EC NO: 120093 DRWN: APODDATURI CHKD: REV APPR: VKOSHY	2017/07/13	GENERAL TOLERANCES (UNLESS SPECIFIED)		DIMENSION UNITS	SCALE						
	2017/08/08	ANGULAR TOL ± °		MM	1:1						
		4 PLACES ±	SKRAJENDRANA	DATE	2011/02/14						
		3 PLACES ±	CHKD BY	DATE							
		2 PLACES ±	MVANSLAMBROU	DATE	2011/02/14						
		1 PLACE ±	APPR BY	DATE							
	0 PLACES ±	DRAFT WHERE APPLICABLE MUST REMAIN WITHIN DIMENSIONS		DRAWING SIZE	THIRD ANGLE PROJECTION	PRODUCT CUSTOMER DRAWING					
G55		D		D		34566		SEE BOM TABLE		GENERAL MARKET	
RELEASE STATUS		RELEASE DATE		DOCUMENT NUMBER		DOC TYPE		DOC PART		SHEET NUMBER	
				SD-34566-001		PSD		000		19 OF 98	


STATUS	GM PART #	MATERIAL #	WIRE DRESS OPTION	KEY OPTION E	COLOR (TPA) E	NUMBERS INDICATE CAVITIES OPEN FOR CIRCUITS Fp																																																																																						
AVAILABLE	NOT APPLICABLE	34566-1093	0	A	BLACK	<table border="1"> <tr><td></td><td></td><td>70</td><td></td><td>68</td><td>67</td><td>66</td><td></td><td></td><td></td><td></td><td></td><td></td><td></td><td></td><td>58</td><td></td><td>56</td><td>55</td><td>54</td><td></td></tr> <tr><td></td><td></td><td></td><td>49</td><td></td><td>47</td><td></td><td></td><td>44</td><td>43</td><td>42</td><td>41</td><td></td><td></td><td>39</td><td></td><td>37</td><td>36</td><td></td><td>34</td><td></td></tr> <tr><td></td><td></td><td>73</td><td></td><td></td><td>31</td><td>30</td><td></td><td></td><td>27</td><td></td><td>25</td><td>24</td><td></td><td></td><td>21</td><td>20</td><td>19</td><td>18</td><td></td><td></td></tr> <tr><td></td><td></td><td></td><td></td><td></td><td></td><td></td><td>13</td><td></td><td></td><td></td><td></td><td></td><td></td><td></td><td>6</td><td>5</td><td>4</td><td>3</td><td></td><td>1</td></tr> </table>			70		68	67	66									58		56	55	54					49		47			44	43	42	41			39		37	36		34				73			31	30			27		25	24			21	20	19	18										13								6	5	4	3		1		
		70		68	67	66									58		56	55	54																																																																									
			49		47			44	43	42	41			39		37	36		34																																																																									
		73			31	30			27		25	24			21	20	19	18																																																																										
							13								6	5	4	3		1																																																																								
AVAILABLE	NOT APPLICABLE	34566-1123	0	H	ST GRY	<table border="1"> <tr><td></td><td></td><td>78</td><td></td><td></td><td></td><td></td><td></td><td></td><td>72</td><td>71</td><td>70</td><td>69</td><td>68</td><td>67</td><td>66</td><td>65</td><td>64</td><td>63</td><td>61</td><td></td></tr> <tr><td></td><td></td><td></td><td>58</td><td>57</td><td>56</td><td></td><td></td><td>53</td><td>52</td><td>51</td><td>50</td><td></td><td></td><td></td><td></td><td></td><td>44</td><td>43</td><td></td><td>41</td></tr> <tr><td>40</td><td></td><td></td><td>37</td><td></td><td>35</td><td>34</td><td>33</td><td>32</td><td></td><td>30</td><td>29</td><td></td><td></td><td>27</td><td>26</td><td></td><td></td><td></td><td>22</td><td>21</td></tr> <tr><td>20</td><td>19</td><td>18</td><td>17</td><td>16</td><td></td><td>14</td><td></td><td>12</td><td></td><td>10</td><td>9</td><td>8</td><td>7</td><td>6</td><td>5</td><td></td><td></td><td>3</td><td>2</td><td>1</td></tr> </table>			78							72	71	70	69	68	67	66	65	64	63	61					58	57	56			53	52	51	50						44	43		41	40			37		35	34	33	32		30	29			27	26				22	21	20	19	18	17	16		14		12		10	9	8	7	6	5			3	2	1		
		78							72	71	70	69	68	67	66	65	64	63	61																																																																									
			58	57	56			53	52	51	50						44	43		41																																																																								
40			37		35	34	33	32		30	29			27	26				22	21																																																																								
20	19	18	17	16		14		12		10	9	8	7	6	5			3	2	1																																																																								
AVAILABLE	NOT APPLICABLE	34566-1133	0	A	BLACK	<table border="1"> <tr><td></td><td></td><td>70</td><td></td><td>68</td><td>67</td><td>66</td><td></td><td></td><td></td><td></td><td></td><td></td><td></td><td></td><td>58</td><td>57</td><td></td><td>55</td><td>54</td><td></td></tr> <tr><td></td><td></td><td></td><td>49</td><td></td><td>47</td><td></td><td>45</td><td>44</td><td>43</td><td>42</td><td>41</td><td></td><td></td><td>39</td><td></td><td>37</td><td></td><td></td><td>34</td><td></td></tr> <tr><td></td><td></td><td>73</td><td></td><td></td><td>32</td><td></td><td>30</td><td></td><td></td><td>27</td><td></td><td>25</td><td>24</td><td></td><td></td><td>21</td><td>20</td><td>19</td><td>18</td><td></td></tr> <tr><td></td><td></td><td></td><td></td><td></td><td></td><td></td><td>13</td><td></td><td>11</td><td></td><td></td><td></td><td></td><td></td><td>6</td><td>5</td><td></td><td>3</td><td></td><td>1</td></tr> </table>			70		68	67	66									58	57		55	54					49		47		45	44	43	42	41			39		37			34				73			32		30			27		25	24			21	20	19	18									13		11						6	5		3		1		
		70		68	67	66									58	57		55	54																																																																									
			49		47		45	44	43	42	41			39		37			34																																																																									
		73			32		30			27		25	24			21	20	19	18																																																																									
							13		11						6	5		3		1																																																																								
AVAILABLE	NOT APPLICABLE	34566-1143	0	A	BLACK	<table border="1"> <tr><td></td><td></td><td></td><td></td><td>68</td><td></td><td></td><td>65</td><td>63</td><td>61</td><td></td><td>59</td><td>58</td><td></td><td>56</td><td></td><td></td><td></td><td></td><td>53</td><td></td></tr> <tr><td>52</td><td></td><td>50</td><td></td><td></td><td>47</td><td></td><td></td><td></td><td>41</td><td></td><td></td><td></td><td></td><td>38</td><td>37</td><td>36</td><td>35</td><td>34</td><td>33</td><td></td></tr> <tr><td></td><td></td><td>73</td><td></td><td></td><td>32</td><td>31</td><td>30</td><td>29</td><td>28</td><td>27</td><td></td><td>25</td><td>24</td><td>23</td><td>22</td><td>21</td><td>20</td><td>19</td><td>18</td><td>17</td></tr> <tr><td></td><td></td><td></td><td></td><td></td><td>16</td><td>15</td><td>14</td><td>13</td><td>12</td><td>11</td><td>10</td><td>9</td><td></td><td></td><td></td><td></td><td></td><td></td><td></td><td>1</td></tr> </table>					68			65	63	61		59	58		56					53		52		50			47				41					38	37	36	35	34	33				73			32	31	30	29	28	27		25	24	23	22	21	20	19	18	17						16	15	14	13	12	11	10	9								1		
				68			65	63	61		59	58		56					53																																																																									
52		50			47				41					38	37	36	35	34	33																																																																									
		73			32	31	30	29	28	27		25	24	23	22	21	20	19	18	17																																																																								
					16	15	14	13	12	11	10	9								1																																																																								
AVAILABLE	NOT APPLICABLE	34566-1153	0	A	BLACK	<table border="1"> <tr><td></td><td></td><td>70</td><td></td><td></td><td>67</td><td>66</td><td>65</td><td></td><td></td><td></td><td></td><td></td><td></td><td></td><td>58</td><td>57</td><td></td><td>55</td><td></td><td></td></tr> <tr><td></td><td></td><td></td><td>49</td><td></td><td>47</td><td></td><td></td><td>44</td><td>43</td><td>42</td><td>41</td><td></td><td></td><td>39</td><td></td><td>37</td><td></td><td></td><td></td><td></td></tr> <tr><td></td><td></td><td>73</td><td></td><td></td><td>32</td><td></td><td>30</td><td></td><td></td><td>27</td><td></td><td>25</td><td>24</td><td>23</td><td></td><td>21</td><td>20</td><td>19</td><td>18</td><td></td></tr> <tr><td></td><td></td><td></td><td></td><td></td><td></td><td></td><td>13</td><td></td><td></td><td></td><td></td><td>8</td><td></td><td></td><td>6</td><td>5</td><td></td><td>3</td><td></td><td>1</td></tr> </table>			70			67	66	65								58	57		55						49		47			44	43	42	41			39		37							73			32		30			27		25	24	23		21	20	19	18									13					8			6	5		3		1		
		70			67	66	65								58	57		55																																																																										
			49		47			44	43	42	41			39		37																																																																												
		73			32		30			27		25	24	23		21	20	19	18																																																																									
							13					8			6	5		3		1																																																																								
AVAILABLE	NOT APPLICABLE	34566-1163	0	H	ST GRY	<table border="1"> <tr><td></td><td></td><td>78</td><td></td><td></td><td></td><td></td><td></td><td></td><td>72</td><td>71</td><td>70</td><td>69</td><td>68</td><td></td><td>66</td><td>65</td><td>64</td><td>63</td><td>61</td><td></td></tr> <tr><td>60</td><td>59</td><td>58</td><td>57</td><td>56</td><td></td><td></td><td>53</td><td>52</td><td></td><td>50</td><td></td><td></td><td></td><td></td><td></td><td></td><td>44</td><td>43</td><td></td><td>41</td></tr> <tr><td>40</td><td></td><td></td><td>37</td><td></td><td>35</td><td>34</td><td></td><td>32</td><td></td><td>30</td><td>29</td><td></td><td></td><td>27</td><td>26</td><td></td><td></td><td></td><td>22</td><td>21</td></tr> <tr><td>20</td><td>19</td><td>18</td><td>17</td><td>16</td><td></td><td></td><td>13</td><td>12</td><td></td><td></td><td></td><td>8</td><td></td><td></td><td>6</td><td>5</td><td></td><td>3</td><td>2</td><td>1</td></tr> </table>			78							72	71	70	69	68		66	65	64	63	61		60	59	58	57	56			53	52		50							44	43		41	40			37		35	34		32		30	29			27	26				22	21	20	19	18	17	16			13	12				8			6	5		3	2	1		
		78							72	71	70	69	68		66	65	64	63	61																																																																									
60	59	58	57	56			53	52		50							44	43		41																																																																								
40			37		35	34		32		30	29			27	26				22	21																																																																								
20	19	18	17	16			13	12				8			6	5		3	2	1																																																																								
AVAILABLE	NOT APPLICABLE	34566-1173	0	A	BLACK	<table border="1"> <tr><td>72</td><td>71</td><td></td><td>69</td><td>68</td><td></td><td></td><td>65</td><td>64</td><td>63</td><td>62</td><td>61</td><td>60</td><td>59</td><td>58</td><td></td><td>56</td><td></td><td>54</td><td></td><td></td></tr> <tr><td>52</td><td></td><td>50</td><td>49</td><td>48</td><td>47</td><td></td><td>45</td><td></td><td></td><td>42</td><td>41</td><td></td><td></td><td></td><td>38</td><td>37</td><td>36</td><td></td><td>34</td><td>33</td></tr> <tr><td></td><td></td><td>73</td><td></td><td></td><td>32</td><td>31</td><td>30</td><td>29</td><td>28</td><td>27</td><td>26</td><td></td><td></td><td>24</td><td>23</td><td></td><td></td><td>20</td><td>19</td><td>18</td><td>17</td></tr> <tr><td></td><td></td><td></td><td></td><td></td><td>16</td><td></td><td></td><td>13</td><td>12</td><td>11</td><td>10</td><td>9</td><td></td><td></td><td></td><td></td><td></td><td></td><td></td><td></td><td></td></tr> </table>	72	71		69	68			65	64	63	62	61	60	59	58		56		54			52		50	49	48	47		45			42	41				38	37	36		34	33			73			32	31	30	29	28	27	26			24	23			20	19	18	17						16			13	12	11	10	9									
72	71		69	68			65	64	63	62	61	60	59	58		56		54																																																																										
52		50	49	48	47		45			42	41				38	37	36		34	33																																																																								
		73			32	31	30	29	28	27	26			24	23			20	19	18	17																																																																							
					16			13	12	11	10	9																																																																																
AVAILABLE	NOT APPLICABLE	34566-1183	0	B	ST GRY	<table border="1"> <tr><td></td><td></td><td></td><td></td><td></td><td></td><td>66</td><td>65</td><td>64</td><td></td><td>62</td><td></td><td></td><td>59</td><td>57</td><td></td><td>55</td><td></td><td>53</td><td></td><td></td></tr> <tr><td></td><td></td><td></td><td>49</td><td>48</td><td>47</td><td></td><td></td><td>44</td><td>42</td><td></td><td></td><td></td><td>39</td><td>37</td><td></td><td>35</td><td></td><td>33</td><td></td><td></td></tr> <tr><td></td><td></td><td>73</td><td></td><td></td><td></td><td></td><td>29</td><td>28</td><td></td><td></td><td></td><td></td><td>23</td><td>21</td><td></td><td></td><td></td><td></td><td></td><td>17</td></tr> <tr><td></td><td></td><td></td><td></td><td></td><td></td><td></td><td>12</td><td></td><td></td><td></td><td>9</td><td>7</td><td></td><td></td><td></td><td></td><td></td><td></td><td></td><td></td></tr> </table>							66	65	64		62			59	57		55		53						49	48	47			44	42				39	37		35		33					73					29	28					23	21						17								12				9	7										
						66	65	64		62			59	57		55		53																																																																										
			49	48	47			44	42				39	37		35		33																																																																										
		73					29	28					23	21						17																																																																								
							12				9	7																																																																																

PRE-RELEASE  
REFERENCE  
USE ONLY

THIS DRAWING CONTAINS INFORMATION THAT IS PROPRIETARY TO MOLEX ELECTRONIC TECHNOLOGIES, LLC AND SHOULD NOT BE USED WITHOUT WRITTEN PERMISSION										
EC NO: 120093 DRWN: APODDATURI CHKD: REV APPR: VKOSHY	2017/07/13	GENERAL TOLERANCES (UNLESS SPECIFIED)		DIMENSION UNITS	SCALE					
	2017/08/08	ANGULAR TOL ± °		MM	1:1					
		4 PLACES ±	SKRAJENDRANA	DATE	2011/02/14					
		3 PLACES ±	CHKD BY	DATE	2011/02/14					
		2 PLACES ±	MVANSLAMBROU	DATE	2011/02/14					
	1 PLACE ±	APPR BY	DATE							
	0 PLACES ±	DRAFT WHERE APPLICABLE MUST REMAIN WITHIN DIMENSIONS		DRAWING SIZE	THIRD ANGLE PROJECTION	PRODUCT CUSTOMER DRAWING				
		D		SERIES	MATERIAL NUMBER	CUSTOMER	MX123 66/73/80CKT HRNS CONN ASSY			
				34566	SEE BOM TABLE	GENERAL MARKET	DOCUMENT NUMBER: SD-34566-001 DOC TYPE: PSD DOC PART: 000 SHEET NUMBER: 20 OF 98			


STATUS	GM PART #	MATERIAL #	WIRE DRESS OPTION	KEY OPTION ▽ F	COLOR (TPA) ▽ F	NUMBERS INDICATE CAVITIES OPEN FOR CIRCUITS ▽ F																																																																																				
AVAILABLE	NOT APPLICABLE	34566-1193	0	A	BLACK	<table border="1"> <tr><td>72</td><td>71</td><td></td><td>69</td><td>68</td><td>67</td><td>66</td><td></td><td>64</td><td>63</td><td>62</td><td></td><td>60</td><td>59</td><td></td><td></td><td></td><td></td><td>54</td><td>53</td></tr> <tr><td>52</td><td></td><td></td><td>49</td><td>48</td><td></td><td>46</td><td></td><td>44</td><td>43</td><td>42</td><td></td><td></td><td>39</td><td></td><td></td><td></td><td></td><td>34</td><td>33</td></tr> <tr><td></td><td></td><td>73</td><td></td><td>32</td><td></td><td></td><td>29</td><td>27</td><td></td><td></td><td></td><td></td><td>23</td><td></td><td></td><td></td><td></td><td></td><td>17</td></tr> <tr><td></td><td></td><td></td><td></td><td></td><td>14</td><td>13</td><td>12</td><td>11</td><td></td><td>9</td><td>8</td><td>7</td><td>6</td><td>5</td><td>4</td><td>3</td><td>2</td><td>1</td><td></td></tr> </table>	72	71		69	68	67	66		64	63	62		60	59					54	53	52			49	48		46		44	43	42			39					34	33			73		32			29	27					23						17						14	13	12	11		9	8	7	6	5	4	3	2	1					
72	71		69	68	67	66		64	63	62		60	59					54	53																																																																							
52			49	48		46		44	43	42			39					34	33																																																																							
		73		32			29	27					23						17																																																																							
					14	13	12	11		9	8	7	6	5	4	3	2	1																																																																								
AVAILABLE	NOT APPLICABLE	34566-1213	0	A	BLACK	<table border="1"> <tr><td>72</td><td>71</td><td></td><td>69</td><td>68</td><td>67</td><td>66</td><td></td><td>64</td><td>63</td><td>62</td><td></td><td></td><td>59</td><td></td><td></td><td></td><td></td><td>54</td><td>53</td></tr> <tr><td>52</td><td></td><td></td><td></td><td>48</td><td></td><td>46</td><td></td><td>44</td><td>43</td><td>42</td><td></td><td></td><td>39</td><td></td><td></td><td></td><td></td><td></td><td>33</td></tr> <tr><td></td><td></td><td>73</td><td></td><td>32</td><td></td><td></td><td>29</td><td>27</td><td></td><td></td><td>24</td><td>23</td><td></td><td></td><td></td><td></td><td></td><td></td><td>17</td></tr> <tr><td></td><td></td><td></td><td></td><td></td><td>14</td><td>13</td><td>12</td><td>11</td><td></td><td>9</td><td>8</td><td></td><td></td><td>5</td><td>4</td><td>3</td><td>2</td><td>1</td><td></td></tr> </table>	72	71		69	68	67	66		64	63	62			59					54	53	52				48		46		44	43	42			39						33			73		32			29	27			24	23							17						14	13	12	11		9	8			5	4	3	2	1					
72	71		69	68	67	66		64	63	62			59					54	53																																																																							
52				48		46		44	43	42			39						33																																																																							
		73		32			29	27			24	23							17																																																																							
					14	13	12	11		9	8			5	4	3	2	1																																																																								
AVAILABLE	NOT APPLICABLE	34566-1223	0	B	ST GRY	<table border="1"> <tr><td></td><td></td><td></td><td></td><td></td><td>67</td><td>66</td><td>65</td><td></td><td>63</td><td>62</td><td></td><td></td><td>59</td><td>57</td><td></td><td></td><td>55</td><td>53</td></tr> <tr><td></td><td></td><td></td><td></td><td>48</td><td></td><td></td><td></td><td></td><td>43</td><td>42</td><td></td><td></td><td>39</td><td>37</td><td></td><td></td><td>35</td><td>33</td></tr> <tr><td></td><td></td><td>73</td><td></td><td></td><td></td><td></td><td>29</td><td>27</td><td>26</td><td></td><td></td><td></td><td>23</td><td>21</td><td></td><td></td><td></td><td></td><td>17</td></tr> <tr><td></td><td></td><td></td><td></td><td></td><td></td><td></td><td>12</td><td></td><td></td><td>9</td><td>7</td><td></td><td></td><td></td><td></td><td></td><td></td><td></td><td></td></tr> </table>						67	66	65		63	62			59	57			55	53					48					43	42			39	37			35	33			73					29	27	26				23	21					17								12			9	7														
					67	66	65		63	62			59	57			55	53																																																																								
				48					43	42			39	37			35	33																																																																								
		73					29	27	26				23	21					17																																																																							
							12			9	7																																																																															
AVAILABLE	NOT APPLICABLE	34566-1233	0	B	ST GRY	<table border="1"> <tr><td></td><td></td><td></td><td></td><td></td><td></td><td>65</td><td></td><td></td><td>62</td><td></td><td></td><td>59</td><td>57</td><td></td><td></td><td>55</td><td>53</td></tr> <tr><td></td><td></td><td></td><td></td><td>48</td><td></td><td>46</td><td></td><td></td><td>42</td><td></td><td></td><td>39</td><td>37</td><td></td><td></td><td>35</td><td>33</td></tr> <tr><td></td><td></td><td>73</td><td></td><td></td><td></td><td></td><td>29</td><td></td><td>26</td><td></td><td></td><td>23</td><td>21</td><td></td><td></td><td></td><td></td><td></td><td>17</td></tr> <tr><td></td><td></td><td></td><td></td><td></td><td></td><td></td><td>12</td><td></td><td></td><td>9</td><td>7</td><td></td><td></td><td></td><td></td><td></td><td></td><td></td><td></td></tr> </table>							65			62			59	57			55	53					48		46			42			39	37			35	33			73					29		26			23	21						17								12			9	7																
						65			62			59	57			55	53																																																																									
				48		46			42			39	37			35	33																																																																									
		73					29		26			23	21						17																																																																							
							12			9	7																																																																															
AVAILABLE	NOT APPLICABLE	34566-1243	0	B	ST GRY	<table border="1"> <tr><td></td><td></td><td></td><td>50</td><td></td><td>48</td><td>46</td><td></td><td></td><td></td><td></td><td></td><td>59</td><td>57</td><td></td><td></td><td>55</td><td>53</td></tr> <tr><td></td><td></td><td></td><td></td><td></td><td></td><td></td><td></td><td></td><td></td><td></td><td></td><td>39</td><td>37</td><td></td><td></td><td>35</td><td>33</td></tr> <tr><td></td><td></td><td>73</td><td></td><td></td><td></td><td></td><td>29</td><td></td><td></td><td></td><td></td><td>23</td><td>21</td><td></td><td></td><td></td><td></td><td></td><td>17</td></tr> <tr><td></td><td></td><td></td><td></td><td>15</td><td></td><td></td><td>12</td><td></td><td></td><td></td><td>7</td><td>6</td><td>5</td><td>4</td><td>3</td><td></td><td></td><td></td><td></td></tr> </table>				50		48	46						59	57			55	53													39	37			35	33			73					29					23	21						17					15			12				7	6	5	4	3												
			50		48	46						59	57			55	53																																																																									
												39	37			35	33																																																																									
		73					29					23	21						17																																																																							
				15			12				7	6	5	4	3																																																																											
AVAILABLE	NOT APPLICABLE	34566-1253	9	B	ST GRY	<table border="1"> <tr><td></td><td></td><td></td><td></td><td></td><td></td><td></td><td>65</td><td></td><td></td><td></td><td></td><td>60</td><td>59</td><td>57</td><td></td><td>55</td><td>53</td></tr> <tr><td></td><td></td><td></td><td>49</td><td>48</td><td>46</td><td></td><td></td><td></td><td></td><td></td><td></td><td>40</td><td>39</td><td>37</td><td></td><td>35</td><td>33</td></tr> <tr><td></td><td></td><td>73</td><td></td><td></td><td></td><td></td><td></td><td></td><td></td><td></td><td></td><td>24</td><td>23</td><td>21</td><td></td><td></td><td></td><td></td><td>2</td></tr> </table>								65					60	59	57		55	53				49	48	46							40	39	37		35	33			73										24	23	21					2																												
							65					60	59	57		55	53																																																																									
			49	48	46							40	39	37		35	33																																																																									
		73										24	23	21					2																																																																							
AVAILABLE	NOT APPLICABLE	34566-1263	9	A	BLACK	<p>NUMBERS IN BOLD MUST USE SAE WIRE MEETING SAE J1128, WIRE SIZE (NO.20) OR (NO.18 MAX. O.D. OF 2.06 MM) PER G.M. DRAWING NUMBER 12582682.</p> <table border="1"> <tr><td>72</td><td>71</td><td></td><td>69</td><td>68</td><td>67</td><td>66</td><td></td><td>64</td><td>63</td><td>62</td><td></td><td></td><td>59</td><td></td><td></td><td></td><td></td><td>56</td><td>53</td></tr> <tr><td></td><td></td><td>50</td><td></td><td>48</td><td></td><td>46</td><td></td><td>44</td><td>43</td><td>42</td><td></td><td></td><td>39</td><td></td><td></td><td></td><td></td><td>36</td><td>35</td><td>33</td></tr> <tr><td></td><td></td><td>73</td><td></td><td>32</td><td></td><td>30</td><td>29</td><td>27</td><td></td><td></td><td></td><td>24</td><td>23</td><td></td><td></td><td></td><td></td><td>20</td><td></td><td>17</td></tr> <tr><td></td><td></td><td></td><td></td><td></td><td>14</td><td>13</td><td>12</td><td>11</td><td></td><td>9</td><td>8</td><td></td><td></td><td>5</td><td>4</td><td>3</td><td>2</td><td>1</td><td></td><td></td></tr> </table>	72	71		69	68	67	66		64	63	62			59					56	53			50		48		46		44	43	42			39					36	35	33			73		32		30	29	27				24	23					20		17						14	13	12	11		9	8			5	4	3	2	1			
72	71		69	68	67	66		64	63	62			59					56	53																																																																							
		50		48		46		44	43	42			39					36	35	33																																																																						
		73		32		30	29	27				24	23					20		17																																																																						
					14	13	12	11		9	8			5	4	3	2	1																																																																								
AVAILABLE	NOT APPLICABLE	34566-1273	0	A	BLACK	<table border="1"> <tr><td></td><td></td><td>70</td><td>69</td><td>68</td><td></td><td></td><td>65</td><td>64</td><td>63</td><td></td><td>61</td><td></td><td>59</td><td>58</td><td>57</td><td>56</td><td></td><td></td><td></td><td></td></tr> <tr><td>52</td><td></td><td>50</td><td>49</td><td>48</td><td>47</td><td></td><td></td><td></td><td></td><td></td><td>41</td><td></td><td></td><td>38</td><td>37</td><td>36</td><td></td><td></td><td>34</td><td>33</td></tr> <tr><td></td><td></td><td>73</td><td></td><td>32</td><td>31</td><td>30</td><td>29</td><td>28</td><td>27</td><td></td><td></td><td>24</td><td>23</td><td></td><td></td><td>20</td><td>19</td><td>18</td><td></td><td></td></tr> <tr><td></td><td></td><td></td><td></td><td>16</td><td></td><td></td><td>13</td><td>12</td><td>11</td><td>10</td><td>9</td><td></td><td></td><td></td><td></td><td></td><td></td><td></td><td></td><td>1</td></tr> </table>			70	69	68			65	64	63		61		59	58	57	56					52		50	49	48	47						41			38	37	36			34	33			73		32	31	30	29	28	27			24	23			20	19	18							16			13	12	11	10	9									1
		70	69	68			65	64	63		61		59	58	57	56																																																																										
52		50	49	48	47						41			38	37	36			34	33																																																																						
		73		32	31	30	29	28	27			24	23			20	19	18																																																																								
				16			13	12	11	10	9									1																																																																						

PRE-RELEASE  
REFERENCE  
USE ONLY

THIS DRAWING CONTAINS INFORMATION THAT IS PROPRIETARY TO MOLEX ELECTRONIC TECHNOLOGIES, LLC AND SHOULD NOT BE USED WITHOUT WRITTEN PERMISSION										
EC NO: 120083 DRWN: APODDATURI CHKD: REV APPR: VKOSHY	2017/07/13	GENERAL TOLERANCES (UNLESS SPECIFIED)		DIMENSION UNITS	SCALE	 <p>MX123 66/73/80CKT HRNS CONN ASSY</p> <p>PRODUCT CUSTOMER DRAWING</p>				
	2017/08/08	ANGULAR TOL ± °		MM	1:1					
		4 PLACES ±	DRWN BY	DATE	SKRAJENDRANA					2011/02/14
		3 PLACES ±	CHKD BY	DATE	MVANSLAMBROU					2011/02/14
		2 PLACES ±	APPR BY	DATE						
	1 PLACE ±	DRAWING SIZE				THIRD ANGLE PROJECTION	SERIES			
	0 PLACES ±	DRAFT WHERE APPLICABLE MUST REMAIN WITHIN DIMENSIONS				D	MATERIAL NUMBER			
							CUSTOMER			
							GENERAL MARKET			
							DOCUMENT NUMBER			
							SD-34566-001			
							DOC TYPE			
							PSD			
							DOC PART			
							000			
							SHEET NUMBER			
							21 OF 98			

STATUS	GM PART #	MATERIAL #	WIRE DRESS OPTION	KEY OPTION	COLOR (TPA)	NUMBERS INDICATE CAVITIES OPEN FOR CIRCUITS																																																																																
AVAILABLE	NOT APPLICABLE	34566-1283	0	A	BLACK	<table border="1"> <tr><td>72</td><td>71</td><td>70</td><td>69</td><td>68</td><td>66</td><td>65</td><td>64</td><td>63</td><td>61</td><td>59</td><td>58</td><td>57</td><td>56</td><td>54</td><td></td></tr> <tr><td>52</td><td></td><td>50</td><td>49</td><td>48</td><td>47</td><td></td><td></td><td></td><td>42</td><td>41</td><td></td><td>38</td><td>37</td><td>36</td><td>34</td><td>33</td></tr> <tr><td colspan="4">73</td><td>32</td><td>31</td><td>30</td><td>29</td><td>28</td><td>27</td><td>26</td><td>24</td><td>23</td><td></td><td>20</td><td>19</td><td>18</td><td></td></tr> <tr><td colspan="4"></td><td>16</td><td></td><td></td><td>13</td><td>12</td><td>11</td><td>10</td><td>9</td><td></td><td></td><td></td><td></td><td></td><td></td></tr> </table>	72	71	70	69	68	66	65	64	63	61	59	58	57	56	54		52		50	49	48	47				42	41		38	37	36	34	33	73				32	31	30	29	28	27	26	24	23		20	19	18						16			13	12	11	10	9																	
72	71	70	69	68	66	65	64	63	61	59	58	57	56	54																																																																								
52		50	49	48	47				42	41		38	37	36	34	33																																																																						
73				32	31	30	29	28	27	26	24	23		20	19	18																																																																						
				16			13	12	11	10	9																																																																											
AVAILABLE	NOT APPLICABLE	34566-1293	0	A	BLACK	<table border="1"> <tr><td></td><td></td><td></td><td></td><td>68</td><td></td><td></td><td>65</td><td>63</td><td>61</td><td></td><td>59</td><td>58</td><td>56</td><td></td><td></td><td></td></tr> <tr><td>52</td><td></td><td>50</td><td></td><td>47</td><td></td><td></td><td></td><td></td><td>41</td><td></td><td></td><td>38</td><td>37</td><td>36</td><td></td><td>34</td><td>33</td></tr> <tr><td colspan="4">73</td><td>32</td><td>31</td><td>30</td><td>29</td><td>28</td><td>27</td><td></td><td>24</td><td>23</td><td></td><td>20</td><td>19</td><td>18</td><td>17</td></tr> <tr><td colspan="4"></td><td>16</td><td></td><td></td><td>13</td><td>12</td><td>11</td><td>10</td><td>9</td><td></td><td></td><td></td><td></td><td></td><td>1</td></tr> </table>					68			65	63	61		59	58	56				52		50		47					41			38	37	36		34	33	73				32	31	30	29	28	27		24	23		20	19	18	17					16			13	12	11	10	9						1									
				68			65	63	61		59	58	56																																																																									
52		50		47					41			38	37	36		34	33																																																																					
73				32	31	30	29	28	27		24	23		20	19	18	17																																																																					
				16			13	12	11	10	9						1																																																																					
AVAILABLE	NOT APPLICABLE	34566-1313	0	H	ST GRY	<table border="1"> <tr><td>80</td><td></td><td>78</td><td></td><td></td><td></td><td></td><td></td><td>72</td><td>71</td><td>70</td><td>69</td><td>68</td><td></td><td>66</td><td>65</td><td>64</td><td>63</td><td></td><td>61</td></tr> <tr><td></td><td></td><td>58</td><td>57</td><td>56</td><td>55</td><td>54</td><td>53</td><td></td><td></td><td></td><td></td><td></td><td></td><td>46</td><td></td><td>44</td><td>43</td><td>42</td><td></td></tr> <tr><td>40</td><td></td><td></td><td>37</td><td></td><td>35</td><td></td><td></td><td>32</td><td></td><td>30</td><td>29</td><td></td><td>27</td><td>26</td><td></td><td></td><td></td><td></td><td>21</td></tr> <tr><td>20</td><td>19</td><td>18</td><td>17</td><td></td><td>15</td><td></td><td></td><td>12</td><td></td><td></td><td></td><td>8</td><td></td><td>6</td><td>5</td><td></td><td>3</td><td>2</td><td></td></tr> </table>	80		78						72	71	70	69	68		66	65	64	63		61			58	57	56	55	54	53							46		44	43	42		40			37		35			32		30	29		27	26					21	20	19	18	17		15			12				8		6	5		3	2	
80		78						72	71	70	69	68		66	65	64	63		61																																																																			
		58	57	56	55	54	53							46		44	43	42																																																																				
40			37		35			32		30	29		27	26					21																																																																			
20	19	18	17		15			12				8		6	5		3	2																																																																				
AVAILABLE	NOT APPLICABLE	34566-1323	0	A	BLACK	<table border="1"> <tr><td>72</td><td>71</td><td>70</td><td>69</td><td>68</td><td>67</td><td>66</td><td>65</td><td>64</td><td>63</td><td>62</td><td></td><td>60</td><td>59</td><td>58</td><td>57</td><td>56</td><td>55</td><td>54</td><td>53</td></tr> <tr><td>52</td><td>51</td><td>50</td><td>49</td><td>48</td><td>47</td><td>46</td><td>45</td><td>44</td><td>43</td><td>42</td><td>41</td><td>40</td><td>39</td><td>38</td><td>37</td><td>36</td><td>35</td><td>34</td><td>33</td></tr> <tr><td colspan="4">73</td><td>32</td><td>31</td><td>30</td><td>29</td><td>28</td><td>27</td><td></td><td>25</td><td>24</td><td>23</td><td>22</td><td>21</td><td>20</td><td>19</td><td>18</td><td>17</td></tr> <tr><td colspan="4"></td><td>16</td><td>15</td><td>14</td><td>13</td><td>12</td><td>11</td><td></td><td>9</td><td>8</td><td>7</td><td>6</td><td>5</td><td>4</td><td>3</td><td>2</td><td>1</td></tr> </table>	72	71	70	69	68	67	66	65	64	63	62		60	59	58	57	56	55	54	53	52	51	50	49	48	47	46	45	44	43	42	41	40	39	38	37	36	35	34	33	73				32	31	30	29	28	27		25	24	23	22	21	20	19	18	17					16	15	14	13	12	11		9	8	7	6	5	4	3	2	1
72	71	70	69	68	67	66	65	64	63	62		60	59	58	57	56	55	54	53																																																																			
52	51	50	49	48	47	46	45	44	43	42	41	40	39	38	37	36	35	34	33																																																																			
73				32	31	30	29	28	27		25	24	23	22	21	20	19	18	17																																																																			
				16	15	14	13	12	11		9	8	7	6	5	4	3	2	1																																																																			
AVAILABLE	NOT APPLICABLE	34566-1333	0	A	BLACK	<table border="1"> <tr><td></td><td></td><td>70</td><td>69</td><td>68</td><td></td><td></td><td>65</td><td>64</td><td></td><td></td><td></td><td>59</td><td>58</td><td></td><td>56</td><td></td><td></td><td></td><td></td></tr> <tr><td>52</td><td></td><td>50</td><td>49</td><td></td><td>47</td><td></td><td></td><td></td><td></td><td></td><td>41</td><td></td><td></td><td>38</td><td>37</td><td>36</td><td></td><td>34</td><td></td></tr> <tr><td colspan="4">73</td><td>32</td><td>31</td><td>30</td><td>29</td><td>28</td><td>27</td><td></td><td></td><td>23</td><td></td><td></td><td>20</td><td>19</td><td>18</td><td>17</td><td></td></tr> <tr><td colspan="4"></td><td>16</td><td></td><td></td><td>13</td><td>12</td><td>11</td><td>10</td><td>9</td><td>8</td><td></td><td>6</td><td></td><td></td><td></td><td></td><td>1</td></tr> </table>			70	69	68			65	64				59	58		56					52		50	49		47						41			38	37	36		34		73				32	31	30	29	28	27			23			20	19	18	17						16			13	12	11	10	9	8		6					1
		70	69	68			65	64				59	58		56																																																																							
52		50	49		47						41			38	37	36		34																																																																				
73				32	31	30	29	28	27			23			20	19	18	17																																																																				
				16			13	12	11	10	9	8		6					1																																																																			
AVAILABLE	NOT APPLICABLE	34566-1343	0	A	BLACK	<table border="1"> <tr><td>72</td><td>71</td><td></td><td>69</td><td></td><td>67</td><td></td><td>65</td><td>64</td><td>63</td><td></td><td></td><td>59</td><td>58</td><td>57</td><td>56</td><td></td><td></td><td></td><td></td></tr> <tr><td></td><td></td><td>50</td><td>49</td><td>48</td><td>47</td><td></td><td></td><td></td><td></td><td></td><td>41</td><td></td><td></td><td>38</td><td>37</td><td>36</td><td></td><td>34</td><td></td></tr> <tr><td colspan="4">73</td><td>32</td><td>31</td><td>30</td><td>29</td><td>28</td><td>27</td><td></td><td></td><td>23</td><td></td><td></td><td>20</td><td>19</td><td>18</td><td>17</td><td></td></tr> <tr><td colspan="4"></td><td>16</td><td></td><td></td><td>13</td><td>12</td><td>11</td><td>10</td><td>9</td><td>7</td><td>6</td><td></td><td>4</td><td>3</td><td></td><td></td><td>1</td></tr> </table>	72	71		69		67		65	64	63			59	58	57	56							50	49	48	47						41			38	37	36		34		73				32	31	30	29	28	27			23			20	19	18	17						16			13	12	11	10	9	7	6		4	3			1
72	71		69		67		65	64	63			59	58	57	56																																																																							
		50	49	48	47						41			38	37	36		34																																																																				
73				32	31	30	29	28	27			23			20	19	18	17																																																																				
				16			13	12	11	10	9	7	6		4	3			1																																																																			
AVAILABLE	NOT APPLICABLE	34566-1353	0	H	ST GRY	<table border="1"> <tr><td></td><td>79</td><td>78</td><td>77</td><td>76</td><td>75</td><td>74</td><td>73</td><td>72</td><td>71</td><td>70</td><td>69</td><td>68</td><td></td><td>66</td><td>65</td><td>64</td><td>63</td><td></td><td>61</td></tr> <tr><td>60</td><td>59</td><td>58</td><td>57</td><td>56</td><td></td><td></td><td>53</td><td></td><td></td><td>50</td><td></td><td></td><td></td><td></td><td></td><td>44</td><td>43</td><td></td><td>41</td></tr> <tr><td>40</td><td>39</td><td>38</td><td>37</td><td></td><td>35</td><td>34</td><td></td><td>32</td><td></td><td>30</td><td>29</td><td></td><td>27</td><td>26</td><td></td><td></td><td></td><td>22</td><td>21</td></tr> <tr><td>20</td><td>19</td><td>18</td><td>17</td><td></td><td></td><td></td><td>13</td><td>12</td><td>11</td><td></td><td></td><td>8</td><td></td><td>6</td><td>5</td><td></td><td>3</td><td>2</td><td></td></tr> </table>		79	78	77	76	75	74	73	72	71	70	69	68		66	65	64	63		61	60	59	58	57	56			53			50						44	43		41	40	39	38	37		35	34		32		30	29		27	26				22	21	20	19	18	17				13	12	11			8		6	5		3	2	
	79	78	77	76	75	74	73	72	71	70	69	68		66	65	64	63		61																																																																			
60	59	58	57	56			53			50						44	43		41																																																																			
40	39	38	37		35	34		32		30	29		27	26				22	21																																																																			
20	19	18	17				13	12	11			8		6	5		3	2																																																																				
AVAILABLE	NOT APPLICABLE	34566-1363	0	A	BLACK	<table border="1"> <tr><td>72</td><td>71</td><td></td><td>69</td><td>68</td><td>67</td><td>66</td><td></td><td>64</td><td>63</td><td>62</td><td></td><td></td><td>59</td><td></td><td></td><td></td><td></td><td></td><td>53</td></tr> <tr><td></td><td></td><td></td><td></td><td>48</td><td>46</td><td></td><td></td><td>44</td><td>43</td><td>42</td><td></td><td></td><td>39</td><td></td><td></td><td></td><td></td><td></td><td>33</td></tr> <tr><td colspan="4">73</td><td>32</td><td></td><td></td><td>29</td><td>27</td><td></td><td></td><td>24</td><td>23</td><td></td><td></td><td></td><td></td><td></td><td></td><td>17</td></tr> <tr><td colspan="4"></td><td></td><td></td><td>14</td><td>13</td><td>12</td><td>11</td><td></td><td>9</td><td>8</td><td></td><td></td><td>5</td><td>4</td><td>3</td><td>2</td><td>1</td></tr> </table>	72	71		69	68	67	66		64	63	62			59						53					48	46			44	43	42			39						33	73				32			29	27			24	23							17							14	13	12	11		9	8			5	4	3	2	1
72	71		69	68	67	66		64	63	62			59						53																																																																			
				48	46			44	43	42			39						33																																																																			
73				32			29	27			24	23							17																																																																			
						14	13	12	11		9	8			5	4	3	2	1																																																																			

PRE-RELEASE  
REFERENCE  
USE ONLY

THIS DRAWING CONTAINS INFORMATION THAT IS PROPRIETARY TO MOLEX ELECTRONIC TECHNOLOGIES, LLC AND SHOULD NOT BE USED WITHOUT WRITTEN PERMISSION									
EC NO: 120093 DRWN: APODDATURI CHKD: REV APPR: VKOSHY	2017/07/13	GENERAL TOLERANCES (UNLESS SPECIFIED)		DIMENSION UNITS	SCALE	 MX123 66/73/80CKT HRNS CONN ASSY PRODUCT CUSTOMER DRAWING			
	2017/08/08	ANGULAR TOL ± °		MM	1:1				
		4 PLACES ±	SKRAJENDRANA	DATE	2011/02/14				
		3 PLACES ±	CHKD BY	DATE					
		2 PLACES ±	MVANSLAMBROU	DATE	2011/02/14				
	1 PLACE ±	APPR BY	DATE						
	0 PLACES ±	DRAFT WHERE APPLICABLE MUST REMAIN WITHIN DIMENSIONS		DRAWING SIZE	THIRD ANGLE PROJECTION	SERIES: 34566    MATERIAL NUMBER: SEE BOM TABLE    CUSTOMER: GENERAL MARKET			
G55		D				DOCUMENT NUMBER: SD-34566-001    DOC TYPE: PSD    DOC PART: 000    SHEET NUMBER: 22 OF 98			



STATUS	GM PART #	MATERIAL #	WIRE DRESS OPTION	KEY OPTION	COLOR (TPA)	NUMBERS INDICATE CAVITIES OPEN FOR CIRCUITS																																																																																										
AVAILABLE	NOT APPLICABLE	34566-1373	0	B	ST GRY	<table border="1"> <tr><td></td><td></td><td></td><td></td><td></td><td></td><td></td><td>66</td><td>65</td><td></td><td></td><td></td><td>62</td><td></td><td></td><td>59</td><td>57</td><td>55</td><td>53</td></tr> <tr><td></td><td></td><td></td><td>48</td><td>46</td><td></td><td></td><td></td><td></td><td></td><td></td><td></td><td>42</td><td></td><td></td><td>39</td><td>37</td><td>35</td><td>33</td></tr> <tr><td>73</td><td></td><td></td><td></td><td></td><td></td><td></td><td>29</td><td></td><td></td><td></td><td></td><td>26</td><td></td><td></td><td>23</td><td>21</td><td></td><td>17</td></tr> <tr><td></td><td></td><td></td><td></td><td></td><td></td><td></td><td></td><td>12</td><td></td><td></td><td></td><td></td><td>9</td><td></td><td>7</td><td></td><td></td><td></td></tr> </table>								66	65				62			59	57	55	53				48	46								42			39	37	35	33	73							29					26			23	21		17									12					9		7																	
							66	65				62			59	57	55	53																																																																														
			48	46								42			39	37	35	33																																																																														
73							29					26			23	21		17																																																																														
								12					9		7																																																																																	
AVAILABLE	NOT APPLICABLE	34566-1383	0	B	ST GRY	<table border="1"> <tr><td></td><td></td><td></td><td></td><td></td><td></td><td></td><td></td><td></td><td></td><td></td><td></td><td></td><td></td><td></td><td>59</td><td>58</td><td>57</td><td>55</td><td>53</td></tr> <tr><td></td><td></td><td></td><td>49</td><td>48</td><td>47</td><td>46</td><td></td><td></td><td></td><td></td><td></td><td></td><td></td><td></td><td>39</td><td>38</td><td>37</td><td>35</td><td>33</td></tr> <tr><td>73</td><td></td><td></td><td></td><td></td><td></td><td></td><td></td><td></td><td></td><td></td><td></td><td></td><td></td><td></td><td>23</td><td>22</td><td>21</td><td></td><td>17</td></tr> <tr><td></td><td></td><td></td><td></td><td></td><td></td><td></td><td></td><td>12</td><td></td><td></td><td></td><td></td><td></td><td></td><td>7</td><td></td><td></td><td></td><td></td></tr> </table>																59	58	57	55	53				49	48	47	46									39	38	37	35	33	73															23	22	21		17									12							7														
															59	58	57	55	53																																																																													
			49	48	47	46									39	38	37	35	33																																																																													
73															23	22	21		17																																																																													
								12							7																																																																																	
AVAILABLE	NOT APPLICABLE	34566-1393	0	A	BLACK	<table border="1"> <tr><td></td><td></td><td>70</td><td></td><td></td><td>67</td><td>66</td><td></td><td></td><td></td><td></td><td></td><td></td><td></td><td>61</td><td></td><td></td><td>58</td><td>57</td><td>55</td><td>54</td></tr> <tr><td></td><td></td><td></td><td></td><td></td><td>47</td><td></td><td>45</td><td>44</td><td>43</td><td>42</td><td>41</td><td></td><td></td><td>39</td><td></td><td></td><td>37</td><td></td><td></td><td>34</td></tr> <tr><td>73</td><td></td><td></td><td>32</td><td></td><td>30</td><td></td><td></td><td></td><td></td><td>27</td><td>25</td><td>24</td><td></td><td></td><td></td><td></td><td>21</td><td>20</td><td>19</td><td>18</td></tr> <tr><td></td><td></td><td></td><td></td><td></td><td></td><td>13</td><td></td><td></td><td>11</td><td></td><td></td><td></td><td></td><td></td><td></td><td></td><td>6</td><td>5</td><td>3</td><td>1</td></tr> </table>			70			67	66								61			58	57	55	54						47		45	44	43	42	41			39			37			34	73			32		30					27	25	24					21	20	19	18							13			11								6	5	3	1						
		70			67	66								61			58	57	55	54																																																																												
					47		45	44	43	42	41			39			37			34																																																																												
73			32		30					27	25	24					21	20	19	18																																																																												
						13			11								6	5	3	1																																																																												
AVAILABLE	NOT APPLICABLE	34566-1423	0	B	ST GRY	<table border="1"> <tr><td></td><td></td><td></td><td></td><td></td><td>68</td><td>67</td><td>66</td><td>65</td><td></td><td></td><td></td><td></td><td>61</td><td>60</td><td>59</td><td>58</td><td>57</td><td></td><td></td><td>54</td><td>53</td></tr> <tr><td></td><td></td><td>51</td><td>50</td><td>49</td><td>48</td><td>47</td><td>46</td><td>45</td><td></td><td>43</td><td>42</td><td>41</td><td>40</td><td>39</td><td>38</td><td>37</td><td></td><td></td><td>35</td><td>34</td><td>33</td></tr> <tr><td>73</td><td></td><td></td><td></td><td></td><td>32</td><td>31</td><td>30</td><td></td><td></td><td></td><td></td><td></td><td>26</td><td>24</td><td>23</td><td>22</td><td>21</td><td>20</td><td></td><td></td><td></td></tr> <tr><td></td><td></td><td></td><td></td><td></td><td>16</td><td>15</td><td>14</td><td>13</td><td></td><td></td><td></td><td></td><td>10</td><td>9</td><td>8</td><td>7</td><td>6</td><td>5</td><td>4</td><td></td><td></td></tr> </table>						68	67	66	65					61	60	59	58	57			54	53			51	50	49	48	47	46	45		43	42	41	40	39	38	37			35	34	33	73					32	31	30						26	24	23	22	21	20									16	15	14	13					10	9	8	7	6	5	4				
					68	67	66	65					61	60	59	58	57			54	53																																																																											
		51	50	49	48	47	46	45		43	42	41	40	39	38	37			35	34	33																																																																											
73					32	31	30						26	24	23	22	21	20																																																																														
					16	15	14	13					10	9	8	7	6	5	4																																																																													
AVAILABLE	NOT APPLICABLE	34566-1433	0	B	ST GRY	<table border="1"> <tr><td></td><td></td><td></td><td></td><td></td><td></td><td></td><td>66</td><td></td><td></td><td></td><td></td><td></td><td></td><td></td><td>59</td><td>57</td><td>55</td><td>53</td></tr> <tr><td></td><td></td><td></td><td>49</td><td>48</td><td></td><td>46</td><td></td><td></td><td></td><td></td><td></td><td></td><td></td><td></td><td>39</td><td>37</td><td>35</td><td>33</td></tr> <tr><td>73</td><td></td><td></td><td></td><td></td><td></td><td></td><td></td><td></td><td></td><td></td><td></td><td></td><td></td><td></td><td>23</td><td>21</td><td></td><td></td><td>18</td><td>17</td></tr> <tr><td></td><td></td><td></td><td></td><td></td><td></td><td></td><td></td><td></td><td></td><td></td><td></td><td></td><td></td><td></td><td></td><td></td><td></td><td></td><td></td><td></td><td></td></tr> </table>								66								59	57	55	53				49	48		46									39	37	35	33	73															23	21			18	17																															
							66								59	57	55	53																																																																														
			49	48		46									39	37	35	33																																																																														
73															23	21			18	17																																																																												
AVAILABLE	NOT APPLICABLE	34566-1443	0	B	ST GRY	<table border="1"> <tr><td></td><td></td><td></td><td></td><td></td><td>69</td><td>68</td><td></td><td></td><td></td><td></td><td></td><td></td><td></td><td></td><td>59</td><td>57</td><td>55</td><td>53</td></tr> <tr><td></td><td></td><td></td><td>49</td><td>48</td><td></td><td>46</td><td></td><td></td><td></td><td></td><td></td><td></td><td></td><td></td><td>39</td><td>37</td><td>35</td><td>33</td></tr> <tr><td>73</td><td></td><td></td><td></td><td></td><td></td><td></td><td></td><td></td><td></td><td></td><td></td><td></td><td></td><td></td><td>23</td><td>21</td><td></td><td></td><td></td><td>17</td></tr> <tr><td></td><td></td><td></td><td></td><td></td><td></td><td></td><td></td><td></td><td></td><td></td><td></td><td></td><td></td><td></td><td></td><td></td><td></td><td></td><td></td><td></td><td></td></tr> </table>						69	68									59	57	55	53				49	48		46									39	37	35	33	73															23	21				17																															
					69	68									59	57	55	53																																																																														
			49	48		46									39	37	35	33																																																																														
73															23	21				17																																																																												
AVAILABLE	NOT APPLICABLE	34566-1453	0	B	ST GRY	<table border="1"> <tr><td></td><td></td><td></td><td></td><td></td><td></td><td></td><td>66</td><td>65</td><td>64</td><td></td><td></td><td></td><td></td><td></td><td>59</td><td>57</td><td>55</td><td>53</td></tr> <tr><td></td><td></td><td></td><td>49</td><td>48</td><td>47</td><td></td><td></td><td></td><td>44</td><td>42</td><td></td><td></td><td></td><td></td><td>39</td><td>37</td><td>35</td><td>33</td></tr> <tr><td>73</td><td></td><td></td><td></td><td></td><td></td><td></td><td></td><td></td><td>29</td><td>28</td><td>26</td><td></td><td></td><td></td><td>23</td><td>21</td><td></td><td></td><td></td><td>17</td></tr> <tr><td></td><td></td><td></td><td></td><td></td><td></td><td></td><td></td><td></td><td></td><td></td><td></td><td></td><td></td><td></td><td></td><td></td><td></td><td></td><td></td><td></td><td></td></tr> </table>								66	65	64						59	57	55	53				49	48	47				44	42					39	37	35	33	73									29	28	26				23	21				17																															
							66	65	64						59	57	55	53																																																																														
			49	48	47				44	42					39	37	35	33																																																																														
73									29	28	26				23	21				17																																																																												
AVAILABLE	NOT APPLICABLE	34566-1463	0	A	BLACK	<table border="1"> <tr><td></td><td></td><td></td><td>69</td><td>68</td><td></td><td></td><td></td><td>65</td><td>64</td><td>63</td><td>62</td><td>61</td><td>60</td><td>59</td><td>58</td><td></td><td>56</td><td></td><td></td><td></td><td></td></tr> <tr><td>52</td><td></td><td>50</td><td>49</td><td>48</td><td>47</td><td></td><td></td><td>45</td><td></td><td></td><td></td><td>41</td><td></td><td></td><td></td><td>38</td><td>37</td><td>36</td><td></td><td>34</td><td>33</td></tr> <tr><td>73</td><td></td><td></td><td></td><td></td><td></td><td></td><td></td><td>32</td><td>31</td><td>30</td><td>29</td><td>28</td><td>27</td><td></td><td></td><td>24</td><td>23</td><td></td><td>20</td><td>19</td><td>18</td><td>17</td></tr> <tr><td></td><td></td><td></td><td></td><td></td><td></td><td></td><td></td><td>16</td><td></td><td></td><td>13</td><td>12</td><td>11</td><td>10</td><td>9</td><td></td><td></td><td></td><td></td><td></td><td></td><td>1</td></tr> </table>				69	68				65	64	63	62	61	60	59	58		56					52		50	49	48	47			45				41				38	37	36		34	33	73								32	31	30	29	28	27			24	23		20	19	18	17									16			13	12	11	10	9							1
			69	68				65	64	63	62	61	60	59	58		56																																																																															
52		50	49	48	47			45				41				38	37	36		34	33																																																																											
73								32	31	30	29	28	27			24	23		20	19	18	17																																																																										
								16			13	12	11	10	9							1																																																																										


PRE-RELEASE REFERENCE USE ONLY

THIS DRAWING CONTAINS INFORMATION THAT IS PROPRIETARY TO MOLEX ELECTRONIC TECHNOLOGIES, LLC AND SHOULD NOT BE USED WITHOUT WRITTEN PERMISSION

EC NO: 120093 DRWN: APODDATURI CHKD: REV APPR: VKOSHY	2017/07/13	2017/08/08	GENERAL TOLERANCES (UNLESS SPECIFIED)	DIMENSION UNITS MM	SCALE 1:1	
			ANGULAR TOL ±	DRWN BY SKRAJENDRANA	DATE 2011/02/14	
			4 PLACES ±	CHKD BY MVANSLAMBROU	DATE 2011/02/14	
			3 PLACES ±	APPR BY	DATE	
		2 PLACES ±				
		1 PLACE ±				
		0 PLACES ±				
			DRAFT WHERE APPLICABLE MUST REMAIN WITHIN DIMENSIONS	DRAWING SIZE D	THIRD ANGLE PROJECTION	
G55						SERIES: 34566 MATERIAL NUMBER: SEE BOM TABLE CUSTOMER: GENERAL MARKET
						DOCUMENT NUMBER: SD-34566-001 DOC TYPE: PSD DOC PART: 000 SHEET NUMBER: 23 OF 98

STATUS	GM PART #	MATERIAL #	WIRE DRESS OPTION	KEY OPTION	COLOR (TPA)	NUMBERS INDICATE CAVITIES OPEN FOR CIRCUITS																																																																								
AVAILABLE	NOT APPLICABLE	34566-1473	0	A	BLACK	<table border="1"> <tr><td>72</td><td>71</td><td></td><td>69</td><td>68</td><td>67</td><td>66</td><td></td><td>64</td><td>63</td><td>62</td><td></td><td>59</td><td></td><td></td><td></td><td>54</td><td>53</td></tr> <tr><td>52</td><td></td><td></td><td>49</td><td>48</td><td></td><td>46</td><td></td><td>44</td><td>43</td><td>42</td><td></td><td>39</td><td></td><td></td><td></td><td>34</td><td>33</td></tr> <tr><td colspan="3">73</td><td>32</td><td></td><td></td><td>29</td><td></td><td>27</td><td></td><td></td><td>24</td><td>23</td><td></td><td></td><td></td><td></td><td>17</td></tr> <tr><td></td><td></td><td></td><td></td><td>14</td><td>13</td><td>12</td><td>11</td><td></td><td>9</td><td>8</td><td>7</td><td>6</td><td>5</td><td>4</td><td>3</td><td>2</td><td>1</td></tr> </table>	72	71		69	68	67	66		64	63	62		59				54	53	52			49	48		46		44	43	42		39				34	33	73			32			29		27			24	23					17					14	13	12	11		9	8	7	6	5	4	3	2	1
72	71		69	68	67	66		64	63	62		59				54	53																																																													
52			49	48		46		44	43	42		39				34	33																																																													
73			32			29		27			24	23					17																																																													
				14	13	12	11		9	8	7	6	5	4	3	2	1																																																													
AVAILABLE	NOT APPLICABLE	34566-1483	0	A	BLACK	<table border="1"> <tr><td>72</td><td>71</td><td></td><td>69</td><td>68</td><td></td><td></td><td>65</td><td>64</td><td>63</td><td></td><td>61</td><td>59</td><td>58</td><td>56</td><td></td><td></td><td></td></tr> <tr><td>52</td><td></td><td>50</td><td>49</td><td></td><td>47</td><td></td><td></td><td></td><td></td><td></td><td>41</td><td></td><td>38</td><td>37</td><td>36</td><td>34</td><td>33</td></tr> <tr><td colspan="3">73</td><td>32</td><td>31</td><td>30</td><td>29</td><td>28</td><td>27</td><td></td><td></td><td>24</td><td>23</td><td></td><td>20</td><td>19</td><td>18</td><td>17</td></tr> <tr><td></td><td></td><td></td><td>16</td><td></td><td></td><td>13</td><td>12</td><td>11</td><td>10</td><td>9</td><td></td><td></td><td></td><td></td><td></td><td></td><td>1</td></tr> </table>	72	71		69	68			65	64	63		61	59	58	56				52		50	49		47						41		38	37	36	34	33	73			32	31	30	29	28	27			24	23		20	19	18	17				16			13	12	11	10	9							1
72	71		69	68			65	64	63		61	59	58	56																																																																
52		50	49		47						41		38	37	36	34	33																																																													
73			32	31	30	29	28	27			24	23		20	19	18	17																																																													
			16			13	12	11	10	9							1																																																													
AVAILABLE	NOT APPLICABLE	34566-1493	0	B	ST GRY	<table border="1"> <tr><td></td><td></td><td></td><td>68</td><td></td><td></td><td></td><td></td><td></td><td></td><td></td><td></td><td>59</td><td>58</td><td>57</td><td>55</td><td>53</td></tr> <tr><td></td><td></td><td></td><td>49</td><td>48</td><td></td><td>46</td><td></td><td></td><td></td><td></td><td></td><td>39</td><td>38</td><td>37</td><td>35</td><td>33</td></tr> <tr><td colspan="3">73</td><td></td><td></td><td></td><td>29</td><td></td><td></td><td></td><td></td><td>23</td><td>22</td><td>21</td><td></td><td>18</td><td>17</td></tr> <tr><td></td><td></td><td></td><td></td><td></td><td></td><td>12</td><td>11</td><td>10</td><td></td><td></td><td>7</td><td></td><td></td><td></td><td></td><td>1</td></tr> </table>				68									59	58	57	55	53				49	48		46						39	38	37	35	33	73						29					23	22	21		18	17							12	11	10			7					1				
			68									59	58	57	55	53																																																														
			49	48		46						39	38	37	35	33																																																														
73						29					23	22	21		18	17																																																														
						12	11	10			7					1																																																														
AVAILABLE	NOT APPLICABLE	34566-1513	0	B	ST GRY	<table border="1"> <tr><td></td><td></td><td></td><td></td><td></td><td></td><td>65</td><td></td><td></td><td></td><td></td><td></td><td>59</td><td>57</td><td>55</td><td>53</td></tr> <tr><td></td><td></td><td></td><td>49</td><td>48</td><td></td><td>46</td><td></td><td></td><td></td><td></td><td></td><td>39</td><td>37</td><td>35</td><td>33</td></tr> <tr><td colspan="3">73</td><td></td><td></td><td></td><td>29</td><td></td><td></td><td></td><td></td><td>23</td><td>21</td><td></td><td></td><td>17</td></tr> <tr><td></td><td></td><td></td><td></td><td></td><td></td><td>12</td><td></td><td></td><td></td><td></td><td>7</td><td></td><td></td><td></td><td></td><td></td></tr> </table>							65						59	57	55	53				49	48		46						39	37	35	33	73						29					23	21			17							12					7												
						65						59	57	55	53																																																															
			49	48		46						39	37	35	33																																																															
73						29					23	21			17																																																															
						12					7																																																																			
AVAILABLE	NOT APPLICABLE	34566-1523	0	A	BLACK	<table border="1"> <tr><td></td><td></td><td>70</td><td>69</td><td>68</td><td></td><td></td><td>65</td><td>64</td><td></td><td></td><td></td><td>59</td><td>58</td><td>56</td><td>54</td></tr> <tr><td>52</td><td></td><td>50</td><td>49</td><td></td><td>47</td><td></td><td></td><td></td><td></td><td>42</td><td>41</td><td></td><td>38</td><td>37</td><td>36</td><td>34</td></tr> <tr><td colspan="3">73</td><td>32</td><td>31</td><td>30</td><td>29</td><td>28</td><td>27</td><td>26</td><td></td><td></td><td>23</td><td></td><td>20</td><td>19</td><td>18</td><td>17</td></tr> <tr><td></td><td></td><td></td><td>16</td><td></td><td></td><td>13</td><td>12</td><td>11</td><td>10</td><td>9</td><td>8</td><td></td><td></td><td></td><td></td><td></td><td>1</td></tr> </table>			70	69	68			65	64				59	58	56	54	52		50	49		47					42	41		38	37	36	34	73			32	31	30	29	28	27	26			23		20	19	18	17				16			13	12	11	10	9	8						1			
		70	69	68			65	64				59	58	56	54																																																															
52		50	49		47					42	41		38	37	36	34																																																														
73			32	31	30	29	28	27	26			23		20	19	18	17																																																													
			16			13	12	11	10	9	8						1																																																													
AVAILABLE	NOT APPLICABLE	34566-1533	0	A	BLACK	<table border="1"> <tr><td>72</td><td>71</td><td>70</td><td>69</td><td>68</td><td></td><td></td><td>65</td><td>64</td><td>63</td><td></td><td>61</td><td>59</td><td>58</td><td>57</td><td>56</td><td></td><td></td></tr> <tr><td>52</td><td>51</td><td>50</td><td>49</td><td></td><td>47</td><td></td><td></td><td></td><td></td><td></td><td>41</td><td></td><td>38</td><td>37</td><td>36</td><td>34</td><td>33</td></tr> <tr><td colspan="3">73</td><td>32</td><td>31</td><td>30</td><td>29</td><td>28</td><td>27</td><td></td><td></td><td>24</td><td>23</td><td></td><td>20</td><td>19</td><td>18</td><td>17</td></tr> <tr><td></td><td></td><td></td><td>16</td><td></td><td></td><td>13</td><td>12</td><td>11</td><td>10</td><td>9</td><td></td><td></td><td></td><td></td><td>3</td><td>2</td><td>1</td></tr> </table>	72	71	70	69	68			65	64	63		61	59	58	57	56			52	51	50	49		47						41		38	37	36	34	33	73			32	31	30	29	28	27			24	23		20	19	18	17				16			13	12	11	10	9					3	2	1
72	71	70	69	68			65	64	63		61	59	58	57	56																																																															
52	51	50	49		47						41		38	37	36	34	33																																																													
73			32	31	30	29	28	27			24	23		20	19	18	17																																																													
			16			13	12	11	10	9					3	2	1																																																													
AVAILABLE	NOT APPLICABLE	34566-1543	0	B	ST GRY	<table border="1"> <tr><td></td><td></td><td></td><td>69</td><td>68</td><td></td><td>66</td><td></td><td></td><td></td><td></td><td></td><td>59</td><td>57</td><td>55</td><td>53</td></tr> <tr><td></td><td></td><td></td><td>49</td><td>48</td><td></td><td>46</td><td></td><td></td><td></td><td></td><td></td><td>39</td><td>37</td><td>35</td><td>33</td></tr> <tr><td colspan="3">73</td><td></td><td></td><td></td><td>29</td><td></td><td></td><td></td><td></td><td>23</td><td>21</td><td></td><td></td><td></td><td></td></tr> <tr><td></td><td></td><td></td><td></td><td></td><td></td><td></td><td>11</td><td>10</td><td></td><td></td><td>7</td><td></td><td></td><td></td><td></td><td></td></tr> </table>				69	68		66						59	57	55	53				49	48		46						39	37	35	33	73						29					23	21												11	10			7											
			69	68		66						59	57	55	53																																																															
			49	48		46						39	37	35	33																																																															
73						29					23	21																																																																		
							11	10			7																																																																			
AVAILABLE	NOT APPLICABLE	34566-1583	0	A	BLACK	<table border="1"> <tr><td></td><td></td><td>70</td><td></td><td></td><td>67</td><td>66</td><td>65</td><td></td><td></td><td></td><td>61</td><td></td><td>58</td><td>57</td><td>55</td><td>54</td></tr> <tr><td></td><td></td><td></td><td>49</td><td></td><td>47</td><td></td><td>45</td><td>44</td><td>43</td><td>42</td><td>41</td><td>39</td><td></td><td>37</td><td></td><td>34</td></tr> <tr><td colspan="3">73</td><td>32</td><td></td><td>30</td><td></td><td></td><td>27</td><td></td><td>25</td><td>24</td><td></td><td>21</td><td>20</td><td>19</td><td>18</td><td>17</td></tr> <tr><td></td><td></td><td></td><td></td><td>15</td><td></td><td>13</td><td></td><td>11</td><td></td><td>9</td><td>8</td><td></td><td>6</td><td>5</td><td></td><td>3</td><td>1</td></tr> </table>			70			67	66	65				61		58	57	55	54				49		47		45	44	43	42	41	39		37		34	73			32		30			27		25	24		21	20	19	18	17					15		13		11		9	8		6	5		3	1		
		70			67	66	65				61		58	57	55	54																																																														
			49		47		45	44	43	42	41	39		37		34																																																														
73			32		30			27		25	24		21	20	19	18	17																																																													
				15		13		11		9	8		6	5		3	1																																																													

PRE-RELEASE  
REFERENCE  
USE ONLY


THIS DRAWING CONTAINS INFORMATION THAT IS PROPRIETARY TO MOLEX ELECTRONIC TECHNOLOGIES, LLC AND SHOULD NOT BE USED WITHOUT WRITTEN PERMISSION									
EC NO: 120093 DRWN: APODDATURI CHKD: REV APPR: VKOSHY	2017/07/13	2017/08/08	GENERAL TOLERANCES (UNLESS SPECIFIED)	DIMENSION UNITS	SCALE				
			ANGULAR TOL ± °	MM	1:1				
	4 PLACES ±		SKRAJENDRANA	DATE	2011/02/14	MX123 66/73/80CKT HRNS CONN ASSY			
	3 PLACES ±		MVANSLAMBROU	DATE	2011/02/14				
	2 PLACES ±			DATE		PRODUCT CUSTOMER DRAWING			
	1 PLACE ±			DATE					
0 PLACES ±			DATE		SERIES	MATERIAL NUMBER	CUSTOMER		
DRAFT WHERE APPLICABLE MUST REMAIN WITHIN DIMENSIONS	D	THIRD ANGLE PROJECTION			34566	SEE BOM TABLE	GENERAL MARKET		
G55					DOCUMENT NUMBER	DOC TYPE	DOC PART	SHEET NUMBER	
					SD-34566-001	PSD	000	24 OF 98	





STATUS	GM PART #	MATERIAL #	WIRE DRESS OPTION	KEY OPTION	COLOR (TPA)	NUMBERS INDICATE CAVITIES OPEN FOR CIRCUITS																																																																																
AVAILABLE	NOT APPLICABLE	34566-1773	0	C	BLUE	<table border="1"> <tr><td>72</td><td>70</td><td></td><td>67</td><td>66</td><td></td><td>63</td><td>62</td><td></td><td>59</td><td>57</td><td></td><td></td><td>53</td></tr> <tr><td>52</td><td>51</td><td></td><td></td><td>46</td><td></td><td>44</td><td>42</td><td></td><td>40</td><td>39</td><td></td><td></td><td>34</td><td>33</td></tr> <tr><td colspan="2">73</td><td></td><td></td><td>30</td><td></td><td></td><td>27</td><td>26</td><td>25</td><td></td><td>22</td><td>21</td><td>20</td><td></td></tr> <tr><td colspan="2"></td><td></td><td>15</td><td>14</td><td></td><td></td><td>10</td><td>9</td><td></td><td></td><td>6</td><td>5</td><td>4</td><td></td></tr> </table>	72	70		67	66		63	62		59	57			53	52	51			46		44	42		40	39			34	33	73				30			27	26	25		22	21	20					15	14			10	9			6	5	4																						
72	70		67	66		63	62		59	57			53																																																																									
52	51			46		44	42		40	39			34	33																																																																								
73				30			27	26	25		22	21	20																																																																									
			15	14			10	9			6	5	4																																																																									
AVAILABLE	NOT APPLICABLE	34566-1783	0	C	BLUE	<table border="1"> <tr><td>72</td><td>70</td><td></td><td>67</td><td>66</td><td></td><td>63</td><td>62</td><td></td><td>59</td><td>57</td><td></td><td></td><td>53</td></tr> <tr><td>52</td><td>51</td><td></td><td></td><td>46</td><td></td><td>44</td><td>42</td><td></td><td>40</td><td>39</td><td></td><td></td><td>34</td><td>33</td></tr> <tr><td colspan="2">73</td><td></td><td></td><td>30</td><td></td><td></td><td>26</td><td>25</td><td></td><td>22</td><td>21</td><td>20</td><td></td><td></td></tr> <tr><td colspan="2"></td><td></td><td>15</td><td>14</td><td></td><td></td><td>10</td><td>9</td><td></td><td></td><td>6</td><td>5</td><td>4</td><td></td></tr> </table>	72	70		67	66		63	62		59	57			53	52	51			46		44	42		40	39			34	33	73				30			26	25		22	21	20						15	14			10	9			6	5	4																						
72	70		67	66		63	62		59	57			53																																																																									
52	51			46		44	42		40	39			34	33																																																																								
73				30			26	25		22	21	20																																																																										
			15	14			10	9			6	5	4																																																																									
AVAILABLE	NOT APPLICABLE	34566-1793	0	A	BLACK	<table border="1"> <tr><td></td><td></td><td>69</td><td></td><td></td><td></td><td>63</td><td>62</td><td>61</td><td></td><td>58</td><td>57</td><td>56</td><td>55</td><td>54</td><td>53</td></tr> <tr><td>52</td><td>51</td><td>49</td><td></td><td></td><td></td><td>44</td><td>43</td><td>42</td><td>41</td><td></td><td>37</td><td>36</td><td>35</td><td>34</td><td>33</td></tr> <tr><td colspan="2">73</td><td></td><td>32</td><td></td><td></td><td>29</td><td>28</td><td>27</td><td>26</td><td></td><td></td><td></td><td>19</td><td>18</td><td></td></tr> <tr><td colspan="2"></td><td></td><td>16</td><td></td><td></td><td>13</td><td>12</td><td>11</td><td>10</td><td></td><td></td><td></td><td>3</td><td></td><td></td></tr> </table>			69				63	62	61		58	57	56	55	54	53	52	51	49				44	43	42	41		37	36	35	34	33	73			32			29	28	27	26				19	18					16			13	12	11	10				3																		
		69				63	62	61		58	57	56	55	54	53																																																																							
52	51	49				44	43	42	41		37	36	35	34	33																																																																							
73			32			29	28	27	26				19	18																																																																								
			16			13	12	11	10				3																																																																									
AVAILABLE	NOT APPLICABLE	34566-1813	0	B	ST GRY	<table border="1"> <tr><td>72</td><td>71</td><td>70</td><td></td><td>68</td><td>67</td><td>66</td><td></td><td></td><td>62</td><td>61</td><td>60</td><td>59</td><td>58</td><td>57</td><td>56</td><td>55</td><td>54</td><td>53</td></tr> <tr><td>52</td><td>51</td><td>50</td><td></td><td>48</td><td>47</td><td>46</td><td></td><td></td><td>42</td><td>41</td><td>40</td><td>39</td><td>38</td><td>37</td><td>36</td><td>35</td><td>34</td><td>33</td></tr> <tr><td colspan="2">73</td><td></td><td></td><td>32</td><td>31</td><td>30</td><td>29</td><td>28</td><td>27</td><td>26</td><td>25</td><td>24</td><td>23</td><td></td><td></td><td></td><td></td><td></td></tr> <tr><td colspan="2"></td><td></td><td></td><td>16</td><td>15</td><td>14</td><td>13</td><td></td><td></td><td>10</td><td>9</td><td>8</td><td></td><td></td><td></td><td></td><td></td><td></td></tr> </table>	72	71	70		68	67	66			62	61	60	59	58	57	56	55	54	53	52	51	50		48	47	46			42	41	40	39	38	37	36	35	34	33	73				32	31	30	29	28	27	26	25	24	23										16	15	14	13			10	9	8										
72	71	70		68	67	66			62	61	60	59	58	57	56	55	54	53																																																																				
52	51	50		48	47	46			42	41	40	39	38	37	36	35	34	33																																																																				
73				32	31	30	29	28	27	26	25	24	23																																																																									
				16	15	14	13			10	9	8																																																																										
AVAILABLE	NOT APPLICABLE	34566-1823	0	A	BLACK	<table border="1"> <tr><td>72</td><td>71</td><td>70</td><td>69</td><td>68</td><td></td><td>66</td><td>65</td><td>64</td><td></td><td>61</td><td></td><td>59</td><td>58</td><td></td><td>56</td><td></td><td>54</td><td>53</td></tr> <tr><td>52</td><td></td><td>50</td><td>49</td><td></td><td>47</td><td></td><td></td><td></td><td></td><td>42</td><td>41</td><td></td><td></td><td>38</td><td>37</td><td>36</td><td></td><td>34</td><td>33</td></tr> <tr><td colspan="2">73</td><td></td><td></td><td>32</td><td>31</td><td>30</td><td>29</td><td>28</td><td>27</td><td>26</td><td></td><td>24</td><td>23</td><td>22</td><td>21</td><td>20</td><td>19</td><td>18</td><td>17</td></tr> <tr><td colspan="2"></td><td></td><td></td><td>16</td><td></td><td></td><td>13</td><td>12</td><td>11</td><td>10</td><td>9</td><td>8</td><td></td><td></td><td></td><td></td><td></td><td></td><td>1</td></tr> </table>	72	71	70	69	68		66	65	64		61		59	58		56		54	53	52		50	49		47					42	41			38	37	36		34	33	73				32	31	30	29	28	27	26		24	23	22	21	20	19	18	17					16			13	12	11	10	9	8							1	
72	71	70	69	68		66	65	64		61		59	58		56		54	53																																																																				
52		50	49		47					42	41			38	37	36		34	33																																																																			
73				32	31	30	29	28	27	26		24	23	22	21	20	19	18	17																																																																			
				16			13	12	11	10	9	8							1																																																																			
AVAILABLE	NOT APPLICABLE	34566-1833	0	A	BLACK	<table border="1"> <tr><td></td><td></td><td></td><td></td><td>68</td><td></td><td></td><td>65</td><td></td><td>63</td><td></td><td>61</td><td></td><td>59</td><td>58</td><td></td><td>56</td><td></td><td></td><td></td></tr> <tr><td>52</td><td></td><td>50</td><td></td><td></td><td>47</td><td></td><td></td><td></td><td></td><td>41</td><td></td><td></td><td></td><td>38</td><td>37</td><td>36</td><td></td><td>34</td><td>33</td></tr> <tr><td colspan="2">73</td><td></td><td></td><td>32</td><td>31</td><td>30</td><td>29</td><td>28</td><td>27</td><td></td><td>25</td><td>24</td><td>23</td><td></td><td></td><td>20</td><td>19</td><td>18</td><td>17</td></tr> <tr><td colspan="2"></td><td></td><td></td><td>16</td><td></td><td></td><td>13</td><td>12</td><td>11</td><td>10</td><td></td><td></td><td></td><td></td><td></td><td></td><td></td><td></td><td>1</td></tr> </table>					68			65		63		61		59	58		56				52		50			47					41				38	37	36		34	33	73				32	31	30	29	28	27		25	24	23			20	19	18	17					16			13	12	11	10									1
				68			65		63		61		59	58		56																																																																						
52		50			47					41				38	37	36		34	33																																																																			
73				32	31	30	29	28	27		25	24	23			20	19	18	17																																																																			
				16			13	12	11	10									1																																																																			
AVAILABLE	NOT APPLICABLE	34566-1843	0	A	BLACK	<table border="1"> <tr><td></td><td></td><td></td><td></td><td>68</td><td></td><td></td><td>65</td><td></td><td>63</td><td></td><td>61</td><td></td><td>59</td><td>58</td><td></td><td>56</td><td></td><td></td><td>53</td></tr> <tr><td>52</td><td></td><td>50</td><td></td><td></td><td>47</td><td></td><td></td><td></td><td></td><td>41</td><td></td><td></td><td></td><td>38</td><td>37</td><td>36</td><td>35</td><td>34</td><td>33</td></tr> <tr><td colspan="2">73</td><td></td><td></td><td>32</td><td>31</td><td>30</td><td>29</td><td>28</td><td>27</td><td></td><td>24</td><td>23</td><td>22</td><td>21</td><td>20</td><td>19</td><td>18</td><td>17</td><td></td></tr> <tr><td colspan="2"></td><td></td><td></td><td>16</td><td>15</td><td>14</td><td>13</td><td>12</td><td>11</td><td>10</td><td></td><td></td><td></td><td></td><td></td><td></td><td></td><td></td><td>1</td></tr> </table>					68			65		63		61		59	58		56			53	52		50			47					41				38	37	36	35	34	33	73				32	31	30	29	28	27		24	23	22	21	20	19	18	17						16	15	14	13	12	11	10									1
				68			65		63		61		59	58		56			53																																																																			
52		50			47					41				38	37	36	35	34	33																																																																			
73				32	31	30	29	28	27		24	23	22	21	20	19	18	17																																																																				
				16	15	14	13	12	11	10									1																																																																			
AVAILABLE	NOT APPLICABLE	34566-1853	0	A	BLACK	<table border="1"> <tr><td>72</td><td></td><td>70</td><td>69</td><td>68</td><td>67</td><td></td><td>65</td><td></td><td>63</td><td></td><td>61</td><td>60</td><td></td><td>57</td><td>56</td><td>55</td><td>54</td><td>53</td></tr> <tr><td>52</td><td></td><td>50</td><td>49</td><td>48</td><td>47</td><td></td><td></td><td>44</td><td>43</td><td></td><td>41</td><td>40</td><td></td><td>37</td><td>36</td><td>35</td><td>34</td><td>33</td></tr> <tr><td colspan="2">73</td><td></td><td></td><td></td><td></td><td>30</td><td>29</td><td>28</td><td></td><td></td><td>25</td><td>24</td><td></td><td>21</td><td>20</td><td>19</td><td>18</td><td>17</td></tr> <tr><td colspan="2"></td><td></td><td></td><td></td><td></td><td>16</td><td>15</td><td></td><td></td><td>11</td><td>10</td><td>9</td><td>8</td><td>7</td><td>6</td><td>5</td><td>4</td><td>3</td><td>2</td><td>1</td></tr> </table>	72		70	69	68	67		65		63		61	60		57	56	55	54	53	52		50	49	48	47			44	43		41	40		37	36	35	34	33	73						30	29	28			25	24		21	20	19	18	17							16	15			11	10	9	8	7	6	5	4	3	2	1		
72		70	69	68	67		65		63		61	60		57	56	55	54	53																																																																				
52		50	49	48	47			44	43		41	40		37	36	35	34	33																																																																				
73						30	29	28			25	24		21	20	19	18	17																																																																				
						16	15			11	10	9	8	7	6	5	4	3	2	1																																																																		
AVAILABLE	NOT APPLICABLE	34566-1863	0	B	ST GRY	<table border="1"> <tr><td></td><td></td><td></td><td></td><td>68</td><td>67</td><td>66</td><td>65</td><td>64</td><td>63</td><td></td><td></td><td></td><td></td><td></td><td></td><td></td><td></td><td></td><td></td></tr> <tr><td colspan="2">73</td><td></td><td></td><td></td><td>46</td><td>45</td><td>43</td><td></td><td></td><td></td><td></td><td></td><td></td><td></td><td></td><td></td><td></td><td></td><td>17</td></tr> <tr><td colspan="2"></td><td></td><td></td><td></td><td>32</td><td>30</td><td>29</td><td>28</td><td>27</td><td></td><td></td><td></td><td></td><td></td><td></td><td></td><td></td><td></td><td></td></tr> <tr><td colspan="2"></td><td></td><td></td><td></td><td>16</td><td></td><td></td><td></td><td>10</td><td></td><td></td><td></td><td></td><td></td><td></td><td></td><td></td><td></td><td></td></tr> </table>					68	67	66	65	64	63											73					46	45	43												17						32	30	29	28	27																16				10										
				68	67	66	65	64	63																																																																													
73					46	45	43												17																																																																			
					32	30	29	28	27																																																																													
					16				10																																																																													


PRE-RELEASE  
REFERENCE  
USE ONLY

THIS DRAWING CONTAINS INFORMATION THAT IS PROPRIETARY TO MOLEX ELECTRONIC TECHNOLOGIES, LLC AND SHOULD NOT BE USED WITHOUT WRITTEN PERMISSION													
EC NO: 120093 DRWN: APODDATURI CHKD: REV APPR: VKOSHY	2017/07/13	GENERAL TOLERANCES (UNLESS SPECIFIED)		DIMENSION UNITS	SCALE	 MX123 66/73/80CKT HRNS CONN ASSY PRODUCT CUSTOMER DRAWING							
	2017/08/08	ANGULAR TOL ± °		MM	1:1								
		4 PLACES ±	SKRAJENDRANA	DATE	2011/02/14								
		3 PLACES ±	CHKD BY	DATE									
		2 PLACES ±	MVANSLAMBROU	DATE	2011/02/14								
	1 PLACE ±	APPR BY	DATE		SERIES		MATERIAL NUMBER		CUSTOMER				
	0 PLACES ±	DRAFT WHERE APPLICABLE MUST REMAIN WITHIN DIMENSIONS		DRAWING SIZE	THIRD ANGLE PROJECTION	34566	SEE BOM TABLE	GENERAL MARKET					
G55		D				DOCUMENT NUMBER	SD-34566-001	DOC TYPE	PSD	DOC PART	000	SHEET NUMBER	27 OF 98

STATUS	GM PART #	MATERIAL #	WIRE DRESS OPTION	KEY OPTION	COLOR (TPA)	NUMBERS INDICATE CAVITIES OPEN FOR CIRCUITS																																																																																																						
AVAILABLE	NOT APPLICABLE	34566-1873	0	C	BLUE	<table border="1"> <tr><td>72</td><td>70</td><td></td><td></td><td>67</td><td>66</td><td></td><td></td><td>63</td><td>62</td><td></td><td></td><td>59</td><td>57</td><td></td><td></td><td>53</td></tr> <tr><td>52</td><td>51</td><td></td><td></td><td></td><td>46</td><td></td><td>44</td><td>42</td><td>40</td><td>39</td><td></td><td></td><td></td><td></td><td>34</td><td>33</td></tr> <tr><td colspan="2">73</td><td></td><td>32</td><td></td><td>30</td><td></td><td></td><td>27</td><td>26</td><td>25</td><td></td><td></td><td>22</td><td>21</td><td>20</td><td></td></tr> <tr><td colspan="2"></td><td></td><td>15</td><td>14</td><td></td><td></td><td></td><td>10</td><td>9</td><td></td><td></td><td></td><td>6</td><td>5</td><td>4</td><td></td></tr> </table>	72	70			67	66			63	62			59	57			53	52	51				46		44	42	40	39					34	33	73			32		30			27	26	25			22	21	20					15	14				10	9				6	5	4																																			
72	70			67	66			63	62			59	57			53																																																																																												
52	51				46		44	42	40	39					34	33																																																																																												
73			32		30			27	26	25			22	21	20																																																																																													
			15	14				10	9				6	5	4																																																																																													
AVAILABLE	NOT APPLICABLE	34566-1883	0	A	BLACK	<table border="1"> <tr><td></td><td>70</td><td></td><td>68</td><td>67</td><td>66</td><td>65</td><td></td><td></td><td></td><td></td><td></td><td></td><td>58</td><td>57</td><td></td><td>55</td></tr> <tr><td></td><td></td><td>49</td><td></td><td>47</td><td></td><td></td><td>44</td><td>43</td><td>42</td><td>41</td><td>40</td><td>39</td><td></td><td>37</td><td></td><td>35</td></tr> <tr><td colspan="2">73</td><td></td><td>32</td><td></td><td>30</td><td></td><td></td><td>27</td><td></td><td>25</td><td>24</td><td></td><td></td><td>21</td><td>20</td><td>19</td></tr> <tr><td colspan="2"></td><td></td><td>16</td><td>15</td><td></td><td>13</td><td></td><td></td><td>10</td><td>9</td><td>8</td><td></td><td></td><td>6</td><td>5</td><td>3</td></tr> <tr><td colspan="2"></td><td></td><td></td><td></td><td></td><td></td><td></td><td></td><td></td><td></td><td></td><td></td><td></td><td></td><td></td><td>2</td></tr> <tr><td colspan="2"></td><td></td><td></td><td></td><td></td><td></td><td></td><td></td><td></td><td></td><td></td><td></td><td></td><td></td><td></td><td>1</td></tr> </table>		70		68	67	66	65							58	57		55			49		47			44	43	42	41	40	39		37		35	73			32		30			27		25	24			21	20	19				16	15		13			10	9	8			6	5	3																	2																	1
	70		68	67	66	65							58	57		55																																																																																												
		49		47			44	43	42	41	40	39		37		35																																																																																												
73			32		30			27		25	24			21	20	19																																																																																												
			16	15		13			10	9	8			6	5	3																																																																																												
																2																																																																																												
																1																																																																																												
AVAILABLE	NOT APPLICABLE	34566-1893	0	C	BLUE	<table border="1"> <tr><td>72</td><td>70</td><td></td><td></td><td></td><td>66</td><td></td><td></td><td>63</td><td></td><td></td><td></td><td>59</td><td>57</td><td></td><td></td><td>53</td></tr> <tr><td>52</td><td>51</td><td></td><td></td><td></td><td>46</td><td></td><td>44</td><td>42</td><td>40</td><td>39</td><td></td><td></td><td></td><td></td><td></td><td>34</td></tr> <tr><td colspan="2">73</td><td></td><td>32</td><td></td><td>30</td><td></td><td></td><td>27</td><td>26</td><td>25</td><td></td><td></td><td>22</td><td>21</td><td>20</td><td></td></tr> <tr><td colspan="2"></td><td></td><td>15</td><td>14</td><td></td><td></td><td></td><td>10</td><td>9</td><td></td><td></td><td></td><td>6</td><td>5</td><td>4</td><td></td></tr> </table>	72	70				66			63				59	57			53	52	51				46		44	42	40	39						34	73			32		30			27	26	25			22	21	20					15	14				10	9				6	5	4																																			
72	70				66			63				59	57			53																																																																																												
52	51				46		44	42	40	39						34																																																																																												
73			32		30			27	26	25			22	21	20																																																																																													
			15	14				10	9				6	5	4																																																																																													
AVAILABLE	NOT APPLICABLE	34566-1913	0	B	ST GRY	<table border="1"> <tr><td>72</td><td>70</td><td></td><td>68</td><td></td><td>66</td><td></td><td></td><td></td><td></td><td></td><td></td><td>60</td><td>59</td><td></td><td></td><td>55</td><td>54</td><td>53</td></tr> <tr><td>52</td><td>50</td><td></td><td>48</td><td>46</td><td></td><td></td><td></td><td></td><td></td><td></td><td></td><td>40</td><td>39</td><td></td><td></td><td>35</td><td>34</td><td>33</td></tr> <tr><td colspan="2">73</td><td></td><td>32</td><td>31</td><td>30</td><td>29</td><td>28</td><td>27</td><td>26</td><td>25</td><td>24</td><td></td><td></td><td></td><td></td><td></td><td></td><td></td></tr> <tr><td colspan="2"></td><td></td><td>16</td><td></td><td></td><td></td><td></td><td></td><td>10</td><td>9</td><td>8</td><td></td><td></td><td></td><td></td><td></td><td></td><td></td></tr> </table>	72	70		68		66							60	59			55	54	53	52	50		48	46								40	39			35	34	33	73			32	31	30	29	28	27	26	25	24											16						10	9	8																																	
72	70		68		66							60	59			55	54	53																																																																																										
52	50		48	46								40	39			35	34	33																																																																																										
73			32	31	30	29	28	27	26	25	24																																																																																																	
			16						10	9	8																																																																																																	
AVAILABLE	NOT APPLICABLE	34566-1923	0	A	BLACK	<table border="1"> <tr><td></td><td></td><td>69</td><td></td><td></td><td></td><td></td><td></td><td>63</td><td></td><td></td><td></td><td></td><td>58</td><td>56</td><td>55</td><td>54</td><td>53</td></tr> <tr><td>52</td><td>51</td><td></td><td>49</td><td></td><td></td><td></td><td></td><td>44</td><td>43</td><td>42</td><td>41</td><td></td><td></td><td>36</td><td>35</td><td>34</td><td>33</td></tr> <tr><td colspan="2">73</td><td></td><td>32</td><td></td><td></td><td></td><td></td><td>28</td><td></td><td>26</td><td></td><td></td><td></td><td></td><td>19</td><td>18</td><td></td></tr> <tr><td colspan="2"></td><td></td><td>16</td><td></td><td></td><td></td><td></td><td>12</td><td>10</td><td></td><td></td><td></td><td></td><td></td><td>3</td><td></td><td></td></tr> </table>			69						63					58	56	55	54	53	52	51		49					44	43	42	41			36	35	34	33	73			32					28		26					19	18					16					12	10						3																																
		69						63					58	56	55	54	53																																																																																											
52	51		49					44	43	42	41			36	35	34	33																																																																																											
73			32					28		26					19	18																																																																																												
			16					12	10						3																																																																																													
AVAILABLE	NOT APPLICABLE	34566-1933	0	A	BLACK	<table border="1"> <tr><td></td><td>70</td><td></td><td></td><td>67</td><td>66</td><td>65</td><td></td><td></td><td></td><td></td><td></td><td></td><td>58</td><td>57</td><td></td><td>55</td><td></td><td></td></tr> <tr><td></td><td></td><td>49</td><td></td><td>47</td><td></td><td></td><td>44</td><td>43</td><td>42</td><td>41</td><td>40</td><td>39</td><td></td><td>37</td><td></td><td>35</td><td></td><td></td></tr> <tr><td colspan="2">73</td><td></td><td>32</td><td></td><td>30</td><td></td><td></td><td>27</td><td></td><td>25</td><td>24</td><td></td><td></td><td>21</td><td>20</td><td>19</td><td>18</td><td>17</td></tr> <tr><td colspan="2"></td><td></td><td>16</td><td>15</td><td></td><td>13</td><td></td><td></td><td>10</td><td>9</td><td>8</td><td></td><td></td><td>6</td><td>5</td><td>3</td><td>2</td><td>1</td></tr> </table>		70			67	66	65							58	57		55					49		47			44	43	42	41	40	39		37		35			73			32		30			27		25	24			21	20	19	18	17				16	15		13			10	9	8			6	5	3	2	1																										
	70			67	66	65							58	57		55																																																																																												
		49		47			44	43	42	41	40	39		37		35																																																																																												
73			32		30			27		25	24			21	20	19	18	17																																																																																										
			16	15		13			10	9	8			6	5	3	2	1																																																																																										
AVAILABLE	NOT APPLICABLE	34566-1943	0	A	BLACK	<table border="1"> <tr><td></td><td>70</td><td></td><td></td><td>67</td><td>66</td><td>65</td><td></td><td></td><td></td><td></td><td></td><td></td><td>58</td><td>57</td><td></td><td>55</td><td></td><td></td></tr> <tr><td></td><td>51</td><td></td><td>49</td><td></td><td>47</td><td></td><td></td><td>44</td><td>43</td><td>42</td><td>41</td><td>40</td><td>39</td><td></td><td>37</td><td></td><td>35</td><td></td></tr> <tr><td colspan="2">73</td><td></td><td>32</td><td></td><td>30</td><td></td><td></td><td>27</td><td></td><td>25</td><td>24</td><td></td><td></td><td>21</td><td>20</td><td>19</td><td>18</td><td>17</td></tr> <tr><td colspan="2"></td><td></td><td>16</td><td>15</td><td></td><td>13</td><td></td><td></td><td>10</td><td>9</td><td>8</td><td></td><td></td><td>6</td><td>5</td><td>3</td><td>2</td><td>1</td></tr> </table>		70			67	66	65							58	57		55				51		49		47			44	43	42	41	40	39		37		35		73			32		30			27		25	24			21	20	19	18	17				16	15		13			10	9	8			6	5	3	2	1																										
	70			67	66	65							58	57		55																																																																																												
	51		49		47			44	43	42	41	40	39		37		35																																																																																											
73			32		30			27		25	24			21	20	19	18	17																																																																																										
			16	15		13			10	9	8			6	5	3	2	1																																																																																										
AVAILABLE	NOT APPLICABLE	34566-1953	0	C	BLUE	<table border="1"> <tr><td>72</td><td>70</td><td></td><td></td><td></td><td>66</td><td></td><td></td><td>63</td><td></td><td></td><td></td><td>59</td><td>57</td><td></td><td></td><td></td><td></td><td>53</td></tr> <tr><td>52</td><td>51</td><td></td><td></td><td>48</td><td>47</td><td>46</td><td></td><td>44</td><td>42</td><td>40</td><td>39</td><td></td><td></td><td></td><td></td><td></td><td></td><td>34</td></tr> <tr><td colspan="2">73</td><td></td><td></td><td></td><td>30</td><td></td><td></td><td></td><td>26</td><td>25</td><td></td><td></td><td>22</td><td>21</td><td>20</td><td></td><td></td><td></td></tr> <tr><td colspan="2"></td><td></td><td></td><td></td><td>15</td><td>14</td><td></td><td></td><td>10</td><td>9</td><td></td><td></td><td>6</td><td>5</td><td>4</td><td></td><td></td><td></td></tr> </table>	72	70				66			63				59	57					53	52	51			48	47	46		44	42	40	39							34	73					30				26	25			22	21	20									15	14			10	9			6	5	4																													
72	70				66			63				59	57					53																																																																																										
52	51			48	47	46		44	42	40	39							34																																																																																										
73					30				26	25			22	21	20																																																																																													
					15	14			10	9			6	5	4																																																																																													
AVAILABLE	NOT APPLICABLE	34566-1963	0	C	BLUE	<table border="1"> <tr><td>72</td><td>70</td><td></td><td></td><td></td><td>66</td><td></td><td></td><td>63</td><td></td><td></td><td></td><td>59</td><td>57</td><td></td><td></td><td></td><td></td><td>53</td></tr> <tr><td>52</td><td>51</td><td></td><td></td><td></td><td>46</td><td></td><td>44</td><td>42</td><td>40</td><td>39</td><td></td><td></td><td></td><td></td><td></td><td></td><td></td><td>34</td></tr> <tr><td colspan="2">73</td><td></td><td></td><td></td><td>30</td><td></td><td></td><td>26</td><td>25</td><td></td><td></td><td>22</td><td>21</td><td>20</td><td></td><td></td><td></td><td></td></tr> <tr><td colspan="2"></td><td></td><td></td><td></td><td>15</td><td>14</td><td></td><td></td><td>10</td><td>9</td><td></td><td></td><td>6</td><td>5</td><td>4</td><td></td><td></td><td></td></tr> </table>	72	70				66			63				59	57					53	52	51				46		44	42	40	39								34	73					30			26	25			22	21	20										15	14			10	9			6	5	4																													
72	70				66			63				59	57					53																																																																																										
52	51				46		44	42	40	39								34																																																																																										
73					30			26	25			22	21	20																																																																																														
					15	14			10	9			6	5	4																																																																																													

PRE-RELEASE  
REFERENCE  
USE ONLY

THIS DRAWING CONTAINS INFORMATION THAT IS PROPRIETARY TO MOLEX ELECTRONIC TECHNOLOGIES, LLC AND SHOULD NOT BE USED WITHOUT WRITTEN PERMISSION

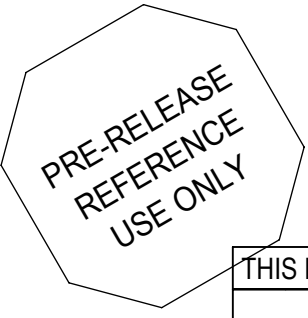
EC NO: 120083 DRWN: APODDATURI CHKD: REV APPR: VKOSHY	2017/07/13	GENERAL TOLERANCES (UNLESS SPECIFIED)	DIMENSION UNITS	SCALE		
	2017/08/08	ANGULAR TOL ± °	MM	1:1		
		4 PLACES ±	DRWN BY	DATE		SKRAJENDRANA 2011/02/14
		3 PLACES ±	CHKD BY	DATE		MVANSLAMBROU 2011/02/14
		2 PLACES ±	APPR BY	DATE		
	1 PLACE ±				PRODUCT CUSTOMER DRAWING	
	0 PLACES ±				SERIES MATERIAL NUMBER CUSTOMER	
	DRAFT WHERE APPLICABLE MUST REMAIN WITHIN DIMENSIONS	DRAWING SIZE	THIRD ANGLE PROJECTION		34566 SEE BOM TABLE GENERAL MARKET	
G55			D		DOCUMENT NUMBER DOC TYPE DOC PART SHEET NUMBER	
					SD-34566-001 PSD 000 28 OF 98	







STATUS	GM PART #	MATERIAL #	WIRE DRESS OPTION	KEY OPTION 	COLOR (TPA) 	NUMBERS INDICATE CAVITIES OPEN FOR CIRCUITS 																																																																																												
AVAILABLE	NOT APPLICABLE	34566-2193	0	A	BLACK	<table border="1"> <tr><td></td><td></td><td>70</td><td></td><td></td><td></td><td>67</td><td>66</td><td>65</td><td></td><td></td><td></td><td></td><td></td><td></td><td></td><td>58</td><td>57</td><td></td><td>55</td><td></td><td></td><td></td></tr> <tr><td></td><td></td><td></td><td>49</td><td></td><td></td><td>47</td><td></td><td></td><td>44</td><td>43</td><td>42</td><td>41</td><td></td><td>39</td><td></td><td>37</td><td></td><td></td><td>20</td><td>19</td><td>18</td><td>17</td></tr> <tr><td></td><td></td><td>73</td><td></td><td></td><td></td><td>32</td><td></td><td>30</td><td></td><td></td><td></td><td>27</td><td></td><td>25</td><td>24</td><td></td><td>21</td><td>20</td><td></td><td></td><td></td><td></td></tr> <tr><td></td><td></td><td></td><td></td><td></td><td></td><td>15</td><td></td><td>13</td><td></td><td></td><td></td><td></td><td>9</td><td>8</td><td></td><td>6</td><td>5</td><td></td><td>3</td><td></td><td></td><td>1</td></tr> </table>			70				67	66	65								58	57		55							49			47			44	43	42	41		39		37			20	19	18	17			73				32		30				27		25	24		21	20											15		13					9	8		6	5		3			1
		70				67	66	65								58	57		55																																																																															
			49			47			44	43	42	41		39		37			20	19	18	17																																																																												
		73				32		30				27		25	24		21	20																																																																																
						15		13					9	8		6	5		3			1																																																																												
AVAILABLE	NOT APPLICABLE	34566-2213	9	H	ST GRY	<table border="1"> <tr><td></td><td>79</td><td>78</td><td>77</td><td>76</td><td>75</td><td>74</td><td>73</td><td>72</td><td>71</td><td>70</td><td>69</td><td>68</td><td></td><td></td><td>66</td><td>65</td><td>64</td><td>63</td><td></td><td>61</td><td></td><td></td></tr> <tr><td>60</td><td>59</td><td>58</td><td>57</td><td>56</td><td></td><td></td><td>53</td><td>52</td><td></td><td>50</td><td></td><td></td><td></td><td></td><td></td><td></td><td></td><td>44</td><td>43</td><td></td><td>41</td><td></td></tr> <tr><td>40</td><td>39</td><td>38</td><td>37</td><td></td><td>35</td><td>34</td><td>33</td><td>32</td><td></td><td>30</td><td>29</td><td></td><td>27</td><td>26</td><td></td><td></td><td></td><td>24</td><td>23</td><td></td><td>22</td><td>21</td></tr> <tr><td>20</td><td>19</td><td>18</td><td>17</td><td></td><td></td><td>14</td><td>13</td><td>12</td><td>11</td><td>10</td><td>9</td><td>8</td><td></td><td></td><td>6</td><td>5</td><td></td><td></td><td>3</td><td></td><td>2</td><td></td></tr> </table>		79	78	77	76	75	74	73	72	71	70	69	68			66	65	64	63		61			60	59	58	57	56			53	52		50								44	43		41		40	39	38	37		35	34	33	32		30	29		27	26				24	23		22	21	20	19	18	17			14	13	12	11	10	9	8			6	5			3		2	
	79	78	77	76	75	74	73	72	71	70	69	68			66	65	64	63		61																																																																														
60	59	58	57	56			53	52		50								44	43		41																																																																													
40	39	38	37		35	34	33	32		30	29		27	26				24	23		22	21																																																																												
20	19	18	17			14	13	12	11	10	9	8			6	5			3		2																																																																													
AVAILABLE	NOT APPLICABLE	34566-2223	0	A	BLACK	<table border="1"> <tr><td>72</td><td>71</td><td>70</td><td>69</td><td>68</td><td>67</td><td>66</td><td></td><td></td><td>64</td><td>63</td><td>62</td><td></td><td></td><td>60</td><td>59</td><td></td><td></td><td></td><td>55</td><td>54</td><td>53</td><td></td></tr> <tr><td>52</td><td></td><td></td><td>49</td><td>48</td><td></td><td>46</td><td></td><td></td><td>44</td><td>43</td><td>42</td><td></td><td></td><td>40</td><td>39</td><td></td><td></td><td></td><td>35</td><td>34</td><td>33</td><td></td></tr> <tr><td></td><td></td><td>73</td><td></td><td></td><td></td><td>32</td><td></td><td>29</td><td></td><td></td><td>27</td><td></td><td></td><td>24</td><td>23</td><td></td><td></td><td></td><td>19</td><td>18</td><td>17</td><td></td></tr> <tr><td></td><td></td><td></td><td></td><td></td><td>16</td><td></td><td>14</td><td>13</td><td>21</td><td>11</td><td></td><td></td><td>9</td><td>8</td><td>7</td><td>6</td><td>5</td><td>4</td><td>3</td><td>2</td><td></td><td>1</td></tr> </table>	72	71	70	69	68	67	66			64	63	62			60	59				55	54	53		52			49	48		46			44	43	42			40	39				35	34	33				73				32		29			27			24	23				19	18	17							16		14	13	21	11			9	8	7	6	5	4	3	2		1
72	71	70	69	68	67	66			64	63	62			60	59				55	54	53																																																																													
52			49	48		46			44	43	42			40	39				35	34	33																																																																													
		73				32		29			27			24	23				19	18	17																																																																													
					16		14	13	21	11			9	8	7	6	5	4	3	2		1																																																																												
AVAILABLE	NOT APPLICABLE	34566-2233	0	A	BLACK	<table border="1"> <tr><td></td><td></td><td></td><td>69</td><td></td><td></td><td></td><td></td><td></td><td>63</td><td></td><td></td><td></td><td></td><td></td><td>58</td><td></td><td>56</td><td></td><td>54</td><td></td><td></td><td></td></tr> <tr><td>52</td><td>51</td><td></td><td>49</td><td></td><td></td><td></td><td></td><td></td><td>44</td><td>43</td><td>42</td><td>41</td><td></td><td></td><td></td><td></td><td></td><td>36</td><td>35</td><td>34</td><td>33</td><td></td></tr> <tr><td></td><td></td><td>73</td><td></td><td></td><td></td><td>32</td><td></td><td></td><td>28</td><td></td><td>26</td><td></td><td></td><td></td><td></td><td></td><td></td><td></td><td>19</td><td>18</td><td></td><td></td></tr> <tr><td></td><td></td><td></td><td></td><td></td><td>16</td><td></td><td></td><td></td><td>12</td><td>10</td><td></td><td></td><td></td><td></td><td></td><td></td><td></td><td></td><td>3</td><td></td><td></td><td></td></tr> </table>				69						63						58		56		54				52	51		49						44	43	42	41						36	35	34	33				73				32			28		26								19	18								16				12	10									3			
			69						63						58		56		54																																																																															
52	51		49						44	43	42	41						36	35	34	33																																																																													
		73				32			28		26								19	18																																																																														
					16				12	10									3																																																																															
AVAILABLE	NOT APPLICABLE	34566-2243	0	H	ST GRY	<table border="1"> <tr><td></td><td>79</td><td>78</td><td>77</td><td>76</td><td>75</td><td>74</td><td>73</td><td>72</td><td>71</td><td>70</td><td>69</td><td>68</td><td></td><td></td><td>66</td><td>65</td><td>64</td><td>63</td><td></td><td>61</td><td></td><td></td></tr> <tr><td>60</td><td>59</td><td>58</td><td>57</td><td>56</td><td></td><td></td><td>53</td><td>52</td><td></td><td>50</td><td></td><td></td><td></td><td></td><td></td><td></td><td></td><td>44</td><td>43</td><td></td><td>41</td><td></td></tr> <tr><td>40</td><td>39</td><td>38</td><td>37</td><td></td><td>35</td><td>34</td><td>33</td><td>32</td><td></td><td>30</td><td>29</td><td></td><td>27</td><td>26</td><td></td><td></td><td></td><td>24</td><td>23</td><td></td><td>22</td><td>21</td></tr> <tr><td>20</td><td>19</td><td>18</td><td>17</td><td>16</td><td></td><td>14</td><td>13</td><td>12</td><td>11</td><td>10</td><td>9</td><td>8</td><td></td><td></td><td>6</td><td>5</td><td></td><td></td><td>3</td><td></td><td>2</td><td></td></tr> </table>		79	78	77	76	75	74	73	72	71	70	69	68			66	65	64	63		61			60	59	58	57	56			53	52		50								44	43		41		40	39	38	37		35	34	33	32		30	29		27	26				24	23		22	21	20	19	18	17	16		14	13	12	11	10	9	8			6	5			3		2	
	79	78	77	76	75	74	73	72	71	70	69	68			66	65	64	63		61																																																																														
60	59	58	57	56			53	52		50								44	43		41																																																																													
40	39	38	37		35	34	33	32		30	29		27	26				24	23		22	21																																																																												
20	19	18	17	16		14	13	12	11	10	9	8			6	5			3		2																																																																													
AVAILABLE	NOT APPLICABLE	34566-2253	0	A	BLACK	<table border="1"> <tr><td>72</td><td>71</td><td>70</td><td>69</td><td>68</td><td></td><td>66</td><td>65</td><td>64</td><td>63</td><td></td><td>61</td><td></td><td>59</td><td>58</td><td></td><td></td><td>56</td><td></td><td>54</td><td>53</td><td></td><td></td></tr> <tr><td>52</td><td></td><td>50</td><td>49</td><td></td><td>47</td><td></td><td></td><td></td><td></td><td>42</td><td>41</td><td></td><td></td><td>38</td><td>37</td><td></td><td>36</td><td></td><td>34</td><td>33</td><td></td><td></td></tr> <tr><td></td><td></td><td>73</td><td></td><td></td><td>32</td><td>31</td><td>30</td><td>29</td><td>28</td><td>27</td><td>26</td><td></td><td>24</td><td>23</td><td>22</td><td>21</td><td>20</td><td>19</td><td>18</td><td>17</td><td></td><td>1</td></tr> <tr><td></td><td></td><td></td><td></td><td></td><td>16</td><td></td><td></td><td></td><td>13</td><td>12</td><td>11</td><td>10</td><td>9</td><td>8</td><td></td><td></td><td></td><td></td><td></td><td></td><td></td><td></td></tr> </table>	72	71	70	69	68		66	65	64	63		61		59	58			56		54	53			52		50	49		47					42	41			38	37		36		34	33					73			32	31	30	29	28	27	26		24	23	22	21	20	19	18	17		1						16				13	12	11	10	9	8								
72	71	70	69	68		66	65	64	63		61		59	58			56		54	53																																																																														
52		50	49		47					42	41			38	37		36		34	33																																																																														
		73			32	31	30	29	28	27	26		24	23	22	21	20	19	18	17		1																																																																												
					16				13	12	11	10	9	8																																																																																				
AVAILABLE	NOT APPLICABLE	34566-2263	0	A	BLACK	<table border="1"> <tr><td></td><td></td><td></td><td>69</td><td></td><td></td><td></td><td></td><td></td><td>63</td><td></td><td></td><td></td><td></td><td></td><td>58</td><td></td><td>56</td><td>55</td><td>54</td><td>53</td><td></td><td></td></tr> <tr><td>52</td><td>51</td><td>50</td><td>49</td><td></td><td></td><td></td><td></td><td></td><td>44</td><td>43</td><td>42</td><td>41</td><td></td><td></td><td></td><td></td><td></td><td>36</td><td>35</td><td>34</td><td>33</td><td></td></tr> <tr><td></td><td></td><td>73</td><td></td><td></td><td></td><td>32</td><td></td><td></td><td>28</td><td></td><td></td><td></td><td></td><td></td><td></td><td></td><td></td><td></td><td>19</td><td>18</td><td></td><td></td></tr> <tr><td></td><td></td><td></td><td></td><td></td><td>16</td><td></td><td>14</td><td>12</td><td></td><td>10</td><td></td><td></td><td></td><td></td><td></td><td></td><td></td><td></td><td>3</td><td></td><td></td><td></td></tr> </table>				69						63						58		56	55	54	53			52	51	50	49						44	43	42	41						36	35	34	33				73				32			28										19	18								16		14	12		10									3			
			69						63						58		56	55	54	53																																																																														
52	51	50	49						44	43	42	41						36	35	34	33																																																																													
		73				32			28										19	18																																																																														
					16		14	12		10									3																																																																															
AVAILABLE	NOT APPLICABLE	34566-2273	0	A	BLACK	<table border="1"> <tr><td></td><td></td><td></td><td>69</td><td></td><td></td><td></td><td></td><td></td><td>63</td><td>62</td><td>61</td><td></td><td></td><td></td><td>58</td><td>57</td><td>56</td><td>55</td><td>54</td><td>53</td><td></td><td></td></tr> <tr><td>52</td><td>51</td><td>50</td><td>49</td><td></td><td></td><td></td><td></td><td></td><td>44</td><td>43</td><td>42</td><td>41</td><td></td><td></td><td></td><td></td><td></td><td>37</td><td>36</td><td>35</td><td>34</td><td>33</td></tr> <tr><td></td><td></td><td>73</td><td></td><td></td><td></td><td>32</td><td></td><td>29</td><td>28</td><td>27</td><td>26</td><td></td><td></td><td></td><td></td><td></td><td></td><td></td><td>19</td><td>18</td><td></td><td></td></tr> <tr><td></td><td></td><td></td><td></td><td></td><td>16</td><td></td><td>14</td><td>13</td><td>12</td><td>11</td><td>10</td><td></td><td></td><td></td><td></td><td></td><td></td><td></td><td>3</td><td></td><td></td><td></td></tr> </table>				69						63	62	61				58	57	56	55	54	53			52	51	50	49						44	43	42	41						37	36	35	34	33			73				32		29	28	27	26								19	18								16		14	13	12	11	10								3			
			69						63	62	61				58	57	56	55	54	53																																																																														
52	51	50	49						44	43	42	41						37	36	35	34	33																																																																												
		73				32		29	28	27	26								19	18																																																																														
					16		14	13	12	11	10								3																																																																															
AVAILABLE	NOT APPLICABLE	34566-2283	0	B	ST. GRY	<table border="1"> <tr><td></td><td></td><td></td><td></td><td>68</td><td>67</td><td>66</td><td>65</td><td>64</td><td>63</td><td></td><td></td><td></td><td></td><td></td><td></td><td></td><td></td><td></td><td>55</td><td></td><td></td><td></td></tr> <tr><td></td><td></td><td></td><td>49</td><td>48</td><td></td><td>46</td><td>45</td><td>44</td><td>43</td><td></td><td></td><td></td><td></td><td></td><td></td><td></td><td></td><td></td><td></td><td></td><td></td><td></td></tr> <tr><td></td><td></td><td>73</td><td></td><td></td><td></td><td>32</td><td></td><td>30</td><td>29</td><td>28</td><td>27</td><td></td><td></td><td></td><td></td><td></td><td></td><td></td><td></td><td></td><td></td><td>17</td></tr> <tr><td></td><td></td><td></td><td></td><td></td><td></td><td>16</td><td></td><td></td><td></td><td></td><td>10</td><td></td><td></td><td></td><td></td><td></td><td></td><td></td><td></td><td></td><td></td><td></td></tr> </table>					68	67	66	65	64	63										55							49	48		46	45	44	43																73				32		30	29	28	27											17							16					10											
				68	67	66	65	64	63										55																																																																															
			49	48		46	45	44	43																																																																																									
		73				32		30	29	28	27											17																																																																												
						16					10																																																																																							




THIS DRAWING CONTAINS INFORMATION THAT IS PROPRIETARY TO MOLEX ELECTRONIC TECHNOLOGIES, LLC AND SHOULD NOT BE USED WITHOUT WRITTEN PERMISSION

EC NO: 120093 DRWN: APODDATURI CHKD: REV/ APPR: VKOSHY	2017/07/13	GENERAL TOLERANCES (UNLESS SPECIFIED) ANGULAR TOL ± ° 4 PLACES ± 3 PLACES ± 2 PLACES ± 1 PLACE ± 0 PLACES ± DRAFT WHERE APPLICABLE MUST REMAIN WITHIN DIMENSIONS	DIMENSION UNITS	SCALE	  MX123 66/73/80CKT HRNS CONN ASSY  PRODUCT CUSTOMER DRAWING
	2017/08/08		MM	1:1	
			DRWN BY	DATE	
			SKRAJENDRANA	2011/02/14	
			CHKD BY	DATE	
	MVANSAMBROU	2011/02/14			
	APPR BY	DATE	DRAWING SIZE		THIRD ANGLE PROJECTION
G55	D				
SERIES		MATERIAL NUMBER	CUSTOMER		
34566		SEE BOM TABLE	GENERAL MARKET		
DOCUMENT NUMBER		DOC TYPE	DOC PART	SHEET NUMBER	
SD-34566-001		PSD	000	31 OF 98	

STATUS	GM PART #	MATERIAL #	WIRE DRESS OPTION	KEY OPTION ▽	COLOR (TPA) ▽	NUMBERS INDICATE CAVITIES OPEN FOR CIRCUITS ▽																																																																
AVAILABLE	NOT APPLICABLE	34566-2293	0	C	BLUE	<table border="1"> <tr><td>72</td><td>70</td><td>68</td><td>66</td><td>63</td><td>59</td><td>57</td><td>53</td></tr> <tr><td>52</td><td>51</td><td>48</td><td>47</td><td>46</td><td>44</td><td>42</td><td>40</td><td>39</td><td>34</td><td>33</td></tr> <tr><td colspan="2">73</td><td></td><td>30</td><td>26</td><td>25</td><td>22</td><td>21</td><td></td><td></td><td></td></tr> <tr><td></td><td></td><td>15</td><td>14</td><td>10</td><td>9</td><td>6</td><td></td><td></td><td></td><td></td></tr> </table>	72	70	68	66	63	59	57	53	52	51	48	47	46	44	42	40	39	34	33	73			30	26	25	22	21						15	14	10	9	6																											
72	70	68	66	63	59	57	53																																																															
52	51	48	47	46	44	42	40	39	34	33																																																												
73			30	26	25	22	21																																																															
		15	14	10	9	6																																																																
AVAILABLE	NOT APPLICABLE	34566-2313	0	C	BLUE	<table border="1"> <tr><td>72</td><td>70</td><td>66</td><td>63</td><td>59</td><td>57</td><td>53</td></tr> <tr><td>52</td><td>51</td><td>46</td><td>44</td><td>42</td><td>40</td><td>39</td><td>34</td><td>33</td></tr> <tr><td colspan="2">73</td><td></td><td>30</td><td>26</td><td>25</td><td>22</td><td>21</td><td></td><td></td></tr> <tr><td></td><td></td><td>15</td><td>14</td><td>10</td><td>9</td><td>6</td><td></td><td></td><td></td></tr> </table>	72	70	66	63	59	57	53	52	51	46	44	42	40	39	34	33	73			30	26	25	22	21					15	14	10	9	6																															
72	70	66	63	59	57	53																																																																
52	51	46	44	42	40	39	34	33																																																														
73			30	26	25	22	21																																																															
		15	14	10	9	6																																																																
AVAILABLE	NOT APPLICABLE	34566-2323	0	C	BLUE	<table border="1"> <tr><td>72</td><td>70</td><td>68</td><td>66</td><td>63</td><td>59</td><td>57</td><td>53</td></tr> <tr><td>52</td><td>51</td><td>48</td><td>47</td><td>46</td><td>44</td><td>42</td><td>40</td><td>39</td><td>34</td><td>33</td></tr> <tr><td colspan="2">73</td><td></td><td>30</td><td>26</td><td>25</td><td>22</td><td>21</td><td>20</td><td></td><td></td></tr> <tr><td></td><td></td><td>15</td><td>14</td><td>10</td><td>9</td><td>6</td><td>5</td><td>4</td><td></td><td></td></tr> </table>	72	70	68	66	63	59	57	53	52	51	48	47	46	44	42	40	39	34	33	73			30	26	25	22	21	20					15	14	10	9	6	5	4																									
72	70	68	66	63	59	57	53																																																															
52	51	48	47	46	44	42	40	39	34	33																																																												
73			30	26	25	22	21	20																																																														
		15	14	10	9	6	5	4																																																														
AVAILABLE	NOT APPLICABLE	34566-2333	0	A	BLACK	<table border="1"> <tr><td>71</td><td>69</td><td>68</td><td>65</td><td>64</td><td>63</td><td>61</td><td>59</td><td>57</td><td>56</td><td>53</td></tr> <tr><td>52</td><td>50</td><td>49</td><td>47</td><td></td><td></td><td>41</td><td>39</td><td>38</td><td>37</td><td>36</td><td>34</td><td>33</td></tr> <tr><td colspan="2">73</td><td>32</td><td>31</td><td>30</td><td>29</td><td>28</td><td>27</td><td>24</td><td>23</td><td>22</td><td>20</td><td>19</td><td>18</td><td>1</td></tr> <tr><td></td><td></td><td>16</td><td></td><td></td><td>13</td><td>12</td><td>11</td><td>10</td><td>9</td><td></td><td></td><td></td><td></td><td></td></tr> </table>	71	69	68	65	64	63	61	59	57	56	53	52	50	49	47			41	39	38	37	36	34	33	73		32	31	30	29	28	27	24	23	22	20	19	18	1			16			13	12	11	10	9															
71	69	68	65	64	63	61	59	57	56	53																																																												
52	50	49	47			41	39	38	37	36	34	33																																																										
73		32	31	30	29	28	27	24	23	22	20	19	18	1																																																								
		16			13	12	11	10	9																																																													
AVAILABLE	NOT APPLICABLE	34566-2343	0	A	BLACK	<table border="1"> <tr><td>72</td><td>70</td><td>68</td><td>67</td><td>66</td><td>65</td><td>58</td><td>57</td><td>55</td><td></td><td></td></tr> <tr><td></td><td></td><td>49</td><td>47</td><td></td><td>44</td><td>43</td><td>42</td><td>41</td><td>39</td><td>37</td><td>35</td><td></td><td></td></tr> <tr><td colspan="2">73</td><td>32</td><td>30</td><td></td><td>27</td><td>25</td><td>24</td><td></td><td></td><td>21</td><td>20</td><td>19</td><td>18</td><td>17</td></tr> <tr><td></td><td></td><td>15</td><td>14</td><td>13</td><td></td><td>9</td><td>8</td><td></td><td></td><td>6</td><td>5</td><td>3</td><td></td><td>1</td></tr> </table>	72	70	68	67	66	65	58	57	55					49	47		44	43	42	41	39	37	35			73		32	30		27	25	24			21	20	19	18	17			15	14	13		9	8			6	5	3		1									
72	70	68	67	66	65	58	57	55																																																														
		49	47		44	43	42	41	39	37	35																																																											
73		32	30		27	25	24			21	20	19	18	17																																																								
		15	14	13		9	8			6	5	3		1																																																								
AVAILABLE	NOT APPLICABLE	34566-2353	0	A	BLACK	<table border="1"> <tr><td>72</td><td>70</td><td>67</td><td>66</td><td>65</td><td>58</td><td>57</td><td>55</td><td></td><td></td></tr> <tr><td></td><td></td><td>49</td><td>47</td><td></td><td>44</td><td>43</td><td>42</td><td>41</td><td>39</td><td>37</td><td>35</td><td></td><td></td></tr> <tr><td colspan="2">73</td><td>32</td><td>30</td><td></td><td>27</td><td>25</td><td>24</td><td></td><td></td><td>21</td><td>20</td><td>19</td><td>18</td><td>17</td></tr> <tr><td></td><td></td><td>15</td><td>14</td><td>13</td><td></td><td>9</td><td>8</td><td></td><td></td><td>6</td><td>5</td><td>3</td><td></td><td>1</td></tr> </table>	72	70	67	66	65	58	57	55					49	47		44	43	42	41	39	37	35			73		32	30		27	25	24			21	20	19	18	17			15	14	13		9	8			6	5	3		1										
72	70	67	66	65	58	57	55																																																															
		49	47		44	43	42	41	39	37	35																																																											
73		32	30		27	25	24			21	20	19	18	17																																																								
		15	14	13		9	8			6	5	3		1																																																								
AVAILABLE	NOT APPLICABLE	34566-2363	0	C	BLUE	<table border="1"> <tr><td>72</td><td>70</td><td>67</td><td>66</td><td>63</td><td>62</td><td>59</td><td>57</td><td>53</td></tr> <tr><td>52</td><td>51</td><td></td><td>46</td><td>44</td><td>42</td><td>40</td><td>39</td><td>38</td><td>34</td><td>33</td></tr> <tr><td colspan="2">73</td><td>32</td><td>30</td><td></td><td>27</td><td>26</td><td>25</td><td>22</td><td>21</td><td>20</td><td></td><td></td><td></td></tr> <tr><td></td><td></td><td>15</td><td>14</td><td></td><td>10</td><td>9</td><td></td><td>6</td><td>5</td><td>4</td><td></td><td></td><td></td></tr> </table>	72	70	67	66	63	62	59	57	53	52	51		46	44	42	40	39	38	34	33	73		32	30		27	26	25	22	21	20						15	14		10	9		6	5	4																			
72	70	67	66	63	62	59	57	53																																																														
52	51		46	44	42	40	39	38	34	33																																																												
73		32	30		27	26	25	22	21	20																																																												
		15	14		10	9		6	5	4																																																												
AVAILABLE	NOT APPLICABLE	34566-2373	0	B	ST GRAY	<table border="1"> <tr><td>68</td><td>67</td><td>66</td><td>65</td><td>64</td><td>61</td><td>60</td><td>59</td><td>58</td><td>57</td><td>55</td><td>54</td><td>53</td></tr> <tr><td>51</td><td>50</td><td>49</td><td>48</td><td>47</td><td>46</td><td>45</td><td>43</td><td>42</td><td>41</td><td>40</td><td>39</td><td>38</td><td>37</td><td>35</td><td>34</td><td>33</td></tr> <tr><td colspan="2">73</td><td>32</td><td>31</td><td>30</td><td></td><td></td><td>26</td><td>24</td><td>23</td><td>22</td><td>21</td><td>20</td><td></td><td></td><td></td><td></td></tr> <tr><td></td><td></td><td>16</td><td>15</td><td>14</td><td>13</td><td></td><td>10</td><td>9</td><td>8</td><td>7</td><td>6</td><td>5</td><td>4</td><td>3</td><td>2</td><td></td></tr> </table>	68	67	66	65	64	61	60	59	58	57	55	54	53	51	50	49	48	47	46	45	43	42	41	40	39	38	37	35	34	33	73		32	31	30			26	24	23	22	21	20							16	15	14	13		10	9	8	7	6	5	4	3	2	
68	67	66	65	64	61	60	59	58	57	55	54	53																																																										
51	50	49	48	47	46	45	43	42	41	40	39	38	37	35	34	33																																																						
73		32	31	30			26	24	23	22	21	20																																																										
		16	15	14	13		10	9	8	7	6	5	4	3	2																																																							
AVAILABLE	NOT APPLICABLE	34566-2383	0	B	ST GRAY	<table border="1"> <tr><td>65</td><td>59</td><td>57</td><td>55</td><td>53</td></tr> <tr><td></td><td>50</td><td>49</td><td>48</td><td>46</td><td></td><td></td><td></td><td></td><td></td><td></td><td></td><td></td><td></td><td></td><td></td><td></td></tr> <tr><td colspan="2">73</td><td></td><td></td><td>29</td><td></td><td></td><td>24</td><td>23</td><td>21</td><td></td><td></td><td></td><td></td><td></td><td></td><td></td></tr> <tr><td></td><td></td><td>15</td><td></td><td></td><td></td><td></td><td></td><td>7</td><td>6</td><td>5</td><td>4</td><td>3</td><td></td><td></td><td></td><td></td></tr> </table>	65	59	57	55	53		50	49	48	46													73				29			24	23	21										15						7	6	5	4	3												
65	59	57	55	53																																																																		
	50	49	48	46																																																																		
73				29			24	23	21																																																													
		15						7	6	5	4	3																																																										

PRE-RELEASE  
REFERENCE  
USE ONLY

THIS DRAWING CONTAINS INFORMATION THAT IS PROPRIETARY TO MOLEX ELECTRONIC TECHNOLOGIES, LLC AND SHOULD NOT BE USED WITHOUT WRITTEN PERMISSION												
EC NO: 120083 DRWN: APODDATURI CHKD: REV APPR: VKOSHY	2017/07/13	GENERAL TOLERANCES (UNLESS SPECIFIED)		DIMENSION UNITS	SCALE	 MX123 66/73/80CKT HRNS CONN ASSY PRODUCT CUSTOMER DRAWING						
	2017/08/08	ANGULAR TOL ± °		MM	1:1							
		4 PLACES ±	SKRAJENDRANA		DATE							2011/02/14
		3 PLACES ±	CHKD BY		DATE							
		2 PLACES ±	MVANSLAMBROU		DATE							2011/02/14
		1 PLACE ±	APPR BY		DATE							
	0 PLACES ±	DRAFT WHERE APPLICABLE MUST REMAIN WITHIN DIMENSIONS		DRAWING SIZE	THIRD ANGLE PROJECTION	SERIES: 34566 MATERIAL NUMBER: SEE BOM TABLE CUSTOMER: GENERAL MARKET						
G55		D				DOCUMENT NUMBER: SD-34566-001		DOC TYPE: PSD	DOC PART: 000	SHEET NUMBER: 32 OF 98		



STATUS	GM PART #	MATERIAL #	WIRE DRESS OPTION	KEY OPTION Fp	COLOR (TPA) Fp	NUMBERS INDICATE CAVITIES OPEN FOR CIRCUITS																																																																																																																			
AVAILABLE	NOT APPLICABLE	34566-2483	0	A	BLACK	<table border="1"> <tr><td></td><td></td><td></td><td>69</td><td></td><td></td><td></td><td></td><td></td><td></td><td>63</td><td>62</td><td>61</td><td></td><td></td><td>58</td><td>57</td><td>56</td><td>55</td><td>54</td><td>53</td></tr> <tr><td>52</td><td>51</td><td></td><td>49</td><td></td><td></td><td></td><td></td><td></td><td>44</td><td>43</td><td>42</td><td>41</td><td></td><td></td><td></td><td>37</td><td>36</td><td>35</td><td>34</td><td>33</td></tr> <tr><td colspan="3">73</td><td>32</td><td></td><td></td><td>29</td><td>28</td><td>27</td><td>26</td><td></td><td></td><td>23</td><td></td><td></td><td></td><td>19</td><td>18</td><td></td><td></td></tr> <tr><td colspan="3">73</td><td>16</td><td></td><td></td><td>13</td><td>12</td><td>11</td><td>10</td><td></td><td>8</td><td></td><td></td><td></td><td></td><td>3</td><td></td><td></td><td></td></tr> </table>																																			69							63	62	61			58	57	56	55	54	53	52	51		49						44	43	42	41				37	36	35	34	33	73			32			29	28	27	26			23				19	18			73			16			13	12	11	10		8					3					
			69							63	62	61			58	57	56	55	54	53																																																																																																					
52	51		49						44	43	42	41				37	36	35	34	33																																																																																																					
73			32			29	28	27	26			23				19	18																																																																																																								
73			16			13	12	11	10		8					3																																																																																																									
AVAILABLE	NOT APPLICABLE	34566-2493 SAME AS P/N 34566-3863	0	B	ST GRY	<table border="1"> <tr><td>72</td><td>71</td><td>70</td><td></td><td>68</td><td>67</td><td>66</td><td></td><td></td><td></td><td>62</td><td>61</td><td>60</td><td>59</td><td>58</td><td>57</td><td>56</td><td>55</td><td>54</td><td>53</td></tr> <tr><td>52</td><td>51</td><td>50</td><td></td><td>48</td><td>47</td><td>46</td><td></td><td></td><td></td><td>42</td><td>41</td><td>40</td><td>39</td><td>38</td><td>37</td><td>36</td><td>35</td><td>34</td><td>33</td></tr> <tr><td colspan="3">73</td><td>32</td><td>31</td><td>30</td><td>29</td><td>28</td><td>27</td><td>26</td><td>25</td><td>24</td><td></td><td></td><td></td><td></td><td></td><td></td><td></td><td>17</td></tr> <tr><td colspan="3">73</td><td>16</td><td>15</td><td>14</td><td>13</td><td></td><td></td><td></td><td>10</td><td>8</td><td></td><td></td><td></td><td></td><td></td><td></td><td>2</td><td>1</td></tr> </table>																																72	71	70		68	67	66				62	61	60	59	58	57	56	55	54	53	52	51	50		48	47	46				42	41	40	39	38	37	36	35	34	33	73			32	31	30	29	28	27	26	25	24								17	73			16	15	14	13				10	8							2	1				
72	71	70		68	67	66				62	61	60	59	58	57	56	55	54	53																																																																																																						
52	51	50		48	47	46				42	41	40	39	38	37	36	35	34	33																																																																																																						
73			32	31	30	29	28	27	26	25	24								17																																																																																																						
73			16	15	14	13				10	8							2	1																																																																																																						
AVAILABLE	NOT APPLICABLE	34566-2513	0	C	BLUE	<table border="1"> <tr><td>72</td><td></td><td>70</td><td></td><td>68</td><td>67</td><td>66</td><td></td><td></td><td>63</td><td>62</td><td></td><td></td><td>59</td><td></td><td>57</td><td></td><td></td><td></td><td>53</td></tr> <tr><td>52</td><td>51</td><td></td><td></td><td>48</td><td>47</td><td>46</td><td></td><td>44</td><td></td><td>42</td><td></td><td>40</td><td>39</td><td></td><td></td><td></td><td></td><td></td><td>34</td><td>33</td></tr> <tr><td colspan="3">73</td><td>32</td><td></td><td>30</td><td></td><td></td><td>27</td><td>26</td><td>25</td><td></td><td></td><td></td><td></td><td>22</td><td>21</td><td>20</td><td></td><td></td></tr> <tr><td colspan="3">73</td><td></td><td>15</td><td>14</td><td></td><td></td><td></td><td>10</td><td>9</td><td></td><td></td><td></td><td>6</td><td>5</td><td>4</td><td></td><td></td><td></td></tr> </table>																																72		70		68	67	66			63	62			59		57				53	52	51			48	47	46		44		42		40	39						34	33	73			32		30			27	26	25					22	21	20			73				15	14				10	9				6	5	4						
72		70		68	67	66			63	62			59		57				53																																																																																																						
52	51			48	47	46		44		42		40	39						34	33																																																																																																					
73			32		30			27	26	25					22	21	20																																																																																																								
73				15	14				10	9				6	5	4																																																																																																									
AVAILABLE	NOT APPLICABLE	34566-2523	0	A	BLACK	<table border="1"> <tr><td>72</td><td>71</td><td>70</td><td>69</td><td>68</td><td>67</td><td>66</td><td>65</td><td>64</td><td>63</td><td>62</td><td></td><td>60</td><td>59</td><td></td><td></td><td></td><td></td><td>55</td><td>54</td><td>53</td></tr> <tr><td>52</td><td></td><td></td><td>49</td><td>48</td><td></td><td></td><td>45</td><td>44</td><td>43</td><td>42</td><td>41</td><td>40</td><td>39</td><td></td><td></td><td></td><td></td><td>35</td><td>34</td><td>33</td></tr> <tr><td colspan="3">73</td><td>32</td><td></td><td></td><td>29</td><td>28</td><td>27</td><td></td><td>25</td><td>24</td><td>23</td><td></td><td></td><td></td><td></td><td></td><td>19</td><td>18</td><td>17</td></tr> <tr><td colspan="3">73</td><td>16</td><td></td><td></td><td>13</td><td>12</td><td>11</td><td></td><td>9</td><td>8</td><td>7</td><td>6</td><td>5</td><td>4</td><td>3</td><td>2</td><td>1</td><td></td><td></td></tr> </table>																																72	71	70	69	68	67	66	65	64	63	62		60	59					55	54	53	52			49	48			45	44	43	42	41	40	39					35	34	33	73			32			29	28	27		25	24	23						19	18	17	73			16			13	12	11		9	8	7	6	5	4	3	2	1		
72	71	70	69	68	67	66	65	64	63	62		60	59					55	54	53																																																																																																					
52			49	48			45	44	43	42	41	40	39					35	34	33																																																																																																					
73			32			29	28	27		25	24	23						19	18	17																																																																																																					
73			16			13	12	11		9	8	7	6	5	4	3	2	1																																																																																																							
AVAILABLE	NOT APPLICABLE	34566-2533	0	B	ST GRY	<table border="1"> <tr><td></td><td></td><td></td><td></td><td></td><td>67</td><td>66</td><td>65</td><td>63</td><td></td><td></td><td></td><td></td><td>59</td><td>58</td><td>57</td><td>56</td><td>55</td><td></td><td>53</td></tr> <tr><td></td><td></td><td>50</td><td>49</td><td>48</td><td></td><td>46</td><td>45</td><td>43</td><td></td><td></td><td></td><td></td><td>39</td><td>38</td><td>37</td><td>36</td><td>35</td><td>34</td><td>33</td></tr> <tr><td colspan="3">73</td><td></td><td></td><td></td><td>29</td><td>27</td><td></td><td></td><td></td><td></td><td></td><td>23</td><td>22</td><td>21</td><td></td><td></td><td></td><td>18</td></tr> <tr><td colspan="3">73</td><td>16</td><td>15</td><td>14</td><td>13</td><td></td><td></td><td></td><td>8</td><td>7</td><td>6</td><td>5</td><td>4</td><td>3</td><td></td><td></td><td></td><td></td></tr> </table>																																					67	66	65	63					59	58	57	56	55		53			50	49	48		46	45	43					39	38	37	36	35	34	33	73						29	27						23	22	21				18	73			16	15	14	13				8	7	6	5	4	3								
					67	66	65	63					59	58	57	56	55		53																																																																																																						
		50	49	48		46	45	43					39	38	37	36	35	34	33																																																																																																						
73						29	27						23	22	21				18																																																																																																						
73			16	15	14	13				8	7	6	5	4	3																																																																																																										
AVAILABLE	NOT APPLICABLE	34566-2543	0	C	BLUE	<table border="1"> <tr><td>72</td><td></td><td>70</td><td></td><td></td><td>66</td><td></td><td></td><td>63</td><td></td><td></td><td></td><td>59</td><td></td><td>57</td><td></td><td></td><td></td><td></td><td>53</td></tr> <tr><td>52</td><td>51</td><td></td><td></td><td></td><td>46</td><td></td><td>44</td><td></td><td>42</td><td></td><td>40</td><td>39</td><td></td><td></td><td></td><td></td><td></td><td></td><td>34</td><td>33</td></tr> <tr><td colspan="3">73</td><td>32</td><td></td><td>30</td><td></td><td></td><td>27</td><td>26</td><td>25</td><td></td><td></td><td></td><td></td><td>22</td><td>21</td><td></td><td></td><td></td></tr> <tr><td colspan="3">73</td><td></td><td>15</td><td>14</td><td></td><td></td><td></td><td>10</td><td>9</td><td></td><td></td><td></td><td>6</td><td></td><td></td><td></td><td></td><td></td></tr> </table>																																72		70			66			63				59		57					53	52	51				46		44		42		40	39							34	33	73			32		30			27	26	25					22	21				73				15	14				10	9				6								
72		70			66			63				59		57					53																																																																																																						
52	51				46		44		42		40	39							34	33																																																																																																					
73			32		30			27	26	25					22	21																																																																																																									
73				15	14				10	9				6																																																																																																											
AVAILABLE	NOT APPLICABLE	34566-2553	9	B	ST GRY	<table border="1"> <tr><td>72</td><td>71</td><td>70</td><td></td><td>68</td><td>67</td><td>66</td><td></td><td></td><td></td><td>62</td><td>61</td><td>60</td><td>59</td><td>58</td><td>57</td><td>56</td><td>55</td><td>54</td><td>53</td></tr> <tr><td>52</td><td>51</td><td>50</td><td></td><td>48</td><td>47</td><td>46</td><td></td><td></td><td></td><td>42</td><td>41</td><td>40</td><td>39</td><td>38</td><td>37</td><td>36</td><td>35</td><td>34</td><td>33</td></tr> <tr><td colspan="3">73</td><td>32</td><td>31</td><td>30</td><td>29</td><td>28</td><td>27</td><td>26</td><td>25</td><td>24</td><td>23</td><td></td><td></td><td></td><td></td><td></td><td></td><td></td></tr> <tr><td colspan="3">73</td><td>16</td><td>15</td><td>14</td><td>13</td><td></td><td></td><td></td><td>10</td><td>9</td><td>8</td><td></td><td></td><td></td><td></td><td></td><td></td><td></td></tr> </table>																																72	71	70		68	67	66				62	61	60	59	58	57	56	55	54	53	52	51	50		48	47	46				42	41	40	39	38	37	36	35	34	33	73			32	31	30	29	28	27	26	25	24	23								73			16	15	14	13				10	9	8											
72	71	70		68	67	66				62	61	60	59	58	57	56	55	54	53																																																																																																						
52	51	50		48	47	46				42	41	40	39	38	37	36	35	34	33																																																																																																						
73			32	31	30	29	28	27	26	25	24	23																																																																																																													
73			16	15	14	13				10	9	8																																																																																																													
AVAILABLE	NOT APPLICABLE	34566-2563	9	A	BLACK	<table border="1"> <tr><td></td><td></td><td></td><td>69</td><td></td><td></td><td></td><td></td><td></td><td></td><td>63</td><td>62</td><td>61</td><td></td><td></td><td>58</td><td>57</td><td>56</td><td>55</td><td>54</td><td>53</td></tr> <tr><td>52</td><td>51</td><td>50</td><td>49</td><td></td><td></td><td></td><td></td><td>44</td><td>43</td><td>42</td><td>41</td><td></td><td></td><td></td><td>37</td><td>36</td><td>35</td><td>34</td><td>33</td></tr> <tr><td colspan="3">73</td><td>32</td><td></td><td></td><td>29</td><td>28</td><td>27</td><td>26</td><td></td><td></td><td></td><td></td><td></td><td></td><td></td><td>19</td><td>18</td><td></td></tr> <tr><td colspan="3">73</td><td>16</td><td></td><td></td><td>14</td><td>13</td><td>12</td><td>11</td><td>10</td><td></td><td></td><td></td><td></td><td></td><td></td><td>3</td><td></td><td></td></tr> </table>																																			69							63	62	61			58	57	56	55	54	53	52	51	50	49					44	43	42	41				37	36	35	34	33	73			32			29	28	27	26								19	18		73			16			14	13	12	11	10							3					
			69							63	62	61			58	57	56	55	54	53																																																																																																					
52	51	50	49					44	43	42	41				37	36	35	34	33																																																																																																						
73			32			29	28	27	26								19	18																																																																																																							
73			16			14	13	12	11	10							3																																																																																																								
AVAILABLE	NOT APPLICABLE	34566-2573	9	C	BLUE	<table border="1"> <tr><td>72</td><td></td><td>70</td><td></td><td></td><td>67</td><td>66</td><td></td><td></td><td>63</td><td>62</td><td></td><td></td><td>59</td><td></td><td>57</td><td></td><td></td><td></td><td>53</td></tr> <tr><td>52</td><td>51</td><td></td><td></td><td></td><td>46</td><td></td><td>44</td><td></td><td>42</td><td></td><td>40</td><td>39</td><td></td><td></td><td></td><td></td><td></td><td></td><td>34</td><td>33</td></tr> <tr><td colspan="3">73</td><td></td><td></td><td>30</td><td></td><td></td><td></td><td>26</td><td>25</td><td></td><td></td><td></td><td></td><td>22</td><td>21</td><td>20</td><td></td><td></td></tr> <tr><td colspan="3">73</td><td></td><td>15</td><td>14</td><td></td><td></td><td></td><td>10</td><td>9</td><td></td><td></td><td></td><td>6</td><td>5</td><td>4</td><td></td><td></td><td></td></tr> </table>																																72		70			67	66			63	62			59		57				53	52	51				46		44		42		40	39							34	33	73					30				26	25					22	21	20			73				15	14				10	9				6	5	4						
72		70			67	66			63	62			59		57				53																																																																																																						
52	51				46		44		42		40	39							34	33																																																																																																					
73					30				26	25					22	21	20																																																																																																								
73				15	14				10	9				6	5	4																																																																																																									

PRE-RELEASE REFERENCE USE ONLY

THIS DRAWING CONTAINS INFORMATION THAT IS PROPRIETARY TO MOLEX ELECTRONIC TECHNOLOGIES, LLC AND SHOULD NOT BE USED WITHOUT WRITTEN PERMISSION

EC NO: 120093 DRWN: APODDATURI CHKD: REV APPR: VKOSHY	2017/07/13	GENERAL TOLERANCES (UNLESS SPECIFIED)	DIMENSION UNITS	SCALE		
	2017/08/08	ANGULAR TOL ± °	MM	1:1		
		4 PLACES ±	DRWN BY	DATE		MX123 66/73/80CKT HRNS CONN ASSY
		3 PLACES ±	SKRAJENDRANA	2011/02/14		
		2 PLACES ±	CHKD BY	DATE		
		1 PLACE ±	MVANSLAMBROU	2011/02/14		PRODUCT CUSTOMER DRAWING
	0 PLACES ±	APPR BY	DATE			
<b>G55</b>		DRAFT WHERE APPLICABLE MUST REMAIN WITHIN DIMENSIONS	DRAWING SIZE	THIRD ANGLE PROJECTION	SERIES: 34566 MATERIAL NUMBER: SEE BOM TABLE CUSTOMER: GENERAL MARKET	
			D		DOCUMENT NUMBER: SD-34566-001 DOC TYPE: PSD DOC PART: 000 SHEET NUMBER: 34 OF 98	



STATUS	GM PART #	MATERIAL #	WIRE DRESS OPTION	KEY OPTION	COLOR (TPA)	NUMBERS INDICATE CAVITIES OPEN FOR CIRCUITS																																																																				
AVAILABLE	NOT APPLICABLE	34566-2683	0	H	ST GRY	<table border="1"> <tr><td>78</td><td>72</td><td>71</td><td>70</td><td>69</td><td>68</td><td>67</td><td>66</td><td>65</td><td>64</td><td>63</td><td>61</td></tr> <tr><td>60</td><td>59</td><td>58</td><td>57</td><td>56</td><td>53</td><td>52</td><td>51</td><td>50</td><td>48</td><td>47</td><td>44</td><td>43</td><td>41</td></tr> <tr><td>40</td><td>37</td><td>35</td><td>34</td><td>32</td><td>30</td><td>29</td><td>27</td><td>26</td><td>22</td><td>21</td><td></td><td></td><td></td></tr> <tr><td>20</td><td>19</td><td>18</td><td>17</td><td>16</td><td>13</td><td>12</td><td>8</td><td>7</td><td>6</td><td>5</td><td>4</td><td>3</td><td>2</td><td>1</td></tr> </table>	78	72	71	70	69	68	67	66	65	64	63	61	60	59	58	57	56	53	52	51	50	48	47	44	43	41	40	37	35	34	32	30	29	27	26	22	21				20	19	18	17	16	13	12	8	7	6	5	4	3	2	1													
78	72	71	70	69	68	67	66	65	64	63	61																																																															
60	59	58	57	56	53	52	51	50	48	47	44	43	41																																																													
40	37	35	34	32	30	29	27	26	22	21																																																																
20	19	18	17	16	13	12	8	7	6	5	4	3	2	1																																																												
AVAILABLE	NOT APPLICABLE	34566-2693	0	B	ST GRY	<table border="1"> <tr><td>71</td><td>70</td><td>68</td><td>66</td><td>65</td><td>60</td><td>59</td><td>58</td><td>57</td><td>54</td><td>53</td></tr> <tr><td>51</td><td>50</td><td>49</td><td>48</td><td>46</td><td>45</td><td>43</td><td>42</td><td>41</td><td>40</td><td>39</td><td>38</td><td>37</td><td>36</td><td>35</td><td>33</td></tr> <tr><td>73</td><td>32</td><td>31</td><td>30</td><td>24</td><td>23</td><td>22</td><td>20</td><td></td><td></td><td></td><td></td><td></td><td></td><td></td><td></td></tr> <tr><td>16</td><td>15</td><td>13</td><td>12</td><td>11</td><td>10</td><td>9</td><td>8</td><td>7</td><td>6</td><td>5</td><td>4</td><td></td><td></td><td></td><td></td></tr> </table>	71	70	68	66	65	60	59	58	57	54	53	51	50	49	48	46	45	43	42	41	40	39	38	37	36	35	33	73	32	31	30	24	23	22	20									16	15	13	12	11	10	9	8	7	6	5	4													
71	70	68	66	65	60	59	58	57	54	53																																																																
51	50	49	48	46	45	43	42	41	40	39	38	37	36	35	33																																																											
73	32	31	30	24	23	22	20																																																																			
16	15	13	12	11	10	9	8	7	6	5	4																																																															
AVAILABLE	NOT APPLICABLE	34566-2713	0	A	BLACK	<table border="1"> <tr><td>69</td><td>68</td><td>65</td><td>64</td><td>63</td><td>61</td><td>60</td><td>59</td><td>58</td><td>56</td><td>34</td><td>33</td></tr> <tr><td>52</td><td>50</td><td>49</td><td>47</td><td></td><td>41</td><td>40</td><td>39</td><td>38</td><td>37</td><td>36</td><td></td><td></td><td></td><td></td><td></td></tr> <tr><td>73</td><td>32</td><td>31</td><td>30</td><td>29</td><td>28</td><td>27</td><td>25</td><td>24</td><td>23</td><td>20</td><td>19</td><td>18</td><td>17</td><td></td><td>1</td></tr> <tr><td>16</td><td></td><td></td><td>13</td><td>12</td><td>11</td><td>10</td><td>9</td><td></td><td></td><td></td><td></td><td></td><td></td><td></td><td></td></tr> </table>	69	68	65	64	63	61	60	59	58	56	34	33	52	50	49	47		41	40	39	38	37	36						73	32	31	30	29	28	27	25	24	23	20	19	18	17		1	16			13	12	11	10	9																
69	68	65	64	63	61	60	59	58	56	34	33																																																															
52	50	49	47		41	40	39	38	37	36																																																																
73	32	31	30	29	28	27	25	24	23	20	19	18	17		1																																																											
16			13	12	11	10	9																																																																			
AVAILABLE	NOT APPLICABLE	34566-2723	0	B	ST GRY	<table border="1"> <tr><td>71</td><td>70</td><td>68</td><td>66</td><td>65</td><td>64</td><td>63</td><td>60</td><td>59</td><td>58</td><td>57</td><td>56</td><td>55</td><td>54</td><td>53</td></tr> <tr><td>51</td><td>50</td><td>49</td><td>48</td><td>46</td><td>45</td><td>43</td><td>42</td><td>41</td><td>40</td><td>39</td><td>38</td><td>37</td><td>36</td><td>35</td><td>33</td></tr> <tr><td>73</td><td>32</td><td>31</td><td>30</td><td>24</td><td>23</td><td>22</td><td>20</td><td>19</td><td></td><td></td><td></td><td></td><td></td><td></td><td></td></tr> <tr><td>16</td><td>15</td><td>13</td><td>12</td><td>11</td><td>10</td><td>9</td><td>8</td><td>7</td><td>6</td><td>5</td><td>4</td><td>3</td><td>2</td><td></td><td></td></tr> </table>	71	70	68	66	65	64	63	60	59	58	57	56	55	54	53	51	50	49	48	46	45	43	42	41	40	39	38	37	36	35	33	73	32	31	30	24	23	22	20	19								16	15	13	12	11	10	9	8	7	6	5	4	3	2							
71	70	68	66	65	64	63	60	59	58	57	56	55	54	53																																																												
51	50	49	48	46	45	43	42	41	40	39	38	37	36	35	33																																																											
73	32	31	30	24	23	22	20	19																																																																		
16	15	13	12	11	10	9	8	7	6	5	4	3	2																																																													
AVAILABLE	NOT APPLICABLE	34566-2733	0	A	BLACK	<table border="1"> <tr><td>70</td><td>68</td><td>67</td><td>66</td><td>65</td><td>58</td><td>57</td><td>55</td><td></td><td></td><td></td><td></td><td></td><td></td><td></td><td></td></tr> <tr><td>49</td><td>47</td><td>44</td><td>43</td><td>42</td><td>41</td><td>39</td><td>37</td><td></td><td></td><td></td><td></td><td></td><td></td><td></td><td></td></tr> <tr><td>73</td><td>32</td><td>30</td><td>27</td><td>25</td><td>24</td><td>23</td><td>21</td><td>20</td><td>19</td><td>18</td><td>17</td><td></td><td></td><td></td><td></td></tr> <tr><td>16</td><td>15</td><td>13</td><td>10</td><td>9</td><td>8</td><td>6</td><td>5</td><td>3</td><td>2</td><td>1</td><td></td><td></td><td></td><td></td><td></td></tr> </table>	70	68	67	66	65	58	57	55									49	47	44	43	42	41	39	37									73	32	30	27	25	24	23	21	20	19	18	17					16	15	13	10	9	8	6	5	3	2	1									
70	68	67	66	65	58	57	55																																																																			
49	47	44	43	42	41	39	37																																																																			
73	32	30	27	25	24	23	21	20	19	18	17																																																															
16	15	13	10	9	8	6	5	3	2	1																																																																
AVAILABLE	NOT APPLICABLE	34566-2743	0	C	BLUE	<table border="1"> <tr><td>72</td><td>70</td><td>67</td><td>66</td><td>63</td><td>62</td><td>59</td><td>57</td><td></td><td></td><td></td><td></td><td></td><td>53</td></tr> <tr><td>52</td><td>51</td><td></td><td>46</td><td>44</td><td>42</td><td>40</td><td>39</td><td></td><td></td><td></td><td></td><td></td><td>34</td><td>33</td></tr> <tr><td>73</td><td>32</td><td>30</td><td>26</td><td>25</td><td>22</td><td>21</td><td>20</td><td></td><td></td><td></td><td></td><td></td><td></td><td></td><td></td></tr> <tr><td>15</td><td>14</td><td>10</td><td>9</td><td>6</td><td>5</td><td>4</td><td></td><td></td><td></td><td></td><td></td><td></td><td></td><td></td><td></td></tr> </table>	72	70	67	66	63	62	59	57						53	52	51		46	44	42	40	39						34	33	73	32	30	26	25	22	21	20									15	14	10	9	6	5	4																
72	70	67	66	63	62	59	57						53																																																													
52	51		46	44	42	40	39						34	33																																																												
73	32	30	26	25	22	21	20																																																																			
15	14	10	9	6	5	4																																																																				
AVAILABLE	NOT APPLICABLE	34566-2753	0	A	BLACK	<table border="1"> <tr><td>63</td><td>62</td><td>61</td><td>58</td><td>57</td><td>56</td><td>55</td><td>54</td><td>53</td><td></td><td></td><td></td><td></td><td></td><td></td><td></td></tr> <tr><td>52</td><td>51</td><td>49</td><td>44</td><td>43</td><td>42</td><td>41</td><td>37</td><td>36</td><td>35</td><td>34</td><td>33</td><td></td><td></td><td></td><td></td></tr> <tr><td>73</td><td>32</td><td>29</td><td>28</td><td>27</td><td>26</td><td></td><td></td><td></td><td></td><td>19</td><td>18</td><td></td><td></td><td></td><td></td></tr> <tr><td>16</td><td>15</td><td>13</td><td>12</td><td>11</td><td>10</td><td></td><td></td><td></td><td></td><td>3</td><td></td><td></td><td></td><td></td><td></td></tr> </table>	63	62	61	58	57	56	55	54	53								52	51	49	44	43	42	41	37	36	35	34	33					73	32	29	28	27	26					19	18					16	15	13	12	11	10					3									
63	62	61	58	57	56	55	54	53																																																																		
52	51	49	44	43	42	41	37	36	35	34	33																																																															
73	32	29	28	27	26					19	18																																																															
16	15	13	12	11	10					3																																																																
AVAILABLE	NOT APPLICABLE	34566-2763	0	B	ST GRY	<table border="1"> <tr><td>72</td><td>71</td><td>70</td><td>68</td><td>67</td><td>66</td><td>62</td><td>61</td><td>60</td><td>59</td><td>58</td><td>57</td><td>56</td><td>55</td><td>54</td><td>53</td></tr> <tr><td>52</td><td>51</td><td>50</td><td>48</td><td>47</td><td>46</td><td>42</td><td>41</td><td>40</td><td>39</td><td>38</td><td>37</td><td>36</td><td>35</td><td>34</td><td>33</td></tr> <tr><td>73</td><td>32</td><td>31</td><td>30</td><td>29</td><td>28</td><td>27</td><td>26</td><td>25</td><td>24</td><td></td><td></td><td></td><td></td><td></td><td></td></tr> <tr><td>16</td><td>15</td><td>14</td><td>13</td><td>10</td><td>9</td><td>8</td><td></td><td></td><td></td><td></td><td></td><td></td><td></td><td></td><td></td></tr> </table>	72	71	70	68	67	66	62	61	60	59	58	57	56	55	54	53	52	51	50	48	47	46	42	41	40	39	38	37	36	35	34	33	73	32	31	30	29	28	27	26	25	24							16	15	14	13	10	9	8													
72	71	70	68	67	66	62	61	60	59	58	57	56	55	54	53																																																											
52	51	50	48	47	46	42	41	40	39	38	37	36	35	34	33																																																											
73	32	31	30	29	28	27	26	25	24																																																																	
16	15	14	13	10	9	8																																																																				
AVAILABLE	NOT APPLICABLE	34566-2773	0	H	ST GRY	<table border="1"> <tr><td></td><td></td><td></td><td></td><td></td><td></td><td></td><td></td><td></td><td></td><td></td><td></td><td></td><td></td><td></td><td></td><td>61</td></tr> <tr><td></td><td></td><td></td><td></td><td></td><td></td><td>53</td><td></td><td></td><td></td><td></td><td></td><td></td><td></td><td></td><td></td><td></td></tr> <tr><td></td><td></td><td></td><td></td><td></td><td></td><td>32</td><td></td><td></td><td></td><td></td><td></td><td></td><td></td><td></td><td></td><td></td></tr> <tr><td>20</td><td></td><td></td><td></td><td></td><td></td><td></td><td></td><td>9</td><td></td><td></td><td></td><td>5</td><td></td><td></td><td></td><td>1</td></tr> </table>																	61							53																	32											20								9				5				1
																61																																																										
						53																																																																				
						32																																																																				
20								9				5				1																																																										
AVAILABLE	NOT APPLICABLE	34566-2783	9	H	ST GRY	<table border="1"> <tr><td></td><td></td><td></td><td></td><td></td><td></td><td></td><td></td><td></td><td></td><td></td><td></td><td></td><td></td><td></td><td></td><td>61</td></tr> <tr><td></td><td></td><td></td><td></td><td></td><td></td><td>53</td><td></td><td></td><td></td><td></td><td></td><td></td><td></td><td></td><td></td><td></td></tr> <tr><td></td><td></td><td></td><td></td><td></td><td></td><td>32</td><td></td><td></td><td></td><td></td><td></td><td></td><td></td><td></td><td></td><td></td></tr> <tr><td>20</td><td></td><td></td><td></td><td></td><td></td><td></td><td></td><td>9</td><td></td><td></td><td></td><td>5</td><td></td><td></td><td></td><td>1</td></tr> </table>																	61							53																	32											20								9				5				1
																61																																																										
						53																																																																				
						32																																																																				
20								9				5				1																																																										


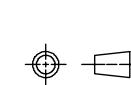
PRE-RELEASE REFERENCE USE ONLY

THIS DRAWING CONTAINS INFORMATION THAT IS PROPRIETARY TO MOLEX ELECTRONIC TECHNOLOGIES, LLC AND SHOULD NOT BE USED WITHOUT WRITTEN PERMISSION													
EC NO: 120063	DRWN: APODDATURI	CHKD:	2017/07/13	2017/08/08	GENERAL TOLERANCES (UNLESS SPECIFIED)	DIMENSION UNITS	SCALE	 MX123 66/73/80CKT HRNS CONN ASSY  PRODUCT CUSTOMER DRAWING					
4 PLACES ±					MM	1:1							
3 PLACES ±					DRWN BY	DATE							
2 PLACES ±					SKRAJENDRANA	2011/02/14							
1 PLACE ±					CHKD BY	DATE							
0 PLACES ±					MVANSLAMBROU	2011/02/14							
DRAFT WHERE APPLICABLE MUST REMAIN WITHIN DIMENSIONS					DRAWING SIZE	THIRD ANGLE PROJECTION	SERIES						
G55	REV APPR: VKOSHY				D	⊕	34566	SEE BOM TABLE	CUSTOMER				
								GENERAL MARKET					
DOCUMENT NUMBER								DOC TYPE		DOC PART		SHEET NUMBER	
SD-34566-001								PSD		000		36 OF 98	



STATUS	GM PART #	MATERIAL #	WIRE DRESS OPTION	KEY OPTION ▽	COLOR (TPA) ▽	NUMBERS INDICATE CAVITIES OPEN FOR CIRCUITS ▽																																																																						
AVAILABLE	NOT APPLICABLE	34566-2893	0	A	BLACK	<table border="1"> <tr><td>72</td><td></td><td></td><td>69</td><td>67</td><td></td><td>65</td><td>63</td><td></td><td>60</td><td></td><td>57</td><td>56</td><td></td><td>53</td></tr> <tr><td></td><td></td><td></td><td>49</td><td>47</td><td>46</td><td></td><td>44</td><td>43</td><td></td><td>40</td><td></td><td>37</td><td>36</td><td>35</td><td>33</td></tr> <tr><td></td><td></td><td></td><td></td><td>31</td><td>30</td><td>29</td><td>28</td><td></td><td></td><td>24</td><td></td><td>21</td><td>20</td><td></td><td>17</td></tr> <tr><td></td><td></td><td></td><td></td><td>16</td><td>15</td><td>14</td><td>13</td><td></td><td>11</td><td>10</td><td></td><td>5</td><td>4</td><td>3</td><td>2</td><td>1</td></tr> </table>	72			69	67		65	63		60		57	56		53				49	47	46		44	43		40		37	36	35	33					31	30	29	28			24		21	20		17					16	15	14	13		11	10		5	4	3	2	1						
72			69	67		65	63		60		57	56		53																																																														
			49	47	46		44	43		40		37	36	35	33																																																													
				31	30	29	28			24		21	20		17																																																													
				16	15	14	13		11	10		5	4	3	2	1																																																												
AVAILABLE	NOT APPLICABLE	34566-2913	0	B	ST GRY	<table border="1"> <tr><td></td><td></td><td></td><td>68</td><td>67</td><td></td><td></td><td>64</td><td></td><td></td><td></td><td></td><td>58</td><td></td><td></td><td></td><td></td></tr> <tr><td></td><td></td><td></td><td></td><td></td><td>46</td><td>45</td><td></td><td></td><td></td><td></td><td></td><td>38</td><td></td><td></td><td></td><td></td></tr> <tr><td></td><td></td><td></td><td></td><td>32</td><td></td><td>30</td><td>29</td><td>28</td><td>27</td><td></td><td></td><td>22</td><td></td><td></td><td></td><td>17</td></tr> <tr><td></td><td></td><td></td><td></td><td></td><td>15</td><td></td><td>13</td><td></td><td></td><td>10</td><td></td><td></td><td></td><td></td><td></td><td>1</td></tr> </table>				68	67			64					58										46	45						38									32		30	29	28	27			22				17						15		13			10						1		
			68	67			64					58																																																																
					46	45						38																																																																
				32		30	29	28	27			22				17																																																												
					15		13			10						1																																																												
AVAILABLE	NOT APPLICABLE	34566-2923	0	B	ST GRY	<table border="1"> <tr><td></td><td></td><td></td><td>68</td><td>67</td><td></td><td></td><td>64</td><td></td><td></td><td></td><td></td><td></td><td></td><td></td><td></td><td></td></tr> <tr><td></td><td></td><td></td><td></td><td></td><td>46</td><td>45</td><td></td><td></td><td></td><td></td><td></td><td></td><td></td><td></td><td></td><td></td></tr> <tr><td></td><td></td><td></td><td></td><td>32</td><td></td><td>30</td><td>29</td><td>28</td><td>27</td><td></td><td></td><td></td><td></td><td></td><td></td><td>17</td></tr> <tr><td></td><td></td><td></td><td></td><td></td><td>15</td><td></td><td>13</td><td></td><td></td><td>10</td><td></td><td></td><td></td><td></td><td></td><td></td></tr> </table>				68	67			64															46	45															32		30	29	28	27							17						15		13			10								
			68	67			64																																																																					
					46	45																																																																						
				32		30	29	28	27							17																																																												
					15		13			10																																																																		
AVAILABLE	NOT APPLICABLE	34566-2933	0	A	BLACK	<table border="1"> <tr><td>72</td><td></td><td></td><td>69</td><td>67</td><td></td><td>65</td><td>63</td><td></td><td>60</td><td></td><td>57</td><td>56</td><td></td><td>53</td></tr> <tr><td></td><td></td><td></td><td>49</td><td>47</td><td></td><td></td><td>44</td><td>43</td><td></td><td>40</td><td></td><td>37</td><td>36</td><td>35</td><td>33</td></tr> <tr><td></td><td></td><td></td><td></td><td>31</td><td>30</td><td>29</td><td>28</td><td></td><td></td><td>24</td><td></td><td>21</td><td>20</td><td></td><td>17</td></tr> <tr><td></td><td></td><td></td><td></td><td>16</td><td>15</td><td>14</td><td></td><td></td><td>11</td><td>10</td><td></td><td>5</td><td>4</td><td>3</td><td>2</td><td>1</td></tr> </table>	72			69	67		65	63		60		57	56		53				49	47			44	43		40		37	36	35	33					31	30	29	28			24		21	20		17					16	15	14			11	10		5	4	3	2	1						
72			69	67		65	63		60		57	56		53																																																														
			49	47			44	43		40		37	36	35	33																																																													
				31	30	29	28			24		21	20		17																																																													
				16	15	14			11	10		5	4	3	2	1																																																												
AVAILABLE	NOT APPLICABLE	34566-2943	0	B	ST GRY	<table border="1"> <tr><td></td><td></td><td></td><td>68</td><td>67</td><td></td><td></td><td>64</td><td>63</td><td></td><td></td><td>59</td><td>57</td><td></td><td></td><td></td><td></td></tr> <tr><td></td><td></td><td></td><td></td><td></td><td>46</td><td>45</td><td></td><td>43</td><td></td><td></td><td>39</td><td>37</td><td></td><td></td><td></td><td></td></tr> <tr><td></td><td></td><td></td><td></td><td>32</td><td></td><td>30</td><td>29</td><td>28</td><td>27</td><td></td><td></td><td>21</td><td></td><td></td><td></td><td></td></tr> <tr><td></td><td></td><td></td><td></td><td></td><td></td><td></td><td></td><td></td><td>10</td><td></td><td></td><td>6</td><td>5</td><td>4</td><td>3</td><td></td></tr> </table>				68	67			64	63			59	57										46	45		43			39	37									32		30	29	28	27			21														10			6	5	4	3			
			68	67			64	63			59	57																																																																
					46	45		43			39	37																																																																
				32		30	29	28	27			21																																																																
									10			6	5	4	3																																																													
AVAILABLE	NOT APPLICABLE	34566-2953	0	B	ST GRY	<table border="1"> <tr><td></td><td></td><td></td><td>68</td><td>67</td><td></td><td></td><td>64</td><td>63</td><td></td><td></td><td>59</td><td></td><td></td><td></td><td></td><td></td></tr> <tr><td></td><td></td><td></td><td></td><td></td><td>46</td><td>45</td><td></td><td>43</td><td></td><td></td><td>39</td><td></td><td></td><td></td><td>34</td><td></td></tr> <tr><td></td><td></td><td></td><td></td><td>32</td><td></td><td>30</td><td>29</td><td>28</td><td>27</td><td></td><td></td><td></td><td></td><td></td><td></td><td></td></tr> <tr><td></td><td></td><td></td><td></td><td></td><td></td><td></td><td></td><td></td><td>10</td><td></td><td></td><td>6</td><td>5</td><td>4</td><td>3</td><td></td></tr> </table>				68	67			64	63			59											46	45		43			39				34						32		30	29	28	27																	10			6	5	4	3			
			68	67			64	63			59																																																																	
					46	45		43			39				34																																																													
				32		30	29	28	27																																																																			
									10			6	5	4	3																																																													
AVAILABLE	NOT APPLICABLE	34566-2963	0	H	ST GRY	<table border="1"> <tr><td></td><td>79</td><td></td><td></td><td></td><td>74</td><td>73</td><td>72</td><td>71</td><td></td><td>69</td><td>68</td><td>67</td><td></td><td>64</td><td>62</td><td>61</td></tr> <tr><td></td><td>59</td><td></td><td></td><td></td><td>54</td><td>53</td><td>52</td><td></td><td></td><td>49</td><td>48</td><td>47</td><td></td><td></td><td>42</td><td>41</td></tr> <tr><td></td><td></td><td>38</td><td></td><td></td><td></td><td>33</td><td></td><td></td><td></td><td>29</td><td>27</td><td>25</td><td></td><td></td><td></td><td>21</td></tr> <tr><td></td><td></td><td></td><td></td><td></td><td>15</td><td>14</td><td></td><td></td><td>11</td><td>10</td><td>9</td><td>8</td><td>7</td><td></td><td></td><td></td></tr> </table>		79				74	73	72	71		69	68	67		64	62	61		59				54	53	52			49	48	47			42	41			38				33				29	27	25				21						15	14			11	10	9	8	7					
	79				74	73	72	71		69	68	67		64	62	61																																																												
	59				54	53	52			49	48	47			42	41																																																												
		38				33				29	27	25				21																																																												
					15	14			11	10	9	8	7																																																															
AVAILABLE	NOT APPLICABLE	34566-2973	0	G	BLUE	<table border="1"> <tr><td>80</td><td>78</td><td>77</td><td></td><td>75</td><td>74</td><td>73</td><td>72</td><td></td><td>70</td><td>69</td><td></td><td>67</td><td>65</td><td>64</td><td>63</td><td>62</td></tr> <tr><td>60</td><td>58</td><td>57</td><td></td><td>55</td><td>54</td><td></td><td>52</td><td>51</td><td>50</td><td>49</td><td></td><td>47</td><td>45</td><td></td><td></td><td></td></tr> <tr><td>40</td><td>38</td><td>37</td><td></td><td></td><td></td><td></td><td>33</td><td>32</td><td>31</td><td></td><td></td><td>27</td><td>26</td><td>25</td><td>24</td><td></td></tr> <tr><td>20</td><td>18</td><td>17</td><td></td><td></td><td></td><td></td><td></td><td></td><td>10</td><td>9</td><td>8</td><td></td><td>6</td><td>5</td><td></td><td>3</td><td>2</td><td>1</td></tr> </table>	80	78	77		75	74	73	72		70	69		67	65	64	63	62	60	58	57		55	54		52	51	50	49		47	45				40	38	37					33	32	31			27	26	25	24		20	18	17							10	9	8		6	5		3	2	1
80	78	77		75	74	73	72		70	69		67	65	64	63	62																																																												
60	58	57		55	54		52	51	50	49		47	45																																																															
40	38	37					33	32	31			27	26	25	24																																																													
20	18	17							10	9	8		6	5		3	2	1																																																										

PRE-RELEASE  
REFERENCE  
USE ONLY

THIS DRAWING CONTAINS INFORMATION THAT IS PROPRIETARY TO MOLEX ELECTRONIC TECHNOLOGIES, LLC AND SHOULD NOT BE USED WITHOUT WRITTEN PERMISSION											
EC NO: 120083 DRWN: APODDATURI CHKD: REV APPR: VKOSHY	2017/07/13	GENERAL TOLERANCES (UNLESS SPECIFIED)		DIMENSION UNITS	SCALE	 MX123 66/73/80CKT HRNS CONN ASSY PRODUCT CUSTOMER DRAWING					
	2017/08/08	ANGULAR TOL ± °		MM	1:1						
		4 PLACES ±	SKRAJENDRANA	DATE	2011/02/14						
		3 PLACES ±	CHKD BY	DATE							
		2 PLACES ±	MVANSLAMBROU	DATE	2011/02/14						
		1 PLACE ±	APPR BY	DATE							
	0 PLACES ±	DRAFT WHERE APPLICABLE MUST REMAIN WITHIN DIMENSIONS		DRAWING SIZE	THIRD ANGLE PROJECTION	SERIES: 34566    MATERIAL NUMBER: SEE BOM TABLE    CUSTOMER: GENERAL MARKET					
G55		D				DOCUMENT NUMBER: SD-34566-001		DOC TYPE: PSD	DOC PART: 000	SHEET NUMBER: 38 OF 98	



STATUS	GM PART #	MATERIAL #	WIRE DRESS OPTION	KEY OPTION	COLOR (TPA)	NUMBERS INDICATE CAVITIES OPEN FOR CIRCUITS																																																																																
AVAILABLE	NOT APPLICABLE	34566-9913	0	A	BLACK	<table border="1"> <tr><td>72</td><td>71</td><td></td><td></td><td>68</td><td>67</td><td>66</td><td>65</td><td>64</td><td></td><td></td><td></td><td></td><td>59</td><td></td><td></td><td></td><td></td><td></td><td></td></tr> <tr><td></td><td></td><td>50</td><td></td><td>48</td><td>47</td><td>46</td><td>45</td><td></td><td></td><td></td><td></td><td></td><td>40</td><td>39</td><td>38</td><td></td><td></td><td></td><td></td></tr> <tr><td></td><td></td><td>73</td><td></td><td></td><td>31</td><td>30</td><td></td><td></td><td></td><td></td><td></td><td>25</td><td>24</td><td></td><td>22</td><td>21</td><td>20</td><td></td><td>17</td></tr> <tr><td></td><td></td><td></td><td></td><td></td><td></td><td>14</td><td></td><td></td><td></td><td></td><td></td><td>9</td><td></td><td>7</td><td>6</td><td>5</td><td>4</td><td></td><td>2</td></tr> </table>	72	71			68	67	66	65	64					59									50		48	47	46	45						40	39	38							73			31	30						25	24		22	21	20		17							14						9		7	6	5	4		2
72	71			68	67	66	65	64					59																																																																									
		50		48	47	46	45						40	39	38																																																																							
		73			31	30						25	24		22	21	20		17																																																																			
						14						9		7	6	5	4		2																																																																			
AVAILABLE	NOT APPLICABLE	34566-9923	0	A	BLACK	<table border="1"> <tr><td>72</td><td>71</td><td></td><td></td><td></td><td>67</td><td>66</td><td></td><td></td><td></td><td>62</td><td>61</td><td>60</td><td></td><td></td><td>57</td><td></td><td>55</td><td>54</td><td></td></tr> <tr><td></td><td>51</td><td></td><td></td><td>48</td><td>46</td><td>45</td><td>44</td><td>43</td><td>42</td><td></td><td></td><td>39</td><td></td><td></td><td></td><td></td><td>35</td><td></td><td>33</td></tr> <tr><td></td><td></td><td>73</td><td></td><td></td><td></td><td></td><td></td><td></td><td>26</td><td>25</td><td>24</td><td></td><td></td><td></td><td></td><td></td><td></td><td></td><td></td></tr> <tr><td></td><td></td><td></td><td></td><td></td><td>15</td><td>14</td><td></td><td></td><td></td><td></td><td></td><td>8</td><td>7</td><td>6</td><td>5</td><td>4</td><td>3</td><td>2</td><td></td></tr> </table>	72	71				67	66				62	61	60			57		55	54			51			48	46	45	44	43	42			39					35		33			73							26	25	24														15	14						8	7	6	5	4	3	2	
72	71				67	66				62	61	60			57		55	54																																																																				
	51			48	46	45	44	43	42			39					35		33																																																																			
		73							26	25	24																																																																											
					15	14						8	7	6	5	4	3	2																																																																				
AVAILABLE	NOT APPLICABLE	34566-9933	0	B	ST GRY	<table border="1"> <tr><td></td><td></td><td></td><td></td><td>69</td><td></td><td></td><td></td><td>65</td><td>64</td><td>63</td><td></td><td></td><td></td><td></td><td></td><td></td><td></td><td></td><td></td></tr> <tr><td></td><td></td><td></td><td></td><td>49</td><td></td><td></td><td></td><td>45</td><td>44</td><td>43</td><td></td><td></td><td></td><td></td><td></td><td></td><td></td><td></td><td></td></tr> <tr><td></td><td></td><td>73</td><td></td><td></td><td></td><td></td><td></td><td></td><td></td><td></td><td></td><td></td><td></td><td></td><td>22</td><td>21</td><td>20</td><td>19</td><td>18</td></tr> <tr><td></td><td></td><td></td><td></td><td></td><td></td><td></td><td></td><td>12</td><td>11</td><td></td><td></td><td></td><td></td><td>6</td><td>5</td><td>4</td><td>3</td><td>2</td><td>1</td></tr> </table>					69				65	64	63														49				45	44	43												73													22	21	20	19	18									12	11					6	5	4	3	2	1
				69				65	64	63																																																																												
				49				45	44	43																																																																												
		73													22	21	20	19	18																																																																			
								12	11					6	5	4	3	2	1																																																																			
AVAILABLE	NOT APPLICABLE	34566-9943	0	C	BLUE	<table border="1"> <tr><td></td><td>71</td><td></td><td>69</td><td></td><td></td><td></td><td></td><td>65</td><td>64</td><td></td><td></td><td>61</td><td>60</td><td></td><td>58</td><td></td><td>56</td><td>55</td><td>54</td></tr> <tr><td></td><td></td><td>50</td><td>49</td><td></td><td></td><td></td><td></td><td>45</td><td>43</td><td></td><td></td><td>41</td><td></td><td></td><td></td><td></td><td>37</td><td>36</td><td>35</td></tr> <tr><td></td><td></td><td>73</td><td></td><td></td><td>31</td><td></td><td></td><td>29</td><td>28</td><td></td><td></td><td>24</td><td>23</td><td></td><td></td><td></td><td></td><td>19</td><td>18</td></tr> <tr><td></td><td></td><td></td><td></td><td></td><td>16</td><td></td><td></td><td>13</td><td>12</td><td>11</td><td></td><td></td><td>8</td><td>7</td><td></td><td></td><td></td><td>3</td><td>2</td></tr> </table>		71		69					65	64			61	60		58		56	55	54			50	49					45	43			41					37	36	35			73			31			29	28			24	23					19	18						16			13	12	11			8	7				3	2
	71		69					65	64			61	60		58		56	55	54																																																																			
		50	49					45	43			41					37	36	35																																																																			
		73			31			29	28			24	23					19	18																																																																			
					16			13	12	11			8	7				3	2																																																																			
AVAILABLE	NOT APPLICABLE	34566-9953	0	A	BLACK	<table border="1"> <tr><td></td><td></td><td></td><td></td><td></td><td>67</td><td></td><td></td><td></td><td></td><td></td><td>62</td><td></td><td>60</td><td></td><td></td><td>57</td><td></td><td>55</td><td></td></tr> <tr><td></td><td>51</td><td></td><td></td><td></td><td>48</td><td></td><td>46</td><td>45</td><td>44</td><td>43</td><td></td><td></td><td>39</td><td></td><td></td><td></td><td></td><td>35</td><td></td></tr> <tr><td></td><td></td><td>73</td><td></td><td></td><td></td><td></td><td></td><td></td><td></td><td></td><td></td><td></td><td>25</td><td></td><td></td><td></td><td></td><td></td><td></td></tr> <tr><td></td><td></td><td></td><td></td><td></td><td></td><td>15</td><td>14</td><td></td><td></td><td></td><td></td><td></td><td>7</td><td>6</td><td>5</td><td>4</td><td>3</td><td>2</td><td></td></tr> </table>						67						62		60			57		55			51				48		46	45	44	43			39					35				73											25													15	14						7	6	5	4	3	2	
					67						62		60			57		55																																																																				
	51				48		46	45	44	43			39					35																																																																				
		73											25																																																																									
						15	14						7	6	5	4	3	2																																																																				
AVAILABLE	NOT APPLICABLE	34566-9963	0	B	ST GRY	<table border="1"> <tr><td></td><td></td><td></td><td></td><td></td><td>68</td><td>67</td><td></td><td></td><td>64</td><td>63</td><td></td><td></td><td></td><td></td><td>58</td><td></td><td></td><td>55</td><td></td></tr> <tr><td></td><td></td><td></td><td></td><td></td><td></td><td></td><td>46</td><td>45</td><td>43</td><td></td><td></td><td></td><td></td><td></td><td>38</td><td></td><td></td><td>35</td><td></td></tr> <tr><td></td><td></td><td>73</td><td></td><td></td><td>32</td><td>30</td><td>29</td><td>28</td><td>27</td><td></td><td></td><td></td><td></td><td></td><td>22</td><td></td><td></td><td>19</td><td>17</td></tr> <tr><td></td><td></td><td></td><td></td><td></td><td>15</td><td></td><td>13</td><td></td><td></td><td>10</td><td></td><td></td><td></td><td></td><td></td><td></td><td></td><td></td><td>1</td></tr> </table>						68	67			64	63					58			55									46	45	43						38			35				73			32	30	29	28	27						22			19	17						15		13			10									1
					68	67			64	63					58			55																																																																				
							46	45	43						38			35																																																																				
		73			32	30	29	28	27						22			19	17																																																																			
					15		13			10									1																																																																			
AVAILABLE	NOT APPLICABLE	34566-9973	0	B	ST GRY	<table border="1"> <tr><td></td><td></td><td></td><td></td><td></td><td>68</td><td>67</td><td></td><td></td><td>64</td><td>63</td><td></td><td></td><td></td><td></td><td>58</td><td></td><td></td><td></td><td></td></tr> <tr><td></td><td></td><td></td><td></td><td></td><td></td><td></td><td>46</td><td>45</td><td>43</td><td></td><td></td><td></td><td></td><td></td><td>38</td><td></td><td></td><td></td><td></td></tr> <tr><td></td><td></td><td>73</td><td></td><td></td><td>32</td><td>30</td><td>29</td><td>28</td><td>27</td><td></td><td></td><td></td><td></td><td></td><td>22</td><td></td><td></td><td></td><td>17</td></tr> <tr><td></td><td></td><td></td><td></td><td></td><td>15</td><td></td><td>13</td><td></td><td></td><td>10</td><td></td><td></td><td></td><td></td><td></td><td></td><td></td><td></td><td></td></tr> </table>						68	67			64	63					58												46	45	43						38							73			32	30	29	28	27						22				17						15		13			10									
					68	67			64	63					58																																																																							
							46	45	43						38																																																																							
		73			32	30	29	28	27						22				17																																																																			
					15		13			10																																																																												

PRE-RELEASE REFERENCE USE ONLY

THIS DRAWING CONTAINS INFORMATION THAT IS PROPRIETARY TO MOLEX ELECTRONIC TECHNOLOGIES, LLC AND SHOULD NOT BE USED WITHOUT WRITTEN PERMISSION									
EC NO: 120093 DRWN: APODDATURI CHKD: REV APPR: VKOSHY	2017/07/13	GENERAL TOLERANCES (UNLESS SPECIFIED)		DIMENSION UNITS	SCALE				
	2017/08/08	ANGULAR TOL ± °		MM	1:1				
		4 PLACES ±	SKRAJENDRANA	DATE	2011/02/14				
		3 PLACES ±	CHKD BY	DATE					
		2 PLACES ±	MVANSLAMBROU	DATE	2011/02/14				
	1 PLACE ±	APPR BY	DATE		PRODUCT CUSTOMER DRAWING				
	0 PLACES ±	DRAFT WHERE APPLICABLE MUST REMAIN WITHIN DIMENSIONS			DRAWING SIZE	THIRD ANGLE PROJECTION	SERIES	MATERIAL NUMBER	CUSTOMER
		D		34566	SEE BOM TABLE	GENERAL MARKET			
G55				DOCUMENT NUMBER	DOC TYPE	DOC PART	SHEET NUMBER		
				SD-34566-001	PSD	000	39 OF 98		



STATUS	GM PART #	MATERIAL #	WIRE DRESS OPTION	KEY OPTION	COLOR (TPA)	NUMBERS INDICATE CAVITIES OPEN FOR CIRCUITS																																																																																																	
						<table border="1"> <tr><td></td><td></td><td>71</td><td></td><td>69</td><td></td><td></td><td></td><td>65</td><td>64</td><td>63</td><td></td><td></td><td>60</td><td></td><td></td><td>57</td><td>56</td><td>55</td><td>54</td><td>53</td></tr> <tr><td></td><td>52</td><td>51</td><td></td><td>49</td><td></td><td></td><td></td><td>45</td><td>44</td><td>43</td><td>42</td><td>41</td><td></td><td></td><td></td><td>37</td><td>36</td><td>35</td><td>34</td><td>33</td></tr> <tr><td></td><td colspan="2">73</td><td></td><td>32</td><td></td><td>30</td><td></td><td>28</td><td></td><td>26</td><td></td><td></td><td>23</td><td></td><td></td><td></td><td>19</td><td>18</td><td></td><td></td></tr> <tr><td></td><td colspan="2">73</td><td></td><td>16</td><td></td><td></td><td></td><td>12</td><td></td><td>10</td><td></td><td></td><td>8</td><td>7</td><td>6</td><td></td><td></td><td>3</td><td></td><td></td></tr> </table>																						71		69				65	64	63			60			57	56	55	54	53		52	51		49				45	44	43	42	41				37	36	35	34	33		73			32		30		28		26			23				19	18				73			16				12		10			8	7
		71		69				65	64	63			60			57	56	55	54	53																																																																																			
	52	51		49				45	44	43	42	41				37	36	35	34	33																																																																																			
	73			32		30		28		26			23				19	18																																																																																					
	73			16				12		10			8	7	6			3																																																																																					
AVAILABLE	NOT APPLICABLE	34566-3073	0	A	BLACK	[Cavity Numbers]																																																																																																	
AVAILABLE	NOT APPLICABLE	34566-3083	0	A	BLACK	[Cavity Numbers]																																																																																																	
AVAILABLE	NOT APPLICABLE	34566-3093	0	A	BLACK	[Cavity Numbers]																																																																																																	
AVAILABLE	NOT APPLICABLE	34566-3113	0	A	BLACK	[Cavity Numbers]																																																																																																	
AVAILABLE	NOT APPLICABLE	34566-3123	0	B	ST GRAY	[Cavity Numbers]																																																																																																	
AVAILABLE	NOT APPLICABLE	34566-3133	0	C	BLUE	[Cavity Numbers]																																																																																																	
AVAILABLE	NOT APPLICABLE	34566-3143	0	C	BLUE	[Cavity Numbers]																																																																																																	
AVAILABLE	NOT APPLICABLE	34566-3153	0	A	BLACK	[Cavity Numbers]																																																																																																	

PRE-RELEASE  
REFERENCE  
USE ONLY

THIS DRAWING CONTAINS INFORMATION THAT IS PROPRIETARY TO MOLEX ELECTRONIC TECHNOLOGIES, LLC AND SHOULD NOT BE USED WITHOUT WRITTEN PERMISSION

EC NO: 120093 DRWN: APODDATURI CHKD: REV APPR: VKOSHY	2017/07/13	GENERAL TOLERANCES (UNLESS SPECIFIED)  ANGULAR TOL ± ° 4 PLACES ± 3 PLACES ± 2 PLACES ± 1 PLACE ± 0 PLACES ± DRAFT WHERE APPLICABLE MUST REMAIN WITHIN DIMENSIONS	DIMENSION UNITS	SCALE		
			MM	1:1		
	DRWN BY		DATE	SKRAJENDRANA 2011/02/14		
	CHKD BY		DATE	MVANSLAMBROU 2011/02/14		
	APPR BY		DATE			
	DRAWING SIZE		THIRD ANGLE PROJECTION	D		
PRODUCT CUSTOMER DRAWING		SERIES	MATERIAL NUMBER	CUSTOMER	MX123 66/73/80CKT HRNS CONN ASSY	
		34566	SEE BOM TABLE	GENERAL MARKET		
DOCUMENT NUMBER		DOC TYPE	DOC PART	SHEET NUMBER	41 OF 98	
G55		SD-34566-001	PSD	000	41 OF 98	



STATUS	GM PART #	MATERIAL #	WIRE DRESS OPTION	KEY OPTION	COLOR (TPA)	NUMBERS INDICATE CAVITIES OPEN FOR CIRCUITS																																																																																															
AVAILABLE	NOT APPLICABLE	34566-3253	0	A	BLACK	<table border="1"> <tr><td></td><td></td><td>70</td><td>69</td><td></td><td></td><td></td><td></td><td></td><td></td><td>63</td><td></td><td></td><td></td><td></td><td>58</td><td></td><td>56</td><td>55</td><td>54</td><td>53</td></tr> <tr><td>52</td><td>51</td><td></td><td>49</td><td></td><td></td><td></td><td></td><td>44</td><td>43</td><td>42</td><td>41</td><td></td><td></td><td></td><td></td><td></td><td>36</td><td></td><td>34</td><td></td></tr> <tr><td colspan="2"></td><td colspan="2">73</td><td colspan="2"></td><td></td><td>32</td><td></td><td></td><td>28</td><td>26</td><td></td><td></td><td></td><td></td><td></td><td></td><td>19</td><td>18</td><td></td></tr> <tr><td colspan="2"></td><td colspan="2"></td><td>16</td><td>15</td><td></td><td></td><td></td><td>12</td><td></td><td>10</td><td></td><td></td><td></td><td></td><td></td><td></td><td>3</td><td></td><td></td></tr> </table>			70	69							63					58		56	55	54	53	52	51		49					44	43	42	41						36		34				73					32			28	26							19	18						16	15				12		10							3													
		70	69							63					58		56	55	54	53																																																																																	
52	51		49					44	43	42	41						36		34																																																																																		
		73					32			28	26							19	18																																																																																		
				16	15				12		10							3																																																																																			
AVAILABLE	NOT APPLICABLE	34566-3263	0	C	BLUE	<table border="1"> <tr><td>72</td><td></td><td>70</td><td></td><td></td><td></td><td></td><td>66</td><td></td><td></td><td>63</td><td>62</td><td></td><td></td><td>59</td><td></td><td>57</td><td>56</td><td>55</td><td></td><td>53</td></tr> <tr><td>52</td><td>51</td><td></td><td></td><td></td><td></td><td></td><td>46</td><td></td><td>44</td><td></td><td>42</td><td></td><td>40</td><td>39</td><td></td><td></td><td></td><td></td><td>34</td><td>33</td></tr> <tr><td colspan="2"></td><td colspan="2">73</td><td colspan="2"></td><td></td><td>32</td><td></td><td></td><td>30</td><td></td><td></td><td>26</td><td>25</td><td></td><td>22</td><td>21</td><td></td><td>19</td><td>18</td></tr> <tr><td colspan="2"></td><td colspan="2"></td><td>15</td><td>14</td><td></td><td></td><td></td><td></td><td></td><td>10</td><td>9</td><td></td><td></td><td>6</td><td>5</td><td>4</td><td>3</td><td></td><td></td></tr> </table>	72		70					66			63	62			59		57	56	55		53	52	51						46		44		42		40	39					34	33			73					32			30			26	25		22	21		19	18					15	14						10	9			6	5	4	3													
72		70					66			63	62			59		57	56	55		53																																																																																	
52	51						46		44		42		40	39					34	33																																																																																	
		73					32			30			26	25		22	21		19	18																																																																																	
				15	14						10	9			6	5	4	3																																																																																			
AVAILABLE	NOT APPLICABLE	34566-3273	0	A	BLACK	<table border="1"> <tr><td></td><td></td><td>70</td><td>69</td><td></td><td></td><td></td><td></td><td></td><td></td><td>63</td><td></td><td></td><td></td><td></td><td>58</td><td></td><td>56</td><td>55</td><td>54</td><td>53</td></tr> <tr><td>52</td><td>51</td><td></td><td>49</td><td></td><td></td><td></td><td></td><td>44</td><td>43</td><td>42</td><td>41</td><td></td><td></td><td></td><td></td><td></td><td>36</td><td></td><td>34</td><td></td></tr> <tr><td colspan="2"></td><td colspan="2">73</td><td colspan="2"></td><td></td><td>32</td><td></td><td></td><td>28</td><td>26</td><td></td><td></td><td></td><td></td><td></td><td></td><td>19</td><td>18</td><td>17</td></tr> <tr><td colspan="2"></td><td colspan="2"></td><td>16</td><td>15</td><td></td><td></td><td></td><td>12</td><td></td><td>10</td><td></td><td></td><td></td><td></td><td></td><td></td><td>3</td><td>2</td><td>1</td></tr> </table>			70	69							63					58		56	55	54	53	52	51		49					44	43	42	41						36		34				73					32			28	26							19	18	17					16	15				12		10							3	2	1											
		70	69							63					58		56	55	54	53																																																																																	
52	51		49					44	43	42	41						36		34																																																																																		
		73					32			28	26							19	18	17																																																																																	
				16	15				12		10							3	2	1																																																																																	
AVAILABLE	NOT APPLICABLE	34566-3283	0	C	BLUE	<table border="1"> <tr><td>72</td><td></td><td>70</td><td></td><td></td><td></td><td></td><td>67</td><td>66</td><td></td><td></td><td>63</td><td>62</td><td></td><td></td><td>59</td><td></td><td>57</td><td></td><td></td><td>53</td></tr> <tr><td>52</td><td>51</td><td></td><td></td><td></td><td></td><td></td><td>46</td><td></td><td>44</td><td></td><td>42</td><td></td><td>40</td><td>39</td><td></td><td></td><td></td><td></td><td>34</td><td>33</td></tr> <tr><td colspan="2"></td><td colspan="2">73</td><td colspan="2"></td><td></td><td></td><td>30</td><td></td><td></td><td>26</td><td>25</td><td></td><td></td><td>22</td><td>21</td><td></td><td></td><td></td><td></td></tr> <tr><td colspan="2"></td><td colspan="2"></td><td>15</td><td>14</td><td></td><td></td><td></td><td></td><td></td><td>10</td><td>9</td><td></td><td></td><td>6</td><td>5</td><td>4</td><td></td><td></td><td></td></tr> </table>	72		70					67	66			63	62			59		57			53	52	51						46		44		42		40	39					34	33			73						30			26	25			22	21									15	14						10	9			6	5	4														
72		70					67	66			63	62			59		57			53																																																																																	
52	51						46		44		42		40	39					34	33																																																																																	
		73						30			26	25			22	21																																																																																					
				15	14						10	9			6	5	4																																																																																				
AVAILABLE	NOT APPLICABLE	34566-3293	0	B	ST GRY	<table border="1"> <tr><td>72</td><td>71</td><td>70</td><td></td><td></td><td></td><td></td><td>68</td><td>67</td><td>66</td><td></td><td></td><td></td><td>62</td><td>61</td><td>60</td><td>59</td><td>58</td><td>57</td><td>56</td><td>55</td><td>54</td><td>53</td></tr> <tr><td>52</td><td>51</td><td>50</td><td></td><td></td><td></td><td></td><td>48</td><td>47</td><td></td><td></td><td></td><td></td><td>42</td><td>41</td><td>40</td><td>39</td><td>38</td><td>37</td><td>36</td><td>35</td><td>34</td><td>33</td></tr> <tr><td colspan="2"></td><td colspan="2">73</td><td colspan="2"></td><td></td><td>32</td><td>31</td><td>30</td><td>29</td><td>28</td><td>27</td><td>26</td><td>25</td><td>24</td><td>23</td><td></td><td></td><td></td><td></td><td></td><td></td><td></td></tr> <tr><td colspan="2"></td><td colspan="2"></td><td>16</td><td>15</td><td>14</td><td>13</td><td></td><td></td><td></td><td></td><td></td><td>10</td><td>9</td><td>8</td><td></td><td></td><td></td><td></td><td></td><td></td><td></td><td></td></tr> </table>	72	71	70					68	67	66				62	61	60	59	58	57	56	55	54	53	52	51	50					48	47					42	41	40	39	38	37	36	35	34	33			73					32	31	30	29	28	27	26	25	24	23												16	15	14	13						10	9	8									
72	71	70					68	67	66				62	61	60	59	58	57	56	55	54	53																																																																															
52	51	50					48	47					42	41	40	39	38	37	36	35	34	33																																																																															
		73					32	31	30	29	28	27	26	25	24	23																																																																																					
				16	15	14	13						10	9	8																																																																																						
AVAILABLE	NOT APPLICABLE	34566-3313	0	C	BLUE	<table border="1"> <tr><td>72</td><td></td><td>70</td><td></td><td></td><td></td><td></td><td></td><td></td><td></td><td></td><td>63</td><td>62</td><td></td><td></td><td>59</td><td></td><td>57</td><td></td><td></td><td></td><td>53</td></tr> <tr><td>52</td><td>51</td><td></td><td></td><td></td><td></td><td></td><td>46</td><td></td><td>44</td><td></td><td>42</td><td></td><td>40</td><td>39</td><td></td><td></td><td></td><td></td><td></td><td>34</td><td>33</td></tr> <tr><td colspan="2"></td><td colspan="2">73</td><td colspan="2"></td><td></td><td>32</td><td></td><td></td><td>30</td><td></td><td></td><td>26</td><td>25</td><td></td><td>22</td><td>21</td><td></td><td></td><td></td><td></td><td></td></tr> <tr><td colspan="2"></td><td colspan="2"></td><td>15</td><td>14</td><td></td><td></td><td></td><td></td><td></td><td></td><td></td><td></td><td></td><td>6</td><td>5</td><td>4</td><td></td><td></td><td></td><td></td><td></td></tr> </table>	72		70									63	62			59		57				53	52	51						46		44		42		40	39						34	33			73					32			30			26	25		22	21										15	14										6	5	4										
72		70									63	62			59		57				53																																																																																
52	51						46		44		42		40	39						34	33																																																																																
		73					32			30			26	25		22	21																																																																																				
				15	14										6	5	4																																																																																				
AVAILABLE	NOT APPLICABLE	34566-3323	0	B	ST GRY	<table border="1"> <tr><td></td><td></td><td></td><td></td><td></td><td></td><td></td><td>68</td><td>67</td><td>66</td><td>65</td><td>64</td><td>63</td><td></td><td></td><td></td><td></td><td>58</td><td></td><td>55</td><td></td><td></td></tr> <tr><td></td><td></td><td></td><td>49</td><td>48</td><td></td><td></td><td>46</td><td>45</td><td>44</td><td>43</td><td></td><td></td><td></td><td></td><td></td><td></td><td>38</td><td></td><td></td><td></td><td></td><td></td></tr> <tr><td colspan="2"></td><td colspan="2">73</td><td colspan="2"></td><td></td><td>32</td><td></td><td>30</td><td>29</td><td>28</td><td>27</td><td></td><td></td><td></td><td></td><td>22</td><td></td><td></td><td></td><td></td><td>17</td></tr> <tr><td colspan="2"></td><td colspan="2"></td><td>16</td><td></td><td></td><td></td><td></td><td></td><td></td><td></td><td></td><td>10</td><td></td><td></td><td></td><td></td><td></td><td></td><td></td><td></td><td></td></tr> </table>								68	67	66	65	64	63					58		55						49	48			46	45	44	43							38								73					32		30	29	28	27					22					17					16									10													
							68	67	66	65	64	63					58		55																																																																																		
			49	48			46	45	44	43							38																																																																																				
		73					32		30	29	28	27					22					17																																																																															
				16									10																																																																																								
AVAILABLE	NOT APPLICABLE	34566-3333	0	A	BLACK	<table border="1"> <tr><td>72</td><td>71</td><td>70</td><td>69</td><td>68</td><td></td><td></td><td></td><td></td><td></td><td>65</td><td>64</td><td>63</td><td></td><td></td><td>61</td><td></td><td>59</td><td>58</td><td>57</td><td>56</td><td></td><td>54</td></tr> <tr><td>52</td><td>51</td><td>50</td><td>49</td><td></td><td>47</td><td></td><td></td><td></td><td></td><td></td><td></td><td></td><td>42</td><td>41</td><td></td><td></td><td></td><td>38</td><td>37</td><td>36</td><td></td><td>34</td><td>33</td></tr> <tr><td colspan="2"></td><td colspan="2">73</td><td colspan="2"></td><td></td><td>32</td><td>31</td><td>30</td><td>29</td><td>28</td><td>27</td><td>26</td><td></td><td>24</td><td>23</td><td></td><td></td><td></td><td>20</td><td>19</td><td>18</td><td>17</td></tr> <tr><td colspan="2"></td><td colspan="2"></td><td>16</td><td></td><td></td><td></td><td></td><td></td><td>13</td><td>12</td><td>11</td><td>10</td><td>9</td><td></td><td></td><td></td><td></td><td></td><td>3</td><td>2</td><td>1</td><td></td></tr> </table>	72	71	70	69	68						65	64	63			61		59	58	57	56		54	52	51	50	49		47								42	41				38	37	36		34	33			73					32	31	30	29	28	27	26		24	23				20	19	18	17					16						13	12	11	10	9						3	2	1	
72	71	70	69	68						65	64	63			61		59	58	57	56		54																																																																															
52	51	50	49		47								42	41				38	37	36		34	33																																																																														
		73					32	31	30	29	28	27	26		24	23				20	19	18	17																																																																														
				16						13	12	11	10	9						3	2	1																																																																															



THIS DRAWING CONTAINS INFORMATION THAT IS PROPRIETARY TO MOLEX ELECTRONIC TECHNOLOGIES, LLC AND SHOULD NOT BE USED WITHOUT WRITTEN PERMISSION												
EC NO: 120093 DRWN: APODDATURI CHKD: REV APPR: VKOSHY	2017/07/13	GENERAL TOLERANCES (UNLESS SPECIFIED)		DIMENSION UNITS	SCALE							
	2017/08/08	ANGULAR TOL ± °		MM	1:1							
	4 PLACES ±		DRWN BY	DATE	SKRAJENDRANA 2011/02/14							
	3 PLACES ±		CHKD BY	DATE	MVANSLAMBROU 2011/02/14							
	2 PLACES ±		APPR BY	DATE								
	1 PLACE ±		DRAWING SIZE		THIRD ANGLE PROJECTION		PRODUCT CUSTOMER DRAWING					
0 PLACES ±		DRAFT WHERE APPLICABLE MUST REMAIN WITHIN DIMENSIONS		D		SERIES: 34566 MATERIAL NUMBER: SEE BOM TABLE CUSTOMER: GENERAL MARKET						
G55	DOCUMENT NUMBER: SD-34566-001		DOC TYPE: PSD		DOC PART: 000		SHEET NUMBER: 43 OF 98					



STATUS	GM PART #	MATERIAL #	PART/MATERIAL REVISION	WIRE DRESS OPTION	KEY OPTION	COLOR (TPA)	NUMBERS INDICATE CAVITIES OPEN FOR CIRCUITS																																																																																				
AVAILABLE	NOT APPLICABLE	34566-3433	G	9	C	BLUE	<table border="1"> <tr><td>72</td><td>70</td><td></td><td></td><td></td><td>66</td><td></td><td>63</td><td>62</td><td></td><td></td><td>59</td><td></td><td>57</td><td>56</td><td>55</td><td></td><td>53</td></tr> <tr><td>52</td><td>51</td><td></td><td></td><td></td><td>46</td><td></td><td>44</td><td>42</td><td></td><td></td><td>40</td><td>39</td><td></td><td></td><td></td><td></td><td>34</td><td>33</td></tr> <tr><td colspan="2">73</td><td></td><td></td><td></td><td>30</td><td></td><td></td><td>26</td><td>25</td><td></td><td></td><td>22</td><td>21</td><td></td><td></td><td></td><td></td><td></td></tr> <tr><td colspan="2"></td><td></td><td></td><td></td><td>15</td><td>14</td><td></td><td></td><td>10</td><td>9</td><td></td><td></td><td>6</td><td></td><td></td><td></td><td></td><td></td></tr> </table>	72	70				66		63	62			59		57	56	55		53	52	51				46		44	42			40	39					34	33	73					30			26	25			22	21											15	14			10	9			6														
72	70				66		63	62			59		57	56	55		53																																																																										
52	51				46		44	42			40	39					34	33																																																																									
73					30			26	25			22	21																																																																														
					15	14			10	9			6																																																																														
AVAILABLE	NOT APPLICABLE	34566-3443	G	0	A	BLACK	<table border="1"> <tr><td></td><td>71</td><td></td><td>69</td><td></td><td></td><td></td><td>65</td><td>64</td><td>63</td><td></td><td></td><td>60</td><td></td><td></td><td>57</td><td>56</td><td>55</td><td>54</td><td>53</td></tr> <tr><td>52</td><td>51</td><td></td><td>49</td><td></td><td></td><td></td><td>45</td><td>44</td><td>43</td><td>42</td><td>41</td><td></td><td></td><td></td><td>37</td><td>36</td><td>35</td><td>34</td><td>33</td></tr> <tr><td colspan="2">73</td><td></td><td></td><td></td><td>32</td><td>30</td><td></td><td>28</td><td>26</td><td></td><td></td><td>23</td><td></td><td></td><td></td><td></td><td>19</td><td>18</td><td></td></tr> <tr><td colspan="2"></td><td></td><td></td><td></td><td>16</td><td></td><td></td><td>12</td><td>10</td><td></td><td></td><td></td><td></td><td></td><td></td><td></td><td>3</td><td></td><td></td></tr> </table>		71		69				65	64	63			60			57	56	55	54	53	52	51		49				45	44	43	42	41				37	36	35	34	33	73					32	30		28	26			23					19	18							16			12	10								3						
	71		69				65	64	63			60			57	56	55	54	53																																																																								
52	51		49				45	44	43	42	41				37	36	35	34	33																																																																								
73					32	30		28	26			23					19	18																																																																									
					16			12	10								3																																																																										
AVAILABLE	NOT APPLICABLE	34566-3453	G	0	A	BLACK	<table border="1"> <tr><td></td><td></td><td></td><td></td><td></td><td></td><td></td><td></td><td></td><td></td><td></td><td>61</td><td></td><td></td><td></td><td></td><td></td><td></td><td></td><td></td></tr> <tr><td colspan="2">73</td><td></td><td></td><td></td><td></td><td></td><td></td><td></td><td></td><td></td><td></td><td></td><td></td><td></td><td>20</td><td></td><td></td><td></td><td></td></tr> <tr><td colspan="2"></td><td></td><td></td><td></td><td></td><td></td><td></td><td></td><td></td><td>9</td><td></td><td></td><td></td><td>5</td><td></td><td></td><td></td><td></td><td>1</td></tr> </table>												61									73															20															9				5					1																								
											61																																																																																
73															20																																																																												
										9				5					1																																																																								
AVAILABLE	NOT APPLICABLE	34566-3463	G	9	H	ST GRAY	<table border="1"> <tr><td></td><td></td><td></td><td></td><td></td><td></td><td></td><td></td><td></td><td></td><td></td><td></td><td></td><td></td><td></td><td></td><td></td><td></td><td></td><td>61</td></tr> <tr><td colspan="2">73</td><td></td><td></td><td></td><td></td><td></td><td></td><td></td><td></td><td></td><td></td><td></td><td></td><td></td><td></td><td></td><td></td><td></td><td></td></tr> <tr><td colspan="2"></td><td></td><td></td><td></td><td></td><td></td><td></td><td></td><td></td><td>9</td><td></td><td></td><td></td><td>5</td><td></td><td></td><td></td><td></td><td>1</td></tr> </table>																				61	73																														9				5					1																								
																			61																																																																								
73																																																																																											
										9				5					1																																																																								
AVAILABLE	NOT APPLICABLE	34566-3473	G	9	B	ST GRAY	<table border="1"> <tr><td>72</td><td>71</td><td>70</td><td>69</td><td>68</td><td>67</td><td>66</td><td>65</td><td>64</td><td></td><td>62</td><td>61</td><td>60</td><td>59</td><td>58</td><td>57</td><td>56</td><td>55</td><td>54</td><td></td></tr> <tr><td>52</td><td>51</td><td>50</td><td>49</td><td></td><td></td><td>46</td><td></td><td>44</td><td></td><td></td><td></td><td>40</td><td></td><td>38</td><td>37</td><td>36</td><td></td><td></td><td></td></tr> <tr><td colspan="2">73</td><td></td><td></td><td>32</td><td>31</td><td>30</td><td>29</td><td>28</td><td>27</td><td></td><td>25</td><td>24</td><td></td><td></td><td>21</td><td>20</td><td></td><td>18</td><td>17</td></tr> <tr><td colspan="2"></td><td></td><td></td><td>16</td><td>15</td><td>14</td><td>13</td><td>12</td><td></td><td>10</td><td>9</td><td></td><td>7</td><td>6</td><td>5</td><td>4</td><td>3</td><td>2</td><td></td></tr> </table>	72	71	70	69	68	67	66	65	64		62	61	60	59	58	57	56	55	54		52	51	50	49			46		44				40		38	37	36				73				32	31	30	29	28	27		25	24			21	20		18	17					16	15	14	13	12		10	9		7	6	5	4	3	2					
72	71	70	69	68	67	66	65	64		62	61	60	59	58	57	56	55	54																																																																									
52	51	50	49			46		44				40		38	37	36																																																																											
73				32	31	30	29	28	27		25	24			21	20		18	17																																																																								
				16	15	14	13	12		10	9		7	6	5	4	3	2																																																																									
AVAILABLE	NOT APPLICABLE	34566-3483	G	0	B	ST GRAY	<table border="1"> <tr><td>72</td><td>71</td><td>70</td><td>69</td><td>68</td><td>67</td><td>66</td><td>65</td><td></td><td></td><td></td><td>61</td><td>60</td><td></td><td></td><td>57</td><td>56</td><td>55</td><td>54</td><td></td></tr> <tr><td>52</td><td>51</td><td>50</td><td>49</td><td>48</td><td></td><td>46</td><td></td><td>44</td><td></td><td></td><td></td><td>40</td><td></td><td>38</td><td>37</td><td>36</td><td></td><td></td><td></td></tr> <tr><td colspan="2">73</td><td></td><td></td><td>32</td><td>31</td><td>30</td><td>29</td><td>28</td><td>27</td><td></td><td></td><td>24</td><td></td><td></td><td>21</td><td>20</td><td>19</td><td>18</td><td>17</td></tr> <tr><td colspan="2"></td><td></td><td></td><td>16</td><td>15</td><td>14</td><td>13</td><td>12</td><td>11</td><td>10</td><td>9</td><td></td><td>7</td><td>6</td><td>5</td><td>4</td><td></td><td>2</td><td></td></tr> </table>	72	71	70	69	68	67	66	65				61	60			57	56	55	54		52	51	50	49	48		46		44				40		38	37	36				73				32	31	30	29	28	27			24			21	20	19	18	17					16	15	14	13	12	11	10	9		7	6	5	4		2					
72	71	70	69	68	67	66	65				61	60			57	56	55	54																																																																									
52	51	50	49	48		46		44				40		38	37	36																																																																											
73				32	31	30	29	28	27			24			21	20	19	18	17																																																																								
				16	15	14	13	12	11	10	9		7	6	5	4		2																																																																									
AVAILABLE	NOT APPLICABLE	34566-3493	G	0	A	BLACK	<table border="1"> <tr><td>72</td><td></td><td>70</td><td></td><td></td><td>67</td><td>66</td><td>65</td><td></td><td></td><td></td><td>61</td><td></td><td></td><td>58</td><td>57</td><td></td><td>55</td><td>54</td><td></td></tr> <tr><td></td><td></td><td></td><td>49</td><td></td><td>47</td><td></td><td>45</td><td>44</td><td>43</td><td>42</td><td>41</td><td></td><td>39</td><td></td><td>37</td><td></td><td>35</td><td></td><td></td></tr> <tr><td colspan="2">73</td><td></td><td></td><td></td><td>32</td><td></td><td>30</td><td></td><td>27</td><td>26</td><td>25</td><td>24</td><td></td><td></td><td>21</td><td>20</td><td>19</td><td>18</td><td>17</td></tr> <tr><td colspan="2"></td><td></td><td></td><td></td><td>16</td><td>15</td><td></td><td>13</td><td></td><td>11</td><td>10</td><td>9</td><td>8</td><td></td><td>6</td><td>5</td><td></td><td>3</td><td>2</td><td>1</td></tr> </table>	72		70			67	66	65				61			58	57		55	54					49		47		45	44	43	42	41		39		37		35			73					32		30		27	26	25	24			21	20	19	18	17						16	15		13		11	10	9	8		6	5		3	2	1			
72		70			67	66	65				61			58	57		55	54																																																																									
			49		47		45	44	43	42	41		39		37		35																																																																										
73					32		30		27	26	25	24			21	20	19	18	17																																																																								
					16	15		13		11	10	9	8		6	5		3	2	1																																																																							
AVAILABLE	NOT APPLICABLE	34566-3513	G	0	A	BLACK	<table border="1"> <tr><td></td><td></td><td>70</td><td>69</td><td></td><td></td><td></td><td></td><td></td><td></td><td>63</td><td>62</td><td>61</td><td>60</td><td></td><td>58</td><td>57</td><td>56</td><td>55</td><td>54</td><td>53</td></tr> <tr><td>52</td><td>51</td><td></td><td>49</td><td></td><td></td><td></td><td></td><td>44</td><td>43</td><td>42</td><td>41</td><td></td><td></td><td></td><td></td><td>37</td><td>36</td><td></td><td>34</td><td></td></tr> <tr><td colspan="2">73</td><td></td><td></td><td></td><td>32</td><td></td><td></td><td>29</td><td>28</td><td>27</td><td>26</td><td></td><td></td><td></td><td></td><td></td><td></td><td>19</td><td>18</td><td></td></tr> <tr><td colspan="2"></td><td></td><td></td><td></td><td>16</td><td>15</td><td></td><td>13</td><td>12</td><td>11</td><td>10</td><td></td><td></td><td></td><td></td><td></td><td></td><td>3</td><td></td><td></td></tr> </table>			70	69							63	62	61	60		58	57	56	55	54	53	52	51		49					44	43	42	41					37	36		34		73					32			29	28	27	26							19	18							16	15		13	12	11	10							3		
		70	69							63	62	61	60		58	57	56	55	54	53																																																																							
52	51		49					44	43	42	41					37	36		34																																																																								
73					32			29	28	27	26							19	18																																																																								
					16	15		13	12	11	10							3																																																																									

PRE-RELEASE REFERENCE USE ONLY

THIS DRAWING CONTAINS INFORMATION THAT IS PROPRIETARY TO MOLEX ELECTRONIC TECHNOLOGIES, LLC AND SHOULD NOT BE USED WITHOUT WRITTEN PERMISSION

EC NO: 120093 DRWN: APODDATURI CHKD: REV APPR: VKOSHY	2017/07/13	2017/08/08	GENERAL TOLERANCES (UNLESS SPECIFIED)	DIMENSION UNITS	SCALE	
			ANGULAR TOL ± °	MM	1:1	
	4 PLACES ±	SKRAJENDRANA	DATE	2011/02/14		
	3 PLACES ±	CHKD BY	DATE			
	2 PLACES ±	MVANSLAMBROU	DATE	2011/02/14		
	1 PLACE ±	APPR BY	DATE			
0 PLACES ±	DRAWING SIZE		D	THIRD ANGLE PROJECTION		
DRAFT WHERE APPLICABLE MUST REMAIN WITHIN DIMENSIONS						


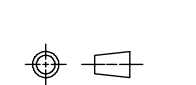
SERIES	MATERIAL NUMBER	CUSTOMER
34566	SEE BOM TABLE	GENERAL MARKET
DOCUMENT NUMBER	DOC TYPE	DOC PART SHEET NUMBER
SD-34566-001	PSD	000 45 OF 98





STATUS	GM PART #	MATERIAL #	WIRE DRESS OPTION	KEY OPTION ▽ E	COLOR (TPA) ▽ E	NUMBERS INDICATE CAVITIES OPEN FOR CIRCUITS ▽ Fp																																																																																								
AVAILABLE	NOT APPLICABLE	34566-3623	0	A	BLACK	<table border="1"> <tr><td>72</td><td></td><td>70</td><td>69</td><td></td><td></td><td></td><td></td><td></td><td></td><td>63</td><td>62</td><td>61</td><td>60</td><td>59</td><td>58</td><td>57</td><td>56</td><td>55</td><td>54</td><td>53</td></tr> <tr><td>52</td><td>51</td><td></td><td>49</td><td></td><td></td><td></td><td></td><td></td><td></td><td>44</td><td>43</td><td>42</td><td>41</td><td></td><td></td><td></td><td>37</td><td>36</td><td></td><td>34</td><td></td></tr> <tr><td colspan="2"></td><td colspan="2">73</td><td></td><td></td><td>32</td><td></td><td></td><td>29</td><td>28</td><td>27</td><td>26</td><td></td><td></td><td></td><td></td><td></td><td></td><td>19</td><td>18</td><td></td></tr> <tr><td colspan="2"></td><td colspan="2"></td><td></td><td></td><td>16</td><td>15</td><td></td><td>13</td><td>12</td><td>11</td><td>10</td><td></td><td>8</td><td></td><td></td><td></td><td></td><td>3</td><td></td><td></td></tr> </table>	72		70	69							63	62	61	60	59	58	57	56	55	54	53	52	51		49							44	43	42	41				37	36		34				73				32			29	28	27	26							19	18								16	15		13	12	11	10		8					3			
72		70	69							63	62	61	60	59	58	57	56	55	54	53																																																																										
52	51		49							44	43	42	41				37	36		34																																																																										
		73				32			29	28	27	26							19	18																																																																										
						16	15		13	12	11	10		8					3																																																																											
AVAILABLE	NOT APPLICABLE	34566-3633	0	C	BLUE	<table border="1"> <tr><td>72</td><td></td><td>70</td><td></td><td>68</td><td>67</td><td>66</td><td></td><td></td><td></td><td>63</td><td>62</td><td></td><td></td><td>59</td><td></td><td>57</td><td></td><td></td><td></td><td>53</td></tr> <tr><td>52</td><td>51</td><td></td><td></td><td>48</td><td>47</td><td>46</td><td></td><td></td><td>44</td><td></td><td></td><td></td><td></td><td>40</td><td>39</td><td>38</td><td>37</td><td>36</td><td></td><td>34</td><td>33</td></tr> <tr><td colspan="2"></td><td colspan="2">73</td><td></td><td></td><td>32</td><td></td><td>30</td><td></td><td></td><td></td><td>26</td><td>25</td><td>24</td><td>23</td><td>22</td><td>21</td><td></td><td></td><td></td><td></td></tr> <tr><td colspan="2"></td><td colspan="2"></td><td></td><td></td><td>15</td><td>14</td><td></td><td></td><td></td><td>10</td><td>9</td><td>8</td><td>7</td><td>6</td><td>5</td><td>4</td><td></td><td></td><td>2</td><td></td></tr> </table>	72		70		68	67	66				63	62			59		57				53	52	51			48	47	46			44					40	39	38	37	36		34	33			73				32		30				26	25	24	23	22	21											15	14				10	9	8	7	6	5	4			2		
72		70		68	67	66				63	62			59		57				53																																																																										
52	51			48	47	46			44					40	39	38	37	36		34	33																																																																									
		73				32		30				26	25	24	23	22	21																																																																													
						15	14				10	9	8	7	6	5	4			2																																																																										
AVAILABLE	NOT APPLICABLE	34566-3643	0	B	ST GRY	<table border="1"> <tr><td>72</td><td>71</td><td>70</td><td></td><td>68</td><td>67</td><td>66</td><td></td><td></td><td>64</td><td>63</td><td></td><td></td><td></td><td>59</td><td></td><td></td><td></td><td></td><td></td><td>53</td></tr> <tr><td>52</td><td>51</td><td>50</td><td></td><td>48</td><td>47</td><td>46</td><td></td><td></td><td></td><td></td><td></td><td></td><td></td><td>39</td><td></td><td></td><td></td><td></td><td></td><td>34</td><td>33</td></tr> <tr><td colspan="2"></td><td colspan="2">73</td><td></td><td></td><td>32</td><td>31</td><td>30</td><td>29</td><td>28</td><td>27</td><td>26</td><td>25</td><td>24</td><td></td><td></td><td></td><td></td><td></td><td></td><td>17</td></tr> <tr><td colspan="2"></td><td colspan="2"></td><td></td><td></td><td>16</td><td>15</td><td>14</td><td>13</td><td></td><td></td><td>10</td><td></td><td>8</td><td></td><td></td><td></td><td></td><td></td><td>2</td><td>1</td></tr> </table>	72	71	70		68	67	66			64	63				59						53	52	51	50		48	47	46								39						34	33			73				32	31	30	29	28	27	26	25	24							17							16	15	14	13			10		8						2	1	
72	71	70		68	67	66			64	63				59						53																																																																										
52	51	50		48	47	46								39						34	33																																																																									
		73				32	31	30	29	28	27	26	25	24							17																																																																									
						16	15	14	13			10		8						2	1																																																																									
AVAILABLE	NOT APPLICABLE	34566-3653	0	B	ST GRY	<table border="1"> <tr><td>72</td><td>71</td><td>70</td><td>69</td><td>68</td><td></td><td>66</td><td>65</td><td>64</td><td>63</td><td></td><td></td><td></td><td></td><td>59</td><td></td><td></td><td></td><td></td><td></td><td>53</td></tr> <tr><td>52</td><td>51</td><td>50</td><td>49</td><td>48</td><td>47</td><td>46</td><td>45</td><td>44</td><td>43</td><td></td><td></td><td></td><td></td><td>39</td><td></td><td></td><td></td><td></td><td></td><td>34</td><td>33</td></tr> <tr><td colspan="2"></td><td colspan="2">73</td><td></td><td></td><td>32</td><td></td><td>30</td><td>29</td><td>28</td><td>27</td><td>26</td><td>25</td><td>24</td><td></td><td></td><td></td><td></td><td></td><td></td><td>17</td></tr> <tr><td colspan="2"></td><td colspan="2"></td><td></td><td></td><td>16</td><td></td><td>14</td><td>13</td><td>12</td><td>11</td><td>10</td><td></td><td>8</td><td></td><td></td><td></td><td></td><td></td><td>3</td><td>2</td><td>1</td></tr> </table>	72	71	70	69	68		66	65	64	63					59						53	52	51	50	49	48	47	46	45	44	43					39						34	33			73				32		30	29	28	27	26	25	24							17							16		14	13	12	11	10		8						3	2	1
72	71	70	69	68		66	65	64	63					59						53																																																																										
52	51	50	49	48	47	46	45	44	43					39						34	33																																																																									
		73				32		30	29	28	27	26	25	24							17																																																																									
						16		14	13	12	11	10		8						3	2	1																																																																								
AVAILABLE	NOT APPLICABLE	34566-3663	0	A	BLACK	<table border="1"> <tr><td>72</td><td></td><td>70</td><td>69</td><td></td><td></td><td></td><td></td><td></td><td></td><td>63</td><td>62</td><td>61</td><td>60</td><td>59</td><td>58</td><td>57</td><td>56</td><td>55</td><td>54</td><td>53</td></tr> <tr><td>52</td><td>51</td><td></td><td>49</td><td></td><td></td><td></td><td></td><td></td><td></td><td>44</td><td>43</td><td>42</td><td>41</td><td></td><td></td><td></td><td>37</td><td>36</td><td></td><td>34</td><td></td></tr> <tr><td colspan="2"></td><td colspan="2">73</td><td></td><td></td><td>32</td><td></td><td></td><td>29</td><td>28</td><td>27</td><td>26</td><td></td><td></td><td></td><td></td><td></td><td></td><td>19</td><td>18</td><td></td></tr> <tr><td colspan="2"></td><td colspan="2"></td><td></td><td></td><td>16</td><td>15</td><td></td><td>13</td><td>12</td><td>11</td><td>10</td><td></td><td>7</td><td>6</td><td></td><td></td><td></td><td>3</td><td></td><td></td></tr> </table>	72		70	69							63	62	61	60	59	58	57	56	55	54	53	52	51		49							44	43	42	41				37	36		34				73				32			29	28	27	26							19	18								16	15		13	12	11	10		7	6				3			
72		70	69							63	62	61	60	59	58	57	56	55	54	53																																																																										
52	51		49							44	43	42	41				37	36		34																																																																										
		73				32			29	28	27	26							19	18																																																																										
						16	15		13	12	11	10		7	6				3																																																																											
AVAILABLE	NOT APPLICABLE	34566-3673	9	C	BLUE	<table border="1"> <tr><td></td><td>71</td><td>70</td><td>69</td><td>68</td><td>67</td><td></td><td>65</td><td></td><td>63</td><td>62</td><td>61</td><td></td><td>59</td><td>58</td><td>57</td><td>56</td><td>55</td><td>54</td><td>53</td></tr> <tr><td></td><td>51</td><td>50</td><td>49</td><td>48</td><td></td><td></td><td>45</td><td>44</td><td>43</td><td>42</td><td>41</td><td>40</td><td>39</td><td>38</td><td></td><td>36</td><td>35</td><td>34</td><td>33</td></tr> <tr><td colspan="2"></td><td colspan="2">73</td><td></td><td></td><td>31</td><td>30</td><td>29</td><td>28</td><td>27</td><td>26</td><td></td><td></td><td>22</td><td></td><td>20</td><td>19</td><td>18</td><td>17</td></tr> <tr><td colspan="2"></td><td colspan="2"></td><td></td><td></td><td>16</td><td>15</td><td>14</td><td></td><td></td><td></td><td>9</td><td>7</td><td>6</td><td>5</td><td></td><td>3</td><td>2</td><td>1</td></tr> </table>		71	70	69	68	67		65		63	62	61		59	58	57	56	55	54	53		51	50	49	48			45	44	43	42	41	40	39	38		36	35	34	33			73				31	30	29	28	27	26			22		20	19	18	17							16	15	14				9	7	6	5		3	2	1								
	71	70	69	68	67		65		63	62	61		59	58	57	56	55	54	53																																																																											
	51	50	49	48			45	44	43	42	41	40	39	38		36	35	34	33																																																																											
		73				31	30	29	28	27	26			22		20	19	18	17																																																																											
						16	15	14				9	7	6	5		3	2	1																																																																											
AVAILABLE	NOT APPLICABLE	34566-3683	9	H	ST GRY	<table border="1"> <tr><td></td><td></td><td></td><td></td><td></td><td></td><td></td><td></td><td></td><td></td><td></td><td></td><td></td><td></td><td></td><td></td><td></td><td></td><td></td><td></td><td></td><td>61</td></tr> <tr><td></td><td></td><td></td><td></td><td></td><td></td><td></td><td></td><td></td><td></td><td>32</td><td></td><td></td><td></td><td></td><td></td><td></td><td></td><td></td><td></td><td></td><td></td><td></td></tr> <tr><td>20</td><td></td><td></td><td></td><td></td><td>15</td><td></td><td></td><td></td><td></td><td></td><td></td><td>9</td><td></td><td></td><td></td><td>5</td><td></td><td></td><td></td><td></td><td>1</td></tr> </table>																						61											32													20					15							9				5					1																					
																					61																																																																									
										32																																																																																				
20					15							9				5					1																																																																									
AVAILABLE	NOT APPLICABLE	34566-3693	0	C	BLUE	<table border="1"> <tr><td>72</td><td></td><td>70</td><td></td><td>68</td><td>67</td><td>66</td><td></td><td></td><td></td><td>63</td><td>62</td><td></td><td></td><td>59</td><td></td><td>57</td><td></td><td></td><td></td><td>53</td></tr> <tr><td>52</td><td>51</td><td></td><td></td><td>48</td><td>47</td><td>46</td><td></td><td></td><td>44</td><td></td><td>42</td><td></td><td></td><td>40</td><td>39</td><td>38</td><td></td><td></td><td></td><td>34</td><td>33</td></tr> <tr><td colspan="2"></td><td colspan="2">73</td><td></td><td></td><td>32</td><td></td><td>30</td><td></td><td></td><td>27</td><td>26</td><td>25</td><td></td><td></td><td>22</td><td>21</td><td></td><td></td><td></td><td></td></tr> <tr><td colspan="2"></td><td colspan="2"></td><td></td><td></td><td>15</td><td>14</td><td></td><td></td><td></td><td>10</td><td>9</td><td></td><td></td><td>6</td><td>5</td><td>4</td><td></td><td></td><td></td><td></td></tr> </table>	72		70		68	67	66				63	62			59		57				53	52	51			48	47	46			44		42			40	39	38				34	33			73				32		30			27	26	25			22	21											15	14				10	9			6	5	4					
72		70		68	67	66				63	62			59		57				53																																																																										
52	51			48	47	46			44		42			40	39	38				34	33																																																																									
		73				32		30			27	26	25			22	21																																																																													
						15	14				10	9			6	5	4																																																																													
AVAILABLE	NOT APPLICABLE	34566-3713	0	C	BLUE	<table border="1"> <tr><td>72</td><td></td><td>70</td><td></td><td>68</td><td>67</td><td>66</td><td></td><td></td><td></td><td>63</td><td>62</td><td></td><td></td><td>59</td><td></td><td>57</td><td></td><td></td><td></td><td>53</td></tr> <tr><td>52</td><td>51</td><td></td><td></td><td>48</td><td>47</td><td>46</td><td></td><td></td><td>44</td><td></td><td>42</td><td></td><td></td><td>40</td><td>39</td><td></td><td></td><td></td><td></td><td>34</td><td>33</td></tr> <tr><td colspan="2"></td><td colspan="2">73</td><td></td><td></td><td>32</td><td></td><td>30</td><td></td><td></td><td>27</td><td>26</td><td>25</td><td></td><td></td><td>22</td><td>21</td><td></td><td></td><td></td><td></td></tr> <tr><td colspan="2"></td><td colspan="2"></td><td></td><td></td><td>15</td><td>14</td><td></td><td></td><td></td><td>10</td><td>9</td><td></td><td></td><td>6</td><td>5</td><td>4</td><td></td><td></td><td></td><td></td></tr> </table>	72		70		68	67	66				63	62			59		57				53	52	51			48	47	46			44		42			40	39					34	33			73				32		30			27	26	25			22	21											15	14				10	9			6	5	4					
72		70		68	67	66				63	62			59		57				53																																																																										
52	51			48	47	46			44		42			40	39					34	33																																																																									
		73				32		30			27	26	25			22	21																																																																													
						15	14				10	9			6	5	4																																																																													


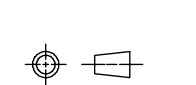
PRE-RELEASE  
REFERENCE  
USE ONLY

THIS DRAWING CONTAINS INFORMATION THAT IS PROPRIETARY TO MOLEX ELECTRONIC TECHNOLOGIES, LLC AND SHOULD NOT BE USED WITHOUT WRITTEN PERMISSION										
EC NO: 120093 DRWN: APODDATURI CHKD: REV APPR: VKOSHY	2017/07/13	2017/08/08	GENERAL TOLERANCES (UNLESS SPECIFIED)		DIMENSION UNITS	SCALE				
			ANGULAR TOL ± °		MM	1:1				
	4 PLACES ±		SKRAJENDRANA		DRWN BY	DATE				
	3 PLACES ±		MVANSLAMBROU		CHKD BY	DATE				
	2 PLACES ±				APPR BY	DATE				
1 PLACE ±						DRAWING SIZE		THIRD ANGLE PROJECTION		
0 PLACES ±				DRAFT WHERE APPLICABLE MUST REMAIN WITHIN DIMENSIONS		D				
G55		SD-34566-001		PSD		000		47 OF 98		

STATUS	GM PART #	MATERIAL #	WIRE DRESS OPTION	KEY OPTION	COLOR (TPA)	NUMBERS INDICATE CAVITIES OPEN FOR CIRCUITS																																																																																				
AVAILABLE	NOT APPLICABLE	34566-3723	0	A	BLACK	<table border="1"> <tr><td></td><td></td><td>70</td><td>69</td><td></td><td></td><td></td><td></td><td></td><td></td><td>63</td><td>62</td><td>61</td><td></td><td></td><td>58</td><td>57</td><td>56</td><td>55</td><td>54</td><td>53</td></tr> <tr><td>52</td><td>51</td><td>50</td><td>49</td><td></td><td></td><td></td><td></td><td></td><td>44</td><td>43</td><td>42</td><td>41</td><td></td><td></td><td></td><td>37</td><td>36</td><td></td><td>34</td><td></td></tr> <tr><td colspan="2"></td><td colspan="2">73</td><td>32</td><td></td><td></td><td>29</td><td>28</td><td>27</td><td>26</td><td></td><td></td><td></td><td></td><td></td><td></td><td></td><td>19</td><td>18</td><td></td></tr> <tr><td colspan="2"></td><td colspan="2"></td><td>16</td><td>15</td><td>14</td><td>13</td><td>12</td><td>11</td><td>10</td><td></td><td></td><td></td><td></td><td></td><td></td><td></td><td>3</td><td></td><td></td></tr> </table>			70	69							63	62	61			58	57	56	55	54	53	52	51	50	49						44	43	42	41				37	36		34				73		32			29	28	27	26								19	18						16	15	14	13	12	11	10								3		
		70	69							63	62	61			58	57	56	55	54	53																																																																						
52	51	50	49						44	43	42	41				37	36		34																																																																							
		73		32			29	28	27	26								19	18																																																																							
				16	15	14	13	12	11	10								3																																																																								
AVAILABLE	NOT APPLICABLE	34566-3733	0	B	ST GRY	<table border="1"> <tr><td>72</td><td>71</td><td>70</td><td></td><td>68</td><td>67</td><td>66</td><td></td><td></td><td></td><td>62</td><td>61</td><td>60</td><td>59</td><td>58</td><td>57</td><td>56</td><td>55</td><td>54</td><td>53</td></tr> <tr><td>52</td><td>51</td><td>50</td><td></td><td>48</td><td>47</td><td>46</td><td></td><td></td><td></td><td>42</td><td>41</td><td>40</td><td>39</td><td>38</td><td>37</td><td>36</td><td>35</td><td>34</td><td>33</td></tr> <tr><td colspan="2"></td><td colspan="2">73</td><td>32</td><td>31</td><td>30</td><td>29</td><td>28</td><td>27</td><td>26</td><td>25</td><td>24</td><td>23</td><td></td><td></td><td></td><td></td><td></td><td></td></tr> <tr><td colspan="2"></td><td colspan="2"></td><td>16</td><td>15</td><td>14</td><td>13</td><td></td><td></td><td>10</td><td>9</td><td>8</td><td></td><td></td><td></td><td></td><td></td><td></td><td></td></tr> </table>	72	71	70		68	67	66				62	61	60	59	58	57	56	55	54	53	52	51	50		48	47	46				42	41	40	39	38	37	36	35	34	33			73		32	31	30	29	28	27	26	25	24	23											16	15	14	13			10	9	8											
72	71	70		68	67	66				62	61	60	59	58	57	56	55	54	53																																																																							
52	51	50		48	47	46				42	41	40	39	38	37	36	35	34	33																																																																							
		73		32	31	30	29	28	27	26	25	24	23																																																																													
				16	15	14	13			10	9	8																																																																														
AVAILABLE	NOT APPLICABLE	34566-3743	0	C	BLUE	<table border="1"> <tr><td>72</td><td></td><td>70</td><td></td><td>68</td><td></td><td>66</td><td></td><td></td><td>63</td><td>62</td><td></td><td></td><td>59</td><td></td><td>57</td><td></td><td></td><td></td><td>53</td></tr> <tr><td>52</td><td>51</td><td></td><td></td><td>48</td><td>47</td><td>46</td><td></td><td>44</td><td></td><td>42</td><td></td><td>40</td><td>39</td><td>38</td><td></td><td></td><td></td><td>34</td><td>33</td></tr> <tr><td colspan="2"></td><td colspan="2">73</td><td>32</td><td></td><td>30</td><td></td><td></td><td>27</td><td>26</td><td>25</td><td></td><td></td><td>22</td><td>21</td><td></td><td></td><td></td><td></td></tr> <tr><td colspan="2"></td><td colspan="2"></td><td></td><td>15</td><td>14</td><td></td><td></td><td></td><td>10</td><td>9</td><td></td><td></td><td>6</td><td>5</td><td>4</td><td></td><td></td><td></td></tr> </table>	72		70		68		66			63	62			59		57				53	52	51			48	47	46		44		42		40	39	38				34	33			73		32		30			27	26	25			22	21										15	14				10	9			6	5	4							
72		70		68		66			63	62			59		57				53																																																																							
52	51			48	47	46		44		42		40	39	38				34	33																																																																							
		73		32		30			27	26	25			22	21																																																																											
					15	14				10	9			6	5	4																																																																										
AVAILABLE	NOT APPLICABLE	34566-3753	0	C	BLUE	<table border="1"> <tr><td>72</td><td></td><td>70</td><td></td><td>68</td><td></td><td>66</td><td></td><td></td><td>63</td><td>62</td><td></td><td></td><td>59</td><td></td><td>57</td><td></td><td></td><td></td><td>53</td></tr> <tr><td>52</td><td>51</td><td></td><td></td><td>48</td><td>47</td><td>46</td><td></td><td>44</td><td></td><td>42</td><td></td><td>40</td><td>39</td><td></td><td></td><td></td><td></td><td>34</td><td>33</td></tr> <tr><td colspan="2"></td><td colspan="2">73</td><td>32</td><td></td><td>30</td><td></td><td></td><td>27</td><td>26</td><td>25</td><td></td><td></td><td>22</td><td>21</td><td></td><td></td><td></td><td></td></tr> <tr><td colspan="2"></td><td colspan="2"></td><td></td><td>15</td><td>14</td><td></td><td></td><td></td><td>10</td><td>9</td><td></td><td></td><td>6</td><td>5</td><td>4</td><td></td><td></td><td></td></tr> </table>	72		70		68		66			63	62			59		57				53	52	51			48	47	46		44		42		40	39					34	33			73		32		30			27	26	25			22	21										15	14				10	9			6	5	4							
72		70		68		66			63	62			59		57				53																																																																							
52	51			48	47	46		44		42		40	39					34	33																																																																							
		73		32		30			27	26	25			22	21																																																																											
					15	14				10	9			6	5	4																																																																										
AVAILABLE	NOT APPLICABLE	34566-3763	0	C	BLUE	<table border="1"> <tr><td>72</td><td></td><td>70</td><td></td><td>68</td><td></td><td>66</td><td></td><td></td><td>63</td><td>62</td><td></td><td></td><td>59</td><td></td><td>57</td><td>56</td><td>55</td><td></td><td>53</td></tr> <tr><td>52</td><td>51</td><td></td><td></td><td>48</td><td>47</td><td>46</td><td></td><td>44</td><td></td><td>42</td><td></td><td>40</td><td>39</td><td></td><td></td><td></td><td></td><td>34</td><td>33</td></tr> <tr><td colspan="2"></td><td colspan="2">73</td><td>32</td><td></td><td>30</td><td></td><td></td><td>27</td><td>26</td><td>25</td><td></td><td></td><td>22</td><td>21</td><td></td><td></td><td></td><td></td></tr> <tr><td colspan="2"></td><td colspan="2"></td><td></td><td>15</td><td>14</td><td></td><td></td><td></td><td>10</td><td>9</td><td></td><td></td><td>6</td><td>5</td><td>4</td><td></td><td></td><td></td></tr> </table>	72		70		68		66			63	62			59		57	56	55		53	52	51			48	47	46		44		42		40	39					34	33			73		32		30			27	26	25			22	21										15	14				10	9			6	5	4							
72		70		68		66			63	62			59		57	56	55		53																																																																							
52	51			48	47	46		44		42		40	39					34	33																																																																							
		73		32		30			27	26	25			22	21																																																																											
					15	14				10	9			6	5	4																																																																										
AVAILABLE	NOT APPLICABLE	34566-3773	0	A	BLACK	<table border="1"> <tr><td></td><td></td><td>70</td><td>69</td><td></td><td></td><td></td><td></td><td></td><td></td><td>63</td><td></td><td></td><td></td><td></td><td>58</td><td></td><td>56</td><td>55</td><td>54</td><td>53</td></tr> <tr><td>52</td><td>51</td><td>50</td><td>49</td><td></td><td></td><td></td><td></td><td></td><td>44</td><td>43</td><td>42</td><td>41</td><td></td><td>39</td><td></td><td></td><td>36</td><td></td><td>34</td><td></td></tr> <tr><td colspan="2"></td><td colspan="2">73</td><td>32</td><td></td><td></td><td></td><td>28</td><td>26</td><td></td><td></td><td></td><td></td><td></td><td></td><td></td><td></td><td>19</td><td>18</td><td></td></tr> <tr><td colspan="2"></td><td colspan="2"></td><td>16</td><td>15</td><td>14</td><td></td><td>12</td><td>10</td><td></td><td></td><td></td><td></td><td></td><td></td><td></td><td></td><td>3</td><td></td><td></td></tr> </table>			70	69							63					58		56	55	54	53	52	51	50	49						44	43	42	41		39			36		34				73		32				28	26									19	18						16	15	14		12	10									3		
		70	69							63					58		56	55	54	53																																																																						
52	51	50	49						44	43	42	41		39			36		34																																																																							
		73		32				28	26									19	18																																																																							
				16	15	14		12	10									3																																																																								
AVAILABLE	NOT APPLICABLE	34566-3783	0	A	BLACK	<table border="1"> <tr><td></td><td></td><td>70</td><td>69</td><td></td><td></td><td></td><td></td><td></td><td></td><td>63</td><td></td><td></td><td></td><td></td><td>58</td><td></td><td>56</td><td>55</td><td>54</td><td>53</td></tr> <tr><td>52</td><td>51</td><td>50</td><td>49</td><td></td><td></td><td></td><td></td><td></td><td>44</td><td>43</td><td>42</td><td>41</td><td></td><td>39</td><td></td><td></td><td>36</td><td></td><td>34</td><td></td></tr> <tr><td colspan="2"></td><td colspan="2">73</td><td>32</td><td></td><td></td><td></td><td>28</td><td>26</td><td></td><td></td><td></td><td></td><td></td><td></td><td></td><td></td><td>19</td><td>18</td><td>17</td></tr> <tr><td colspan="2"></td><td colspan="2"></td><td>16</td><td>15</td><td>14</td><td></td><td>12</td><td>10</td><td></td><td></td><td></td><td></td><td></td><td></td><td></td><td></td><td>3</td><td>2</td><td>1</td></tr> </table>			70	69							63					58		56	55	54	53	52	51	50	49						44	43	42	41		39			36		34				73		32				28	26									19	18	17					16	15	14		12	10									3	2	1
		70	69							63					58		56	55	54	53																																																																						
52	51	50	49						44	43	42	41		39			36		34																																																																							
		73		32				28	26									19	18	17																																																																						
				16	15	14		12	10									3	2	1																																																																						
AVAILABLE	NOT APPLICABLE	34566-3793	0	A	BLACK	<table border="1"> <tr><td></td><td>71</td><td>70</td><td></td><td></td><td></td><td></td><td></td><td></td><td>64</td><td>63</td><td></td><td></td><td>60</td><td></td><td>58</td><td>57</td><td>56</td><td>55</td><td>54</td><td>53</td></tr> <tr><td>52</td><td>51</td><td></td><td>49</td><td></td><td></td><td></td><td></td><td>45</td><td>44</td><td>43</td><td>42</td><td>41</td><td></td><td></td><td>37</td><td>36</td><td></td><td>34</td><td></td><td></td></tr> <tr><td colspan="2"></td><td colspan="2">73</td><td>32</td><td></td><td>30</td><td></td><td>28</td><td>26</td><td></td><td></td><td></td><td>23</td><td>21</td><td></td><td></td><td></td><td>19</td><td>18</td><td></td></tr> <tr><td colspan="2"></td><td colspan="2"></td><td>16</td><td>15</td><td></td><td></td><td>12</td><td>10</td><td></td><td></td><td>8</td><td></td><td>5</td><td></td><td></td><td></td><td>3</td><td></td><td></td></tr> </table>		71	70							64	63			60		58	57	56	55	54	53	52	51		49					45	44	43	42	41			37	36		34					73		32		30		28	26				23	21				19	18						16	15			12	10			8		5				3		
	71	70							64	63			60		58	57	56	55	54	53																																																																						
52	51		49					45	44	43	42	41			37	36		34																																																																								
		73		32		30		28	26				23	21				19	18																																																																							
				16	15			12	10			8		5				3																																																																								
AVAILABLE	NOT APPLICABLE	34566-3813	0	C	BLUE	<table border="1"> <tr><td>72</td><td></td><td>70</td><td></td><td>68</td><td></td><td>66</td><td></td><td></td><td>63</td><td>62</td><td></td><td></td><td>59</td><td></td><td>57</td><td></td><td></td><td></td><td></td><td>53</td></tr> <tr><td>52</td><td>51</td><td></td><td></td><td>48</td><td>47</td><td>46</td><td></td><td>44</td><td></td><td>42</td><td></td><td>40</td><td>39</td><td>38</td><td>37</td><td>36</td><td></td><td></td><td>34</td><td>33</td></tr> <tr><td colspan="2"></td><td colspan="2">73</td><td>32</td><td></td><td>30</td><td></td><td></td><td>26</td><td>25</td><td>24</td><td></td><td>22</td><td>21</td><td>20</td><td></td><td></td><td></td><td></td><td></td></tr> <tr><td colspan="2"></td><td colspan="2"></td><td></td><td>15</td><td>14</td><td>13</td><td></td><td>10</td><td>9</td><td>8</td><td></td><td>6</td><td>5</td><td>4</td><td></td><td></td><td></td><td>2</td><td></td></tr> </table>	72		70		68		66			63	62			59		57					53	52	51			48	47	46		44		42		40	39	38	37	36			34	33			73		32		30			26	25	24		22	21	20											15	14	13		10	9	8		6	5	4				2	
72		70		68		66			63	62			59		57					53																																																																						
52	51			48	47	46		44		42		40	39	38	37	36			34	33																																																																						
		73		32		30			26	25	24		22	21	20																																																																											
					15	14	13		10	9	8		6	5	4				2																																																																							


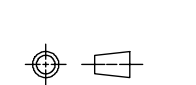
PRE-RELEASE  
REFERENCE  
USE ONLY

THIS DRAWING CONTAINS INFORMATION THAT IS PROPRIETARY TO MOLEX ELECTRONIC TECHNOLOGIES, LLC AND SHOULD NOT BE USED WITHOUT WRITTEN PERMISSION

EC NO: 120083 DRWN: APODDATURI CHKD: REV APPR: VKOSHY	2017/07/13	GENERAL TOLERANCES (UNLESS SPECIFIED)	DIMENSION UNITS	SCALE		
	2017/08/08	ANGULAR TOL ± °	MM	1:1		
		4 PLACES ±	DRWN BY	DATE		SKRAJENDRANA 2011/02/14
		3 PLACES ±	CHKD BY	DATE		MVANSLAMBROU 2011/02/14
		2 PLACES ±	APPR BY	DATE		
	1 PLACE ±					
	0 PLACES ±					
	DRAFT WHERE APPLICABLE MUST REMAIN WITHIN DIMENSIONS	DRAWING SIZE	THIRD ANGLE PROJECTION			
		D				
G55		SERIES	MATERIAL NUMBER	CUSTOMER		
		34566	SEE BOM TABLE	GENERAL MARKET		
		DOCUMENT NUMBER	DOC TYPE	DOC PART	SHEET NUMBER	
		SD-34566-001	PSD	000	48 OF 98	

STATUS	GM PART #	MATERIAL #	WIRE DRESS OPTION	KEY OPTION	COLOR (TPA)	NUMBERS INDICATE CAVITIES OPEN FOR CIRCUITS																																																																																							
AVAILABLE	NOT APPLICABLE	34566-3823	0	A	BLACK	<table border="1"> <tr><td></td><td></td><td>70</td><td>69</td><td></td><td></td><td></td><td></td><td></td><td></td><td>63</td><td>61</td><td></td><td></td><td>58</td><td>57</td><td>56</td><td>55</td><td>54</td><td>53</td></tr> <tr><td>52</td><td>51</td><td></td><td>49</td><td></td><td></td><td></td><td></td><td></td><td>44</td><td>43</td><td>41</td><td></td><td></td><td></td><td>37</td><td>36</td><td></td><td></td><td>34</td></tr> <tr><td colspan="2">73</td><td></td><td>32</td><td></td><td></td><td></td><td></td><td></td><td>27</td><td>26</td><td></td><td></td><td></td><td></td><td></td><td></td><td></td><td>19</td><td>18</td></tr> <tr><td colspan="2"></td><td></td><td>16</td><td>15</td><td></td><td></td><td></td><td></td><td>11</td><td>10</td><td></td><td></td><td></td><td></td><td></td><td></td><td></td><td>3</td><td></td></tr> </table>			70	69							63	61			58	57	56	55	54	53	52	51		49						44	43	41				37	36			34	73			32						27	26								19	18				16	15					11	10								3								
		70	69							63	61			58	57	56	55	54	53																																																																										
52	51		49						44	43	41				37	36			34																																																																										
73			32						27	26								19	18																																																																										
			16	15					11	10								3																																																																											
AVAILABLE	NOT APPLICABLE	34566-3833	0	A	BLACK	<table border="1"> <tr><td></td><td></td><td>70</td><td>69</td><td></td><td></td><td></td><td></td><td></td><td></td><td>63</td><td>62</td><td>61</td><td></td><td></td><td></td><td>57</td><td>56</td><td>55</td><td>54</td><td>53</td></tr> <tr><td>52</td><td>51</td><td></td><td>49</td><td></td><td></td><td></td><td></td><td></td><td>44</td><td>43</td><td>42</td><td>41</td><td></td><td></td><td></td><td>37</td><td>36</td><td></td><td></td><td>34</td></tr> <tr><td colspan="2">73</td><td></td><td>32</td><td></td><td></td><td></td><td></td><td>29</td><td>28</td><td>27</td><td>26</td><td></td><td></td><td>23</td><td></td><td></td><td></td><td></td><td>19</td><td>18</td></tr> <tr><td colspan="2"></td><td></td><td>16</td><td>15</td><td></td><td></td><td></td><td>13</td><td>12</td><td>11</td><td>10</td><td></td><td>8</td><td></td><td></td><td></td><td></td><td></td><td>3</td><td></td></tr> </table>			70	69							63	62	61				57	56	55	54	53	52	51		49						44	43	42	41				37	36			34	73			32					29	28	27	26			23					19	18				16	15				13	12	11	10		8						3				
		70	69							63	62	61				57	56	55	54	53																																																																									
52	51		49						44	43	42	41				37	36			34																																																																									
73			32					29	28	27	26			23					19	18																																																																									
			16	15				13	12	11	10		8						3																																																																										
AVAILABLE	NOT APPLICABLE	34566-3843	0	A	BLACK	<table border="1"> <tr><td>72</td><td>71</td><td>70</td><td>69</td><td>68</td><td>67</td><td>66</td><td></td><td></td><td>64</td><td>63</td><td>62</td><td></td><td>60</td><td>59</td><td></td><td></td><td></td><td>55</td><td>54</td><td>53</td></tr> <tr><td>52</td><td></td><td></td><td>49</td><td>48</td><td></td><td></td><td></td><td></td><td>44</td><td>43</td><td>42</td><td>41</td><td>40</td><td>39</td><td></td><td></td><td></td><td></td><td>35</td><td>34</td><td>33</td></tr> <tr><td colspan="2">73</td><td></td><td>32</td><td></td><td></td><td></td><td></td><td>29</td><td>28</td><td>27</td><td></td><td>25</td><td>24</td><td>23</td><td></td><td></td><td></td><td></td><td>19</td><td>18</td><td>17</td></tr> <tr><td colspan="2"></td><td></td><td>16</td><td></td><td></td><td></td><td></td><td>13</td><td>12</td><td>11</td><td></td><td>9</td><td>8</td><td>7</td><td>6</td><td>5</td><td>4</td><td>3</td><td>2</td><td>1</td><td></td></tr> </table>	72	71	70	69	68	67	66			64	63	62		60	59				55	54	53	52			49	48					44	43	42	41	40	39					35	34	33	73			32					29	28	27		25	24	23					19	18	17				16					13	12	11		9	8	7	6	5	4	3	2	1	
72	71	70	69	68	67	66			64	63	62		60	59				55	54	53																																																																									
52			49	48					44	43	42	41	40	39					35	34	33																																																																								
73			32					29	28	27		25	24	23					19	18	17																																																																								
			16					13	12	11		9	8	7	6	5	4	3	2	1																																																																									
AVAILABLE	NOT APPLICABLE	34566-3853	0	A	BLACK	<table border="1"> <tr><td>72</td><td>71</td><td>70</td><td>69</td><td>68</td><td>67</td><td>66</td><td>65</td><td>64</td><td>63</td><td>62</td><td></td><td>60</td><td>59</td><td></td><td></td><td></td><td></td><td>55</td><td>54</td><td>53</td></tr> <tr><td>52</td><td></td><td></td><td>49</td><td>48</td><td></td><td></td><td></td><td>45</td><td>44</td><td>43</td><td>42</td><td>41</td><td>40</td><td>39</td><td></td><td></td><td></td><td></td><td>35</td><td>34</td><td>33</td></tr> <tr><td colspan="2">73</td><td></td><td>32</td><td></td><td></td><td></td><td></td><td>29</td><td>28</td><td>27</td><td></td><td>25</td><td>24</td><td>23</td><td></td><td></td><td></td><td></td><td>19</td><td>18</td><td>17</td></tr> <tr><td colspan="2"></td><td></td><td>16</td><td></td><td></td><td></td><td></td><td>13</td><td>12</td><td>11</td><td></td><td>9</td><td>8</td><td>7</td><td>6</td><td>5</td><td>4</td><td>3</td><td>2</td><td>1</td><td></td></tr> </table>	72	71	70	69	68	67	66	65	64	63	62		60	59					55	54	53	52			49	48				45	44	43	42	41	40	39					35	34	33	73			32					29	28	27		25	24	23					19	18	17				16					13	12	11		9	8	7	6	5	4	3	2	1	
72	71	70	69	68	67	66	65	64	63	62		60	59					55	54	53																																																																									
52			49	48				45	44	43	42	41	40	39					35	34	33																																																																								
73			32					29	28	27		25	24	23					19	18	17																																																																								
			16					13	12	11		9	8	7	6	5	4	3	2	1																																																																									
AVAILABLE	NOT APPLICABLE	34566-3863	0	B	ST GRY	<table border="1"> <tr><td>72</td><td>71</td><td>70</td><td></td><td>68</td><td>67</td><td>66</td><td></td><td></td><td></td><td>62</td><td>61</td><td>60</td><td>59</td><td>58</td><td>57</td><td>56</td><td>55</td><td>54</td><td>53</td></tr> <tr><td>52</td><td>51</td><td>50</td><td></td><td>48</td><td>47</td><td>46</td><td></td><td></td><td></td><td>42</td><td>41</td><td>40</td><td>39</td><td>38</td><td>37</td><td>36</td><td>35</td><td>34</td><td>33</td></tr> <tr><td colspan="2">73</td><td></td><td></td><td>32</td><td>31</td><td>30</td><td>29</td><td>28</td><td>27</td><td>26</td><td>25</td><td>24</td><td></td><td></td><td></td><td></td><td></td><td></td><td>17</td></tr> <tr><td colspan="2"></td><td></td><td></td><td>16</td><td>15</td><td>14</td><td>13</td><td></td><td></td><td>10</td><td></td><td>8</td><td></td><td></td><td></td><td></td><td></td><td></td><td>2</td><td>1</td></tr> </table>	72	71	70		68	67	66				62	61	60	59	58	57	56	55	54	53	52	51	50		48	47	46				42	41	40	39	38	37	36	35	34	33	73				32	31	30	29	28	27	26	25	24							17					16	15	14	13			10		8							2	1						
72	71	70		68	67	66				62	61	60	59	58	57	56	55	54	53																																																																										
52	51	50		48	47	46				42	41	40	39	38	37	36	35	34	33																																																																										
73				32	31	30	29	28	27	26	25	24							17																																																																										
				16	15	14	13			10		8							2	1																																																																									
AVAILABLE	NOT APPLICABLE	34566-3873	0	B	ST GRY	<table border="1"> <tr><td></td><td></td><td></td><td></td><td></td><td></td><td></td><td></td><td></td><td></td><td>63</td><td></td><td></td><td></td><td>59</td><td>58</td><td>57</td><td>56</td><td>55</td><td></td><td></td></tr> <tr><td></td><td></td><td>50</td><td>49</td><td>48</td><td></td><td>46</td><td>45</td><td></td><td></td><td>43</td><td></td><td></td><td></td><td>39</td><td>38</td><td>37</td><td>36</td><td>35</td><td>34</td><td></td></tr> <tr><td colspan="2">73</td><td></td><td></td><td></td><td></td><td></td><td></td><td>29</td><td>27</td><td></td><td></td><td></td><td></td><td>23</td><td>22</td><td>21</td><td></td><td></td><td></td><td>18</td></tr> <tr><td colspan="2"></td><td></td><td></td><td></td><td></td><td>16</td><td>15</td><td>14</td><td>13</td><td></td><td></td><td></td><td></td><td>7</td><td>6</td><td>5</td><td>4</td><td>3</td><td></td><td></td></tr> </table>											63				59	58	57	56	55					50	49	48		46	45			43				39	38	37	36	35	34		73								29	27					23	22	21				18							16	15	14	13					7	6	5	4	3					
										63				59	58	57	56	55																																																																											
		50	49	48		46	45			43				39	38	37	36	35	34																																																																										
73								29	27					23	22	21				18																																																																									
						16	15	14	13					7	6	5	4	3																																																																											
AVAILABLE	NOT APPLICABLE	34566-3883	0	B	ST GRY	<table border="1"> <tr><td></td><td></td><td></td><td></td><td></td><td>67</td><td>66</td><td></td><td></td><td></td><td></td><td></td><td></td><td></td><td>59</td><td>58</td><td>57</td><td>56</td><td>55</td><td></td><td>53</td></tr> <tr><td></td><td></td><td>50</td><td>49</td><td>48</td><td></td><td></td><td>45</td><td></td><td></td><td></td><td></td><td></td><td></td><td>39</td><td>38</td><td>37</td><td>36</td><td>35</td><td>34</td><td>33</td></tr> <tr><td colspan="2">73</td><td></td><td></td><td></td><td></td><td></td><td></td><td>29</td><td></td><td></td><td></td><td></td><td></td><td>23</td><td>22</td><td>21</td><td></td><td></td><td></td><td>18</td></tr> <tr><td colspan="2"></td><td></td><td></td><td></td><td></td><td>16</td><td>15</td><td>14</td><td>13</td><td></td><td></td><td></td><td></td><td>8</td><td>7</td><td>6</td><td>5</td><td>4</td><td>3</td><td></td></tr> </table>						67	66								59	58	57	56	55		53			50	49	48			45							39	38	37	36	35	34	33	73								29						23	22	21				18							16	15	14	13					8	7	6	5	4	3				
					67	66								59	58	57	56	55		53																																																																									
		50	49	48			45							39	38	37	36	35	34	33																																																																									
73								29						23	22	21				18																																																																									
						16	15	14	13					8	7	6	5	4	3																																																																										
AVAILABLE	NOT APPLICABLE	34566-3893	0	C	BLUE	<table border="1"> <tr><td>72</td><td></td><td>70</td><td></td><td>68</td><td>67</td><td>66</td><td></td><td></td><td></td><td>63</td><td>62</td><td></td><td></td><td>59</td><td></td><td>57</td><td></td><td></td><td></td><td>53</td></tr> <tr><td>52</td><td>51</td><td></td><td></td><td>48</td><td>47</td><td>46</td><td></td><td></td><td>44</td><td></td><td>42</td><td></td><td></td><td></td><td></td><td></td><td></td><td></td><td></td><td>34</td><td>33</td></tr> <tr><td colspan="2">73</td><td></td><td></td><td>32</td><td></td><td>30</td><td></td><td></td><td></td><td>27</td><td>26</td><td>25</td><td></td><td></td><td>22</td><td>21</td><td></td><td></td><td></td><td></td><td></td></tr> <tr><td colspan="2"></td><td></td><td></td><td></td><td></td><td>15</td><td>14</td><td></td><td></td><td></td><td>10</td><td>9</td><td></td><td></td><td>6</td><td>5</td><td>4</td><td></td><td></td><td></td><td></td></tr> </table>	72		70		68	67	66				63	62			59		57				53	52	51			48	47	46			44		42									34	33	73				32		30				27	26	25			22	21												15	14				10	9			6	5	4				
72		70		68	67	66				63	62			59		57				53																																																																									
52	51			48	47	46			44		42									34	33																																																																								
73				32		30				27	26	25			22	21																																																																													
						15	14				10	9			6	5	4																																																																												


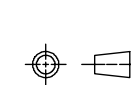
PRE-RELEASE  
REFERENCE  
USE ONLY

THIS DRAWING CONTAINS INFORMATION THAT IS PROPRIETARY TO MOLEX ELECTRONIC TECHNOLOGIES, LLC AND SHOULD NOT BE USED WITHOUT WRITTEN PERMISSION										
EC NO: 120083 DRWN: APODDATURI CHKD: REV APPR: VKOSHY	2017/07/13	2017/08/08	GENERAL TOLERANCES (UNLESS SPECIFIED)		DIMENSION UNITS	SCALE	 MX123 66/73/80CKT HRNS CONN ASSY PRODUCT CUSTOMER DRAWING			
			ANGULAR TOL ± °		MM	1:1				
	4 PLACES ±		SKRAJENDRANA		DATE	2011/02/14				
	3 PLACES ±		MVANSLAMBROU		DATE	2011/02/14				
	2 PLACES ±				DATE					
	1 PLACE ±				DATE					
0 PLACES ±				DATE						
DRAFT WHERE APPLICABLE MUST REMAIN WITHIN DIMENSIONS		DRAWING SIZE	THIRD ANGLE PROJECTION							
G55		D								
SERIES		MATERIAL NUMBER		CUSTOMER						
34566		SEE BOM TABLE		GENERAL MARKET						
DOCUMENT NUMBER		DOC TYPE		DOC PART		SHEET NUMBER				
SD-34566-001		PSD		000		49 OF 98				

STATUS	GM PART #	MATERIAL #	WIRE DRESS OPTION	KEY OPTION	COLOR (TPA)	NUMBERS INDICATE CAVITIES OPEN FOR CIRCUITS																																																																																				
AVAILABLE	NOT APPLICABLE	34566-3913	0	A	BLACK	<table border="1"> <tr><td></td><td>71</td><td>70</td><td>69</td><td></td><td></td><td></td><td></td><td>64</td><td>63</td><td></td><td></td><td>60</td><td></td><td>58</td><td>57</td><td>56</td><td>55</td><td>54</td><td>53</td></tr> <tr><td>52</td><td>51</td><td></td><td>49</td><td></td><td></td><td></td><td></td><td>45</td><td>44</td><td>43</td><td>42</td><td>41</td><td></td><td></td><td>37</td><td>36</td><td></td><td>34</td><td></td></tr> <tr><td colspan="3">73</td><td>32</td><td></td><td>30</td><td></td><td></td><td>28</td><td></td><td>26</td><td></td><td></td><td>23</td><td>21</td><td></td><td>19</td><td>18</td><td></td><td></td></tr> <tr><td colspan="3">73</td><td>16</td><td>15</td><td></td><td></td><td></td><td>12</td><td></td><td>10</td><td></td><td>8</td><td></td><td></td><td>5</td><td></td><td>3</td><td></td><td></td></tr> </table>		71	70	69					64	63			60		58	57	56	55	54	53	52	51		49					45	44	43	42	41			37	36		34		73			32		30			28		26			23	21		19	18			73			16	15				12		10		8			5		3						
	71	70	69					64	63			60		58	57	56	55	54	53																																																																							
52	51		49					45	44	43	42	41			37	36		34																																																																								
73			32		30			28		26			23	21		19	18																																																																									
73			16	15				12		10		8			5		3																																																																									
AVAILABLE	NOT APPLICABLE	34566-3923	0	B	ST GRY	<table border="1"> <tr><td>72</td><td></td><td>70</td><td></td><td>68</td><td></td><td>66</td><td></td><td></td><td></td><td></td><td></td><td></td><td>60</td><td>59</td><td></td><td></td><td></td><td>55</td><td>54</td><td>53</td></tr> <tr><td>52</td><td></td><td>50</td><td></td><td>48</td><td></td><td>46</td><td></td><td></td><td></td><td></td><td></td><td></td><td>40</td><td>39</td><td></td><td></td><td></td><td>35</td><td>34</td><td>33</td></tr> <tr><td colspan="3">73</td><td>32</td><td>31</td><td>30</td><td>29</td><td>28</td><td>27</td><td>26</td><td>25</td><td>24</td><td>23</td><td></td><td></td><td></td><td></td><td>19</td><td>18</td><td></td><td></td></tr> <tr><td colspan="3">73</td><td>16</td><td></td><td></td><td></td><td></td><td></td><td>10</td><td>9</td><td>8</td><td>7</td><td></td><td></td><td></td><td></td><td></td><td></td><td></td><td></td></tr> </table>	72		70		68		66							60	59				55	54	53	52		50		48		46							40	39				35	34	33	73			32	31	30	29	28	27	26	25	24	23					19	18			73			16						10	9	8	7								
72		70		68		66							60	59				55	54	53																																																																						
52		50		48		46							40	39				35	34	33																																																																						
73			32	31	30	29	28	27	26	25	24	23					19	18																																																																								
73			16						10	9	8	7																																																																														
AVAILABLE	NOT APPLICABLE	34566-3933	0	A	BLACK	<table border="1"> <tr><td></td><td>71</td><td>70</td><td>69</td><td></td><td></td><td></td><td></td><td>64</td><td>63</td><td></td><td></td><td>60</td><td></td><td>58</td><td>57</td><td>56</td><td>55</td><td>54</td><td>53</td></tr> <tr><td>52</td><td>51</td><td></td><td>49</td><td></td><td></td><td></td><td></td><td>45</td><td>44</td><td>43</td><td>42</td><td>41</td><td></td><td></td><td>37</td><td>36</td><td></td><td>34</td><td></td></tr> <tr><td colspan="3">73</td><td>32</td><td></td><td>30</td><td></td><td></td><td>28</td><td></td><td>26</td><td></td><td></td><td></td><td></td><td></td><td></td><td>19</td><td>18</td><td></td><td></td></tr> <tr><td colspan="3">73</td><td>16</td><td>15</td><td></td><td></td><td></td><td>12</td><td></td><td>10</td><td></td><td></td><td></td><td></td><td></td><td></td><td>3</td><td></td><td></td><td></td></tr> </table>		71	70	69					64	63			60		58	57	56	55	54	53	52	51		49					45	44	43	42	41			37	36		34		73			32		30			28		26							19	18			73			16	15				12		10							3					
	71	70	69					64	63			60		58	57	56	55	54	53																																																																							
52	51		49					45	44	43	42	41			37	36		34																																																																								
73			32		30			28		26							19	18																																																																								
73			16	15				12		10							3																																																																									
AVAILABLE	NOT APPLICABLE	34566-3943	0	C	BLUE	<table border="1"> <tr><td>72</td><td></td><td>70</td><td></td><td>68</td><td></td><td>66</td><td></td><td></td><td></td><td></td><td></td><td></td><td>60</td><td>59</td><td></td><td></td><td></td><td>55</td><td>54</td><td>53</td></tr> <tr><td>52</td><td></td><td>50</td><td></td><td>48</td><td></td><td>46</td><td></td><td></td><td></td><td></td><td></td><td></td><td>40</td><td>39</td><td></td><td></td><td></td><td>35</td><td>34</td><td>33</td></tr> <tr><td colspan="3">73</td><td>32</td><td>31</td><td>30</td><td>29</td><td>28</td><td>27</td><td>26</td><td>25</td><td>24</td><td></td><td></td><td></td><td></td><td></td><td></td><td></td><td></td><td></td></tr> <tr><td colspan="3">73</td><td>16</td><td></td><td></td><td></td><td></td><td></td><td>10</td><td>9</td><td>8</td><td></td><td></td><td></td><td></td><td></td><td></td><td></td><td></td><td></td></tr> </table>	72		70		68		66							60	59				55	54	53	52		50		48		46							40	39				35	34	33	73			32	31	30	29	28	27	26	25	24										73			16						10	9	8									
72		70		68		66							60	59				55	54	53																																																																						
52		50		48		46							40	39				35	34	33																																																																						
73			32	31	30	29	28	27	26	25	24																																																																															
73			16						10	9	8																																																																															
AVAILABLE	NOT APPLICABLE	34566-3953	0	C	BLUE	<table border="1"> <tr><td>72</td><td></td><td>70</td><td></td><td>68</td><td></td><td></td><td></td><td>63</td><td>62</td><td></td><td></td><td></td><td>59</td><td></td><td>57</td><td></td><td></td><td></td><td>53</td></tr> <tr><td>52</td><td>51</td><td></td><td></td><td>48</td><td>47</td><td>46</td><td></td><td>44</td><td>42</td><td></td><td></td><td>40</td><td>39</td><td></td><td></td><td></td><td></td><td>34</td><td>33</td></tr> <tr><td colspan="3">73</td><td>32</td><td></td><td>30</td><td></td><td></td><td></td><td>26</td><td>25</td><td></td><td></td><td>23</td><td>22</td><td>21</td><td>20</td><td></td><td></td><td></td><td></td></tr> <tr><td colspan="3">73</td><td></td><td>15</td><td>14</td><td>13</td><td></td><td></td><td></td><td></td><td></td><td>7</td><td>6</td><td>5</td><td>4</td><td></td><td></td><td></td><td></td><td></td></tr> </table>	72		70		68				63	62				59		57				53	52	51			48	47	46		44	42			40	39					34	33	73			32		30				26	25			23	22	21	20					73				15	14	13						7	6	5	4							
72		70		68				63	62				59		57				53																																																																							
52	51			48	47	46		44	42			40	39					34	33																																																																							
73			32		30				26	25			23	22	21	20																																																																										
73				15	14	13						7	6	5	4																																																																											
AVAILABLE	NOT APPLICABLE	34566-3963	0	C	BLUE	<table border="1"> <tr><td>72</td><td></td><td>70</td><td></td><td>68</td><td>67</td><td>66</td><td></td><td></td><td>63</td><td>62</td><td></td><td></td><td>59</td><td></td><td>57</td><td></td><td></td><td></td><td>53</td></tr> <tr><td>52</td><td>51</td><td></td><td></td><td>48</td><td>47</td><td>46</td><td></td><td>44</td><td>42</td><td></td><td></td><td>40</td><td>39</td><td>38</td><td></td><td></td><td></td><td>34</td><td>33</td></tr> <tr><td colspan="3">73</td><td>32</td><td></td><td>30</td><td></td><td></td><td></td><td>26</td><td>25</td><td></td><td></td><td></td><td>22</td><td>21</td><td></td><td></td><td></td><td></td><td></td></tr> <tr><td colspan="3">73</td><td></td><td>15</td><td>14</td><td></td><td></td><td></td><td>10</td><td>9</td><td></td><td></td><td>6</td><td>5</td><td>4</td><td></td><td></td><td></td><td></td><td></td></tr> </table>	72		70		68	67	66			63	62			59		57				53	52	51			48	47	46		44	42			40	39	38				34	33	73			32		30				26	25				22	21						73				15	14				10	9			6	5	4							
72		70		68	67	66			63	62			59		57				53																																																																							
52	51			48	47	46		44	42			40	39	38				34	33																																																																							
73			32		30				26	25				22	21																																																																											
73				15	14				10	9			6	5	4																																																																											
AVAILABLE	NOT APPLICABLE	34566-3973	0	C	BLUE	<table border="1"> <tr><td>72</td><td></td><td>70</td><td></td><td>68</td><td>67</td><td></td><td></td><td></td><td>63</td><td>62</td><td></td><td></td><td>59</td><td></td><td>57</td><td></td><td></td><td></td><td>53</td></tr> <tr><td>52</td><td>51</td><td></td><td></td><td>48</td><td>47</td><td>46</td><td></td><td>44</td><td>42</td><td></td><td></td><td>40</td><td>39</td><td>38</td><td></td><td></td><td></td><td>34</td><td>33</td></tr> <tr><td colspan="3">73</td><td>32</td><td></td><td>30</td><td></td><td></td><td></td><td>26</td><td>25</td><td></td><td></td><td></td><td>22</td><td>21</td><td></td><td></td><td></td><td></td><td></td></tr> <tr><td colspan="3">73</td><td></td><td>15</td><td>14</td><td></td><td></td><td></td><td></td><td></td><td></td><td></td><td>6</td><td>5</td><td>4</td><td></td><td></td><td></td><td></td><td></td></tr> </table>	72		70		68	67				63	62			59		57				53	52	51			48	47	46		44	42			40	39	38				34	33	73			32		30				26	25				22	21						73				15	14								6	5	4							
72		70		68	67				63	62			59		57				53																																																																							
52	51			48	47	46		44	42			40	39	38				34	33																																																																							
73			32		30				26	25				22	21																																																																											
73				15	14								6	5	4																																																																											
AVAILABLE	NOT APPLICABLE	34566-3983	0	A	BLACK	<table border="1"> <tr><td></td><td>71</td><td>70</td><td>69</td><td></td><td></td><td></td><td></td><td>64</td><td>63</td><td></td><td></td><td>60</td><td>59</td><td>58</td><td>57</td><td>56</td><td>55</td><td>54</td><td>53</td></tr> <tr><td>52</td><td>51</td><td></td><td>49</td><td></td><td></td><td></td><td></td><td>45</td><td>44</td><td>43</td><td>42</td><td>41</td><td>40</td><td></td><td>37</td><td>36</td><td></td><td>34</td><td></td></tr> <tr><td colspan="3">73</td><td>32</td><td></td><td>30</td><td></td><td></td><td>28</td><td></td><td>26</td><td></td><td></td><td></td><td></td><td></td><td></td><td>19</td><td>18</td><td></td><td></td></tr> <tr><td colspan="3">73</td><td>16</td><td>15</td><td></td><td></td><td></td><td>12</td><td></td><td>10</td><td></td><td></td><td></td><td></td><td></td><td></td><td>3</td><td></td><td></td><td></td></tr> </table>		71	70	69					64	63			60	59	58	57	56	55	54	53	52	51		49					45	44	43	42	41	40		37	36		34		73			32		30			28		26							19	18			73			16	15				12		10							3					
	71	70	69					64	63			60	59	58	57	56	55	54	53																																																																							
52	51		49					45	44	43	42	41	40		37	36		34																																																																								
73			32		30			28		26							19	18																																																																								
73			16	15				12		10							3																																																																									
AVAILABLE	NOT APPLICABLE	34566-3993	0	A	BLACK	<table border="1"> <tr><td></td><td></td><td>70</td><td>69</td><td></td><td></td><td></td><td></td><td></td><td>63</td><td>62</td><td>61</td><td>60</td><td></td><td>58</td><td>57</td><td>56</td><td>55</td><td>54</td><td>53</td></tr> <tr><td>52</td><td>51</td><td></td><td>49</td><td></td><td></td><td></td><td></td><td></td><td>44</td><td>43</td><td>42</td><td>41</td><td>40</td><td></td><td>37</td><td>36</td><td></td><td>34</td><td></td></tr> <tr><td colspan="3">73</td><td>32</td><td></td><td></td><td>29</td><td>28</td><td>27</td><td>26</td><td></td><td></td><td></td><td></td><td></td><td></td><td></td><td>19</td><td>18</td><td></td><td></td></tr> <tr><td colspan="3">73</td><td>16</td><td>15</td><td></td><td>13</td><td>12</td><td>11</td><td>10</td><td></td><td></td><td></td><td></td><td></td><td></td><td></td><td>3</td><td></td><td></td><td></td></tr> </table>			70	69						63	62	61	60		58	57	56	55	54	53	52	51		49						44	43	42	41	40		37	36		34		73			32			29	28	27	26								19	18			73			16	15		13	12	11	10								3					
		70	69						63	62	61	60		58	57	56	55	54	53																																																																							
52	51		49						44	43	42	41	40		37	36		34																																																																								
73			32			29	28	27	26								19	18																																																																								
73			16	15		13	12	11	10								3																																																																									


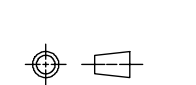
PRE-RELEASE  
REFERENCE  
USE ONLY

THIS DRAWING CONTAINS INFORMATION THAT IS PROPRIETARY TO MOLEX ELECTRONIC TECHNOLOGIES, LLC AND SHOULD NOT BE USED WITHOUT WRITTEN PERMISSION

EC NO: 120083 DRWN: APODDATURI CHKD: REV APPR: VKOSHY	2017/07/13	2017/08/08	GENERAL TOLERANCES (UNLESS SPECIFIED)	DIMENSION UNITS	SCALE	  <b>MX123</b> <b>66/73/80CKT HRNS CONN ASSY</b>  <b>PRODUCT CUSTOMER DRAWING</b>
			ANGULAR TOL ± °	MM	1:1	
			4 PLACES ±	DRWN BY	DATE	
			3 PLACES ±	SKRAJENDRANA	2011/02/14	
			2 PLACES ±	CHKD BY	DATE	
		1 PLACE ±	MVANSLAMBROU	2011/02/14		
		0 PLACES ±	APPR BY	DATE		
		DRAFT WHERE APPLICABLE MUST REMAIN WITHIN DIMENSIONS	DRAWING SIZE	THIRD ANGLE PROJECTION		
			D			
			SERIES	MATERIAL NUMBER	CUSTOMER	
			34566	SEE BOM TABLE	GENERAL MARKET	
			DOCUMENT NUMBER	DOC TYPE	DOC PART SHEET NUMBER	
			SD-34566-001	PSD	000 50 OF 98	

STATUS	GM PART #	MATERIAL #	WIRE DRESS OPTION	KEY OPTION	COLOR (TPA)	NUMBERS INDICATE CAVITIES OPEN FOR CIRCUITS																																																																																
AVAILABLE	NOT APPLICABLE	34566-4013	0	B	ST GRY	<table border="1"> <tr><td>72</td><td>70</td><td>68</td><td>66</td><td></td><td></td><td></td><td></td><td></td><td>60</td><td>59</td><td></td><td></td><td></td><td>55</td><td>54</td><td>53</td></tr> <tr><td>52</td><td>50</td><td>48</td><td>46</td><td></td><td></td><td></td><td></td><td></td><td>40</td><td>39</td><td></td><td></td><td></td><td>35</td><td>34</td><td>33</td></tr> <tr><td colspan="2">73</td><td>32</td><td>31</td><td>30</td><td>29</td><td>28</td><td>27</td><td>26</td><td>25</td><td>24</td><td></td><td></td><td></td><td></td><td></td><td>17</td></tr> <tr><td colspan="2"></td><td>16</td><td></td><td></td><td></td><td></td><td></td><td>10</td><td>8</td><td></td><td></td><td></td><td></td><td></td><td>2</td><td>1</td></tr> </table>	72	70	68	66						60	59				55	54	53	52	50	48	46						40	39				35	34	33	73		32	31	30	29	28	27	26	25	24						17			16						10	8						2	1												
72	70	68	66						60	59				55	54	53																																																																						
52	50	48	46						40	39				35	34	33																																																																						
73		32	31	30	29	28	27	26	25	24						17																																																																						
		16						10	8						2	1																																																																						
AVAILABLE	NOT APPLICABLE	34566-4023	0	B	ST GRY	<table border="1"> <tr><td>72</td><td>71</td><td>70</td><td>68</td><td>67</td><td>66</td><td></td><td></td><td></td><td>62</td><td>61</td><td>60</td><td>59</td><td>58</td><td>57</td><td>56</td><td>55</td><td>54</td><td>53</td></tr> <tr><td>52</td><td>51</td><td>50</td><td>48</td><td>47</td><td>46</td><td></td><td></td><td></td><td>42</td><td>41</td><td>40</td><td>39</td><td>38</td><td>37</td><td>36</td><td>35</td><td>34</td><td>33</td></tr> <tr><td colspan="2">73</td><td>32</td><td>31</td><td>30</td><td>29</td><td>28</td><td>27</td><td>26</td><td>25</td><td>24</td><td></td><td></td><td></td><td></td><td></td><td></td><td></td><td></td></tr> <tr><td colspan="2"></td><td>16</td><td>15</td><td>14</td><td>13</td><td></td><td></td><td>10</td><td>9</td><td>8</td><td></td><td></td><td></td><td></td><td></td><td></td><td></td><td></td></tr> </table>	72	71	70	68	67	66				62	61	60	59	58	57	56	55	54	53	52	51	50	48	47	46				42	41	40	39	38	37	36	35	34	33	73		32	31	30	29	28	27	26	25	24											16	15	14	13			10	9	8												
72	71	70	68	67	66				62	61	60	59	58	57	56	55	54	53																																																																				
52	51	50	48	47	46				42	41	40	39	38	37	36	35	34	33																																																																				
73		32	31	30	29	28	27	26	25	24																																																																												
		16	15	14	13			10	9	8																																																																												
AVAILABLE	NOT APPLICABLE	34566-4033	0	C	BLUE	<table border="1"> <tr><td>72</td><td>70</td><td>68</td><td></td><td></td><td></td><td></td><td></td><td>63</td><td>62</td><td></td><td></td><td>59</td><td>58</td><td>57</td><td></td><td></td><td></td><td>53</td></tr> <tr><td>52</td><td>51</td><td>48</td><td>47</td><td></td><td></td><td></td><td>44</td><td>42</td><td>40</td><td>39</td><td>38</td><td></td><td></td><td></td><td></td><td></td><td>34</td><td>33</td></tr> <tr><td colspan="2">73</td><td>32</td><td>30</td><td></td><td></td><td></td><td></td><td>26</td><td>25</td><td></td><td></td><td>22</td><td>21</td><td>20</td><td></td><td></td><td></td><td>17</td></tr> <tr><td colspan="2"></td><td>15</td><td>14</td><td>13</td><td></td><td></td><td></td><td></td><td></td><td></td><td></td><td>6</td><td>5</td><td>4</td><td></td><td></td><td></td><td>1</td></tr> </table>	72	70	68						63	62			59	58	57				53	52	51	48	47				44	42	40	39	38						34	33	73		32	30					26	25			22	21	20				17			15	14	13								6	5	4				1				
72	70	68						63	62			59	58	57				53																																																																				
52	51	48	47				44	42	40	39	38						34	33																																																																				
73		32	30					26	25			22	21	20				17																																																																				
		15	14	13								6	5	4				1																																																																				
AVAILABLE	NOT APPLICABLE	34566-4043	0	A	BLACK	<table border="1"> <tr><td></td><td>71</td><td>70</td><td>69</td><td></td><td>67</td><td></td><td></td><td>64</td><td>63</td><td></td><td></td><td>60</td><td></td><td></td><td>57</td><td>56</td><td>55</td><td>54</td><td>53</td></tr> <tr><td>52</td><td>51</td><td></td><td>49</td><td></td><td></td><td></td><td>45</td><td>44</td><td>43</td><td>42</td><td>41</td><td></td><td></td><td>37</td><td>36</td><td></td><td></td><td>34</td><td></td></tr> <tr><td colspan="2">73</td><td></td><td>32</td><td></td><td>30</td><td></td><td></td><td>28</td><td>26</td><td></td><td></td><td>23</td><td></td><td></td><td></td><td></td><td>19</td><td>18</td><td></td></tr> <tr><td colspan="2"></td><td></td><td>16</td><td>15</td><td></td><td></td><td>12</td><td>10</td><td></td><td></td><td></td><td></td><td></td><td></td><td></td><td></td><td>3</td><td></td><td></td></tr> </table>		71	70	69		67			64	63			60			57	56	55	54	53	52	51		49				45	44	43	42	41			37	36			34		73			32		30			28	26			23					19	18					16	15			12	10									3		
	71	70	69		67			64	63			60			57	56	55	54	53																																																																			
52	51		49				45	44	43	42	41			37	36			34																																																																				
73			32		30			28	26			23					19	18																																																																				
			16	15			12	10									3																																																																					
AVAILABLE	NOT APPLICABLE	34566-4053	0	A	BLACK	<table border="1"> <tr><td>72</td><td></td><td></td><td>69</td><td>67</td><td>66</td><td>65</td><td></td><td>63</td><td></td><td></td><td>60</td><td></td><td></td><td>57</td><td>56</td><td></td><td></td><td></td><td>53</td></tr> <tr><td></td><td></td><td></td><td>49</td><td>47</td><td>46</td><td></td><td>44</td><td>43</td><td>42</td><td></td><td>40</td><td></td><td></td><td>37</td><td>36</td><td>35</td><td></td><td></td><td>33</td></tr> <tr><td colspan="2">73</td><td></td><td></td><td>31</td><td>30</td><td>29</td><td>28</td><td>27</td><td>26</td><td></td><td>24</td><td></td><td></td><td>21</td><td>20</td><td></td><td></td><td></td><td>17</td></tr> <tr><td colspan="2"></td><td></td><td></td><td>16</td><td>15</td><td>14</td><td>13</td><td></td><td>11</td><td>10</td><td></td><td></td><td></td><td>5</td><td>4</td><td>3</td><td>2</td><td></td><td>1</td></tr> </table>	72			69	67	66	65		63			60			57	56				53				49	47	46		44	43	42		40			37	36	35			33	73				31	30	29	28	27	26		24			21	20				17					16	15	14	13		11	10				5	4	3	2		1
72			69	67	66	65		63			60			57	56				53																																																																			
			49	47	46		44	43	42		40			37	36	35			33																																																																			
73				31	30	29	28	27	26		24			21	20				17																																																																			
				16	15	14	13		11	10				5	4	3	2		1																																																																			
AVAILABLE	NOT APPLICABLE	34566-4063	0	B	ST GRY	<table border="1"> <tr><td></td><td></td><td></td><td>68</td><td>67</td><td></td><td></td><td></td><td>64</td><td></td><td></td><td></td><td>59</td><td>58</td><td></td><td></td><td></td><td></td><td>54</td><td></td></tr> <tr><td></td><td></td><td></td><td></td><td></td><td>46</td><td>45</td><td></td><td></td><td></td><td></td><td></td><td>39</td><td>38</td><td></td><td></td><td></td><td></td><td></td><td></td></tr> <tr><td colspan="2">73</td><td></td><td>32</td><td></td><td>30</td><td>29</td><td>28</td><td>27</td><td></td><td></td><td></td><td>23</td><td>22</td><td></td><td></td><td></td><td></td><td></td><td>17</td></tr> <tr><td colspan="2"></td><td></td><td></td><td>15</td><td></td><td>13</td><td></td><td></td><td>10</td><td>8</td><td></td><td></td><td></td><td></td><td></td><td></td><td></td><td></td><td>1</td></tr> </table>				68	67				64				59	58					54							46	45						39	38							73			32		30	29	28	27				23	22						17					15		13			10	8									1
			68	67				64				59	58					54																																																																				
					46	45						39	38																																																																									
73			32		30	29	28	27				23	22						17																																																																			
				15		13			10	8									1																																																																			
AVAILABLE	NOT APPLICABLE	34566-4073	0	A	BLACK	<table border="1"> <tr><td>72</td><td>70</td><td></td><td></td><td></td><td>66</td><td></td><td></td><td>63</td><td>62</td><td></td><td></td><td>59</td><td></td><td>57</td><td>56</td><td>55</td><td></td><td>53</td></tr> <tr><td>52</td><td>51</td><td></td><td></td><td></td><td>46</td><td></td><td></td><td>44</td><td>42</td><td></td><td></td><td>40</td><td>39</td><td></td><td>37</td><td>36</td><td></td><td>34</td><td>33</td></tr> <tr><td colspan="2">73</td><td></td><td>32</td><td></td><td>30</td><td></td><td></td><td></td><td>26</td><td>25</td><td></td><td></td><td>22</td><td>21</td><td></td><td>19</td><td>18</td><td></td><td></td></tr> <tr><td colspan="2"></td><td></td><td></td><td>15</td><td>14</td><td></td><td></td><td></td><td>10</td><td>9</td><td></td><td></td><td>6</td><td></td><td></td><td>3</td><td></td><td></td><td></td></tr> </table>	72	70				66			63	62			59		57	56	55		53	52	51				46			44	42			40	39		37	36		34	33	73			32		30				26	25			22	21		19	18							15	14				10	9			6			3				
72	70				66			63	62			59		57	56	55		53																																																																				
52	51				46			44	42			40	39		37	36		34	33																																																																			
73			32		30				26	25			22	21		19	18																																																																					
				15	14				10	9			6			3																																																																						

PRE-RELEASE  
REFERENCE  
USE ONLY

THIS DRAWING CONTAINS INFORMATION THAT IS PROPRIETARY TO MOLEX ELECTRONIC TECHNOLOGIES, LLC AND SHOULD NOT BE USED WITHOUT WRITTEN PERMISSION											
EC NO: 120093 DRWN: APODDATURI CHKD: REV APPR: VKOSHY	2017/07/13	2017/08/08	GENERAL TOLERANCES (UNLESS SPECIFIED)		DIMENSION UNITS	SCALE					
			ANGULAR TOL ± °		MM	1:1					
			4 PLACES ±	DRWN BY		DATE					
			3 PLACES ±	SKRAJENDRANA		2011/02/14					
			2 PLACES ±	CHKD BY		DATE					
		1 PLACE ±	MVANSLAMBROU		2011/02/14						
		0 PLACES ±	APPR BY		DATE						
DRAFT WHERE APPLICABLE MUST REMAIN WITHIN DIMENSIONS		DRAWING SIZE	THIRD ANGLE PROJECTION								
		D									
G55		SHEET NUMBER		DOCUMENT NUMBER		DOC TYPE		DOC PART		SHEET NUMBER	
		51 OF 98		SD-34566-001		PSD		000		51 OF 98	

STATUS	GM PART #	MATERIAL #	WIRE DRESS OPTION	KEY OPTION	COLOR (TPA)	NUMBERS INDICATE CAVITIES OPEN FOR CIRCUITS 																																																																															
AVAILABLE	NOT APPLICABLE	34566-4083	0	C	BLUE	<table border="1" style="width: 100%; border-collapse: collapse;"> <tr><td>72</td><td></td><td>70</td><td></td><td>68</td><td></td><td></td><td></td><td>63</td><td>62</td><td></td><td></td><td>59</td><td>58</td><td>57</td><td></td><td></td><td>53</td></tr> <tr><td>52</td><td>51</td><td></td><td></td><td>48</td><td>47</td><td></td><td></td><td>44</td><td>42</td><td>40</td><td>39</td><td>38</td><td>37</td><td>36</td><td></td><td>34</td><td>33</td></tr> <tr><td colspan="2" rowspan="2">73</td><td></td><td></td><td>32</td><td></td><td>30</td><td></td><td>27</td><td>26</td><td>25</td><td>24</td><td></td><td>22</td><td>21</td><td>20</td><td></td><td>17</td></tr> <tr><td></td><td></td><td>15</td><td>14</td><td>13</td><td></td><td></td><td></td><td>8</td><td></td><td>6</td><td>5</td><td>4</td><td></td><td>2</td><td>1</td></tr> </table>	72		70		68				63	62			59	58	57			53	52	51			48	47			44	42	40	39	38	37	36		34	33	73				32		30		27	26	25	24		22	21	20		17			15	14	13				8		6	5	4		2	1									
72		70		68				63	62			59	58	57			53																																																																				
52	51			48	47			44	42	40	39	38	37	36		34	33																																																																				
73				32		30		27	26	25	24		22	21	20		17																																																																				
				15	14	13				8		6	5	4		2	1																																																																				
AVAILABLE	NOT APPLICABLE	34566-4093	0	A	BLACK	<table border="1" style="width: 100%; border-collapse: collapse;"> <tr><td></td><td>71</td><td>70</td><td>69</td><td></td><td>67</td><td></td><td></td><td>64</td><td>63</td><td></td><td></td><td>60</td><td></td><td></td><td>57</td><td>56</td><td>55</td><td>54</td><td>53</td></tr> <tr><td>52</td><td>51</td><td></td><td>49</td><td></td><td>47</td><td></td><td></td><td>45</td><td>44</td><td>43</td><td>42</td><td>41</td><td></td><td></td><td>37</td><td>36</td><td></td><td>34</td><td></td></tr> <tr><td colspan="2" rowspan="2">73</td><td></td><td></td><td>32</td><td></td><td>30</td><td></td><td>28</td><td>26</td><td></td><td></td><td>23</td><td></td><td></td><td></td><td></td><td>19</td><td>18</td><td></td></tr> <tr><td></td><td></td><td>16</td><td>15</td><td></td><td></td><td>12</td><td>10</td><td></td><td></td><td></td><td></td><td></td><td></td><td></td><td>3</td><td></td><td></td></tr> </table>		71	70	69		67			64	63			60			57	56	55	54	53	52	51		49		47			45	44	43	42	41			37	36		34		73				32		30		28	26			23					19	18				16	15			12	10								3			
	71	70	69		67			64	63			60			57	56	55	54	53																																																																		
52	51		49		47			45	44	43	42	41			37	36		34																																																																			
73				32		30		28	26			23					19	18																																																																			
				16	15			12	10								3																																																																				
AVAILABLE	NOT APPLICABLE	34566-4113	0	B	ST GRY	<table border="1" style="width: 100%; border-collapse: collapse;"> <tr><td></td><td></td><td></td><td></td><td>68</td><td>67</td><td></td><td></td><td>64</td><td></td><td></td><td></td><td></td><td></td><td></td><td>58</td><td></td><td></td><td></td><td></td></tr> <tr><td></td><td></td><td></td><td></td><td></td><td></td><td>46</td><td>45</td><td></td><td></td><td></td><td></td><td></td><td></td><td></td><td>38</td><td></td><td></td><td></td><td></td></tr> <tr><td colspan="2" rowspan="2">73</td><td></td><td></td><td>32</td><td></td><td>30</td><td>29</td><td>28</td><td>27</td><td></td><td></td><td></td><td></td><td></td><td>22</td><td></td><td></td><td></td><td>17</td></tr> <tr><td></td><td></td><td></td><td></td><td>15</td><td>13</td><td></td><td></td><td>10</td><td></td><td></td><td></td><td></td><td></td><td></td><td></td><td></td><td></td><td>1</td></tr> </table>					68	67			64							58											46	45								38					73				32		30	29	28	27						22				17					15	13			10										1
				68	67			64							58																																																																						
						46	45								38																																																																						
73				32		30	29	28	27						22				17																																																																		
						15	13			10										1																																																																	
AVAILABLE	NOT APPLICABLE	34566-4123	9	A	BLACK	<table border="1" style="width: 100%; border-collapse: collapse;"> <tr><td>72</td><td></td><td></td><td>69</td><td></td><td>67</td><td>66</td><td>65</td><td></td><td>63</td><td></td><td></td><td>60</td><td></td><td></td><td>57</td><td>56</td><td></td><td></td><td>53</td></tr> <tr><td></td><td></td><td></td><td>49</td><td></td><td>47</td><td>46</td><td></td><td>44</td><td>43</td><td>42</td><td>40</td><td></td><td></td><td></td><td>37</td><td>36</td><td>35</td><td></td><td>33</td></tr> <tr><td colspan="2" rowspan="2">73</td><td></td><td></td><td></td><td>31</td><td>30</td><td>29</td><td>28</td><td></td><td>26</td><td></td><td>24</td><td></td><td></td><td>21</td><td>20</td><td></td><td></td><td>17</td></tr> <tr><td></td><td></td><td></td><td>16</td><td>15</td><td>14</td><td>13</td><td></td><td>11</td><td>10</td><td></td><td></td><td></td><td>5</td><td>4</td><td>3</td><td>2</td><td>1</td></tr> </table>	72			69		67	66	65		63			60			57	56			53				49		47	46		44	43	42	40				37	36	35		33	73					31	30	29	28		26		24			21	20			17				16	15	14	13		11	10				5	4	3	2	1	
72			69		67	66	65		63			60			57	56			53																																																																		
			49		47	46		44	43	42	40				37	36	35		33																																																																		
73					31	30	29	28		26		24			21	20			17																																																																		
					16	15	14	13		11	10				5	4	3	2	1																																																																		
AVAILABLE	NOT APPLICABLE	34566-4133	9	B	ST GRY	<table border="1" style="width: 100%; border-collapse: collapse;"> <tr><td></td><td></td><td></td><td></td><td>68</td><td>67</td><td></td><td></td><td>64</td><td></td><td></td><td></td><td></td><td>59</td><td>58</td><td></td><td></td><td></td><td></td><td>54</td></tr> <tr><td></td><td></td><td></td><td></td><td></td><td></td><td>46</td><td>45</td><td></td><td></td><td></td><td></td><td></td><td>39</td><td>38</td><td></td><td></td><td></td><td></td><td>17</td></tr> <tr><td colspan="2" rowspan="2">73</td><td></td><td></td><td>32</td><td></td><td>30</td><td>29</td><td>28</td><td>27</td><td></td><td></td><td></td><td>23</td><td>22</td><td></td><td></td><td></td><td></td><td></td></tr> <tr><td></td><td></td><td></td><td></td><td>15</td><td></td><td>13</td><td></td><td></td><td>10</td><td>9</td><td>8</td><td></td><td></td><td></td><td></td><td></td><td></td><td>1</td></tr> </table>					68	67			64					59	58					54							46	45						39	38					17	73				32		30	29	28	27				23	22										15		13			10	9	8							1
				68	67			64					59	58					54																																																																		
						46	45						39	38					17																																																																		
73				32		30	29	28	27				23	22																																																																							
						15		13			10	9	8							1																																																																	
AVAILABLE	NOT APPLICABLE	34566-4143	0	B	ST GRY	<table border="1" style="width: 100%; border-collapse: collapse;"> <tr><td></td><td></td><td></td><td></td><td>68</td><td>67</td><td></td><td></td><td>64</td><td></td><td></td><td></td><td></td><td>59</td><td>58</td><td></td><td></td><td></td><td></td><td>54</td></tr> <tr><td></td><td></td><td></td><td></td><td></td><td></td><td>46</td><td>45</td><td></td><td></td><td></td><td></td><td></td><td>39</td><td>38</td><td></td><td></td><td></td><td></td><td>17</td></tr> <tr><td colspan="2" rowspan="2">73</td><td></td><td></td><td>32</td><td></td><td>30</td><td>29</td><td>28</td><td>27</td><td></td><td></td><td></td><td>23</td><td>22</td><td></td><td></td><td></td><td></td><td></td></tr> <tr><td></td><td></td><td></td><td></td><td></td><td></td><td></td><td></td><td>10</td><td>9</td><td></td><td></td><td></td><td></td><td></td><td></td><td></td><td></td><td>1</td></tr> </table>					68	67			64					59	58					54							46	45						39	38					17	73				32		30	29	28	27				23	22														10	9									1
				68	67			64					59	58					54																																																																		
						46	45						39	38					17																																																																		
73				32		30	29	28	27				23	22																																																																							
										10	9									1																																																																	
AVAILABLE	NOT APPLICABLE	34566-4153	0	B	ST GRY	<table border="1" style="width: 100%; border-collapse: collapse;"> <tr><td>72</td><td></td><td>70</td><td></td><td>68</td><td></td><td>66</td><td></td><td></td><td></td><td></td><td></td><td>60</td><td>59</td><td></td><td></td><td></td><td>55</td><td>54</td><td>53</td></tr> <tr><td>52</td><td></td><td>50</td><td></td><td>48</td><td></td><td>46</td><td></td><td>44</td><td></td><td></td><td></td><td>40</td><td>39</td><td></td><td></td><td></td><td>35</td><td>34</td><td>33</td></tr> <tr><td colspan="2" rowspan="2">73</td><td></td><td></td><td>32</td><td>31</td><td>30</td><td>29</td><td>28</td><td>27</td><td>26</td><td>25</td><td>24</td><td>23</td><td></td><td></td><td></td><td></td><td>19</td><td>18</td></tr> <tr><td></td><td></td><td></td><td></td><td>16</td><td></td><td></td><td></td><td></td><td>10</td><td>9</td><td>8</td><td>7</td><td></td><td></td><td></td><td></td><td></td><td></td></tr> </table>	72		70		68		66						60	59				55	54	53	52		50		48		46		44				40	39				35	34	33	73				32	31	30	29	28	27	26	25	24	23					19	18					16					10	9	8	7						
72		70		68		66						60	59				55	54	53																																																																		
52		50		48		46		44				40	39				35	34	33																																																																		
73				32	31	30	29	28	27	26	25	24	23					19	18																																																																		
						16					10	9	8	7																																																																							
AVAILABLE	NOT APPLICABLE	34566-4163	0	B	ST GRY	<table border="1" style="width: 100%; border-collapse: collapse;"> <tr><td>72</td><td></td><td>70</td><td></td><td>68</td><td></td><td>66</td><td></td><td></td><td></td><td></td><td></td><td>60</td><td>59</td><td></td><td></td><td></td><td>55</td><td>54</td><td>53</td></tr> <tr><td>52</td><td></td><td>50</td><td></td><td>48</td><td></td><td>46</td><td></td><td></td><td></td><td></td><td></td><td>40</td><td>39</td><td></td><td></td><td></td><td>35</td><td>34</td><td>33</td></tr> <tr><td colspan="2" rowspan="2">73</td><td></td><td></td><td>32</td><td>31</td><td>30</td><td>29</td><td>28</td><td>27</td><td>26</td><td>25</td><td>24</td><td></td><td></td><td></td><td></td><td></td><td></td><td>17</td></tr> <tr><td></td><td></td><td></td><td></td><td>16</td><td></td><td></td><td></td><td></td><td>10</td><td>8</td><td>7</td><td></td><td></td><td></td><td></td><td></td><td></td><td>2</td></tr> </table>	72		70		68		66						60	59				55	54	53	52		50		48		46						40	39				35	34	33	73				32	31	30	29	28	27	26	25	24							17					16					10	8	7							2
72		70		68		66						60	59				55	54	53																																																																		
52		50		48		46						40	39				35	34	33																																																																		
73				32	31	30	29	28	27	26	25	24							17																																																																		
						16					10	8	7							2																																																																	
AVAILABLE	NOT APPLICABLE	34566-4173	0	A	BLACK	<table border="1" style="width: 100%; border-collapse: collapse;"> <tr><td>72</td><td>71</td><td>70</td><td>69</td><td></td><td></td><td></td><td></td><td>64</td><td>63</td><td></td><td></td><td>60</td><td>59</td><td>58</td><td></td><td>56</td><td>55</td><td>54</td><td>53</td></tr> <tr><td>52</td><td>51</td><td></td><td>49</td><td></td><td>47</td><td></td><td></td><td>45</td><td>44</td><td>43</td><td>42</td><td>41</td><td></td><td></td><td>38</td><td>36</td><td></td><td>34</td><td></td></tr> <tr><td colspan="2" rowspan="2">73</td><td></td><td></td><td>32</td><td></td><td>30</td><td></td><td>28</td><td>26</td><td>25</td><td></td><td></td><td></td><td></td><td>21</td><td></td><td>19</td><td>18</td><td></td></tr> <tr><td></td><td></td><td></td><td></td><td>16</td><td>15</td><td></td><td>12</td><td>10</td><td>9</td><td>8</td><td></td><td></td><td></td><td>5</td><td></td><td>3</td><td></td><td></td></tr> </table>	72	71	70	69					64	63			60	59	58		56	55	54	53	52	51		49		47			45	44	43	42	41			38	36		34		73				32		30		28	26	25					21		19	18						16	15		12	10	9	8				5		3		
72	71	70	69					64	63			60	59	58		56	55	54	53																																																																		
52	51		49		47			45	44	43	42	41			38	36		34																																																																			
73				32		30		28	26	25					21		19	18																																																																			
						16	15		12	10	9	8				5		3																																																																			

PRE-RELEASE  
REFERENCE  
USE ONLY


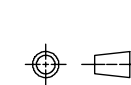
THIS DRAWING CONTAINS INFORMATION THAT IS PROPRIETARY TO MOLEX ELECTRONIC TECHNOLOGIES, LLC AND SHOULD NOT BE USED WITHOUT WRITTEN PERMISSION

EC NO: 120083 DRWN: APODDAURI CHKD: REV APPR: VKOSHY	2017/07/13	GENERAL TOLERANCES (UNLESS SPECIFIED)  ANGULAR TOL ± ° 4 PLACES ± 3 PLACES ± 2 PLACES ± 1 PLACE ± 0 PLACES ± DRAFT WHERE APPLICABLE MUST REMAIN WITHIN DIMENSIONS	DIMENSION UNITS <b>MM</b>	SCALE <b>1:1</b>	  <b>MX123</b> <b>66/73/80CKT HRNS CONN ASSY</b>		
	DRWN BY		DATE	SKRAJENDRANA		2011/02/14	
	CHKD BY		DATE	MVANSLAMBROU		2011/02/14	
	APPR BY		DATE				
	DRAWING SIZE			THIRD ANGLE PROJECTION			
	<b>D</b>						
SHEET NUMBER		SERIES		CUSTOMER			
<b>52 OF 98</b>		<b>34566</b>		<b>GENERAL MARKET</b>			
DOCUMENT NUMBER		DOC TYPE		DOC PART			
<b>SD-34566-001</b>		<b>PSD</b>		<b>000</b>			

STATUS	GM PART #	MATERIAL #	WIRE DRESS OPTION	KEY OPTION	COLOR (TPA)	NUMBERS INDICATE CAVITIES OPEN FOR CIRCUITS																																																																									
AVAILABLE	NOT APPLICABLE	34566-4183	0	C	BLUE	<table border="1"> <tr><td>72</td><td></td><td>70</td><td></td><td>68</td><td></td><td>66</td><td></td><td>63</td><td>62</td><td></td><td>59</td><td>58</td><td>57</td><td></td><td></td><td>53</td></tr> <tr><td>52</td><td>51</td><td></td><td></td><td>48</td><td>47</td><td>46</td><td></td><td>44</td><td>42</td><td></td><td>40</td><td>39</td><td></td><td></td><td></td><td>34</td><td>33</td></tr> <tr><td colspan="2">73</td><td></td><td></td><td>32</td><td></td><td>30</td><td></td><td></td><td>26</td><td>25</td><td></td><td>23</td><td>22</td><td>21</td><td>20</td><td></td><td>17</td></tr> <tr><td colspan="2"></td><td></td><td></td><td>15</td><td>14</td><td>13</td><td></td><td></td><td>10</td><td>9</td><td></td><td>7</td><td>6</td><td>5</td><td>4</td><td></td><td>1</td></tr> </table>	72		70		68		66		63	62		59	58	57			53	52	51			48	47	46		44	42		40	39				34	33	73				32		30			26	25		23	22	21	20		17					15	14	13			10	9		7	6	5	4		1		
72		70		68		66		63	62		59	58	57			53																																																															
52	51			48	47	46		44	42		40	39				34	33																																																														
73				32		30			26	25		23	22	21	20		17																																																														
				15	14	13			10	9		7	6	5	4		1																																																														
AVAILABLE	NOT APPLICABLE	34566-4193	0	C	BLUE	<table border="1"> <tr><td></td><td>71</td><td></td><td>69</td><td></td><td></td><td>65</td><td>64</td><td></td><td>61</td><td>60</td><td></td><td>58</td><td></td><td>56</td><td>55</td><td>54</td><td></td></tr> <tr><td></td><td></td><td>50</td><td>49</td><td></td><td></td><td>45</td><td>43</td><td></td><td>41</td><td></td><td></td><td>38</td><td>37</td><td>36</td><td>35</td><td></td><td></td></tr> <tr><td colspan="2">73</td><td></td><td></td><td>31</td><td></td><td>29</td><td>28</td><td></td><td></td><td>24</td><td>23</td><td></td><td></td><td>20</td><td>19</td><td>18</td><td>17</td></tr> <tr><td colspan="2"></td><td></td><td></td><td>16</td><td></td><td>13</td><td>12</td><td>11</td><td></td><td>8</td><td>7</td><td></td><td></td><td>3</td><td>2</td><td>1</td><td></td></tr> </table>		71		69			65	64		61	60		58		56	55	54				50	49			45	43		41			38	37	36	35			73				31		29	28			24	23			20	19	18	17					16		13	12	11		8	7			3	2	1		
	71		69			65	64		61	60		58		56	55	54																																																															
		50	49			45	43		41			38	37	36	35																																																																
73				31		29	28			24	23			20	19	18	17																																																														
				16		13	12	11		8	7			3	2	1																																																															
AVAILABLE	NOT APPLICABLE	34566-4213	0	A	BLACK	<table border="1"> <tr><td>72</td><td>71</td><td></td><td></td><td>68</td><td>67</td><td>66</td><td>65</td><td>64</td><td></td><td></td><td>60</td><td>59</td><td>58</td><td></td><td></td><td></td><td></td></tr> <tr><td></td><td></td><td>50</td><td></td><td>48</td><td>47</td><td>46</td><td>45</td><td></td><td></td><td></td><td>40</td><td>39</td><td>38</td><td></td><td></td><td>35</td><td></td></tr> <tr><td colspan="2">73</td><td></td><td></td><td>31</td><td>30</td><td></td><td></td><td></td><td></td><td>25</td><td>24</td><td></td><td>22</td><td>21</td><td>20</td><td></td><td>17</td></tr> <tr><td colspan="2"></td><td></td><td></td><td></td><td>14</td><td></td><td></td><td></td><td></td><td>9</td><td>7</td><td>6</td><td>5</td><td>4</td><td></td><td>2</td><td>1</td></tr> </table>	72	71			68	67	66	65	64			60	59	58							50		48	47	46	45				40	39	38			35		73				31	30					25	24		22	21	20		17						14					9	7	6	5	4		2	1	
72	71			68	67	66	65	64			60	59	58																																																																		
		50		48	47	46	45				40	39	38			35																																																															
73				31	30					25	24		22	21	20		17																																																														
					14					9	7	6	5	4		2	1																																																														
AVAILABLE	NOT APPLICABLE	34566-4223	0	A	BLACK	<table border="1"> <tr><td>72</td><td>71</td><td></td><td></td><td>68</td><td>67</td><td>66</td><td>65</td><td>64</td><td></td><td></td><td>60</td><td>59</td><td></td><td></td><td></td><td></td><td></td></tr> <tr><td></td><td></td><td>50</td><td></td><td>48</td><td>47</td><td>46</td><td>45</td><td></td><td></td><td></td><td>40</td><td>39</td><td>38</td><td></td><td></td><td>35</td><td>33</td></tr> <tr><td colspan="2">73</td><td></td><td></td><td>31</td><td>30</td><td></td><td></td><td></td><td></td><td>25</td><td>24</td><td>23</td><td>22</td><td>21</td><td>20</td><td></td><td>17</td></tr> <tr><td colspan="2"></td><td></td><td></td><td></td><td>14</td><td></td><td></td><td></td><td></td><td>9</td><td>8</td><td>7</td><td>6</td><td>5</td><td>4</td><td>2</td><td>1</td></tr> </table>	72	71			68	67	66	65	64			60	59								50		48	47	46	45				40	39	38			35	33	73				31	30					25	24	23	22	21	20		17						14					9	8	7	6	5	4	2	1	
72	71			68	67	66	65	64			60	59																																																																			
		50		48	47	46	45				40	39	38			35	33																																																														
73				31	30					25	24	23	22	21	20		17																																																														
					14					9	8	7	6	5	4	2	1																																																														
AVAILABLE	NOT APPLICABLE	34566-4233	0	B	ST GRY	<table border="1"> <tr><td></td><td></td><td></td><td>69</td><td></td><td></td><td>65</td><td>64</td><td>63</td><td></td><td></td><td></td><td></td><td></td><td></td><td></td><td></td><td></td></tr> <tr><td></td><td></td><td></td><td>49</td><td></td><td></td><td>45</td><td>44</td><td>43</td><td></td><td></td><td></td><td></td><td></td><td></td><td></td><td></td><td></td></tr> <tr><td colspan="2">73</td><td></td><td></td><td></td><td></td><td></td><td></td><td></td><td></td><td></td><td></td><td>23</td><td>22</td><td>21</td><td>20</td><td>19</td><td>18</td></tr> <tr><td colspan="2"></td><td></td><td></td><td></td><td></td><td></td><td></td><td></td><td></td><td>12</td><td>11</td><td>9</td><td>7</td><td>6</td><td>5</td><td>4</td><td>3</td></tr> </table>				69			65	64	63													49			45	44	43										73												23	22	21	20	19	18											12	11	9	7	6	5	4	3	
			69			65	64	63																																																																							
			49			45	44	43																																																																							
73												23	22	21	20	19	18																																																														
										12	11	9	7	6	5	4	3																																																														
AVAILABLE	NOT APPLICABLE	34566-4243	0	A	BLACK	<table border="1"> <tr><td></td><td>51</td><td>50</td><td></td><td></td><td>47</td><td>46</td><td></td><td></td><td></td><td>61</td><td></td><td>58</td><td>57</td><td>56</td><td></td><td></td><td></td></tr> <tr><td colspan="2">73</td><td></td><td></td><td></td><td>31</td><td>30</td><td></td><td></td><td></td><td>26</td><td></td><td>22</td><td>21</td><td>20</td><td></td><td></td><td></td></tr> <tr><td colspan="2"></td><td></td><td></td><td></td><td>15</td><td>14</td><td></td><td></td><td></td><td>10</td><td></td><td></td><td></td><td></td><td></td><td></td><td></td></tr> </table>		51	50			47	46				61		58	57	56				73					31	30				26		22	21	20									15	14				10																										
	51	50			47	46				61		58	57	56																																																																	
73					31	30				26		22	21	20																																																																	
					15	14				10																																																																					
AVAILABLE	NOT APPLICABLE	34566-4253	0	A	BLACK	<table border="1"> <tr><td></td><td>51</td><td>50</td><td></td><td></td><td>47</td><td>46</td><td>45</td><td></td><td></td><td>61</td><td></td><td>58</td><td>57</td><td>56</td><td></td><td></td><td></td></tr> <tr><td colspan="2">73</td><td></td><td></td><td></td><td>31</td><td>30</td><td></td><td></td><td></td><td>26</td><td></td><td>22</td><td>21</td><td>20</td><td></td><td></td><td></td></tr> <tr><td colspan="2"></td><td></td><td></td><td></td><td>15</td><td>14</td><td></td><td></td><td></td><td>10</td><td></td><td></td><td></td><td></td><td></td><td></td><td></td></tr> </table>		51	50			47	46	45			61		58	57	56				73					31	30				26		22	21	20									15	14				10																										
	51	50			47	46	45			61		58	57	56																																																																	
73					31	30				26		22	21	20																																																																	
					15	14				10																																																																					
AVAILABLE	NOT APPLICABLE	34566-4263	0	B	ST GRY	<table border="1"> <tr><td>72</td><td>71</td><td>70</td><td>69</td><td>68</td><td></td><td></td><td>65</td><td>64</td><td></td><td>62</td><td>61</td><td>60</td><td></td><td></td><td></td><td></td><td>54</td></tr> <tr><td>52</td><td>51</td><td></td><td></td><td></td><td>47</td><td>46</td><td></td><td>44</td><td></td><td>42</td><td>41</td><td>40</td><td></td><td></td><td></td><td></td><td></td></tr> <tr><td colspan="2">73</td><td></td><td></td><td>32</td><td>31</td><td>30</td><td></td><td>28</td><td></td><td>26</td><td>25</td><td>24</td><td></td><td></td><td>20</td><td>19</td><td>17</td></tr> <tr><td colspan="2"></td><td></td><td></td><td></td><td></td><td></td><td></td><td>12</td><td>11</td><td>10</td><td>9</td><td></td><td></td><td></td><td></td><td>2</td><td>1</td></tr> </table>	72	71	70	69	68			65	64		62	61	60					54	52	51				47	46		44		42	41	40						73				32	31	30		28		26	25	24			20	19	17									12	11	10	9					2	1	
72	71	70	69	68			65	64		62	61	60					54																																																														
52	51				47	46		44		42	41	40																																																																			
73				32	31	30		28		26	25	24			20	19	17																																																														
								12	11	10	9					2	1																																																														
AVAILABLE	NOT APPLICABLE	34566-4273	0	B	ST GRY	<table border="1"> <tr><td>72</td><td>71</td><td>70</td><td>69</td><td>68</td><td>67</td><td>66</td><td>65</td><td>64</td><td></td><td>62</td><td>61</td><td>60</td><td></td><td></td><td></td><td></td><td>54</td></tr> <tr><td>52</td><td>51</td><td></td><td></td><td></td><td>47</td><td>46</td><td></td><td>44</td><td></td><td>42</td><td>41</td><td>40</td><td></td><td></td><td></td><td></td><td></td></tr> <tr><td colspan="2">73</td><td></td><td></td><td>32</td><td>31</td><td>30</td><td></td><td>28</td><td></td><td>26</td><td>25</td><td>24</td><td></td><td></td><td>20</td><td>19</td><td>17</td></tr> <tr><td colspan="2"></td><td></td><td></td><td></td><td></td><td></td><td></td><td>13</td><td>12</td><td>11</td><td>10</td><td>9</td><td>8</td><td></td><td></td><td></td><td>2</td><td>1</td></tr> </table>	72	71	70	69	68	67	66	65	64		62	61	60					54	52	51				47	46		44		42	41	40						73				32	31	30		28		26	25	24			20	19	17									13	12	11	10	9	8				2	1
72	71	70	69	68	67	66	65	64		62	61	60					54																																																														
52	51				47	46		44		42	41	40																																																																			
73				32	31	30		28		26	25	24			20	19	17																																																														
								13	12	11	10	9	8				2	1																																																													

PRE-RELEASE  
REFERENCE  
USE ONLY


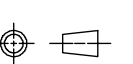
THIS DRAWING CONTAINS INFORMATION THAT IS PROPRIETARY TO MOLEX ELECTRONIC TECHNOLOGIES, LLC AND SHOULD NOT BE USED WITHOUT WRITTEN PERMISSION

EC NO: 120083 DRWN: APODDATURI CHKD: REV APPR: VKOSHY	2017/07/13	2017/08/08	GENERAL TOLERANCES (UNLESS SPECIFIED)	DIMENSION UNITS	SCALE		
			ANGULAR TOL ± °	MM	1:1		
			4 PLACES ±	DRWN BY	DATE		MX123 66/73/80CKT HRNS CONN ASSY
			3 PLACES ±	SKRAJENDRANA	2011/02/14		
			2 PLACES ±	CHKD BY	DATE		PRODUCT CUSTOMER DRAWING
		1 PLACE ±	MVANSLAMBROU	2011/02/14			
		0 PLACES ±	APPR BY	DATE	SERIES	MATERIAL NUMBER	CUSTOMER
		DRAFT WHERE APPLICABLE MUST REMAIN WITHIN DIMENSIONS	DRAWING SIZE	THIRD ANGLE PROJECTION	34566	SEE BOM TABLE	GENERAL MARKET
G55			D		DOCUMENT NUMBER	DOC TYPE	DOC PART SHEET NUMBER
					SD-34566-001	PSD	000 53 OF 98

STATUS	GM PART #	MATERIAL #	WIRE DRESS OPTION	KEY OPTION	COLOR (TPA)	NUMBERS INDICATE CAVITIES OPEN FOR CIRCUITS																																																																																	
AVAILABLE	NOT APPLICABLE	34566-4283	0	A	BLACK	<table border="1"> <tr><td></td><td></td><td>70</td><td>69</td><td></td><td></td><td></td><td></td><td></td><td>63</td><td>62</td><td>61</td><td>60</td><td></td><td></td><td>57</td><td>56</td><td>55</td><td>54</td><td>53</td></tr> <tr><td>52</td><td>51</td><td></td><td>49</td><td></td><td></td><td></td><td></td><td></td><td>44</td><td>43</td><td>42</td><td>41</td><td></td><td></td><td>37</td><td>36</td><td></td><td>34</td><td></td></tr> <tr><td></td><td></td><td>73</td><td></td><td></td><td>32</td><td></td><td></td><td>29</td><td>28</td><td>27</td><td>26</td><td></td><td></td><td>23</td><td></td><td></td><td>19</td><td>18</td><td></td></tr> <tr><td></td><td></td><td></td><td></td><td></td><td>16</td><td>15</td><td></td><td>13</td><td>12</td><td>11</td><td>10</td><td></td><td>8</td><td></td><td></td><td></td><td>3</td><td></td><td></td></tr> </table>			70	69						63	62	61	60			57	56	55	54	53	52	51		49						44	43	42	41			37	36		34				73			32			29	28	27	26			23			19	18							16	15		13	12	11	10		8				3			
		70	69						63	62	61	60			57	56	55	54	53																																																																				
52	51		49						44	43	42	41			37	36		34																																																																					
		73			32			29	28	27	26			23			19	18																																																																					
					16	15		13	12	11	10		8				3																																																																						
AVAILABLE	NOT APPLICABLE	34566-4293	0	B	ST GRY	<table border="1"> <tr><td></td><td></td><td></td><td></td><td></td><td>67</td><td>66</td><td></td><td></td><td>63</td><td></td><td></td><td></td><td></td><td>59</td><td>58</td><td>57</td><td>56</td><td>55</td><td>53</td></tr> <tr><td></td><td></td><td></td><td>50</td><td>49</td><td>48</td><td></td><td></td><td>45</td><td>43</td><td></td><td></td><td></td><td></td><td>39</td><td>38</td><td>37</td><td>36</td><td>35</td><td>34</td><td>33</td></tr> <tr><td></td><td></td><td>73</td><td></td><td></td><td></td><td></td><td></td><td>29</td><td>27</td><td></td><td></td><td></td><td></td><td>23</td><td>22</td><td>21</td><td></td><td></td><td>18</td></tr> <tr><td></td><td></td><td></td><td></td><td></td><td>16</td><td>15</td><td>14</td><td>13</td><td></td><td></td><td></td><td></td><td>8</td><td>7</td><td>6</td><td>5</td><td>4</td><td>3</td><td></td></tr> </table>						67	66			63					59	58	57	56	55	53				50	49	48			45	43					39	38	37	36	35	34	33			73						29	27					23	22	21			18						16	15	14	13					8	7	6	5	4	3	
					67	66			63					59	58	57	56	55	53																																																																				
			50	49	48			45	43					39	38	37	36	35	34	33																																																																			
		73						29	27					23	22	21			18																																																																				
					16	15	14	13					8	7	6	5	4	3																																																																					
AVAILABLE	NOT APPLICABLE	34566-4313	0	B	ST GRY	<table border="1"> <tr><td></td><td></td><td></td><td></td><td></td><td></td><td></td><td></td><td></td><td>63</td><td></td><td></td><td></td><td></td><td>59</td><td>58</td><td>57</td><td>56</td><td>55</td><td>53</td></tr> <tr><td></td><td></td><td></td><td>50</td><td>49</td><td>48</td><td></td><td></td><td>46</td><td>43</td><td></td><td></td><td></td><td></td><td>39</td><td>38</td><td>37</td><td>36</td><td>35</td><td>34</td><td>33</td></tr> <tr><td></td><td></td><td>73</td><td></td><td></td><td></td><td></td><td></td><td>29</td><td>27</td><td></td><td></td><td></td><td></td><td>23</td><td>22</td><td>21</td><td></td><td></td><td>18</td></tr> <tr><td></td><td></td><td></td><td></td><td></td><td>16</td><td>15</td><td>14</td><td>13</td><td></td><td></td><td></td><td></td><td>7</td><td>6</td><td>5</td><td>4</td><td>3</td><td></td><td></td></tr> </table>										63					59	58	57	56	55	53				50	49	48			46	43					39	38	37	36	35	34	33			73						29	27					23	22	21			18						16	15	14	13					7	6	5	4	3		
									63					59	58	57	56	55	53																																																																				
			50	49	48			46	43					39	38	37	36	35	34	33																																																																			
		73						29	27					23	22	21			18																																																																				
					16	15	14	13					7	6	5	4	3																																																																						
AVAILABLE	NOT APPLICABLE	34566-4323	0	B	ST GRY	<table border="1"> <tr><td>72</td><td></td><td>70</td><td></td><td>68</td><td></td><td>66</td><td></td><td></td><td></td><td></td><td></td><td>60</td><td>59</td><td></td><td></td><td></td><td>55</td><td>54</td><td>53</td></tr> <tr><td>52</td><td></td><td>50</td><td></td><td>48</td><td></td><td>46</td><td></td><td></td><td></td><td></td><td></td><td>40</td><td>39</td><td></td><td></td><td></td><td>35</td><td>34</td><td>33</td></tr> <tr><td></td><td></td><td>73</td><td></td><td>32</td><td>31</td><td>30</td><td>29</td><td>28</td><td>27</td><td>26</td><td>25</td><td>24</td><td></td><td></td><td></td><td></td><td>19</td><td>18</td><td>17</td></tr> <tr><td></td><td></td><td></td><td></td><td>16</td><td></td><td></td><td></td><td></td><td></td><td>10</td><td>8</td><td>7</td><td></td><td></td><td></td><td></td><td>2</td><td>1</td><td></td></tr> </table>	72		70		68		66						60	59				55	54	53	52		50		48		46						40	39				35	34	33			73		32	31	30	29	28	27	26	25	24					19	18	17					16						10	8	7					2	1		
72		70		68		66						60	59				55	54	53																																																																				
52		50		48		46						40	39				35	34	33																																																																				
		73		32	31	30	29	28	27	26	25	24					19	18	17																																																																				
				16						10	8	7					2	1																																																																					
AVAILABLE	NOT APPLICABLE	34566-4333	0	A	BLACK	<table border="1"> <tr><td>72</td><td>71</td><td>70</td><td>69</td><td></td><td>67</td><td></td><td></td><td>64</td><td>63</td><td></td><td></td><td>60</td><td>59</td><td></td><td></td><td>56</td><td>55</td><td>54</td><td>53</td></tr> <tr><td>52</td><td>51</td><td></td><td>49</td><td></td><td>47</td><td></td><td>45</td><td>44</td><td>43</td><td>42</td><td>41</td><td></td><td></td><td>38</td><td></td><td>36</td><td></td><td>34</td><td></td></tr> <tr><td></td><td></td><td>73</td><td></td><td>32</td><td></td><td>30</td><td></td><td>28</td><td></td><td>26</td><td>25</td><td></td><td>23</td><td></td><td></td><td></td><td>19</td><td>18</td><td></td></tr> <tr><td></td><td></td><td></td><td></td><td>16</td><td>15</td><td></td><td></td><td>12</td><td></td><td>10</td><td>9</td><td></td><td></td><td></td><td></td><td></td><td>3</td><td></td><td></td></tr> </table>	72	71	70	69		67			64	63			60	59			56	55	54	53	52	51		49		47		45	44	43	42	41			38		36		34				73		32		30		28		26	25		23				19	18						16	15			12		10	9						3			
72	71	70	69		67			64	63			60	59			56	55	54	53																																																																				
52	51		49		47		45	44	43	42	41			38		36		34																																																																					
		73		32		30		28		26	25		23				19	18																																																																					
				16	15			12		10	9						3																																																																						
AVAILABLE	NOT APPLICABLE	34566-4343	0	A	BLACK	<table border="1"> <tr><td>72</td><td>71</td><td>70</td><td>69</td><td></td><td></td><td></td><td></td><td>64</td><td>63</td><td></td><td></td><td>60</td><td>59</td><td>58</td><td></td><td>56</td><td>55</td><td>54</td><td>53</td></tr> <tr><td>52</td><td>51</td><td></td><td>49</td><td></td><td>47</td><td></td><td>45</td><td>44</td><td>43</td><td>42</td><td>41</td><td></td><td></td><td>38</td><td></td><td>36</td><td></td><td>34</td><td></td></tr> <tr><td></td><td></td><td>73</td><td></td><td>32</td><td></td><td>30</td><td></td><td>28</td><td></td><td>26</td><td>25</td><td></td><td></td><td></td><td></td><td></td><td>19</td><td>18</td><td></td></tr> <tr><td></td><td></td><td></td><td></td><td>16</td><td>15</td><td></td><td></td><td>12</td><td></td><td>10</td><td>9</td><td></td><td></td><td></td><td></td><td></td><td>3</td><td></td><td></td></tr> </table>	72	71	70	69					64	63			60	59	58		56	55	54	53	52	51		49		47		45	44	43	42	41			38		36		34				73		32		30		28		26	25						19	18						16	15			12		10	9						3			
72	71	70	69					64	63			60	59	58		56	55	54	53																																																																				
52	51		49		47		45	44	43	42	41			38		36		34																																																																					
		73		32		30		28		26	25						19	18																																																																					
				16	15			12		10	9						3																																																																						
AVAILABLE	NOT APPLICABLE	34566-4353	0	C	BLUE	<table border="1"> <tr><td>72</td><td></td><td>70</td><td></td><td>68</td><td></td><td></td><td></td><td></td><td>63</td><td>62</td><td></td><td></td><td>59</td><td>58</td><td>57</td><td></td><td></td><td></td><td>53</td></tr> <tr><td>52</td><td>51</td><td></td><td></td><td>48</td><td>47</td><td></td><td></td><td>44</td><td>42</td><td></td><td>40</td><td>39</td><td></td><td></td><td></td><td></td><td></td><td>34</td><td>33</td></tr> <tr><td></td><td></td><td>73</td><td></td><td>32</td><td></td><td>30</td><td></td><td></td><td>26</td><td>25</td><td></td><td>23</td><td>22</td><td>21</td><td>20</td><td></td><td></td><td>17</td><td></td></tr> <tr><td></td><td></td><td></td><td></td><td></td><td>15</td><td>14</td><td>13</td><td></td><td></td><td></td><td></td><td>7</td><td>6</td><td>5</td><td>4</td><td></td><td></td><td>1</td><td></td></tr> </table>	72		70		68					63	62			59	58	57				53	52	51			48	47			44	42		40	39						34	33			73		32		30			26	25		23	22	21	20			17							15	14	13					7	6	5	4			1		
72		70		68					63	62			59	58	57				53																																																																				
52	51			48	47			44	42		40	39						34	33																																																																				
		73		32		30			26	25		23	22	21	20			17																																																																					
					15	14	13					7	6	5	4			1																																																																					
AVAILABLE	NOT APPLICABLE	34566-4363	0	A	BLACK	<table border="1"> <tr><td></td><td></td><td>70</td><td>69</td><td></td><td></td><td></td><td></td><td></td><td>63</td><td>62</td><td>61</td><td>60</td><td></td><td>58</td><td>57</td><td>56</td><td>55</td><td>54</td><td>53</td></tr> <tr><td>52</td><td>51</td><td></td><td>49</td><td></td><td></td><td></td><td></td><td>44</td><td>43</td><td>42</td><td>41</td><td></td><td></td><td>37</td><td>36</td><td></td><td>34</td><td></td><td></td></tr> <tr><td></td><td></td><td>73</td><td></td><td>32</td><td></td><td></td><td>29</td><td>28</td><td>27</td><td>26</td><td></td><td>23</td><td></td><td></td><td></td><td>19</td><td>18</td><td></td><td></td></tr> <tr><td></td><td></td><td></td><td></td><td>16</td><td>15</td><td></td><td>13</td><td>12</td><td>11</td><td>10</td><td>8</td><td></td><td></td><td></td><td></td><td>3</td><td></td><td></td><td></td></tr> </table>			70	69						63	62	61	60		58	57	56	55	54	53	52	51		49					44	43	42	41			37	36		34					73		32			29	28	27	26		23				19	18							16	15		13	12	11	10	8					3				
		70	69						63	62	61	60		58	57	56	55	54	53																																																																				
52	51		49					44	43	42	41			37	36		34																																																																						
		73		32			29	28	27	26		23				19	18																																																																						
				16	15		13	12	11	10	8					3																																																																							
AVAILABLE	NOT APPLICABLE	34566-4373	0	A	BLACK	<table border="1"> <tr><td></td><td></td><td>70</td><td>69</td><td></td><td></td><td></td><td></td><td></td><td>63</td><td></td><td></td><td></td><td></td><td>58</td><td></td><td>56</td><td></td><td>54</td><td></td></tr> <tr><td>52</td><td>51</td><td></td><td>49</td><td></td><td></td><td></td><td></td><td>44</td><td>43</td><td>42</td><td>41</td><td>40</td><td></td><td></td><td>36</td><td></td><td>34</td><td></td><td></td></tr> <tr><td></td><td></td><td>73</td><td></td><td>32</td><td></td><td></td><td></td><td>28</td><td>26</td><td></td><td></td><td></td><td></td><td></td><td></td><td>19</td><td>18</td><td>17</td><td></td></tr> <tr><td></td><td></td><td></td><td></td><td>16</td><td></td><td></td><td></td><td>12</td><td>10</td><td></td><td></td><td></td><td></td><td></td><td></td><td>3</td><td>2</td><td>1</td><td></td></tr> </table>			70	69						63					58		56		54		52	51		49					44	43	42	41	40			36		34					73		32				28	26							19	18	17						16				12	10							3	2	1		
		70	69						63					58		56		54																																																																					
52	51		49					44	43	42	41	40			36		34																																																																						
		73		32				28	26							19	18	17																																																																					
				16				12	10							3	2	1																																																																					

PRE-RELEASE REFERENCE USE ONLY

THIS DRAWING CONTAINS INFORMATION THAT IS PROPRIETARY TO MOLEX ELECTRONIC TECHNOLOGIES, LLC AND SHOULD NOT BE USED WITHOUT WRITTEN PERMISSION

EC NO: 120093 DRWN: APODDATURI CHKD: REV APPR: VKOSHY	2017/07/13	GENERAL TOLERANCES (UNLESS SPECIFIED)  ANGULAR TOL ± ° 4 PLACES ± 3 PLACES ± 2 PLACES ± 1 PLACE ± 0 PLACES ± DRAFT WHERE APPLICABLE MUST REMAIN WITHIN DIMENSIONS	DIMENSION UNITS	SCALE	  <b>MX123</b> <b>66/73/80CKT HRNS CONN ASSY</b>  <b>PRODUCT CUSTOMER DRAWING</b>	
			MM	1:1		
	DRWN BY		DATE	SKRAJENDRANA		2011/02/14
	CHKD BY		DATE	MVANSLAMBROU		2011/02/14
	APPR BY		DATE			
	DRAWING SIZE	THIRD ANGLE PROJECTION	D			
G55		SERIES	MATERIAL NUMBER	CUSTOMER	34566 SEE BOM TABLE GENERAL MARKET	
		DOCUMENT NUMBER	DOC TYPE	DOC PART	SHEET NUMBER	
		SD-34566-001	PSD	000	54 OF 98	



STATUS	GM PART #	MATERIAL #	WIRE DRESS OPTION	KEY OPTION	COLOR (TPA)	NUMBERS INDICATE CAVITIES OPEN FOR CIRCUITS																																																																												
AVAILABLE	NOT APPLICABLE	34566-4383	0	H	ST GRN	<table border="1"> <tr><td></td><td></td><td></td><td></td><td>74</td><td>73</td><td>72</td><td>71</td><td></td><td>69</td><td>68</td><td>67</td><td></td><td></td><td>64</td><td>62</td><td>61</td></tr> <tr><td></td><td></td><td></td><td></td><td>54</td><td></td><td>52</td><td></td><td></td><td>49</td><td>48</td><td>47</td><td></td><td></td><td></td><td>42</td><td>41</td></tr> <tr><td></td><td></td><td>38</td><td></td><td></td><td></td><td>33</td><td></td><td></td><td>29</td><td></td><td>27</td><td></td><td>25</td><td></td><td></td><td></td></tr> <tr><td></td><td></td><td>18</td><td></td><td>15</td><td>14</td><td></td><td></td><td>11</td><td>10</td><td>9</td><td>8</td><td>7</td><td></td><td></td><td></td><td></td></tr> </table>					74	73	72	71		69	68	67			64	62	61					54		52			49	48	47				42	41			38				33			29		27		25						18		15	14			11	10	9	8	7												
				74	73	72	71		69	68	67			64	62	61																																																																		
				54		52			49	48	47				42	41																																																																		
		38				33			29		27		25																																																																					
		18		15	14			11	10	9	8	7																																																																						
AVAILABLE	NOT APPLICABLE	34566-4393	0	G	BLUE	<table border="1"> <tr><td></td><td></td><td>78</td><td>77</td><td>75</td><td>74</td><td></td><td>72</td><td></td><td>70</td><td>69</td><td></td><td>67</td><td></td><td>65</td><td>64</td><td>63</td><td>62</td></tr> <tr><td>60</td><td></td><td>58</td><td>57</td><td></td><td>55</td><td>54</td><td></td><td>52</td><td>51</td><td>50</td><td>49</td><td></td><td>47</td><td></td><td>45</td><td></td><td></td></tr> <tr><td>40</td><td></td><td>38</td><td>37</td><td></td><td></td><td></td><td>33</td><td>32</td><td>31</td><td></td><td></td><td></td><td>27</td><td>26</td><td>25</td><td>24</td><td></td></tr> <tr><td>20</td><td></td><td>18</td><td>17</td><td></td><td></td><td></td><td></td><td></td><td></td><td>10</td><td>9</td><td>8</td><td></td><td>6</td><td>5</td><td></td><td>3 2 1</td></tr> </table>			78	77	75	74		72		70	69		67		65	64	63	62	60		58	57		55	54		52	51	50	49		47		45			40		38	37				33	32	31				27	26	25	24		20		18	17							10	9	8		6	5		3 2 1				
		78	77	75	74		72		70	69		67		65	64	63	62																																																																	
60		58	57		55	54		52	51	50	49		47		45																																																																			
40		38	37				33	32	31				27	26	25	24																																																																		
20		18	17							10	9	8		6	5		3 2 1																																																																	
AVAILABLE	NOT APPLICABLE	34566-4413	0	B	ST GRN	<table border="1"> <tr><td></td><td></td><td></td><td></td><td></td><td></td><td></td><td></td><td>63</td><td></td><td></td><td></td><td></td><td>59</td><td>58</td><td>57</td><td>56</td><td>55</td><td>53</td></tr> <tr><td></td><td></td><td>50</td><td>49</td><td>48</td><td></td><td>46</td><td></td><td>43</td><td></td><td></td><td></td><td></td><td>39</td><td>38</td><td>37</td><td>36</td><td>35</td><td>34 33</td></tr> <tr><td></td><td>73</td><td></td><td></td><td></td><td></td><td>29</td><td>27</td><td></td><td></td><td></td><td></td><td></td><td>23</td><td>22</td><td>21</td><td></td><td></td><td>18</td></tr> <tr><td></td><td></td><td></td><td>16</td><td>15</td><td>14</td><td></td><td></td><td></td><td></td><td></td><td></td><td></td><td>7</td><td>6</td><td>5</td><td>4</td><td>3</td><td></td></tr> </table>									63					59	58	57	56	55	53			50	49	48		46		43					39	38	37	36	35	34 33		73					29	27						23	22	21			18				16	15	14								7	6	5	4	3	
								63					59	58	57	56	55	53																																																																
		50	49	48		46		43					39	38	37	36	35	34 33																																																																
	73					29	27						23	22	21			18																																																																
			16	15	14								7	6	5	4	3																																																																	
AVAILABLE	NOT APPLICABLE	34566-4423	9	C	BLUE	<table border="1"> <tr><td>72</td><td></td><td>70</td><td></td><td>68</td><td>67</td><td>66</td><td></td><td></td><td>63</td><td>62</td><td></td><td></td><td>59</td><td>57</td><td></td><td></td><td></td><td>53</td></tr> <tr><td>52</td><td>51</td><td></td><td></td><td>48</td><td>47</td><td>46</td><td></td><td>44</td><td></td><td>42</td><td></td><td>40</td><td>39</td><td>38</td><td>37</td><td>36</td><td></td><td>34 33</td></tr> <tr><td></td><td>73</td><td></td><td></td><td>32</td><td></td><td>30</td><td></td><td></td><td>27</td><td>26</td><td>25</td><td>24</td><td></td><td>22</td><td>21</td><td></td><td></td><td></td></tr> <tr><td></td><td></td><td></td><td></td><td></td><td>15</td><td>14</td><td></td><td></td><td></td><td>10</td><td>9</td><td>8</td><td></td><td>6</td><td>5</td><td>4</td><td></td><td>2</td></tr> </table>	72		70		68	67	66			63	62			59	57				53	52	51			48	47	46		44		42		40	39	38	37	36		34 33		73			32		30			27	26	25	24		22	21									15	14				10	9	8		6	5	4		2
72		70		68	67	66			63	62			59	57				53																																																																
52	51			48	47	46		44		42		40	39	38	37	36		34 33																																																																
	73			32		30			27	26	25	24		22	21																																																																			
					15	14				10	9	8		6	5	4		2																																																																
AVAILABLE	NOT APPLICABLE	34566-4433	9	A	BLACK	<table border="1"> <tr><td></td><td></td><td>70</td><td>69</td><td></td><td></td><td></td><td></td><td></td><td>63</td><td>62</td><td>61</td><td>60</td><td></td><td>58</td><td>57</td><td>56</td><td>55</td><td>54 53</td></tr> <tr><td>52</td><td>51</td><td>50</td><td>49</td><td></td><td></td><td></td><td></td><td>44</td><td>43</td><td>42</td><td>41</td><td>40</td><td></td><td></td><td>37</td><td>36</td><td></td><td>34</td></tr> <tr><td></td><td>73</td><td></td><td></td><td>32</td><td></td><td></td><td>29</td><td>28</td><td>27</td><td>26</td><td></td><td></td><td></td><td></td><td></td><td></td><td>19</td><td>18</td></tr> <tr><td></td><td></td><td></td><td></td><td></td><td>16</td><td>15</td><td>14</td><td>13</td><td>12</td><td>11</td><td>10</td><td></td><td></td><td></td><td></td><td></td><td>3</td><td></td></tr> </table>			70	69						63	62	61	60		58	57	56	55	54 53	52	51	50	49					44	43	42	41	40			37	36		34		73			32			29	28	27	26							19	18						16	15	14	13	12	11	10						3	
		70	69						63	62	61	60		58	57	56	55	54 53																																																																
52	51	50	49					44	43	42	41	40			37	36		34																																																																
	73			32			29	28	27	26							19	18																																																																
					16	15	14	13	12	11	10						3																																																																	
AVAILABLE	NOT APPLICABLE	34566-4443	9	A	BLACK	<table border="1"> <tr><td></td><td></td><td></td><td></td><td></td><td>67</td><td>66</td><td></td><td></td><td></td><td></td><td></td><td></td><td></td><td></td><td></td><td></td><td></td><td></td></tr> <tr><td></td><td></td><td></td><td></td><td></td><td>48</td><td>47</td><td></td><td></td><td></td><td>41</td><td></td><td></td><td></td><td></td><td></td><td></td><td></td><td></td></tr> <tr><td></td><td>73</td><td></td><td></td><td>32</td><td>31</td><td>30</td><td>29</td><td></td><td>27</td><td>26</td><td>25</td><td></td><td></td><td>22</td><td>21</td><td></td><td>19</td><td>18 17</td></tr> <tr><td></td><td></td><td></td><td></td><td></td><td>16</td><td>15</td><td>14</td><td>13</td><td></td><td>11</td><td>10</td><td>9</td><td>8</td><td>7</td><td>6</td><td>5</td><td>4</td><td>3 1</td></tr> </table>						67	66																		48	47				41										73			32	31	30	29		27	26	25			22	21		19	18 17						16	15	14	13		11	10	9	8	7	6	5	4	3 1
					67	66																																																																												
					48	47				41																																																																								
	73			32	31	30	29		27	26	25			22	21		19	18 17																																																																
					16	15	14	13		11	10	9	8	7	6	5	4	3 1																																																																
AVAILABLE	NOT APPLICABLE	34566-4453	0	A	BLACK	<table border="1"> <tr><td>72</td><td>71</td><td>70</td><td>69</td><td>68</td><td></td><td></td><td>65</td><td>64</td><td>63</td><td>62</td><td>61</td><td>60</td><td>59</td><td>58</td><td>57</td><td>56</td><td>55</td><td>54 53</td></tr> <tr><td>52</td><td>51</td><td>50</td><td>49</td><td>48</td><td></td><td>46</td><td>45</td><td>44</td><td>43</td><td>42</td><td></td><td>40</td><td>39</td><td>38</td><td>37</td><td>36</td><td>35</td><td>34 33</td></tr> <tr><td></td><td>73</td><td></td><td></td><td></td><td></td><td></td><td>28</td><td></td><td></td><td>24</td><td>23</td><td></td><td></td><td></td><td></td><td>20</td><td></td><td>2</td></tr> <tr><td></td><td></td><td></td><td></td><td></td><td></td><td></td><td></td><td>12</td><td>11</td><td></td><td></td><td></td><td></td><td></td><td></td><td></td><td></td><td>1</td></tr> </table>	72	71	70	69	68			65	64	63	62	61	60	59	58	57	56	55	54 53	52	51	50	49	48		46	45	44	43	42		40	39	38	37	36	35	34 33		73						28			24	23					20		2									12	11									1
72	71	70	69	68			65	64	63	62	61	60	59	58	57	56	55	54 53																																																																
52	51	50	49	48		46	45	44	43	42		40	39	38	37	36	35	34 33																																																																
	73						28			24	23					20		2																																																																
								12	11									1																																																																
AVAILABLE	NOT APPLICABLE	34566-4463	9	B	ST GRN	<table border="1"> <tr><td></td><td></td><td></td><td></td><td></td><td></td><td></td><td></td><td>63</td><td></td><td></td><td></td><td></td><td></td><td></td><td></td><td></td><td></td><td>53</td></tr> <tr><td></td><td></td><td></td><td></td><td>48</td><td>47</td><td></td><td></td><td>43</td><td>42</td><td></td><td></td><td>39</td><td></td><td></td><td></td><td></td><td>35</td><td>34 33</td></tr> <tr><td></td><td>73</td><td></td><td></td><td></td><td></td><td></td><td></td><td></td><td>26</td><td></td><td></td><td>23</td><td>22</td><td></td><td></td><td></td><td>19</td><td></td></tr> <tr><td></td><td></td><td></td><td></td><td></td><td></td><td></td><td></td><td>11</td><td></td><td></td><td></td><td></td><td></td><td></td><td></td><td></td><td></td><td>1</td></tr> </table>									63										53					48	47			43	42			39					35	34 33		73								26			23	22				19										11										1
								63										53																																																																
				48	47			43	42			39					35	34 33																																																																
	73								26			23	22				19																																																																	
								11										1																																																																
AVAILABLE	NOT APPLICABLE	34566-4473	0	B	ST GRN	<table border="1"> <tr><td></td><td></td><td></td><td></td><td></td><td></td><td></td><td></td><td>64</td><td>63</td><td>62</td><td></td><td></td><td>59</td><td>58</td><td></td><td></td><td></td><td>53</td></tr> <tr><td></td><td></td><td></td><td></td><td></td><td>47</td><td>45</td><td></td><td>43</td><td>42</td><td></td><td></td><td></td><td>39</td><td></td><td></td><td></td><td></td><td>35 34 33</td></tr> <tr><td></td><td>73</td><td></td><td></td><td></td><td></td><td></td><td></td><td></td><td>26</td><td>25</td><td></td><td></td><td>23</td><td>22</td><td></td><td></td><td></td><td></td></tr> <tr><td></td><td></td><td></td><td></td><td></td><td></td><td></td><td></td><td></td><td></td><td></td><td></td><td></td><td></td><td></td><td></td><td>3</td><td></td><td>1</td></tr> </table>									64	63	62			59	58				53						47	45		43	42				39					35 34 33		73								26	25			23	22																					3		1
								64	63	62			59	58				53																																																																
					47	45		43	42				39					35 34 33																																																																
	73								26	25			23	22																																																																				
																3		1																																																																


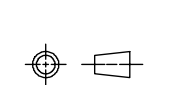
PRE-RELEASE  
REFERENCE  
USE ONLY

THIS DRAWING CONTAINS INFORMATION THAT IS PROPRIETARY TO MOLEX ELECTRONIC TECHNOLOGIES, LLC AND SHOULD NOT BE USED WITHOUT WRITTEN PERMISSION

EC NO: 120083 DRWN: APODDATURI CHKD: REV: APPR: VKOSHY	2017/07/13 2017/08/08	GENERAL TOLERANCES (UNLESS SPECIFIED) ANGULAR TOL ± ° 4 PLACES ± 3 PLACES ± 2 PLACES ± 1 PLACE ± 0 PLACES ± DRAFT WHERE APPLICABLE MUST REMAIN WITHIN DIMENSIONS	DIMENSION UNITS: MM SCALE: 1:1 DRWN BY: SKRAJENDRANA DATE: 2011/02/14 CHKD BY: MVANSLAMBROU DATE: 2011/02/14 APPR BY:	
	PRODUCT CUSTOMER DRAWING		SERIES: 34566 MATERIAL NUMBER: SEE BOM TABLE CUSTOMER: GENERAL MARKET	DIMENSION UNITS: D THIRD ANGLE PROJECTION
RELEASE STATUS RELEASE DATE	DOCUMENT NUMBER: SD-34566-001 DOC TYPE: PSD DOC PART: 000 SHEET NUMBER: 55 OF 98			

STATUS	GM PART #	MATERIAL #	WIRE DRESS OPTION	KEY OPTION	COLOR (TPA)	NUMBERS INDICATE CAVITIES OPEN FOR CIRCUITS																																																																																	
						⚡																																																																																	
AVAILABLE	NOT APPLICABLE	34566-4483	9	C	BLUE	<table border="1"> <tr><td>72</td><td></td><td>70</td><td></td><td>68</td><td>67</td><td>66</td><td></td><td></td><td>63</td><td>62</td><td></td><td></td><td>59</td><td>58</td><td>57</td><td>56</td><td>55</td><td></td><td>53</td></tr> <tr><td>52</td><td>51</td><td></td><td>49</td><td>48</td><td>47</td><td>46</td><td></td><td>44</td><td></td><td></td><td></td><td></td><td>40</td><td>39</td><td>38</td><td>37</td><td>36</td><td></td><td>34</td><td>33</td></tr> <tr><td colspan="3">73</td><td></td><td>32</td><td></td><td>30</td><td></td><td></td><td>27</td><td>26</td><td>25</td><td>24</td><td>23</td><td>22</td><td>21</td><td>20</td><td>19</td><td>18</td><td>17</td></tr> <tr><td></td><td></td><td></td><td></td><td></td><td>15</td><td>14</td><td>13</td><td></td><td></td><td>10</td><td>9</td><td>8</td><td>7</td><td>6</td><td>5</td><td>4</td><td>3</td><td>2</td><td>1</td></tr> </table>	72		70		68	67	66			63	62			59	58	57	56	55		53	52	51		49	48	47	46		44					40	39	38	37	36		34	33	73				32		30			27	26	25	24	23	22	21	20	19	18	17						15	14	13			10	9	8	7	6	5	4	3	2	1
72		70		68	67	66			63	62			59	58	57	56	55		53																																																																				
52	51		49	48	47	46		44					40	39	38	37	36		34	33																																																																			
73				32		30			27	26	25	24	23	22	21	20	19	18	17																																																																				
					15	14	13			10	9	8	7	6	5	4	3	2	1																																																																				
AVAILABLE	NOT APPLICABLE	34566-4493	9	A	BLACK	<table border="1"> <tr><td>72</td><td>71</td><td>70</td><td>69</td><td></td><td>67</td><td></td><td></td><td>64</td><td>63</td><td>62</td><td>61</td><td>60</td><td>59</td><td>58</td><td>57</td><td>56</td><td>55</td><td>54</td><td>53</td></tr> <tr><td>52</td><td>51</td><td>50</td><td>49</td><td>48</td><td>47</td><td></td><td>45</td><td>44</td><td>43</td><td>42</td><td>41</td><td>40</td><td>39</td><td></td><td>37</td><td>36</td><td></td><td>34</td><td></td></tr> <tr><td colspan="3">73</td><td></td><td>32</td><td></td><td>30</td><td>29</td><td>28</td><td>27</td><td>26</td><td></td><td>24</td><td>23</td><td></td><td>21</td><td></td><td>19</td><td>18</td><td>17</td></tr> <tr><td></td><td></td><td></td><td></td><td></td><td>16</td><td>15</td><td>14</td><td>13</td><td>12</td><td>11</td><td>10</td><td></td><td>8</td><td></td><td></td><td>5</td><td></td><td>3</td><td>2</td><td>1</td></tr> </table>	72	71	70	69		67			64	63	62	61	60	59	58	57	56	55	54	53	52	51	50	49	48	47		45	44	43	42	41	40	39		37	36		34		73				32		30	29	28	27	26		24	23		21		19	18	17						16	15	14	13	12	11	10		8			5		3	2	1
72	71	70	69		67			64	63	62	61	60	59	58	57	56	55	54	53																																																																				
52	51	50	49	48	47		45	44	43	42	41	40	39		37	36		34																																																																					
73				32		30	29	28	27	26		24	23		21		19	18	17																																																																				
					16	15	14	13	12	11	10		8			5		3	2	1																																																																			
AVAILABLE	NOT APPLICABLE	34566-4513	9	B	ST GRY	<table border="1"> <tr><td>72</td><td>71</td><td>70</td><td></td><td>68</td><td>67</td><td>66</td><td></td><td></td><td></td><td>62</td><td>61</td><td>60</td><td>59</td><td>58</td><td>57</td><td>56</td><td>55</td><td>54</td><td>53</td></tr> <tr><td>52</td><td>51</td><td>50</td><td></td><td>48</td><td>47</td><td>46</td><td></td><td></td><td></td><td>42</td><td>41</td><td>40</td><td>39</td><td>38</td><td>37</td><td>36</td><td>35</td><td>34</td><td>33</td></tr> <tr><td colspan="3">73</td><td></td><td>32</td><td>31</td><td>30</td><td>29</td><td>28</td><td>27</td><td>26</td><td>25</td><td>24</td><td>23</td><td></td><td></td><td></td><td>19</td><td>18</td><td>17</td></tr> <tr><td></td><td></td><td></td><td></td><td></td><td>16</td><td>15</td><td>14</td><td>13</td><td></td><td>10</td><td></td><td>8</td><td>7</td><td></td><td></td><td></td><td>3</td><td>2</td><td>1</td></tr> </table>	72	71	70		68	67	66				62	61	60	59	58	57	56	55	54	53	52	51	50		48	47	46				42	41	40	39	38	37	36	35	34	33	73				32	31	30	29	28	27	26	25	24	23				19	18	17						16	15	14	13		10		8	7				3	2	1	
72	71	70		68	67	66				62	61	60	59	58	57	56	55	54	53																																																																				
52	51	50		48	47	46				42	41	40	39	38	37	36	35	34	33																																																																				
73				32	31	30	29	28	27	26	25	24	23				19	18	17																																																																				
					16	15	14	13		10		8	7				3	2	1																																																																				
AVAILABLE	NOT APPLICABLE	34566-4523	0	G	BLUE	<table border="1"> <tr><td></td><td></td><td>78</td><td>77</td><td></td><td>75</td><td>74</td><td></td><td>72</td><td></td><td>70</td><td>69</td><td></td><td>67</td><td></td><td>65</td><td>64</td><td>63</td><td>62</td><td></td></tr> <tr><td>60</td><td></td><td>58</td><td>57</td><td></td><td>55</td><td>54</td><td></td><td>52</td><td>51</td><td>50</td><td>49</td><td></td><td>47</td><td></td><td>45</td><td></td><td></td><td></td><td></td></tr> <tr><td>40</td><td></td><td>38</td><td>37</td><td></td><td></td><td></td><td></td><td></td><td>31</td><td></td><td></td><td></td><td>27</td><td>26</td><td>25</td><td>24</td><td></td><td></td><td></td></tr> <tr><td>20</td><td></td><td>18</td><td>17</td><td></td><td></td><td></td><td></td><td></td><td></td><td>10</td><td>9</td><td>8</td><td></td><td>6</td><td>5</td><td></td><td></td><td>3</td><td>2</td><td>1</td></tr> </table>			78	77		75	74		72		70	69		67		65	64	63	62		60		58	57		55	54		52	51	50	49		47		45					40		38	37						31				27	26	25	24				20		18	17							10	9	8		6	5			3	2	1
		78	77		75	74		72		70	69		67		65	64	63	62																																																																					
60		58	57		55	54		52	51	50	49		47		45																																																																								
40		38	37						31				27	26	25	24																																																																							
20		18	17							10	9	8		6	5			3	2	1																																																																			
AVAILABLE	NOT APPLICABLE	34566-4533	0	A	BLACK	<table border="1"> <tr><td>72</td><td></td><td></td><td>69</td><td></td><td>67</td><td></td><td>65</td><td></td><td>63</td><td></td><td></td><td>60</td><td></td><td></td><td>57</td><td>56</td><td></td><td></td><td>53</td></tr> <tr><td></td><td></td><td></td><td>49</td><td></td><td>47</td><td></td><td></td><td>44</td><td>43</td><td></td><td></td><td>40</td><td></td><td></td><td>37</td><td>36</td><td>35</td><td></td><td>33</td></tr> <tr><td colspan="3">73</td><td></td><td></td><td>31</td><td>30</td><td>29</td><td>28</td><td></td><td></td><td>24</td><td></td><td></td><td>21</td><td>20</td><td></td><td></td><td></td><td>17</td></tr> <tr><td></td><td></td><td></td><td></td><td></td><td>16</td><td>15</td><td>14</td><td>13</td><td></td><td>11</td><td>10</td><td></td><td></td><td></td><td>5</td><td>4</td><td>3</td><td>2</td><td>1</td></tr> </table>	72			69		67		65		63			60			57	56			53				49		47			44	43			40			37	36	35		33	73					31	30	29	28			24			21	20				17						16	15	14	13		11	10				5	4	3	2	1	
72			69		67		65		63			60			57	56			53																																																																				
			49		47			44	43			40			37	36	35		33																																																																				
73					31	30	29	28			24			21	20				17																																																																				
					16	15	14	13		11	10				5	4	3	2	1																																																																				
AVAILABLE	NOT APPLICABLE	34566-4543	0	B	ST GRY	<table border="1"> <tr><td></td><td></td><td></td><td></td><td>68</td><td>67</td><td></td><td></td><td>64</td><td>63</td><td></td><td></td><td></td><td></td><td>58</td><td>57</td><td></td><td>55</td><td>53</td><td></td></tr> <tr><td></td><td></td><td></td><td></td><td></td><td></td><td>46</td><td>45</td><td></td><td>43</td><td></td><td></td><td></td><td></td><td>38</td><td>37</td><td></td><td>35</td><td></td><td></td></tr> <tr><td colspan="3">73</td><td></td><td></td><td>32</td><td></td><td>30</td><td>29</td><td>28</td><td>27</td><td></td><td></td><td></td><td>22</td><td>21</td><td></td><td>19</td><td></td><td>17</td></tr> <tr><td></td><td></td><td></td><td></td><td></td><td></td><td></td><td></td><td></td><td>12</td><td></td><td>10</td><td></td><td></td><td></td><td></td><td></td><td></td><td></td><td>1</td></tr> </table>					68	67			64	63					58	57		55	53								46	45		43					38	37		35			73					32		30	29	28	27				22	21		19		17										12		10								1	
				68	67			64	63					58	57		55	53																																																																					
						46	45		43					38	37		35																																																																						
73					32		30	29	28	27				22	21		19		17																																																																				
									12		10								1																																																																				
AVAILABLE	NOT APPLICABLE	34566-4553	0	B	ST GRY	<table border="1"> <tr><td></td><td></td><td></td><td></td><td>68</td><td>67</td><td></td><td></td><td>64</td><td>63</td><td></td><td></td><td></td><td></td><td>58</td><td>57</td><td></td><td></td><td></td><td>53</td></tr> <tr><td></td><td></td><td></td><td></td><td></td><td></td><td>46</td><td>45</td><td></td><td>43</td><td></td><td></td><td></td><td></td><td>38</td><td>37</td><td></td><td></td><td></td><td></td></tr> <tr><td colspan="3">73</td><td></td><td></td><td>32</td><td></td><td>30</td><td>29</td><td>28</td><td>27</td><td></td><td></td><td></td><td>22</td><td>21</td><td></td><td></td><td></td><td>17</td></tr> <tr><td></td><td></td><td></td><td></td><td></td><td></td><td></td><td></td><td></td><td>12</td><td></td><td>10</td><td></td><td></td><td></td><td></td><td></td><td></td><td></td><td></td></tr> </table>					68	67			64	63					58	57				53							46	45		43					38	37					73					32		30	29	28	27				22	21				17										12		10									
				68	67			64	63					58	57				53																																																																				
						46	45		43					38	37																																																																								
73					32		30	29	28	27				22	21				17																																																																				
									12		10																																																																												
AVAILABLE	NOT APPLICABLE	34566-4563	0	B	ST GRY	<table border="1"> <tr><td></td><td></td><td></td><td></td><td>68</td><td>67</td><td></td><td></td><td>64</td><td>63</td><td></td><td></td><td></td><td></td><td>58</td><td></td><td></td><td>55</td><td>53</td><td></td></tr> <tr><td></td><td></td><td></td><td></td><td></td><td></td><td>46</td><td>45</td><td></td><td>43</td><td></td><td></td><td></td><td></td><td>38</td><td></td><td></td><td>35</td><td></td><td></td></tr> <tr><td colspan="3">73</td><td></td><td></td><td>32</td><td></td><td>30</td><td>29</td><td>28</td><td>27</td><td></td><td></td><td></td><td>22</td><td></td><td></td><td>19</td><td></td><td>17</td></tr> <tr><td></td><td></td><td></td><td></td><td></td><td></td><td></td><td></td><td></td><td>12</td><td></td><td>10</td><td></td><td></td><td></td><td></td><td></td><td></td><td></td><td>1</td></tr> </table>					68	67			64	63					58			55	53								46	45		43					38			35			73					32		30	29	28	27				22			19		17										12		10								1	
				68	67			64	63					58			55	53																																																																					
						46	45		43					38			35																																																																						
73					32		30	29	28	27				22			19		17																																																																				
									12		10								1																																																																				
AVAILABLE	NOT APPLICABLE	34566-4573	0	B	ST GRY	<table border="1"> <tr><td></td><td></td><td></td><td></td><td>68</td><td>67</td><td></td><td></td><td>64</td><td>63</td><td></td><td></td><td></td><td></td><td>58</td><td></td><td></td><td></td><td></td><td>53</td></tr> <tr><td></td><td></td><td></td><td></td><td></td><td></td><td>46</td><td>45</td><td></td><td>43</td><td></td><td></td><td></td><td></td><td>38</td><td></td><td></td><td></td><td></td><td></td></tr> <tr><td colspan="3">73</td><td></td><td></td><td>32</td><td></td><td>30</td><td>29</td><td>28</td><td>27</td><td></td><td></td><td></td><td>22</td><td></td><td></td><td></td><td></td><td>17</td></tr> <tr><td></td><td></td><td></td><td></td><td></td><td></td><td></td><td></td><td></td><td>12</td><td></td><td>10</td><td></td><td></td><td></td><td></td><td></td><td></td><td></td><td></td></tr> </table>					68	67			64	63					58					53							46	45		43					38						73					32		30	29	28	27				22					17										12		10									
				68	67			64	63					58					53																																																																				
						46	45		43					38																																																																									
73					32		30	29	28	27				22					17																																																																				
									12		10																																																																												

PRE-RELEASE  
REFERENCE  
USE ONLY


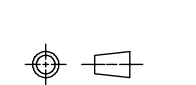
EC NO: 120093		2017/07/13		GENERAL TOLERANCES (UNLESS SPECIFIED)		DIMENSION UNITS	SCALE	THIS DRAWING CONTAINS INFORMATION THAT IS PROPRIETARY TO MOLEX ELECTRONIC TECHNOLOGIES, LLC AND SHOULD NOT BE USED WITHOUT WRITTEN PERMISSION	
DRWN: APODDATURI		2017/08/08		ANGULAR TOL ± °		MM	1:1	 MX123 66/73/80CKT HRNS CONN ASSY	
CHKD:				4 PLACES ±		DRWN BY	DATE		
REV:				3 PLACES ±		SKRAJENDRANA	2011/02/14	SERIES	
				2 PLACES ±		CHKD BY	DATE	MATERIAL NUMBER	
				1 PLACE ±		MVANSLAMBROU	2011/02/14	CUSTOMER	
				0 PLACES ±		APPR BY	DATE	GENERAL MARKET	
DRAFT WHERE APPLICABLE MUST REMAIN WITHIN DIMENSIONS				DRAWING SIZE		THIRD ANGLE PROJECTION			
				D					
G55				DOCUMENT NUMBER		DOC TYPE		DOC PART SHEET NUMBER	
				SD-34566-001		PSD		000 56 OF 98	



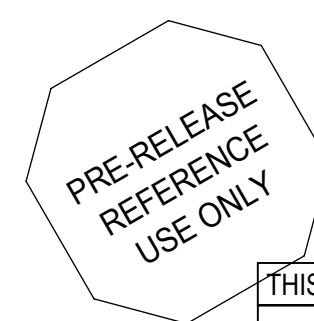
STATUS	GM PART #	MATERIAL #	WIRE DRESS OPTION	KEY OPTION	COLOR (TPA)	NUMBERS INDICATE CAVITIES OPEN FOR CIRCUITS																																																																																				
AVAILABLE	NOT APPLICABLE	34566-4683	9	B	ST GRY	<table border="1"> <tr><td>72</td><td>71</td><td>70</td><td>69</td><td>68</td><td>67</td><td>66</td><td>65</td><td>64</td><td></td><td>62</td><td>61</td><td>60</td><td>59</td><td>58</td><td>57</td><td>56</td><td>55</td><td>54</td></tr> <tr><td>52</td><td>51</td><td>50</td><td>49</td><td></td><td></td><td>46</td><td></td><td>44</td><td></td><td></td><td>41</td><td>40</td><td></td><td>38</td><td>37</td><td>36</td><td></td><td></td></tr> <tr><td colspan="4">73</td><td>32</td><td>31</td><td>30</td><td>29</td><td>28</td><td>27</td><td></td><td>25</td><td>24</td><td></td><td>21</td><td>20</td><td></td><td>18</td><td>17</td></tr> <tr><td colspan="4"></td><td>16</td><td>15</td><td>14</td><td>13</td><td>12</td><td></td><td>10</td><td>9</td><td>8</td><td>7</td><td>6</td><td>5</td><td>4</td><td>3</td><td>2</td></tr> </table>	72	71	70	69	68	67	66	65	64		62	61	60	59	58	57	56	55	54	52	51	50	49			46		44			41	40		38	37	36			73				32	31	30	29	28	27		25	24		21	20		18	17					16	15	14	13	12		10	9	8	7	6	5	4	3	2								
72	71	70	69	68	67	66	65	64		62	61	60	59	58	57	56	55	54																																																																								
52	51	50	49			46		44			41	40		38	37	36																																																																										
73				32	31	30	29	28	27		25	24		21	20		18	17																																																																								
				16	15	14	13	12		10	9	8	7	6	5	4	3	2																																																																								
AVAILABLE	NOT APPLICABLE	34566-4693	0	B	ST GRY	<table border="1"> <tr><td>72</td><td>71</td><td>70</td><td>69</td><td>68</td><td>67</td><td>66</td><td>65</td><td></td><td></td><td>61</td><td>60</td><td></td><td></td><td>57</td><td>56</td><td>55</td><td>54</td><td></td></tr> <tr><td>52</td><td>51</td><td>50</td><td>49</td><td>48</td><td></td><td>46</td><td></td><td>44</td><td></td><td>41</td><td>40</td><td></td><td></td><td>38</td><td>37</td><td>36</td><td></td><td></td></tr> <tr><td colspan="4">73</td><td>32</td><td>31</td><td>30</td><td>29</td><td>28</td><td>27</td><td></td><td>24</td><td></td><td></td><td>21</td><td>20</td><td>19</td><td>18</td><td>17</td></tr> <tr><td colspan="4"></td><td>16</td><td>15</td><td>14</td><td>13</td><td>12</td><td>11</td><td>10</td><td>9</td><td>8</td><td>7</td><td>6</td><td>5</td><td>4</td><td></td><td>2</td></tr> </table>	72	71	70	69	68	67	66	65			61	60			57	56	55	54		52	51	50	49	48		46		44		41	40			38	37	36			73				32	31	30	29	28	27		24			21	20	19	18	17					16	15	14	13	12	11	10	9	8	7	6	5	4		2								
72	71	70	69	68	67	66	65			61	60			57	56	55	54																																																																									
52	51	50	49	48		46		44		41	40			38	37	36																																																																										
73				32	31	30	29	28	27		24			21	20	19	18	17																																																																								
				16	15	14	13	12	11	10	9	8	7	6	5	4		2																																																																								
AVAILABLE	NOT APPLICABLE	34566-4713	0	A	BLACK	<table border="1"> <tr><td>72</td><td>71</td><td>70</td><td>69</td><td></td><td>67</td><td></td><td></td><td>64</td><td>63</td><td></td><td></td><td>60</td><td>59</td><td></td><td></td><td>56</td><td>55</td><td>54</td><td>53</td></tr> <tr><td>52</td><td>51</td><td></td><td>49</td><td></td><td>47</td><td></td><td></td><td>45</td><td>44</td><td>43</td><td>42</td><td>41</td><td></td><td></td><td></td><td>36</td><td></td><td>34</td><td></td></tr> <tr><td colspan="4">73</td><td>32</td><td></td><td>30</td><td></td><td>28</td><td></td><td>26</td><td></td><td></td><td>23</td><td></td><td></td><td></td><td>19</td><td>18</td><td></td></tr> <tr><td colspan="4"></td><td>16</td><td>15</td><td></td><td></td><td>12</td><td></td><td>10</td><td></td><td></td><td></td><td></td><td></td><td></td><td>3</td><td></td><td></td></tr> </table>	72	71	70	69		67			64	63			60	59			56	55	54	53	52	51		49		47			45	44	43	42	41				36		34		73				32		30		28		26			23				19	18						16	15			12		10							3						
72	71	70	69		67			64	63			60	59			56	55	54	53																																																																							
52	51		49		47			45	44	43	42	41				36		34																																																																								
73				32		30		28		26			23				19	18																																																																								
				16	15			12		10							3																																																																									
AVAILABLE	NOT APPLICABLE	34566-4723	0	A	BLACK	<table border="1"> <tr><td>72</td><td>71</td><td>70</td><td>69</td><td></td><td></td><td></td><td></td><td>64</td><td>63</td><td></td><td></td><td>60</td><td>59</td><td>58</td><td></td><td>56</td><td>55</td><td>54</td><td>53</td></tr> <tr><td>52</td><td>51</td><td></td><td>49</td><td></td><td>47</td><td></td><td></td><td>45</td><td>44</td><td>43</td><td>42</td><td>41</td><td></td><td></td><td></td><td>36</td><td></td><td>34</td><td></td></tr> <tr><td colspan="4">73</td><td>32</td><td></td><td>30</td><td></td><td>28</td><td></td><td>26</td><td></td><td></td><td></td><td></td><td></td><td></td><td>19</td><td>18</td><td></td></tr> <tr><td colspan="4"></td><td>16</td><td>15</td><td></td><td></td><td>12</td><td></td><td>10</td><td></td><td></td><td></td><td></td><td></td><td></td><td>3</td><td></td><td></td></tr> </table>	72	71	70	69					64	63			60	59	58		56	55	54	53	52	51		49		47			45	44	43	42	41				36		34		73				32		30		28		26							19	18						16	15			12		10							3						
72	71	70	69					64	63			60	59	58		56	55	54	53																																																																							
52	51		49		47			45	44	43	42	41				36		34																																																																								
73				32		30		28		26							19	18																																																																								
				16	15			12		10							3																																																																									
AVAILABLE	NOT APPLICABLE	34566-4733	0	A	BLACK	<table border="1"> <tr><td>72</td><td>71</td><td>70</td><td>69</td><td></td><td></td><td></td><td></td><td>64</td><td>63</td><td></td><td></td><td>60</td><td>59</td><td>58</td><td></td><td>56</td><td>55</td><td>54</td><td>53</td></tr> <tr><td>52</td><td>51</td><td></td><td>49</td><td></td><td>47</td><td></td><td></td><td>45</td><td>44</td><td>43</td><td>42</td><td>41</td><td></td><td></td><td></td><td>36</td><td></td><td>34</td><td></td></tr> <tr><td colspan="4">73</td><td>32</td><td></td><td>30</td><td></td><td>28</td><td></td><td>26</td><td></td><td></td><td></td><td>21</td><td></td><td>19</td><td>18</td><td></td><td></td></tr> <tr><td colspan="4"></td><td>16</td><td>15</td><td></td><td></td><td>12</td><td></td><td>10</td><td></td><td>8</td><td></td><td>5</td><td></td><td>3</td><td></td><td></td><td></td></tr> </table>	72	71	70	69					64	63			60	59	58		56	55	54	53	52	51		49		47			45	44	43	42	41				36		34		73				32		30		28		26				21		19	18							16	15			12		10		8		5		3							
72	71	70	69					64	63			60	59	58		56	55	54	53																																																																							
52	51		49		47			45	44	43	42	41				36		34																																																																								
73				32		30		28		26				21		19	18																																																																									
				16	15			12		10		8		5		3																																																																										
AVAILABLE	NOT APPLICABLE	34566-4743	9	A	BLACK	<table border="1"> <tr><td>72</td><td>71</td><td>70</td><td>69</td><td></td><td>67</td><td></td><td></td><td>65</td><td>64</td><td>63</td><td>62</td><td>61</td><td>60</td><td>59</td><td>58</td><td>57</td><td>56</td><td>55</td><td>54</td><td>53</td></tr> <tr><td>52</td><td>51</td><td>50</td><td>49</td><td>48</td><td>47</td><td></td><td></td><td>45</td><td>44</td><td>43</td><td>42</td><td>41</td><td>40</td><td>39</td><td></td><td>37</td><td>36</td><td></td><td>34</td><td></td></tr> <tr><td colspan="4">73</td><td>32</td><td></td><td>30</td><td>29</td><td>28</td><td>27</td><td>26</td><td></td><td>24</td><td>23</td><td>21</td><td></td><td>19</td><td>18</td><td>17</td><td></td><td></td></tr> <tr><td colspan="4"></td><td>16</td><td>15</td><td>14</td><td>13</td><td>12</td><td>11</td><td>10</td><td></td><td>8</td><td></td><td>5</td><td></td><td>3</td><td>2</td><td>1</td><td></td><td></td></tr> </table>	72	71	70	69		67			65	64	63	62	61	60	59	58	57	56	55	54	53	52	51	50	49	48	47			45	44	43	42	41	40	39		37	36		34		73				32		30	29	28	27	26		24	23	21		19	18	17							16	15	14	13	12	11	10		8		5		3	2	1		
72	71	70	69		67			65	64	63	62	61	60	59	58	57	56	55	54	53																																																																						
52	51	50	49	48	47			45	44	43	42	41	40	39		37	36		34																																																																							
73				32		30	29	28	27	26		24	23	21		19	18	17																																																																								
				16	15	14	13	12	11	10		8		5		3	2	1																																																																								
AVAILABLE	NOT APPLICABLE	34566-4753	0	B	ST.GRY	<table border="1"> <tr><td></td><td></td><td></td><td></td><td>68</td><td>67</td><td></td><td></td><td>64</td><td></td><td></td><td></td><td></td><td></td><td></td><td>58</td><td></td><td></td><td></td><td></td></tr> <tr><td></td><td></td><td></td><td></td><td></td><td></td><td>46</td><td>45</td><td></td><td></td><td></td><td></td><td></td><td></td><td></td><td>38</td><td></td><td></td><td></td><td></td></tr> <tr><td colspan="4">73</td><td>32</td><td></td><td>30</td><td>29</td><td>28</td><td>27</td><td></td><td></td><td></td><td></td><td>22</td><td></td><td></td><td></td><td></td><td>17</td></tr> <tr><td colspan="4"></td><td></td><td>15</td><td></td><td>13</td><td></td><td></td><td>10</td><td></td><td></td><td>6</td><td></td><td></td><td></td><td></td><td></td><td>1</td></tr> </table>					68	67			64							58											46	45								38					73				32		30	29	28	27					22					17						15		13			10			6						1				
				68	67			64							58																																																																											
						46	45								38																																																																											
73				32		30	29	28	27					22					17																																																																							
					15		13			10			6						1																																																																							
AVAILABLE	NOT APPLICABLE	34566-4763	0	B	ST.GRY	<table border="1"> <tr><td></td><td></td><td></td><td></td><td>68</td><td>67</td><td></td><td></td><td>64</td><td></td><td></td><td></td><td></td><td></td><td></td><td></td><td></td><td></td><td></td><td></td></tr> <tr><td></td><td></td><td></td><td></td><td></td><td></td><td>46</td><td>45</td><td></td><td></td><td></td><td></td><td></td><td></td><td></td><td></td><td></td><td></td><td></td><td></td></tr> <tr><td colspan="4">73</td><td>32</td><td></td><td>30</td><td>29</td><td>28</td><td>27</td><td></td><td></td><td></td><td></td><td></td><td></td><td></td><td></td><td></td><td>17</td></tr> <tr><td colspan="4"></td><td></td><td>15</td><td></td><td>13</td><td></td><td></td><td>10</td><td></td><td></td><td>6</td><td></td><td></td><td></td><td></td><td></td><td></td></tr> </table>					68	67			64																		46	45													73				32		30	29	28	27										17						15		13			10			6										
				68	67			64																																																																																		
						46	45																																																																																			
73				32		30	29	28	27										17																																																																							
					15		13			10			6																																																																													
AVAILABLE	NOT APPLICABLE	34566-4773	0	B	ST.GRY	<table border="1"> <tr><td></td><td></td><td></td><td></td><td>68</td><td>67</td><td></td><td></td><td>64</td><td></td><td></td><td></td><td></td><td>59</td><td>58</td><td></td><td></td><td></td><td></td><td>54</td></tr> <tr><td></td><td></td><td></td><td></td><td></td><td></td><td>46</td><td>45</td><td></td><td></td><td></td><td></td><td></td><td>39</td><td>38</td><td></td><td></td><td></td><td></td><td></td></tr> <tr><td colspan="4">73</td><td>32</td><td></td><td>30</td><td>29</td><td>28</td><td>27</td><td></td><td></td><td></td><td>23</td><td>22</td><td></td><td></td><td></td><td></td><td>17</td></tr> <tr><td colspan="4"></td><td></td><td>15</td><td></td><td>13</td><td></td><td></td><td>10</td><td></td><td>8</td><td></td><td>6</td><td></td><td></td><td></td><td></td><td>1</td></tr> </table>					68	67			64					59	58					54							46	45						39	38						73				32		30	29	28	27				23	22					17						15		13			10		8		6					1				
				68	67			64					59	58					54																																																																							
						46	45						39	38																																																																												
73				32		30	29	28	27				23	22					17																																																																							
					15		13			10		8		6					1																																																																							

PRE-RELEASE  
REFERENCE  
USE ONLY

THIS DRAWING CONTAINS INFORMATION THAT IS PROPRIETARY TO MOLEX ELECTRONIC TECHNOLOGIES, LLC AND SHOULD NOT BE USED WITHOUT WRITTEN PERMISSION

EC NO: 120093 DRWN: APODDATURI CHKD: REV APPR: VKOSHY	2017/07/13	GENERAL TOLERANCES (UNLESS SPECIFIED)	DIMENSION UNITS	SCALE		
	2017/08/08	ANGULAR TOL ± °	MM	1:1		
		4 PLACES ±	DRWN BY	DATE		SKRAJENDRANA 2011/02/14
		3 PLACES ±	CHKD BY	DATE		MVANSLAMBROU 2011/02/14
		2 PLACES ±	APPR BY	DATE		
	1 PLACE ±				PRODUCT CUSTOMER DRAWING	
	0 PLACES ±				SERIES MATERIAL NUMBER CUSTOMER	
	DRAFT WHERE APPLICABLE MUST REMAIN WITHIN DIMENSIONS	DRAWING SIZE	THIRD ANGLE PROJECTION		34566 SEE BOM TABLE GENERAL MARKET	
		D			DOCUMENT NUMBER DOC TYPE DOC PART SHEET NUMBER	
					SD-34566-001 PSD 000 58 OF 98	

STATUS	GM PART #	MATERIAL #	WIRE DRESS OPTION	KEY OPTION 	COLOR (TPA) 	NUMBERS INDICATE CAVITIES OPEN FOR CIRCUITS 																																																																																											
AVAILABLE	NOT APPLICABLE	34566-4783	0	B	ST.GRY	<table border="1"> <tr><td></td><td></td><td></td><td>68</td><td>67</td><td></td><td></td><td>64</td><td>63</td><td></td><td></td><td>58</td><td></td><td></td><td>55</td><td></td><td></td></tr> <tr><td></td><td></td><td></td><td></td><td></td><td>46</td><td>45</td><td></td><td>43</td><td></td><td></td><td>38</td><td></td><td></td><td>35</td><td></td><td></td></tr> <tr><td>73</td><td></td><td></td><td>32</td><td>30</td><td>29</td><td>28</td><td>27</td><td></td><td></td><td></td><td>22</td><td></td><td></td><td>19</td><td>17</td><td></td></tr> <tr><td></td><td></td><td></td><td></td><td>15</td><td>13</td><td></td><td></td><td></td><td>10</td><td></td><td>6</td><td></td><td></td><td></td><td></td><td>1</td></tr> </table>				68	67			64	63			58			55								46	45		43			38			35			73			32	30	29	28	27				22			19	17						15	13				10		6					1																							
			68	67			64	63			58			55																																																																																			
					46	45		43			38			35																																																																																			
73			32	30	29	28	27				22			19	17																																																																																		
				15	13				10		6					1																																																																																	
AVAILABLE	NOT APPLICABLE	34566-4793	0	B	ST.GRY	<table border="1"> <tr><td></td><td></td><td></td><td>68</td><td>67</td><td></td><td></td><td>64</td><td>63</td><td></td><td></td><td>58</td><td></td><td></td><td></td><td></td><td></td></tr> <tr><td></td><td></td><td></td><td></td><td></td><td>46</td><td>45</td><td></td><td>43</td><td></td><td></td><td>38</td><td></td><td></td><td></td><td></td><td></td></tr> <tr><td>73</td><td></td><td></td><td>32</td><td>30</td><td>29</td><td>28</td><td>27</td><td></td><td></td><td></td><td>22</td><td></td><td></td><td></td><td></td><td>17</td></tr> <tr><td></td><td></td><td></td><td></td><td>15</td><td>13</td><td></td><td></td><td></td><td>10</td><td></td><td>6</td><td></td><td></td><td></td><td></td><td></td></tr> </table>				68	67			64	63			58											46	45		43			38						73			32	30	29	28	27				22					17					15	13				10		6																												
			68	67			64	63			58																																																																																						
					46	45		43			38																																																																																						
73			32	30	29	28	27				22					17																																																																																	
				15	13				10		6																																																																																						
AVAILABLE	NOT APPLICABLE	34566-4813	9	B	ST.GRY	<table border="1"> <tr><td></td><td></td><td></td><td>68</td><td>67</td><td></td><td></td><td>64</td><td></td><td></td><td></td><td>59</td><td>58</td><td></td><td></td><td></td><td>54</td></tr> <tr><td></td><td></td><td></td><td></td><td></td><td>46</td><td>45</td><td></td><td></td><td></td><td></td><td>39</td><td>38</td><td></td><td></td><td></td><td></td></tr> <tr><td>73</td><td></td><td></td><td>32</td><td>30</td><td>29</td><td>28</td><td>27</td><td></td><td></td><td></td><td>23</td><td>22</td><td></td><td></td><td></td><td>17</td></tr> <tr><td></td><td></td><td></td><td></td><td>15</td><td>13</td><td></td><td></td><td></td><td>10</td><td>9</td><td>8</td><td>6</td><td></td><td></td><td></td><td>1</td></tr> </table>				68	67			64				59	58				54						46	45					39	38					73			32	30	29	28	27				23	22				17					15	13				10	9	8	6				1																							
			68	67			64				59	58				54																																																																																	
					46	45					39	38																																																																																					
73			32	30	29	28	27				23	22				17																																																																																	
				15	13				10	9	8	6				1																																																																																	
AVAILABLE	NOT APPLICABLE	34566-4823	0	C	BLUE	<table border="1"> <tr><td></td><td></td><td></td><td>68</td><td>67</td><td>66</td><td>65</td><td>64</td><td></td><td></td><td></td><td>59</td><td>58</td><td>57</td><td></td><td>55</td><td>54</td><td>53</td></tr> <tr><td>51</td><td>50</td><td>49</td><td>48</td><td>47</td><td>46</td><td>45</td><td></td><td>43</td><td>42</td><td>41</td><td>40</td><td>39</td><td>38</td><td>37</td><td></td><td>35</td><td>33</td></tr> <tr><td>73</td><td></td><td></td><td>32</td><td>31</td><td>30</td><td></td><td></td><td>26</td><td>24</td><td>23</td><td>22</td><td></td><td></td><td>20</td><td></td><td></td><td></td></tr> <tr><td></td><td></td><td></td><td></td><td>16</td><td></td><td>13</td><td></td><td></td><td>10</td><td>9</td><td>8</td><td>7</td><td>6</td><td>5</td><td>4</td><td>3</td><td>2</td></tr> </table>				68	67	66	65	64				59	58	57		55	54	53	51	50	49	48	47	46	45		43	42	41	40	39	38	37		35	33	73			32	31	30			26	24	23	22			20								16		13			10	9	8	7	6	5	4	3	2																			
			68	67	66	65	64				59	58	57		55	54	53																																																																																
51	50	49	48	47	46	45		43	42	41	40	39	38	37		35	33																																																																																
73			32	31	30			26	24	23	22			20																																																																																			
				16		13			10	9	8	7	6	5	4	3	2																																																																																
AVAILABLE	NOT APPLICABLE	34566-4833	0	C	BLUE	<table border="1"> <tr><td>72</td><td></td><td>70</td><td></td><td></td><td>68</td><td>67</td><td>66</td><td></td><td></td><td></td><td>63</td><td>62</td><td></td><td></td><td>59</td><td></td><td>57</td><td></td><td></td><td></td><td>53</td></tr> <tr><td>52</td><td>51</td><td></td><td></td><td></td><td>48</td><td>47</td><td>46</td><td></td><td>44</td><td></td><td>42</td><td></td><td>40</td><td>39</td><td></td><td>37</td><td>36</td><td></td><td></td><td></td><td>34</td><td>33</td></tr> <tr><td>73</td><td></td><td></td><td></td><td></td><td>32</td><td></td><td>30</td><td></td><td></td><td>27</td><td>26</td><td>25</td><td>24</td><td></td><td>22</td><td>21</td><td></td><td></td><td></td><td></td><td></td><td></td></tr> <tr><td></td><td></td><td></td><td></td><td></td><td></td><td>15</td><td>14</td><td></td><td></td><td></td><td>10</td><td>9</td><td>8</td><td></td><td>6</td><td>5</td><td>4</td><td></td><td></td><td></td><td>2</td><td></td></tr> </table>	72		70			68	67	66				63	62			59		57				53	52	51				48	47	46		44		42		40	39		37	36				34	33	73					32		30			27	26	25	24		22	21													15	14				10	9	8		6	5	4				2	
72		70			68	67	66				63	62			59		57				53																																																																												
52	51				48	47	46		44		42		40	39		37	36				34	33																																																																											
73					32		30			27	26	25	24		22	21																																																																																	
						15	14				10	9	8		6	5	4				2																																																																												
AVAILABLE	NOT APPLICABLE	34566-4843	0	C	BLUE	<table border="1"> <tr><td>72</td><td></td><td>70</td><td></td><td></td><td>68</td><td>67</td><td>66</td><td></td><td></td><td></td><td>63</td><td>62</td><td></td><td></td><td>59</td><td></td><td>57</td><td></td><td></td><td></td><td>53</td></tr> <tr><td>52</td><td>51</td><td></td><td></td><td></td><td>48</td><td>47</td><td>46</td><td></td><td>44</td><td></td><td>42</td><td></td><td>40</td><td>39</td><td></td><td>37</td><td>36</td><td></td><td></td><td></td><td>34</td><td>33</td></tr> <tr><td>73</td><td></td><td></td><td></td><td></td><td>32</td><td></td><td>30</td><td></td><td></td><td>27</td><td>26</td><td>25</td><td>24</td><td></td><td>22</td><td>21</td><td></td><td></td><td></td><td></td><td></td><td></td></tr> <tr><td></td><td></td><td></td><td></td><td></td><td></td><td>15</td><td>14</td><td></td><td></td><td></td><td>10</td><td>9</td><td>8</td><td></td><td>6</td><td>5</td><td>4</td><td></td><td></td><td></td><td>2</td><td></td></tr> </table>	72		70			68	67	66				63	62			59		57				53	52	51				48	47	46		44		42		40	39		37	36				34	33	73					32		30			27	26	25	24		22	21													15	14				10	9	8		6	5	4				2	
72		70			68	67	66				63	62			59		57				53																																																																												
52	51				48	47	46		44		42		40	39		37	36				34	33																																																																											
73					32		30			27	26	25	24		22	21																																																																																	
						15	14				10	9	8		6	5	4				2																																																																												
AVAILABLE	NOT APPLICABLE	34566-4853	0	C	BLUE	<table border="1"> <tr><td>72</td><td></td><td>70</td><td></td><td></td><td>68</td><td></td><td>66</td><td></td><td></td><td></td><td>63</td><td>62</td><td></td><td></td><td>59</td><td></td><td>57</td><td>56</td><td>55</td><td></td><td>53</td></tr> <tr><td>52</td><td>51</td><td></td><td></td><td></td><td>48</td><td>47</td><td>46</td><td></td><td>44</td><td></td><td>42</td><td></td><td>40</td><td>39</td><td></td><td>37</td><td>36</td><td></td><td></td><td></td><td>34</td><td>33</td></tr> <tr><td>73</td><td></td><td></td><td></td><td></td><td>32</td><td></td><td>30</td><td></td><td></td><td>27</td><td>26</td><td>25</td><td>24</td><td></td><td>22</td><td>21</td><td></td><td></td><td>19</td><td>18</td><td></td><td></td></tr> <tr><td></td><td></td><td></td><td></td><td></td><td></td><td>15</td><td>14</td><td></td><td></td><td></td><td>10</td><td>9</td><td>8</td><td></td><td>6</td><td>5</td><td>4</td><td></td><td></td><td>3</td><td>2</td><td></td></tr> </table>	72		70			68		66				63	62			59		57	56	55		53	52	51				48	47	46		44		42		40	39		37	36				34	33	73					32		30			27	26	25	24		22	21			19	18									15	14				10	9	8		6	5	4			3	2	
72		70			68		66				63	62			59		57	56	55		53																																																																												
52	51				48	47	46		44		42		40	39		37	36				34	33																																																																											
73					32		30			27	26	25	24		22	21			19	18																																																																													
						15	14				10	9	8		6	5	4			3	2																																																																												
AVAILABLE	NOT APPLICABLE	34566-4863	0	C	BLUE	<table border="1"> <tr><td>72</td><td></td><td>70</td><td></td><td></td><td>68</td><td></td><td>66</td><td></td><td></td><td></td><td>63</td><td>62</td><td></td><td></td><td>59</td><td></td><td>57</td><td></td><td></td><td></td><td>53</td></tr> <tr><td>52</td><td>51</td><td></td><td></td><td></td><td>48</td><td>47</td><td>46</td><td></td><td>44</td><td></td><td>42</td><td></td><td>40</td><td>39</td><td></td><td>37</td><td>36</td><td></td><td></td><td></td><td>34</td><td>33</td></tr> <tr><td>73</td><td></td><td></td><td></td><td></td><td>32</td><td></td><td>30</td><td></td><td></td><td>27</td><td>26</td><td>25</td><td>24</td><td></td><td>22</td><td>21</td><td></td><td></td><td></td><td></td><td></td><td></td></tr> <tr><td></td><td></td><td></td><td></td><td></td><td></td><td>15</td><td>14</td><td></td><td></td><td></td><td>10</td><td>9</td><td>8</td><td></td><td>6</td><td>5</td><td>4</td><td></td><td></td><td></td><td>2</td><td></td></tr> </table>	72		70			68		66				63	62			59		57				53	52	51				48	47	46		44		42		40	39		37	36				34	33	73					32		30			27	26	25	24		22	21													15	14				10	9	8		6	5	4				2	
72		70			68		66				63	62			59		57				53																																																																												
52	51				48	47	46		44		42		40	39		37	36				34	33																																																																											
73					32		30			27	26	25	24		22	21																																																																																	
						15	14				10	9	8		6	5	4				2																																																																												
AVAILABLE	NOT APPLICABLE	34566-4873	0	C	BLUE	<table border="1"> <tr><td>72</td><td></td><td>70</td><td></td><td></td><td>68</td><td></td><td>66</td><td></td><td></td><td></td><td>63</td><td>62</td><td></td><td></td><td>59</td><td></td><td>57</td><td></td><td></td><td></td><td>53</td></tr> <tr><td>52</td><td>51</td><td></td><td></td><td></td><td>48</td><td>47</td><td>46</td><td></td><td>44</td><td></td><td>42</td><td></td><td>40</td><td>39</td><td></td><td>37</td><td>36</td><td></td><td></td><td></td><td>34</td><td>33</td></tr> <tr><td>73</td><td></td><td></td><td></td><td></td><td>32</td><td></td><td>30</td><td></td><td></td><td>27</td><td>26</td><td>25</td><td>24</td><td></td><td>22</td><td>21</td><td></td><td></td><td></td><td></td><td></td><td></td></tr> <tr><td></td><td></td><td></td><td></td><td></td><td></td><td>15</td><td>14</td><td></td><td></td><td></td><td>10</td><td>9</td><td>8</td><td></td><td>6</td><td>5</td><td>4</td><td></td><td></td><td></td><td>2</td><td></td></tr> </table>	72		70			68		66				63	62			59		57				53	52	51				48	47	46		44		42		40	39		37	36				34	33	73					32		30			27	26	25	24		22	21													15	14				10	9	8		6	5	4				2	
72		70			68		66				63	62			59		57				53																																																																												
52	51				48	47	46		44		42		40	39		37	36				34	33																																																																											
73					32		30			27	26	25	24		22	21																																																																																	
						15	14				10	9	8		6	5	4				2																																																																												



THIS DRAWING CONTAINS INFORMATION THAT IS PROPRIETARY TO MOLEX ELECTRONIC TECHNOLOGIES, LLC AND SHOULD NOT BE USED WITHOUT WRITTEN PERMISSION			
GENERAL TOLERANCES (UNLESS SPECIFIED)		DIMENSION UNITS	SCALE
		MM	1:1
ANGULAR TOL ± °		DRWN BY	DATE
4 PLACES ±		SKRAJENDRANA	2011/02/14
3 PLACES ±		CHKD BY	DATE
2 PLACES ±		MVANSLAMBROU	2011/02/14
1 PLACE ±		APPR BY	DATE
0 PLACES ±			
DRAFT WHERE APPLICABLE MUST REMAIN WITHIN DIMENSIONS		DRAWING SIZE	THIRD ANGLE PROJECTION
D55		D	
EC NO: 120093	DRWN: APODDATURI	CHKD:	APPR: VKOSHY
		SERIES	MATERIAL NUMBER
		34566	SEE BOM TABLE
		CUSTOMER	GENERAL MARKET
DOCUMENT NUMBER		DOC TYPE	DOC PART SHEET NUMBER
SD-34566-001		PSD	000 59 OF 98

STATUS	GM PART #	MATERIAL #	WIRE DRESS OPTION	KEY OPTION E	COLOR (TPA) F	NUMBERS INDICATE CAVITIES OPEN FOR CIRCUITS F																																																																													
AVAILABLE	NOT APPLICABLE	34566-4883	9	A	BLACK	<table border="1"> <tr><td>72</td><td></td><td>69</td><td>67</td><td>65</td><td>63</td><td>60</td><td>57</td><td>56</td><td></td><td>53</td></tr> <tr><td></td><td></td><td>49</td><td>47</td><td>46</td><td>44</td><td>43</td><td>40</td><td>37</td><td>36</td><td>35</td><td>33</td></tr> <tr><td>73</td><td></td><td></td><td>31</td><td>30</td><td>29</td><td>28</td><td></td><td>24</td><td></td><td>21</td><td>20</td><td></td><td>17</td></tr> <tr><td></td><td></td><td></td><td>16</td><td>15</td><td>14</td><td>13</td><td></td><td>11</td><td>10</td><td></td><td></td><td>5</td><td>4</td><td>3</td><td>2</td><td>1</td></tr> </table>	72		69	67	65	63	60	57	56		53			49	47	46	44	43	40	37	36	35	33	73			31	30	29	28		24		21	20		17				16	15	14	13		11	10			5	4	3	2	1																							
72		69	67	65	63	60	57	56		53																																																																									
		49	47	46	44	43	40	37	36	35	33																																																																								
73			31	30	29	28		24		21	20		17																																																																						
			16	15	14	13		11	10			5	4	3	2	1																																																																			
AVAILABLE	NOT APPLICABLE	34566-4893	9	B	ST.GRAY	<table border="1"> <tr><td></td><td></td><td>68</td><td>67</td><td></td><td>64</td><td>63</td><td></td><td></td><td>58</td><td></td><td>55</td><td></td><td></td><td></td></tr> <tr><td></td><td></td><td></td><td></td><td>46</td><td>45</td><td>43</td><td></td><td></td><td>38</td><td></td><td>35</td><td></td><td></td><td></td></tr> <tr><td>73</td><td></td><td></td><td>32</td><td></td><td>30</td><td>29</td><td>28</td><td>27</td><td></td><td>22</td><td></td><td></td><td>19</td><td>17</td></tr> <tr><td></td><td></td><td></td><td></td><td>15</td><td></td><td>13</td><td></td><td></td><td>10</td><td></td><td></td><td></td><td></td><td></td><td></td><td>1</td></tr> </table>			68	67		64	63			58		55								46	45	43			38		35				73			32		30	29	28	27		22			19	17					15		13			10							1															
		68	67		64	63			58		55																																																																								
				46	45	43			38		35																																																																								
73			32		30	29	28	27		22			19	17																																																																					
				15		13			10							1																																																																			
AVAILABLE	NOT APPLICABLE	34566-4913	9	B	ST.GRAY	<table border="1"> <tr><td></td><td></td><td>68</td><td>67</td><td></td><td>64</td><td>63</td><td></td><td></td><td>58</td><td>57</td><td>55</td><td>53</td><td></td><td></td></tr> <tr><td></td><td></td><td></td><td></td><td>46</td><td>45</td><td>43</td><td></td><td></td><td>38</td><td>37</td><td>35</td><td></td><td></td><td></td></tr> <tr><td>73</td><td></td><td></td><td>32</td><td></td><td>30</td><td>29</td><td>28</td><td>27</td><td></td><td>22</td><td>21</td><td>19</td><td>17</td><td></td></tr> <tr><td></td><td></td><td></td><td></td><td></td><td></td><td></td><td>12</td><td>10</td><td></td><td></td><td></td><td></td><td></td><td></td><td></td><td>1</td></tr> </table>			68	67		64	63			58	57	55	53							46	45	43			38	37	35				73			32		30	29	28	27		22	21	19	17									12	10								1															
		68	67		64	63			58	57	55	53																																																																							
				46	45	43			38	37	35																																																																								
73			32		30	29	28	27		22	21	19	17																																																																						
							12	10								1																																																																			
AVAILABLE	NOT APPLICABLE	34566-4923	9	A	BLACK	<table border="1"> <tr><td>72</td><td></td><td>69</td><td>67</td><td>65</td><td>63</td><td>60</td><td>57</td><td>56</td><td></td><td>53</td></tr> <tr><td></td><td></td><td>49</td><td>47</td><td>44</td><td>43</td><td>40</td><td>37</td><td>36</td><td>35</td><td>33</td></tr> <tr><td>73</td><td></td><td></td><td>31</td><td>30</td><td>29</td><td>28</td><td></td><td>24</td><td></td><td>21</td><td>20</td><td></td><td>17</td></tr> <tr><td></td><td></td><td></td><td>16</td><td>15</td><td>14</td><td>13</td><td></td><td>11</td><td>10</td><td></td><td></td><td>5</td><td>4</td><td>3</td><td>2</td><td>1</td></tr> </table>	72		69	67	65	63	60	57	56		53			49	47	44	43	40	37	36	35	33	73			31	30	29	28		24		21	20		17				16	15	14	13		11	10			5	4	3	2	1																								
72		69	67	65	63	60	57	56		53																																																																									
		49	47	44	43	40	37	36	35	33																																																																									
73			31	30	29	28		24		21	20		17																																																																						
			16	15	14	13		11	10			5	4	3	2	1																																																																			
AVAILABLE	NOT APPLICABLE	34566-4933	0	C	BLUE	<table border="1"> <tr><td>72</td><td></td><td>70</td><td>68</td><td>67</td><td>66</td><td></td><td>63</td><td>62</td><td></td><td>59</td><td>57</td><td></td><td></td><td>53</td></tr> <tr><td>52</td><td>51</td><td></td><td>48</td><td>47</td><td>46</td><td></td><td>44</td><td></td><td></td><td>40</td><td>39</td><td>37</td><td>36</td><td>35</td><td>34</td><td>33</td></tr> <tr><td>73</td><td></td><td></td><td>32</td><td></td><td>30</td><td></td><td>27</td><td>26</td><td>25</td><td>24</td><td>22</td><td>21</td><td></td><td></td><td></td><td></td></tr> <tr><td></td><td></td><td></td><td></td><td>15</td><td>14</td><td></td><td></td><td>10</td><td>9</td><td>8</td><td>6</td><td>5</td><td>4</td><td></td><td></td><td>2</td></tr> </table>	72		70	68	67	66		63	62		59	57			53	52	51		48	47	46		44			40	39	37	36	35	34	33	73			32		30		27	26	25	24	22	21									15	14			10	9	8	6	5	4			2											
72		70	68	67	66		63	62		59	57			53																																																																					
52	51		48	47	46		44			40	39	37	36	35	34	33																																																																			
73			32		30		27	26	25	24	22	21																																																																							
				15	14			10	9	8	6	5	4			2																																																																			
AVAILABLE	NOT APPLICABLE	34566-4943	0	A	BLACK	<table border="1"> <tr><td></td><td></td><td>70</td><td>69</td><td>68</td><td>67</td><td></td><td>63</td><td>62</td><td>61</td><td>60</td><td>59</td><td>58</td><td>57</td><td>56</td><td>55</td><td>54</td><td>53</td></tr> <tr><td>52</td><td>51</td><td>50</td><td>49</td><td></td><td></td><td></td><td>44</td><td>43</td><td>42</td><td>41</td><td></td><td>39</td><td>38</td><td>37</td><td>36</td><td></td><td>34</td></tr> <tr><td>73</td><td></td><td></td><td></td><td>32</td><td>31</td><td></td><td>29</td><td>28</td><td>27</td><td>26</td><td>25</td><td>23</td><td></td><td></td><td></td><td>19</td><td>18</td></tr> <tr><td></td><td></td><td></td><td></td><td>16</td><td>15</td><td>14</td><td>13</td><td>12</td><td>11</td><td>10</td><td>9</td><td>8</td><td></td><td></td><td></td><td>3</td><td></td></tr> </table>			70	69	68	67		63	62	61	60	59	58	57	56	55	54	53	52	51	50	49				44	43	42	41		39	38	37	36		34	73				32	31		29	28	27	26	25	23				19	18					16	15	14	13	12	11	10	9	8				3						
		70	69	68	67		63	62	61	60	59	58	57	56	55	54	53																																																																		
52	51	50	49				44	43	42	41		39	38	37	36		34																																																																		
73				32	31		29	28	27	26	25	23				19	18																																																																		
				16	15	14	13	12	11	10	9	8				3																																																																			
AVAILABLE	NOT APPLICABLE	34566-4953	0	B	ST.GRAY	<table border="1"> <tr><td>72</td><td>71</td><td>70</td><td>69</td><td>68</td><td>67</td><td>66</td><td>65</td><td>64</td><td>63</td><td></td><td></td><td>59</td><td></td><td></td><td></td><td></td><td>53</td></tr> <tr><td>52</td><td>51</td><td>50</td><td>49</td><td>48</td><td>47</td><td>46</td><td>45</td><td>44</td><td>43</td><td></td><td></td><td>39</td><td></td><td></td><td></td><td></td><td>34</td><td>33</td></tr> <tr><td>73</td><td></td><td></td><td></td><td>32</td><td>31</td><td>30</td><td>29</td><td>28</td><td>27</td><td>26</td><td>25</td><td>24</td><td>23</td><td></td><td></td><td></td><td>19</td><td>18</td><td>17</td></tr> <tr><td></td><td></td><td></td><td></td><td>16</td><td>15</td><td>14</td><td>13</td><td>12</td><td>11</td><td>10</td><td></td><td>8</td><td>7</td><td></td><td></td><td></td><td>3</td><td>2</td><td>1</td></tr> </table>	72	71	70	69	68	67	66	65	64	63			59					53	52	51	50	49	48	47	46	45	44	43			39					34	33	73				32	31	30	29	28	27	26	25	24	23				19	18	17					16	15	14	13	12	11	10		8	7				3	2	1
72	71	70	69	68	67	66	65	64	63			59					53																																																																		
52	51	50	49	48	47	46	45	44	43			39					34	33																																																																	
73				32	31	30	29	28	27	26	25	24	23				19	18	17																																																																
				16	15	14	13	12	11	10		8	7				3	2	1																																																																
AVAILABLE	NOT APPLICABLE	34566-4963	9	A	BLACK	<table border="1"> <tr><td>72</td><td></td><td>69</td><td>67</td><td>66</td><td>65</td><td></td><td>63</td><td></td><td></td><td>60</td><td></td><td>57</td><td>56</td><td></td><td></td><td>53</td></tr> <tr><td></td><td></td><td>49</td><td>47</td><td>46</td><td>44</td><td>43</td><td>42</td><td>40</td><td></td><td></td><td></td><td>37</td><td>36</td><td>35</td><td></td><td>33</td></tr> <tr><td>73</td><td></td><td></td><td>31</td><td>30</td><td>29</td><td>28</td><td>27</td><td>26</td><td>24</td><td></td><td></td><td>21</td><td>20</td><td></td><td></td><td>17</td></tr> <tr><td></td><td></td><td></td><td>16</td><td>15</td><td>14</td><td>13</td><td></td><td>11</td><td>10</td><td></td><td></td><td></td><td>5</td><td>4</td><td>3</td><td>2</td><td>1</td></tr> </table>	72		69	67	66	65		63			60		57	56			53			49	47	46	44	43	42	40				37	36	35		33	73			31	30	29	28	27	26	24			21	20			17				16	15	14	13		11	10				5	4	3	2	1								
72		69	67	66	65		63			60		57	56			53																																																																			
		49	47	46	44	43	42	40				37	36	35		33																																																																			
73			31	30	29	28	27	26	24			21	20			17																																																																			
			16	15	14	13		11	10				5	4	3	2	1																																																																		
AVAILABLE	NOT APPLICABLE	34566-4973	9	B	ST.GRAY	<table border="1"> <tr><td></td><td></td><td></td><td>68</td><td>67</td><td></td><td>64</td><td></td><td></td><td></td><td>59</td><td>58</td><td></td><td></td><td></td><td></td><td>54</td></tr> <tr><td></td><td></td><td></td><td></td><td></td><td>46</td><td>45</td><td>44</td><td>43</td><td></td><td></td><td>39</td><td>38</td><td></td><td></td><td></td><td></td><td>17</td></tr> <tr><td>73</td><td></td><td></td><td>32</td><td></td><td>30</td><td>29</td><td>28</td><td>27</td><td></td><td></td><td>23</td><td>22</td><td></td><td></td><td></td><td></td><td>1</td></tr> <tr><td></td><td></td><td></td><td></td><td>15</td><td></td><td>13</td><td>12</td><td>10</td><td></td><td></td><td></td><td>6</td><td></td><td></td><td></td><td></td><td></td></tr> </table>				68	67		64				59	58					54						46	45	44	43			39	38					17	73			32		30	29	28	27			23	22					1					15		13	12	10				6											
			68	67		64				59	58					54																																																																			
					46	45	44	43			39	38					17																																																																		
73			32		30	29	28	27			23	22					1																																																																		
				15		13	12	10				6																																																																							

PRE-RELEASE  
REFERENCE  
USE ONLY


THIS DRAWING CONTAINS INFORMATION THAT IS PROPRIETARY TO MOLEX ELECTRONIC TECHNOLOGIES, LLC AND SHOULD NOT BE USED WITHOUT WRITTEN PERMISSION

EC NO: 120083 DRWN: APODDATURI CHKD: REV APPR: VKOSHY	2017/07/13	GENERAL TOLERANCES (UNLESS SPECIFIED)	DIMENSION UNITS	SCALE			
	2017/08/08	ANGULAR TOL ± °	MM	1:1			
	4 PLACES ±	DRWN BY	DATE	SKRAJENDRANA		2011/02/14	
	3 PLACES ±	CHKD BY	DATE	MVANSLAMBROU		2011/02/14	
	2 PLACES ±	APPR BY	DATE				
1 PLACE ±	DRAFT WHERE APPLICABLE MUST REMAIN WITHIN DIMENSIONS		DRAWING SIZE	THIRD ANGLE PROJECTION	SERIES		
0 PLACES ±			D		MATERIAL NUMBER		
					CUSTOMER		
					34566	SEE BOM TABLE	GENERAL MARKET
			DOCUMENT NUMBER	DOC TYPE	DOC PART	SHEET NUMBER	
			SD-34566-001	PSD	000	60 OF 98	

STATUS	GM PART #	MATERIAL #	WIRE DRESS OPTION	KEY OPTION F	COLOR (TPA) F	NUMBERS INDICATE CAVITIES OPEN FOR CIRCUITS F																																																																																
AVAILABLE	NOT APPLICABLE	34566-4983	0	B	ST.GRAY	<table border="1"> <tr><td>72</td><td>70</td><td>68</td><td>66</td><td></td><td></td><td></td><td></td><td></td><td>60</td><td>59</td><td></td><td></td><td>55</td><td>54</td><td>53</td></tr> <tr><td>52</td><td>50</td><td>48</td><td>46</td><td></td><td>44</td><td></td><td></td><td></td><td>40</td><td>39</td><td></td><td></td><td>35</td><td>34</td><td>33</td></tr> <tr><td colspan="2">73</td><td>32</td><td>31</td><td>30</td><td>29</td><td>28</td><td>27</td><td>26</td><td>25</td><td>24</td><td>23</td><td></td><td></td><td>19</td><td>18</td><td>17</td></tr> <tr><td colspan="2"></td><td>16</td><td></td><td></td><td></td><td></td><td></td><td>10</td><td>8</td><td>7</td><td></td><td></td><td></td><td>2</td><td>1</td><td></td></tr> </table>	72	70	68	66						60	59			55	54	53	52	50	48	46		44				40	39			35	34	33	73		32	31	30	29	28	27	26	25	24	23			19	18	17			16						10	8	7				2	1															
72	70	68	66						60	59			55	54	53																																																																							
52	50	48	46		44				40	39			35	34	33																																																																							
73		32	31	30	29	28	27	26	25	24	23			19	18	17																																																																						
		16						10	8	7				2	1																																																																							
AVAILABLE	NOT APPLICABLE	34566-4993	0	A	BLACK	<table border="1"> <tr><td>72</td><td>71</td><td>70</td><td>69</td><td>67</td><td></td><td></td><td></td><td>64</td><td>63</td><td></td><td></td><td>60</td><td>59</td><td></td><td>56</td><td>55</td><td>54</td><td>53</td></tr> <tr><td>52</td><td>51</td><td></td><td>49</td><td>47</td><td></td><td></td><td>45</td><td>44</td><td>43</td><td>42</td><td>41</td><td></td><td></td><td></td><td>36</td><td></td><td>34</td><td></td></tr> <tr><td colspan="2">73</td><td>32</td><td></td><td>30</td><td></td><td></td><td>28</td><td></td><td>26</td><td></td><td></td><td></td><td></td><td></td><td>19</td><td>18</td><td></td><td></td></tr> <tr><td colspan="2"></td><td>16</td><td>15</td><td></td><td></td><td></td><td>12</td><td></td><td>10</td><td></td><td></td><td></td><td></td><td></td><td>3</td><td></td><td></td><td></td></tr> </table>	72	71	70	69	67				64	63			60	59		56	55	54	53	52	51		49	47			45	44	43	42	41				36		34		73		32		30			28		26						19	18					16	15				12		10						3							
72	71	70	69	67				64	63			60	59		56	55	54	53																																																																				
52	51		49	47			45	44	43	42	41				36		34																																																																					
73		32		30			28		26						19	18																																																																						
		16	15				12		10						3																																																																							
AVAILABLE	NOT APPLICABLE	34566-5013	9	B	ST.GRAY	<table border="1"> <tr><td></td><td></td><td></td><td>68</td><td>67</td><td></td><td></td><td></td><td>64</td><td>63</td><td></td><td></td><td></td><td>59</td><td>58</td><td></td><td>55</td><td>54</td><td></td></tr> <tr><td></td><td></td><td></td><td></td><td></td><td>46</td><td>45</td><td>44</td><td>43</td><td></td><td></td><td></td><td></td><td>39</td><td>38</td><td></td><td>35</td><td></td><td></td></tr> <tr><td colspan="2">73</td><td>32</td><td></td><td>30</td><td>29</td><td>28</td><td>27</td><td></td><td></td><td></td><td></td><td>23</td><td>22</td><td></td><td>19</td><td>18</td><td></td><td>17</td></tr> <tr><td colspan="2"></td><td></td><td>15</td><td></td><td>13</td><td>12</td><td></td><td>10</td><td></td><td></td><td></td><td>6</td><td></td><td></td><td></td><td></td><td></td><td>1</td></tr> </table>				68	67				64	63				59	58		55	54							46	45	44	43					39	38		35			73		32		30	29	28	27					23	22		19	18		17				15		13	12		10				6						1				
			68	67				64	63				59	58		55	54																																																																					
					46	45	44	43					39	38		35																																																																						
73		32		30	29	28	27					23	22		19	18		17																																																																				
			15		13	12		10				6						1																																																																				
AVAILABLE	NOT APPLICABLE	34566-5023	0	C	BLUE	<table border="1"> <tr><td>72</td><td>70</td><td>68</td><td>67</td><td></td><td></td><td></td><td></td><td>63</td><td>62</td><td></td><td></td><td>59</td><td></td><td>57</td><td></td><td></td><td></td><td>53</td></tr> <tr><td>52</td><td>51</td><td></td><td>48</td><td>47</td><td>46</td><td></td><td></td><td>44</td><td>42</td><td></td><td></td><td>40</td><td>39</td><td></td><td>37</td><td>36</td><td></td><td>34</td><td>33</td></tr> <tr><td colspan="2">73</td><td>32</td><td></td><td>30</td><td></td><td></td><td></td><td>26</td><td>25</td><td>24</td><td></td><td>22</td><td>21</td><td>20</td><td></td><td></td><td></td><td></td><td></td></tr> <tr><td colspan="2"></td><td></td><td>15</td><td>14</td><td></td><td></td><td></td><td></td><td>8</td><td></td><td>6</td><td>5</td><td>4</td><td></td><td>2</td><td></td><td></td><td></td><td></td></tr> </table>	72	70	68	67					63	62			59		57				53	52	51		48	47	46			44	42			40	39		37	36		34	33	73		32		30				26	25	24		22	21	20									15	14					8		6	5	4		2					
72	70	68	67					63	62			59		57				53																																																																				
52	51		48	47	46			44	42			40	39		37	36		34	33																																																																			
73		32		30				26	25	24		22	21	20																																																																								
			15	14					8		6	5	4		2																																																																							
AVAILABLE	NOT APPLICABLE	34566-5033	0	A	BLACK	<table border="1"> <tr><td></td><td></td><td>70</td><td>69</td><td></td><td></td><td></td><td></td><td></td><td>63</td><td>62</td><td>61</td><td>60</td><td></td><td>58</td><td>57</td><td>56</td><td>55</td><td>54</td><td>53</td></tr> <tr><td>52</td><td>51</td><td></td><td>49</td><td></td><td></td><td></td><td></td><td>44</td><td>43</td><td>42</td><td>41</td><td></td><td></td><td></td><td>37</td><td>36</td><td>35</td><td>34</td><td>33</td></tr> <tr><td colspan="2">73</td><td>32</td><td></td><td></td><td></td><td>29</td><td>28</td><td>27</td><td>26</td><td>25</td><td></td><td></td><td></td><td></td><td></td><td></td><td>19</td><td>18</td><td></td></tr> <tr><td colspan="2"></td><td>16</td><td>15</td><td></td><td></td><td>13</td><td>12</td><td>11</td><td>10</td><td></td><td></td><td></td><td></td><td></td><td></td><td></td><td>3</td><td></td><td></td></tr> </table>			70	69						63	62	61	60		58	57	56	55	54	53	52	51		49					44	43	42	41				37	36	35	34	33	73		32				29	28	27	26	25							19	18				16	15			13	12	11	10								3		
		70	69						63	62	61	60		58	57	56	55	54	53																																																																			
52	51		49					44	43	42	41				37	36	35	34	33																																																																			
73		32				29	28	27	26	25							19	18																																																																				
		16	15			13	12	11	10								3																																																																					
AVAILABLE	NOT APPLICABLE	34566-5043	0	A	BLACK	<table border="1"> <tr><td></td><td></td><td></td><td></td><td></td><td></td><td></td><td></td><td></td><td></td><td></td><td></td><td></td><td></td><td></td><td></td><td></td><td></td><td></td><td></td></tr> <tr><td colspan="2">73</td><td></td><td></td><td></td><td></td><td>31</td><td></td><td></td><td></td><td></td><td></td><td></td><td></td><td></td><td></td><td></td><td></td><td></td><td></td></tr> </table>																					73						31																																																					
73						31																																																																																
AVAILABLE	NOT APPLICABLE	34566-5053	0	B	ST.GRAY	<table border="1"> <tr><td></td><td></td><td></td><td></td><td></td><td></td><td></td><td></td><td></td><td></td><td></td><td></td><td></td><td></td><td></td><td></td><td></td><td></td><td></td><td></td></tr> <tr><td colspan="2">73</td><td></td><td></td><td></td><td></td><td>47</td><td></td><td></td><td></td><td></td><td></td><td></td><td></td><td></td><td></td><td></td><td>20</td><td></td><td>17</td></tr> <tr><td colspan="2"></td><td></td><td></td><td></td><td></td><td>31</td><td></td><td></td><td></td><td></td><td></td><td></td><td></td><td></td><td></td><td></td><td></td><td></td><td>1</td></tr> </table>																					73						47											20		17							31													1																				
73						47											20		17																																																																			
						31													1																																																																			
AVAILABLE	NOT APPLICABLE	34566-5063	9	H	ST.GRAY	<table border="1"> <tr><td>80</td><td>79</td><td>78</td><td>77</td><td>76</td><td>75</td><td>74</td><td>73</td><td>72</td><td>71</td><td>70</td><td>69</td><td>68</td><td>67</td><td>66</td><td>65</td><td>64</td><td>63</td><td>62</td><td>61</td></tr> <tr><td>60</td><td>59</td><td>58</td><td>57</td><td>56</td><td>55</td><td>54</td><td>53</td><td>52</td><td>51</td><td>50</td><td>49</td><td>48</td><td>47</td><td>46</td><td>45</td><td>44</td><td>43</td><td>42</td><td>41</td></tr> <tr><td>40</td><td>39</td><td>38</td><td>37</td><td></td><td>35</td><td>34</td><td>33</td><td>32</td><td></td><td>30</td><td>29</td><td></td><td>27</td><td>26</td><td></td><td>24</td><td>23</td><td>22</td><td>21</td></tr> <tr><td>20</td><td>19</td><td>18</td><td>17</td><td></td><td></td><td>14</td><td>13</td><td>12</td><td>11</td><td>10</td><td>9</td><td>8</td><td></td><td>6</td><td>5</td><td></td><td>3</td><td>2</td><td></td></tr> </table>	80	79	78	77	76	75	74	73	72	71	70	69	68	67	66	65	64	63	62	61	60	59	58	57	56	55	54	53	52	51	50	49	48	47	46	45	44	43	42	41	40	39	38	37		35	34	33	32		30	29		27	26		24	23	22	21	20	19	18	17			14	13	12	11	10	9	8		6	5		3	2	
80	79	78	77	76	75	74	73	72	71	70	69	68	67	66	65	64	63	62	61																																																																			
60	59	58	57	56	55	54	53	52	51	50	49	48	47	46	45	44	43	42	41																																																																			
40	39	38	37		35	34	33	32		30	29		27	26		24	23	22	21																																																																			
20	19	18	17			14	13	12	11	10	9	8		6	5		3	2																																																																				
AVAILABLE	NOT APPLICABLE	34566-5073	9	A	BLACK	<table border="1"> <tr><td>72</td><td>71</td><td>70</td><td>69</td><td>68</td><td>67</td><td>66</td><td>65</td><td>64</td><td>63</td><td>62</td><td>61</td><td>60</td><td>59</td><td>58</td><td>57</td><td>56</td><td>55</td><td>54</td><td>53</td></tr> <tr><td>52</td><td>51</td><td>50</td><td>49</td><td>48</td><td>47</td><td>46</td><td>45</td><td>44</td><td>43</td><td>42</td><td>41</td><td>40</td><td>39</td><td>38</td><td>37</td><td>36</td><td></td><td>34</td><td>33</td></tr> <tr><td colspan="2">73</td><td>32</td><td>31</td><td>30</td><td>29</td><td>28</td><td>27</td><td>26</td><td></td><td></td><td>24</td><td>23</td><td>22</td><td>21</td><td>20</td><td>19</td><td>18</td><td></td><td></td></tr> <tr><td colspan="2"></td><td>16</td><td></td><td></td><td></td><td>13</td><td>12</td><td>11</td><td>10</td><td>9</td><td>8</td><td></td><td></td><td></td><td></td><td></td><td></td><td></td><td>1</td></tr> </table>	72	71	70	69	68	67	66	65	64	63	62	61	60	59	58	57	56	55	54	53	52	51	50	49	48	47	46	45	44	43	42	41	40	39	38	37	36		34	33	73		32	31	30	29	28	27	26			24	23	22	21	20	19	18					16				13	12	11	10	9	8								1
72	71	70	69	68	67	66	65	64	63	62	61	60	59	58	57	56	55	54	53																																																																			
52	51	50	49	48	47	46	45	44	43	42	41	40	39	38	37	36		34	33																																																																			
73		32	31	30	29	28	27	26			24	23	22	21	20	19	18																																																																					
		16				13	12	11	10	9	8								1																																																																			

PRE-RELEASE  
REFERENCE  
USE ONLY

THIS DRAWING CONTAINS INFORMATION THAT IS PROPRIETARY TO MOLEX ELECTRONIC TECHNOLOGIES, LLC AND SHOULD NOT BE USED WITHOUT WRITTEN PERMISSION

EC NO: 120083 DRWN: APODDATURI CHKD: REV APPR: VKOSHY	2017/07/13	GENERAL TOLERANCES (UNLESS SPECIFIED)	DIMENSION UNITS	SCALE	  <b>MX123</b> <b>66/73/80CKT HRNS CONN ASSY</b>  <b>PRODUCT CUSTOMER DRAWING</b>	
	2017/08/08	ANGULAR TOL ± °	MM	1:1		
		4 PLACES ±	DRWN BY	DATE		SKRAJENDRANA 2011/02/14
		3 PLACES ±	CHKD BY	DATE		MVANSLAMBROU 2011/02/14
		2 PLACES ±	APPR BY	DATE		
	1 PLACE ±	DRAWING SIZE		THIRD ANGLE PROJECTION		
	0 PLACES ±	DRAFT WHERE APPLICABLE MUST REMAIN WITHIN DIMENSIONS		D		
G55		SERIES	MATERIAL NUMBER	CUSTOMER	34566 SEE BOM TABLE GENERAL MARKET	
RELEASE STATUS		RELEASE DATE		DOCUMENT NUMBER	SD-34566-001	
		DOC TYPE	DOC PART	SHEET NUMBER	PSD 000 61 OF 98	



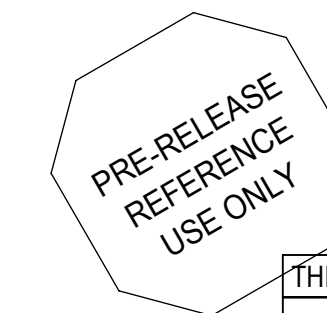


STATUS	GM PART #	MATERIAL #	WIRE DRESS OPTION	KEY OPTION	COLOR (TPA)	NUMBERS INDICATE CAVITIES OPEN FOR CIRCUITS																																																																																					
AVAILABLE	NOT APPLICABLE	34566-5183	0	B	ST.GRAY	<table border="1"> <tr><td></td><td></td><td></td><td></td><td>68</td><td>67</td><td></td><td></td><td></td><td></td><td>64</td><td></td><td></td><td></td><td>59</td><td>58</td><td></td><td></td><td></td><td></td><td>54</td></tr> <tr><td></td><td></td><td></td><td></td><td></td><td></td><td></td><td></td><td>46</td><td>45</td><td>44</td><td></td><td></td><td></td><td>39</td><td>38</td><td></td><td></td><td></td><td></td><td></td></tr> <tr><td>73</td><td></td><td></td><td></td><td></td><td></td><td></td><td>32</td><td>30</td><td>29</td><td>28</td><td>27</td><td></td><td></td><td></td><td>23</td><td>22</td><td></td><td></td><td></td><td>17</td></tr> <tr><td></td><td></td><td></td><td></td><td></td><td></td><td></td><td></td><td></td><td></td><td>12</td><td>10</td><td></td><td></td><td>8</td><td></td><td></td><td></td><td></td><td></td><td>1</td></tr> </table>					68	67					64				59	58					54									46	45	44				39	38						73							32	30	29	28	27				23	22				17											12	10			8						1	
				68	67					64				59	58					54																																																																							
								46	45	44				39	38																																																																												
73							32	30	29	28	27				23	22				17																																																																							
										12	10			8						1																																																																							
AVAILABLE	NOT APPLICABLE	34566-5193	0	A	BLACK	<table border="1"> <tr><td></td><td></td><td>70</td><td>69</td><td></td><td></td><td></td><td></td><td></td><td></td><td>63</td><td>62</td><td>61</td><td>60</td><td></td><td>58</td><td>57</td><td>56</td><td>55</td><td>54</td><td>53</td></tr> <tr><td>52</td><td>51</td><td></td><td>49</td><td></td><td></td><td></td><td></td><td></td><td></td><td>44</td><td>43</td><td>42</td><td>41</td><td></td><td></td><td>37</td><td>36</td><td></td><td>34</td><td></td></tr> <tr><td>73</td><td></td><td></td><td></td><td>32</td><td></td><td></td><td></td><td>29</td><td>28</td><td>27</td><td>26</td><td></td><td></td><td></td><td></td><td></td><td></td><td>19</td><td>18</td><td>17</td></tr> <tr><td></td><td></td><td></td><td></td><td>16</td><td>15</td><td></td><td></td><td>13</td><td>12</td><td>11</td><td>10</td><td></td><td></td><td></td><td></td><td></td><td></td><td></td><td>3</td><td>2</td><td>1</td></tr> </table>			70	69							63	62	61	60		58	57	56	55	54	53	52	51		49							44	43	42	41			37	36		34		73				32				29	28	27	26							19	18	17					16	15			13	12	11	10								3	2	1
		70	69							63	62	61	60		58	57	56	55	54	53																																																																							
52	51		49							44	43	42	41			37	36		34																																																																								
73				32				29	28	27	26							19	18	17																																																																							
				16	15			13	12	11	10								3	2	1																																																																						
AVAILABLE	NOT APPLICABLE	34566-5213	0	A	BLACK	<table border="1"> <tr><td>72</td><td>71</td><td>70</td><td>69</td><td>68</td><td>67</td><td>66</td><td>65</td><td>64</td><td>63</td><td>62</td><td></td><td>60</td><td>59</td><td></td><td></td><td></td><td></td><td>55</td><td>54</td><td>53</td></tr> <tr><td>52</td><td></td><td></td><td>49</td><td>48</td><td></td><td></td><td></td><td>44</td><td>43</td><td>42</td><td>41</td><td>40</td><td>39</td><td></td><td></td><td></td><td></td><td>35</td><td>34</td><td>33</td></tr> <tr><td>73</td><td></td><td></td><td></td><td>32</td><td></td><td></td><td></td><td>29</td><td>27</td><td></td><td>25</td><td>24</td><td>23</td><td></td><td></td><td></td><td></td><td>19</td><td>18</td><td>17</td></tr> <tr><td></td><td></td><td></td><td></td><td>16</td><td></td><td></td><td></td><td>13</td><td>12</td><td>11</td><td></td><td>9</td><td>8</td><td>7</td><td>6</td><td>5</td><td>4</td><td>3</td><td>2</td><td>1</td></tr> </table>	72	71	70	69	68	67	66	65	64	63	62		60	59					55	54	53	52			49	48				44	43	42	41	40	39					35	34	33	73				32				29	27		25	24	23					19	18	17					16				13	12	11		9	8	7	6	5	4	3	2	1	
72	71	70	69	68	67	66	65	64	63	62		60	59					55	54	53																																																																							
52			49	48				44	43	42	41	40	39					35	34	33																																																																							
73				32				29	27		25	24	23					19	18	17																																																																							
				16				13	12	11		9	8	7	6	5	4	3	2	1																																																																							
AVAILABLE	NOT APPLICABLE	34566-5223	0	C	BLUE	<table border="1"> <tr><td>72</td><td></td><td>70</td><td></td><td></td><td>67</td><td>66</td><td></td><td></td><td>63</td><td>62</td><td></td><td></td><td>59</td><td></td><td>57</td><td></td><td></td><td></td><td>53</td></tr> <tr><td>52</td><td>51</td><td></td><td></td><td>48</td><td></td><td>46</td><td></td><td>44</td><td></td><td>42</td><td></td><td>40</td><td>39</td><td></td><td></td><td></td><td></td><td>34</td><td>33</td></tr> <tr><td>73</td><td></td><td></td><td></td><td>32</td><td></td><td>30</td><td></td><td></td><td>27</td><td>26</td><td>25</td><td></td><td></td><td></td><td>22</td><td>21</td><td></td><td></td><td></td></tr> <tr><td></td><td></td><td></td><td></td><td></td><td>15</td><td>14</td><td></td><td></td><td></td><td>10</td><td>9</td><td></td><td></td><td></td><td>6</td><td>5</td><td>4</td><td></td><td></td></tr> </table>	72		70			67	66			63	62			59		57				53	52	51			48		46		44		42		40	39					34	33	73				32		30			27	26	25				22	21									15	14				10	9				6	5	4							
72		70			67	66			63	62			59		57				53																																																																								
52	51			48		46		44		42		40	39					34	33																																																																								
73				32		30			27	26	25				22	21																																																																											
					15	14				10	9				6	5	4																																																																										
AVAILABLE	NOT APPLICABLE	34566-5233	0	C	BLUE	<table border="1"> <tr><td>72</td><td></td><td>70</td><td></td><td>68</td><td>67</td><td>66</td><td></td><td></td><td>63</td><td>62</td><td></td><td></td><td>59</td><td></td><td>57</td><td>56</td><td>55</td><td></td><td>53</td></tr> <tr><td>52</td><td>51</td><td></td><td></td><td>48</td><td>47</td><td>46</td><td></td><td>44</td><td></td><td>42</td><td></td><td>40</td><td>39</td><td>38</td><td></td><td></td><td></td><td>34</td><td>33</td></tr> <tr><td>73</td><td></td><td></td><td></td><td>32</td><td></td><td>30</td><td></td><td></td><td>26</td><td>25</td><td></td><td></td><td></td><td></td><td>22</td><td>21</td><td></td><td>19</td><td>18</td></tr> <tr><td></td><td></td><td></td><td></td><td></td><td>15</td><td>14</td><td></td><td></td><td></td><td>10</td><td>9</td><td></td><td></td><td></td><td>6</td><td>5</td><td>4</td><td>3</td><td></td></tr> </table>	72		70		68	67	66			63	62			59		57	56	55		53	52	51			48	47	46		44		42		40	39	38				34	33	73				32		30			26	25					22	21		19	18						15	14				10	9				6	5	4	3						
72		70		68	67	66			63	62			59		57	56	55		53																																																																								
52	51			48	47	46		44		42		40	39	38				34	33																																																																								
73				32		30			26	25					22	21		19	18																																																																								
					15	14				10	9				6	5	4	3																																																																									
AVAILABLE	NOT APPLICABLE	34566-5243	0	C	BLUE	<table border="1"> <tr><td>72</td><td>71</td><td>70</td><td>69</td><td>68</td><td>67</td><td>66</td><td>65</td><td></td><td>63</td><td>62</td><td>61</td><td></td><td>59</td><td>58</td><td>57</td><td>56</td><td>55</td><td>54</td><td>53</td></tr> <tr><td></td><td>51</td><td>50</td><td>49</td><td>48</td><td></td><td>46</td><td>45</td><td>44</td><td>43</td><td>42</td><td>41</td><td>40</td><td>39</td><td>38</td><td></td><td>36</td><td>35</td><td>34</td><td>33</td></tr> <tr><td>73</td><td></td><td></td><td></td><td></td><td>31</td><td>30</td><td>29</td><td>28</td><td>27</td><td>26</td><td>25</td><td></td><td></td><td></td><td>22</td><td>21</td><td>20</td><td>19</td><td>18</td><td>17</td></tr> <tr><td></td><td></td><td></td><td></td><td></td><td>16</td><td>15</td><td>14</td><td></td><td></td><td></td><td>9</td><td></td><td>7</td><td>6</td><td>5</td><td>4</td><td>3</td><td>2</td><td>1</td></tr> </table>	72	71	70	69	68	67	66	65		63	62	61		59	58	57	56	55	54	53		51	50	49	48		46	45	44	43	42	41	40	39	38		36	35	34	33	73					31	30	29	28	27	26	25				22	21	20	19	18	17						16	15	14				9		7	6	5	4	3	2	1				
72	71	70	69	68	67	66	65		63	62	61		59	58	57	56	55	54	53																																																																								
	51	50	49	48		46	45	44	43	42	41	40	39	38		36	35	34	33																																																																								
73					31	30	29	28	27	26	25				22	21	20	19	18	17																																																																							
					16	15	14				9		7	6	5	4	3	2	1																																																																								
AVAILABLE	NOT APPLICABLE	34566-5253	0	B	ST.GRAY	<table border="1"> <tr><td></td><td></td><td></td><td></td><td></td><td>67</td><td>66</td><td></td><td></td><td>63</td><td></td><td></td><td></td><td>59</td><td>58</td><td>57</td><td>56</td><td>55</td><td></td><td>53</td></tr> <tr><td></td><td></td><td>50</td><td>49</td><td>48</td><td></td><td>46</td><td>45</td><td>43</td><td></td><td></td><td></td><td></td><td>39</td><td>38</td><td>37</td><td>36</td><td>35</td><td>34</td><td>33</td></tr> <tr><td>73</td><td></td><td></td><td></td><td></td><td></td><td></td><td>29</td><td>27</td><td></td><td></td><td></td><td></td><td>23</td><td>22</td><td>21</td><td></td><td></td><td></td><td>18</td></tr> <tr><td></td><td></td><td></td><td></td><td></td><td>16</td><td>15</td><td>14</td><td>13</td><td></td><td></td><td></td><td></td><td>8</td><td>7</td><td>6</td><td>5</td><td>4</td><td>3</td><td></td></tr> </table>						67	66			63				59	58	57	56	55		53			50	49	48		46	45	43					39	38	37	36	35	34	33	73							29	27					23	22	21				18						16	15	14	13					8	7	6	5	4	3						
					67	66			63				59	58	57	56	55		53																																																																								
		50	49	48		46	45	43					39	38	37	36	35	34	33																																																																								
73							29	27					23	22	21				18																																																																								
					16	15	14	13					8	7	6	5	4	3																																																																									
AVAILABLE	NOT APPLICABLE	34566-5263	0	B	ST.GRAY	<table border="1"> <tr><td>72</td><td>71</td><td>70</td><td></td><td>68</td><td>67</td><td>66</td><td></td><td></td><td></td><td>62</td><td>61</td><td>60</td><td>59</td><td>58</td><td>57</td><td>56</td><td>55</td><td>54</td><td>53</td></tr> <tr><td>52</td><td>51</td><td>50</td><td></td><td>48</td><td>47</td><td>46</td><td></td><td></td><td></td><td>42</td><td>41</td><td>40</td><td>39</td><td>38</td><td>37</td><td>36</td><td>35</td><td>34</td><td>33</td></tr> <tr><td>73</td><td></td><td></td><td></td><td>32</td><td>31</td><td>30</td><td>29</td><td>28</td><td>27</td><td></td><td>25</td><td>24</td><td></td><td></td><td></td><td></td><td></td><td></td><td>17</td></tr> <tr><td></td><td></td><td></td><td></td><td>16</td><td>15</td><td>14</td><td>13</td><td></td><td></td><td>10</td><td></td><td>8</td><td></td><td></td><td></td><td></td><td></td><td></td><td>2</td><td>1</td></tr> </table>	72	71	70		68	67	66				62	61	60	59	58	57	56	55	54	53	52	51	50		48	47	46				42	41	40	39	38	37	36	35	34	33	73				32	31	30	29	28	27		25	24							17					16	15	14	13			10		8							2	1				
72	71	70		68	67	66				62	61	60	59	58	57	56	55	54	53																																																																								
52	51	50		48	47	46				42	41	40	39	38	37	36	35	34	33																																																																								
73				32	31	30	29	28	27		25	24							17																																																																								
				16	15	14	13			10		8							2	1																																																																							
AVAILABLE	NOT APPLICABLE	34566-5273	0	A	BLACK	<table border="1"> <tr><td></td><td></td><td>70</td><td>69</td><td></td><td></td><td></td><td></td><td></td><td>63</td><td>62</td><td>61</td><td>60</td><td></td><td>58</td><td>57</td><td>56</td><td>55</td><td>54</td><td>53</td></tr> <tr><td>52</td><td>51</td><td></td><td>49</td><td></td><td></td><td></td><td></td><td>44</td><td>43</td><td>42</td><td>41</td><td></td><td></td><td></td><td>37</td><td>36</td><td></td><td>34</td><td></td></tr> <tr><td>73</td><td></td><td></td><td></td><td>32</td><td></td><td></td><td></td><td>29</td><td>28</td><td>27</td><td>26</td><td></td><td></td><td>23</td><td></td><td></td><td></td><td>19</td><td>18</td></tr> <tr><td></td><td></td><td></td><td></td><td>16</td><td>15</td><td></td><td></td><td>13</td><td>12</td><td>11</td><td>10</td><td>9</td><td>8</td><td></td><td></td><td></td><td></td><td>3</td><td></td></tr> </table>			70	69						63	62	61	60		58	57	56	55	54	53	52	51		49					44	43	42	41				37	36		34		73				32				29	28	27	26			23				19	18					16	15			13	12	11	10	9	8					3						
		70	69						63	62	61	60		58	57	56	55	54	53																																																																								
52	51		49					44	43	42	41				37	36		34																																																																									
73				32				29	28	27	26			23				19	18																																																																								
				16	15			13	12	11	10	9	8					3																																																																									

PRE-RELEASE  
 REFERENCE  
 USE ONLY

THIS DRAWING CONTAINS INFORMATION THAT IS PROPRIETARY TO MOLEX ELECTRONIC TECHNOLOGIES, LLC AND SHOULD NOT BE USED WITHOUT WRITTEN PERMISSION					
EC NO: 120083 DRWN: APODDATURI CHKD: REV APPR: VKOSHY	2017/07/13	GENERAL TOLERANCES (UNLESS SPECIFIED)	DIMENSION UNITS <b>MM</b>	SCALE <b>1:1</b>	  <b>MX123</b> <b>66/73/80CKT HRNS CONN ASSY</b>  <b>PRODUCT CUSTOMER DRAWING</b>
	2017/08/08	ANGULAR TOL ± °	DRWN BY <b>SKRAJENDRANA</b>	DATE <b>2011/02/14</b>	
		4 PLACES ±	CHKD BY <b>MVANSLAMBROU</b>	DATE <b>2011/02/14</b>	
		3 PLACES ±	APPR BY	DATE	
		2 PLACES ±	DRAWING SIZE <b>D</b>		
	1 PLACE ±	THIRD ANGLE PROJECTION 			
	0 PLACES ±	DRAFT WHERE APPLICABLE MUST REMAIN WITHIN DIMENSIONS			
DOCUMENT NUMBER <b>SD-34566-001</b>			DOC TYPE <b>PSD</b>	DOC PART <b>000</b>	SHEET NUMBER <b>63 OF 98</b>



STATUS	GM PART #	MATERIAL #	WIRE DRESS OPTION	KEY OPTION	COLOR (TPA)	NUMBERS INDICATE CAVITIES OPEN FOR CIRCUITS	
						F <sub>p</sub>	
AVAILABLE	NOT APPLICABLE	34566-5283	0	C	BLUE	72 70 68 67 66 63 62 59 57 56 55 54 53	52 51 48 47 46 44 42 40 39 38 37 36 34 33
						73 32 30 26 25 22 21 19 18	15 14 10 9 6 5 4 3
AVAILABLE	NOT APPLICABLE	34566-5293	0	A	BLACK	70 69 63 62 61 60 58 57 56 55 54 53	52 51 49 44 43 42 41 40 37 36 34 33
						73 32 29 28 27 26 19 18 17	16 15 13 12 11 10 3 2 1
AVAILABLE	NOT APPLICABLE	34566-5313	0	C	BLUE	72 70 68 67 66 63 62 59 57 56 55 54 53	52 51 48 47 46 44 42 40 39 38 37 36 34 33
						73 32 30 27 26 25 24 22 21 19 18	15 14 10 9 8 6 5 4 3 2
AVAILABLE	NOT APPLICABLE	34566-5323	0	G	BLUE	80 78 77 75 74 73 72 70 69 67 65 64 63 62	60 58 57 55 54 52 51 50 49 47 45 27 26 25 24
						73 10 9 8 6 5 4 3 2 1	40 38 37 33 32 31 10 9 8 6 5 4 3 2 1
AVAILABLE	NOT APPLICABLE	34566-5333	0	A	BLACK	72 71 70 68 67 66 65 64 63 62 60 59 56 53	51 49 48 47 46 45 44 43 41 40 39 38 20 17
						73 30 29 28 27 26 25 24 20 17	12 11 10 8 6 5 4 3 2 1
AVAILABLE	NOT APPLICABLE	34566-5343	0	B	ST.GRAY	68 67 64 63 59 58 54	39 38 23 22 17
						73 32 30 29 28 27 23 22 19 17	12 10 8 6 5 4 3 2 1
AVAILABLE	NOT APPLICABLE	34566-5353	9	B	ST.GRAY	68 67 64 63 59 58 55 54	39 38 35 34 19 17
						73 32 30 29 28 27 23 22 19 17	15 13 12 10 6 5 4 3 2 1
AVAILABLE	NOT APPLICABLE	34566-5363	0	C	BLUE	72 70 68 67 66 63 62 59 57 53	52 51 48 47 46 44 42 40 39 38 34 33
						73 32 30 26 25 22 21	15 14 10 9 6 5 4
AVAILABLE	NOT APPLICABLE	34566-5373	0	C	BLUE	72 70 68 67 66 63 62 59 57 53	52 51 48 47 46 44 42 40 39 38 34 33
						73 32 30 26 25 22 21	15 14 10 9 6 5 4




THIS DRAWING CONTAINS INFORMATION THAT IS PROPRIETARY TO MOLEX ELECTRONIC TECHNOLOGIES, LLC AND SHOULD NOT BE USED WITHOUT WRITTEN PERMISSION

EC NO: 120083 DRWN: APODDATURI CHKD: REV APPR: VKOSHY	2017/07/13	GENERAL TOLERANCES (UNLESS SPECIFIED)	DIMENSION UNITS	SCALE	
	2017/08/08		MM	1:1	
	ANGULAR TOL ± °		DRWN BY	DATE	
4 PLACES ±		SKRAJENDRANA 2011/02/14		MX123 66/73/80CKT HRNS CONN ASSY  PRODUCT CUSTOMER DRAWING SERIES: 34566 MATERIAL NUMBER: SEE BOM TABLE CUSTOMER: GENERAL MARKET	
3 PLACES ±		CHKD BY	DATE		
2 PLACES ±		MVANSLAMBROU 2011/02/14			
1 PLACE ±		APPR BY	DATE	DOCUMENT NUMBER: SD-34566-001 DOC TYPE: PSD DOC PART: 000 SHEET NUMBER: 64 OF 98	
0 PLACES ±		DRAFT WHERE APPLICABLE MUST REMAIN WITHIN DIMENSIONS			
DRAFT WHERE APPLICABLE MUST REMAIN WITHIN DIMENSIONS		DRAWING SIZE	THIRD ANGLE PROJECTION		
D					

19 18 17 16 15 14 13 12 11 10 9 8 7 6 5 4 3 2 1

STATUS	GM PART #	MATERIAL #	WIRE DRESS OPTION	KEY OPTION 	COLOR (TPA) 	NUMBERS INDICATE CAVITIES OPEN FOR CIRCUITS F <sub>P</sub>																																																								
AVAILABLE	NOT APPLICABLE	34566-5383	0	C	BLUE	<table border="1"> <tr><td>72</td><td>70</td><td>68</td><td>66</td><td>63</td><td>62</td><td>59</td><td>57</td><td>53</td></tr> <tr><td>52</td><td>51</td><td>48</td><td>47</td><td>46</td><td>44</td><td>42</td><td>40</td><td>39</td><td>37</td><td>36</td><td>34</td><td>33</td></tr> <tr><td colspan="2">73</td><td>32</td><td>30</td><td>26</td><td>25</td><td>24</td><td>22</td><td>21</td><td colspan="4"></td></tr> <tr><td colspan="2"></td><td>15</td><td>14</td><td>10</td><td>9</td><td>8</td><td>6</td><td>5</td><td>4</td><td>2</td><td colspan="2"></td></tr> </table>	72	70	68	66	63	62	59	57	53	52	51	48	47	46	44	42	40	39	37	36	34	33	73		32	30	26	25	24	22	21							15	14	10	9	8	6	5	4	2										
72	70	68	66	63	62	59	57	53																																																						
52	51	48	47	46	44	42	40	39	37	36	34	33																																																		
73		32	30	26	25	24	22	21																																																						
		15	14	10	9	8	6	5	4	2																																																				
AVAILABLE	NOT APPLICABLE	34566-5393	0	A	BLACK	<table border="1"> <tr><td>70</td><td>69</td><td>63</td><td>56</td><td>55</td><td>54</td><td>53</td></tr> <tr><td>52</td><td>51</td><td>49</td><td>44</td><td>43</td><td>42</td><td>41</td><td>36</td><td>34</td></tr> <tr><td colspan="2">73</td><td>32</td><td>28</td><td>26</td><td>23</td><td>21</td><td>19</td><td>18</td></tr> <tr><td colspan="2"></td><td>16</td><td>12</td><td>10</td><td>8</td><td>5</td><td>3</td><td></td></tr> </table>	70	69	63	56	55	54	53	52	51	49	44	43	42	41	36	34	73		32	28	26	23	21	19	18			16	12	10	8	5	3																							
70	69	63	56	55	54	53																																																								
52	51	49	44	43	42	41	36	34																																																						
73		32	28	26	23	21	19	18																																																						
		16	12	10	8	5	3																																																							
AVAILABLE	NOT APPLICABLE	34566-5413	0	A	BLACK	<table border="1"> <tr><td>70</td><td>69</td><td>63</td><td>56</td><td>55</td><td>54</td><td>53</td></tr> <tr><td>52</td><td>51</td><td>49</td><td>44</td><td>43</td><td>42</td><td>41</td><td>36</td><td>34</td></tr> <tr><td colspan="2">73</td><td>32</td><td>28</td><td>26</td><td>23</td><td>21</td><td>19</td><td>18</td></tr> <tr><td colspan="2"></td><td>16</td><td>15</td><td>12</td><td>10</td><td>8</td><td>5</td><td>3</td></tr> </table>	70	69	63	56	55	54	53	52	51	49	44	43	42	41	36	34	73		32	28	26	23	21	19	18			16	15	12	10	8	5	3																						
70	69	63	56	55	54	53																																																								
52	51	49	44	43	42	41	36	34																																																						
73		32	28	26	23	21	19	18																																																						
		16	15	12	10	8	5	3																																																						
AVAILABLE <sup>B</sup>	NOT APPLICABLE	34566-5423	0	A	BLACK	<table border="1"> <tr><td>70</td><td>69</td><td>63</td><td>58</td><td>56</td><td>55</td><td>54</td><td>53</td></tr> <tr><td>52</td><td>51</td><td>49</td><td>44</td><td>43</td><td>42</td><td>41</td><td>36</td><td>34</td></tr> <tr><td colspan="2">73</td><td>32</td><td>28</td><td>26</td><td colspan="2"></td><td>19</td><td>18</td></tr> <tr><td colspan="2"></td><td>16</td><td>12</td><td>10</td><td colspan="2"></td><td>3</td><td></td></tr> </table>	70	69	63	58	56	55	54	53	52	51	49	44	43	42	41	36	34	73		32	28	26			19	18			16	12	10			3																						
70	69	63	58	56	55	54	53																																																							
52	51	49	44	43	42	41	36	34																																																						
73		32	28	26			19	18																																																						
		16	12	10			3																																																							
AVAILABLE	NOT APPLICABLE	34566-5433	9	B	ST.GRAY	<table border="1"> <tr><td>68</td><td>67</td><td>64</td><td>59</td><td>58</td><td>54</td></tr> <tr><td colspan="2"></td><td>46</td><td>45</td><td>39</td><td>38</td></tr> <tr><td colspan="2">73</td><td>32</td><td>30</td><td>29</td><td>28</td><td>27</td><td>23</td><td>22</td><td>17</td></tr> <tr><td colspan="2"></td><td>10</td><td colspan="5"></td><td>6</td><td>1</td></tr> </table>	68	67	64	59	58	54			46	45	39	38	73		32	30	29	28	27	23	22	17			10						6	1																								
68	67	64	59	58	54																																																									
		46	45	39	38																																																									
73		32	30	29	28	27	23	22	17																																																					
		10						6	1																																																					
AVAILABLE <sup>B</sup>	NOT APPLICABLE <sup>B</sup>	34566-5443	9	B	ST.GRAY	<table border="1"> <tr><td>68</td><td>67</td><td>64</td><td>59</td><td>58</td><td>54</td></tr> <tr><td colspan="2"></td><td>46</td><td>45</td><td>39</td><td>38</td></tr> <tr><td colspan="2">73</td><td>32</td><td>30</td><td>29</td><td>28</td><td>27</td><td>23</td><td>22</td><td>17</td></tr> <tr><td colspan="2"></td><td>15</td><td>13</td><td>10</td><td colspan="5"></td><td>6</td><td>1</td></tr> </table>	68	67	64	59	58	54			46	45	39	38	73		32	30	29	28	27	23	22	17			15	13	10						6	1																						
68	67	64	59	58	54																																																									
		46	45	39	38																																																									
73		32	30	29	28	27	23	22	17																																																					
		15	13	10						6	1																																																			
AVAILABLE	NOT APPLICABLE	34566-5453	0	B	ST.GRAY	<table border="1"> <tr><td>68</td><td>67</td><td>64</td><td>59</td><td>58</td><td>54</td></tr> <tr><td colspan="2"></td><td>46</td><td>45</td><td>39</td><td>38</td></tr> <tr><td colspan="2">73</td><td>32</td><td>30</td><td>29</td><td>28</td><td>27</td><td>23</td><td>22</td><td>17</td></tr> <tr><td colspan="2"></td><td>15</td><td>13</td><td>10</td><td colspan="5"></td><td>6</td><td>1</td></tr> </table>	68	67	64	59	58	54			46	45	39	38	73		32	30	29	28	27	23	22	17			15	13	10						6	1																						
68	67	64	59	58	54																																																									
		46	45	39	38																																																									
73		32	30	29	28	27	23	22	17																																																					
		15	13	10						6	1																																																			
AVAILABLE	NOT APPLICABLE	34566-5463	0	A	BLACK	<table border="1"> <tr><td>72</td><td>70</td><td>63</td><td>60</td><td>59</td><td>56</td><td>53</td></tr> <tr><td>52</td><td>51</td><td>49</td><td>41</td><td>23</td><td>20</td><td>19</td></tr> <tr><td colspan="2">73</td><td>31</td><td>30</td><td>28</td><td>27</td><td>26</td><td>25</td><td>24</td><td>23</td><td>20</td><td>19</td><td>17</td></tr> <tr><td colspan="2"></td><td>16</td><td>15</td><td>14</td><td>12</td><td>10</td><td>6</td><td colspan="5"></td></tr> </table>	72	70	63	60	59	56	53	52	51	49	41	23	20	19	73		31	30	28	27	26	25	24	23	20	19	17			16	15	14	12	10	6																					
72	70	63	60	59	56	53																																																								
52	51	49	41	23	20	19																																																								
73		31	30	28	27	26	25	24	23	20	19	17																																																		
		16	15	14	12	10	6																																																							
AVAILABLE	NOT APPLICABLE	34566-5473	0	A	BLACK	<table border="1"> <tr><td>72</td><td>71</td><td>70</td><td>68</td><td>67</td><td>66</td><td>65</td><td>64</td><td>63</td><td>62</td><td>60</td><td>59</td><td>56</td><td>53</td></tr> <tr><td>52</td><td>51</td><td>48</td><td>47</td><td>46</td><td>45</td><td>44</td><td>43</td><td>42</td><td>41</td><td>40</td><td colspan="3"></td></tr> <tr><td colspan="2">73</td><td>31</td><td>30</td><td>29</td><td>28</td><td>27</td><td>26</td><td>25</td><td>24</td><td>23</td><td>20</td><td>19</td><td>17</td></tr> <tr><td colspan="2"></td><td>16</td><td>15</td><td>14</td><td>12</td><td>11</td><td>10</td><td>6</td><td colspan="5"></td></tr> </table>	72	71	70	68	67	66	65	64	63	62	60	59	56	53	52	51	48	47	46	45	44	43	42	41	40				73		31	30	29	28	27	26	25	24	23	20	19	17			16	15	14	12	11	10	6					
72	71	70	68	67	66	65	64	63	62	60	59	56	53																																																	
52	51	48	47	46	45	44	43	42	41	40																																																				
73		31	30	29	28	27	26	25	24	23	20	19	17																																																	
		16	15	14	12	11	10	6																																																						


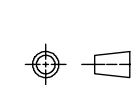
PRE-RELEASE REFERENCE USE ONLY

THIS DRAWING CONTAINS INFORMATION THAT IS PROPRIETARY TO MOLEX ELECTRONIC TECHNOLOGIES, LLC AND SHOULD NOT BE USED WITHOUT WRITTEN PERMISSION														
EC NO: 120093 DRWN: APODDATURI CHKD: REV APPR: VKOSHY	2017/07/13	GENERAL TOLERANCES (UNLESS SPECIFIED)	DIMENSION UNITS	SCALE	 MX123 66/73/80CKT HRNS CONN ASSY PRODUCT CUSTOMER DRAWING									
	2017/08/08	ANGULAR TOL ± °	MM	1:1										
	4 PLACES ±	SKRAJENDRANA	DATE	2011/02/14										
	3 PLACES ±	CHKD BY	DATE											
	2 PLACES ±	MVANSLAMBROU	DATE	2011/02/14										
	1 PLACE ±	APPR BY	DATE											
	0 PLACES ±	DRAFT WHERE APPLICABLE MUST REMAIN WITHIN DIMENSIONS	DRAWING SIZE	THIRD ANGLE PROJECTION										
	D													
	SHEET NUMBER			SERIES			MATERIAL NUMBER			CUSTOMER				
	65 OF 98			34566			SEE BOM TABLE			GENERAL MARKET				
	DOCUMENT NUMBER			DOC TYPE			DOC PART			SHEET NUMBER				
	SD-34566-001			PSD			000			65 OF 98				

STATUS	GM PART #	MATERIAL #	WIRE DRESS OPTION	KEY OPTION ▽ F	COLOR (TPA) ▽ F	NUMBERS INDICATE CAVITIES OPEN FOR CIRCUITS F <sub>p</sub>																																																																											
AVAILABLE	NOT APPLICABLE	34566-5483	0	B	ST.GRAY	<table border="1"> <tr><td>72</td><td>70</td><td>68</td><td>66</td><td>64</td><td>63</td><td>60</td><td>59</td><td>55</td><td>54</td><td>53</td></tr> <tr><td>52</td><td>50</td><td>48</td><td>46</td><td></td><td></td><td>40</td><td>39</td><td>35</td><td>34</td><td>33</td></tr> <tr><td colspan="2">73</td><td>32</td><td>31</td><td>30</td><td>29</td><td>28</td><td>27</td><td>26</td><td>25</td><td>24</td><td>20</td><td>17</td></tr> <tr><td colspan="2"></td><td>16</td><td></td><td></td><td></td><td>10</td><td>8</td><td>5</td><td>4</td><td>2</td><td>1</td><td></td></tr> </table>	72	70	68	66	64	63	60	59	55	54	53	52	50	48	46			40	39	35	34	33	73		32	31	30	29	28	27	26	25	24	20	17			16				10	8	5	4	2	1																												
72	70	68	66	64	63	60	59	55	54	53																																																																							
52	50	48	46			40	39	35	34	33																																																																							
73		32	31	30	29	28	27	26	25	24	20	17																																																																					
		16				10	8	5	4	2	1																																																																						
AVAILABLE	NOT APPLICABLE	34566-5493	0	A	BLACK	<table border="1"> <tr><td>72</td><td>70</td><td>69</td><td></td><td></td><td></td><td>63</td><td>60</td><td>59</td><td>58</td><td>57</td><td>56</td><td>55</td><td>54</td><td>53</td></tr> <tr><td>52</td><td>51</td><td>49</td><td></td><td></td><td></td><td>44</td><td>43</td><td>42</td><td>41</td><td>40</td><td>37</td><td>36</td><td>34</td><td></td></tr> <tr><td colspan="2">73</td><td>32</td><td></td><td></td><td></td><td>28</td><td>26</td><td></td><td></td><td></td><td></td><td>19</td><td>18</td><td>17</td></tr> <tr><td colspan="2"></td><td>16</td><td>15</td><td></td><td></td><td>12</td><td>10</td><td></td><td></td><td></td><td></td><td>3</td><td>2</td><td>1</td></tr> </table>	72	70	69				63	60	59	58	57	56	55	54	53	52	51	49				44	43	42	41	40	37	36	34		73		32				28	26					19	18	17			16	15			12	10					3	2	1															
72	70	69				63	60	59	58	57	56	55	54	53																																																																			
52	51	49				44	43	42	41	40	37	36	34																																																																				
73		32				28	26					19	18	17																																																																			
		16	15			12	10					3	2	1																																																																			
AVAILABLE	NOT APPLICABLE	34566-5513	9	B	ST.GRAY	<table border="1"> <tr><td></td><td></td><td>68</td><td>67</td><td></td><td></td><td>64</td><td>63</td><td></td><td></td><td></td><td>58</td><td></td><td>55</td><td></td></tr> <tr><td></td><td></td><td></td><td></td><td>46</td><td>45</td><td></td><td>43</td><td></td><td></td><td></td><td>38</td><td></td><td>35</td><td></td></tr> <tr><td colspan="2">73</td><td>32</td><td></td><td>30</td><td>29</td><td>28</td><td>27</td><td></td><td></td><td></td><td>22</td><td></td><td>19</td><td>17</td></tr> <tr><td colspan="2"></td><td></td><td></td><td></td><td></td><td></td><td>10</td><td></td><td></td><td></td><td></td><td></td><td></td><td>1</td></tr> </table>			68	67			64	63				58		55						46	45		43				38		35		73		32		30	29	28	27				22		19	17								10							1															
		68	67			64	63				58		55																																																																				
				46	45		43				38		35																																																																				
73		32		30	29	28	27				22		19	17																																																																			
							10							1																																																																			
AVAILABLE	NOT APPLICABLE	34566-5523	9	A	BLACK	<table border="1"> <tr><td>72</td><td></td><td>69</td><td>67</td><td>66</td><td>65</td><td></td><td>63</td><td></td><td></td><td>60</td><td></td><td>57</td><td>56</td><td></td><td>53</td></tr> <tr><td></td><td></td><td>49</td><td>47</td><td></td><td></td><td>44</td><td>43</td><td>42</td><td></td><td>40</td><td></td><td>37</td><td>36</td><td>35</td><td>33</td></tr> <tr><td colspan="2">73</td><td></td><td>31</td><td>30</td><td>29</td><td>28</td><td>27</td><td>26</td><td></td><td>24</td><td></td><td>21</td><td>20</td><td></td><td>17</td></tr> <tr><td colspan="2"></td><td></td><td>16</td><td>15</td><td>14</td><td>13</td><td></td><td>11</td><td>10</td><td></td><td></td><td>5</td><td>4</td><td>3</td><td>2</td><td>1</td></tr> </table>	72		69	67	66	65		63			60		57	56		53			49	47			44	43	42		40		37	36	35	33	73			31	30	29	28	27	26		24		21	20		17				16	15	14	13		11	10			5	4	3	2	1										
72		69	67	66	65		63			60		57	56		53																																																																		
		49	47			44	43	42		40		37	36	35	33																																																																		
73			31	30	29	28	27	26		24		21	20		17																																																																		
			16	15	14	13		11	10			5	4	3	2	1																																																																	
AVAILABLE	NOT APPLICABLE	34566-5533	9	B	ST.GRAY	<table border="1"> <tr><td></td><td></td><td>68</td><td>67</td><td></td><td></td><td>64</td><td></td><td></td><td></td><td></td><td>59</td><td>58</td><td></td><td></td><td>54</td></tr> <tr><td></td><td></td><td></td><td></td><td>46</td><td>45</td><td></td><td></td><td></td><td></td><td></td><td>39</td><td>38</td><td></td><td></td><td></td></tr> <tr><td colspan="2">73</td><td>32</td><td></td><td>30</td><td>29</td><td>28</td><td>27</td><td></td><td></td><td></td><td>23</td><td>22</td><td></td><td></td><td>17</td></tr> <tr><td colspan="2"></td><td></td><td></td><td></td><td></td><td></td><td></td><td>10</td><td>9</td><td>8</td><td></td><td>6</td><td></td><td></td><td></td><td>1</td></tr> </table>			68	67			64					59	58			54					46	45						39	38				73		32		30	29	28	27				23	22			17									10	9	8		6				1										
		68	67			64					59	58			54																																																																		
				46	45						39	38																																																																					
73		32		30	29	28	27				23	22			17																																																																		
								10	9	8		6				1																																																																	
AVAILABLE	NOT APPLICABLE	34566-5543	9	A	BLACK	<table border="1"> <tr><td></td><td></td><td>68</td><td>67</td><td></td><td></td><td>64</td><td></td><td></td><td></td><td></td><td>59</td><td>58</td><td></td><td></td><td>54</td></tr> <tr><td></td><td></td><td></td><td></td><td>46</td><td>45</td><td></td><td></td><td></td><td></td><td></td><td>39</td><td>38</td><td></td><td></td><td></td></tr> <tr><td colspan="2">73</td><td>32</td><td></td><td>30</td><td>29</td><td>28</td><td>27</td><td></td><td></td><td></td><td>23</td><td>22</td><td></td><td></td><td>17</td></tr> <tr><td colspan="2"></td><td></td><td></td><td></td><td></td><td>12</td><td>10</td><td></td><td>8</td><td></td><td>6</td><td></td><td></td><td></td><td></td><td>1</td></tr> </table>			68	67			64					59	58			54					46	45						39	38				73		32		30	29	28	27				23	22			17							12	10		8		6					1										
		68	67			64					59	58			54																																																																		
				46	45						39	38																																																																					
73		32		30	29	28	27				23	22			17																																																																		
						12	10		8		6					1																																																																	
AVAILABLE	NOT APPLICABLE	34566-5553	9	B	ST.GRAY	<table border="1"> <tr><td></td><td></td><td>68</td><td>67</td><td></td><td></td><td>64</td><td></td><td></td><td></td><td></td><td>59</td><td>58</td><td></td><td></td><td>54</td></tr> <tr><td></td><td></td><td></td><td></td><td>46</td><td>45</td><td></td><td></td><td></td><td></td><td></td><td>39</td><td>38</td><td></td><td></td><td></td></tr> <tr><td colspan="2">73</td><td>32</td><td></td><td>30</td><td>29</td><td>28</td><td>27</td><td></td><td></td><td></td><td>23</td><td>22</td><td></td><td></td><td>17</td></tr> <tr><td colspan="2"></td><td></td><td></td><td></td><td></td><td>12</td><td>10</td><td></td><td>8</td><td></td><td>6</td><td></td><td></td><td></td><td></td><td>1</td></tr> </table>			68	67			64					59	58			54					46	45						39	38				73		32		30	29	28	27				23	22			17							12	10		8		6					1										
		68	67			64					59	58			54																																																																		
				46	45						39	38																																																																					
73		32		30	29	28	27				23	22			17																																																																		
						12	10		8		6					1																																																																	
AVAILABLE	NOT APPLICABLE	34566-5563	0	A	BLACK	<table border="1"> <tr><td>72</td><td>71</td><td>70</td><td>69</td><td></td><td></td><td></td><td>64</td><td>63</td><td></td><td>60</td><td>59</td><td>58</td><td>57</td><td>56</td><td>55</td><td>54</td><td>53</td></tr> <tr><td>52</td><td>51</td><td></td><td>49</td><td>48</td><td>47</td><td></td><td>45</td><td>44</td><td>43</td><td>42</td><td>41</td><td></td><td></td><td>37</td><td>36</td><td></td><td>34</td><td>33</td></tr> <tr><td colspan="2">73</td><td></td><td></td><td>32</td><td></td><td>30</td><td></td><td>28</td><td></td><td>26</td><td></td><td></td><td></td><td></td><td></td><td>19</td><td>18</td><td>17</td></tr> <tr><td colspan="2"></td><td></td><td></td><td>16</td><td>15</td><td></td><td></td><td>12</td><td></td><td>10</td><td></td><td></td><td></td><td></td><td></td><td>3</td><td>2</td><td>1</td></tr> </table>	72	71	70	69				64	63		60	59	58	57	56	55	54	53	52	51		49	48	47		45	44	43	42	41			37	36		34	33	73				32		30		28		26						19	18	17					16	15			12		10						3	2	1
72	71	70	69				64	63		60	59	58	57	56	55	54	53																																																																
52	51		49	48	47		45	44	43	42	41			37	36		34	33																																																															
73				32		30		28		26						19	18	17																																																															
				16	15			12		10						3	2	1																																																															
AVAILABLE	NOT APPLICABLE	34566-5573	0	C	BLUE	<table border="1"> <tr><td>72</td><td>70</td><td>68</td><td></td><td>66</td><td></td><td></td><td>63</td><td>62</td><td></td><td>59</td><td>58</td><td>57</td><td>56</td><td>55</td><td></td><td>53</td></tr> <tr><td>52</td><td>51</td><td></td><td>49</td><td>48</td><td>47</td><td>46</td><td></td><td>44</td><td>42</td><td>40</td><td>39</td><td>38</td><td>37</td><td>36</td><td></td><td>34</td><td>33</td></tr> <tr><td colspan="2">73</td><td></td><td></td><td>32</td><td></td><td>30</td><td></td><td></td><td>26</td><td>25</td><td>24</td><td>23</td><td>22</td><td>21</td><td>20</td><td>19</td><td>18</td><td>17</td></tr> <tr><td colspan="2"></td><td></td><td></td><td></td><td></td><td>15</td><td>14</td><td>13</td><td></td><td>10</td><td>9</td><td>8</td><td>7</td><td>6</td><td>5</td><td>4</td><td>2</td><td>1</td></tr> </table>	72	70	68		66			63	62		59	58	57	56	55		53	52	51		49	48	47	46		44	42	40	39	38	37	36		34	33	73				32		30			26	25	24	23	22	21	20	19	18	17							15	14	13		10	9	8	7	6	5	4	2	1		
72	70	68		66			63	62		59	58	57	56	55		53																																																																	
52	51		49	48	47	46		44	42	40	39	38	37	36		34	33																																																																
73				32		30			26	25	24	23	22	21	20	19	18	17																																																															
						15	14	13		10	9	8	7	6	5	4	2	1																																																															


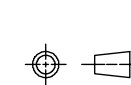
PRE-RELEASE  
REFERENCE  
USE ONLY

THIS DRAWING CONTAINS INFORMATION THAT IS PROPRIETARY TO MOLEX ELECTRONIC TECHNOLOGIES, LLC AND SHOULD NOT BE USED WITHOUT WRITTEN PERMISSION

EC NO: 120093 DRWN: APODDATURI CHKD: REV APPR: VKOSHY	2017/07/13	2017/08/08	GENERAL TOLERANCES (UNLESS SPECIFIED)	DIMENSION UNITS	SCALE		
			ANGULAR TOL ± °	MM	1:1		
			4 PLACES ±	DRWN BY	DATE		SKRAJENDRANA 2011/02/14
			3 PLACES ±	CHKD BY	DATE		
			2 PLACES ±	APPR BY	DATE		MVANSLAMBROU 2011/02/14
		1 PLACE ±					
		0 PLACES ±	DRAFT WHERE APPLICABLE MUST REMAIN WITHIN DIMENSIONS	DRAWING SIZE	THIRD ANGLE PROJECTION	PRODUCT CUSTOMER DRAWING	
				D		SERIES: 34566 MATERIAL NUMBER: SEE BOM TABLE CUSTOMER: GENERAL MARKET	
						DOCUMENT NUMBER: SD-34566-001 DOC TYPE: PSD DOC PART: 000 SHEET NUMBER: 66 OF 98	

STATUS	GM PART #	MATERIAL #	WIRE DRESS OPTION	KEY OPTION	COLOR (TPA)	NUMBERS INDICATE CAVITIES OPEN FOR CIRCUITS F <sub>P</sub>																																																															
AVAILABLE	NOT APPLICABLE	34566-5583	0	B	ST.GRAY	<table border="1"> <tr><td>72</td><td>70</td><td>68</td><td>66</td><td>64</td><td>63</td><td>60</td><td>59</td><td>55</td><td>54</td><td>53</td></tr> <tr><td>52</td><td>50</td><td>48</td><td>46</td><td></td><td></td><td>40</td><td>39</td><td>35</td><td>34</td><td>33</td></tr> <tr><td colspan="2">73</td><td>32</td><td>31</td><td>30</td><td>29</td><td>28</td><td>27</td><td>26</td><td>25</td><td>24</td><td>23</td><td>20</td><td>17</td></tr> <tr><td colspan="2"></td><td>16</td><td></td><td></td><td></td><td>10</td><td>8</td><td>7</td><td>5</td><td>4</td><td>2</td><td>1</td><td></td></tr> </table>	72	70	68	66	64	63	60	59	55	54	53	52	50	48	46			40	39	35	34	33	73		32	31	30	29	28	27	26	25	24	23	20	17			16				10	8	7	5	4	2	1														
72	70	68	66	64	63	60	59	55	54	53																																																											
52	50	48	46			40	39	35	34	33																																																											
73		32	31	30	29	28	27	26	25	24	23	20	17																																																								
		16				10	8	7	5	4	2	1																																																									
AVAILABLE	NOT APPLICABLE	34566-5593	0	C	BLUE	<table border="1"> <tr><td>72</td><td>70</td><td>68</td><td>66</td><td>63</td><td>62</td><td>59</td><td>57</td><td>55</td><td>53</td></tr> <tr><td>52</td><td>51</td><td>48</td><td>47</td><td>46</td><td>44</td><td>42</td><td>40</td><td>39</td><td>34</td><td>33</td></tr> <tr><td colspan="2">73</td><td>32</td><td>30</td><td></td><td></td><td>26</td><td>25</td><td>23</td><td>22</td><td>21</td><td></td><td></td><td></td></tr> <tr><td colspan="2"></td><td>15</td><td>14</td><td></td><td></td><td>10</td><td>9</td><td>7</td><td>6</td><td>5</td><td>4</td><td></td><td></td></tr> </table>	72	70	68	66	63	62	59	57	55	53	52	51	48	47	46	44	42	40	39	34	33	73		32	30			26	25	23	22	21						15	14			10	9	7	6	5	4																
72	70	68	66	63	62	59	57	55	53																																																												
52	51	48	47	46	44	42	40	39	34	33																																																											
73		32	30			26	25	23	22	21																																																											
		15	14			10	9	7	6	5	4																																																										
AVAILABLE	NOT APPLICABLE	34566-5613	0	C	BLUE	<table border="1"> <tr><td>72</td><td>70</td><td>68</td><td></td><td>63</td><td>62</td><td>59</td><td>58</td><td>57</td><td></td><td>53</td></tr> <tr><td>52</td><td>51</td><td>48</td><td>47</td><td>44</td><td>42</td><td>40</td><td>39</td><td>37</td><td>36</td><td>34</td><td>33</td></tr> <tr><td colspan="2">73</td><td>32</td><td>30</td><td>27</td><td>26</td><td>25</td><td>24</td><td>23</td><td>22</td><td>21</td><td>20</td><td>17</td></tr> <tr><td colspan="2"></td><td>15</td><td>14</td><td>13</td><td></td><td>8</td><td>7</td><td>6</td><td>5</td><td>4</td><td>2</td><td>1</td><td></td></tr> </table>	72	70	68		63	62	59	58	57		53	52	51	48	47	44	42	40	39	37	36	34	33	73		32	30	27	26	25	24	23	22	21	20	17			15	14	13		8	7	6	5	4	2	1														
72	70	68		63	62	59	58	57		53																																																											
52	51	48	47	44	42	40	39	37	36	34	33																																																										
73		32	30	27	26	25	24	23	22	21	20	17																																																									
		15	14	13		8	7	6	5	4	2	1																																																									
AVAILABLE	NOT APPLICABLE	34566-5623	0	C	BLUE	<table border="1"> <tr><td>72</td><td>70</td><td>68</td><td></td><td>63</td><td>62</td><td>59</td><td>57</td><td></td><td>53</td></tr> <tr><td>52</td><td>51</td><td>48</td><td>47</td><td>44</td><td>42</td><td>40</td><td>39</td><td>37</td><td>36</td><td>34</td><td>33</td></tr> <tr><td colspan="2">73</td><td>32</td><td>30</td><td>27</td><td>26</td><td>25</td><td>24</td><td>23</td><td>22</td><td>21</td><td>20</td><td></td><td></td></tr> <tr><td colspan="2"></td><td>15</td><td>14</td><td>13</td><td></td><td>8</td><td>7</td><td>6</td><td>5</td><td>4</td><td>2</td><td></td><td></td></tr> </table>	72	70	68		63	62	59	57		53	52	51	48	47	44	42	40	39	37	36	34	33	73		32	30	27	26	25	24	23	22	21	20					15	14	13		8	7	6	5	4	2															
72	70	68		63	62	59	57		53																																																												
52	51	48	47	44	42	40	39	37	36	34	33																																																										
73		32	30	27	26	25	24	23	22	21	20																																																										
		15	14	13		8	7	6	5	4	2																																																										
AVAILABLE	NOT APPLICABLE	34566-5633	0	B	ST.GRAY	<table border="1"> <tr><td>72</td><td></td><td></td><td></td><td></td><td>62</td><td>61</td><td></td><td></td><td></td><td></td><td></td><td></td><td></td></tr> <tr><td>52</td><td></td><td></td><td>48</td><td>46</td><td>44</td><td>43</td><td>41</td><td>40</td><td></td><td></td><td></td><td></td><td></td></tr> <tr><td colspan="2">73</td><td></td><td></td><td>30</td><td></td><td></td><td></td><td></td><td></td><td></td><td>20</td><td>19</td><td>18</td></tr> <tr><td colspan="2"></td><td>16</td><td>15</td><td>14</td><td></td><td></td><td></td><td></td><td></td><td></td><td>4</td><td></td><td></td></tr> </table>	72					62	61								52			48	46	44	43	41	40						73				30							20	19	18			16	15	14							4									
72					62	61																																																															
52			48	46	44	43	41	40																																																													
73				30							20	19	18																																																								
		16	15	14							4																																																										
AVAILABLE	NOT APPLICABLE	34566-5643	0	B	ST.GRAY	<table border="1"> <tr><td>72</td><td></td><td></td><td></td><td></td><td>62</td><td>61</td><td></td><td></td><td></td><td></td><td></td><td></td><td></td></tr> <tr><td>52</td><td></td><td></td><td>48</td><td>46</td><td>43</td><td>41</td><td>40</td><td></td><td></td><td></td><td></td><td></td><td></td></tr> <tr><td colspan="2">73</td><td></td><td></td><td>30</td><td></td><td></td><td></td><td></td><td></td><td></td><td>20</td><td>19</td><td>18</td></tr> <tr><td colspan="2"></td><td>16</td><td>15</td><td>14</td><td></td><td></td><td></td><td></td><td></td><td></td><td>4</td><td></td><td></td></tr> </table>	72					62	61								52			48	46	43	41	40							73				30							20	19	18			16	15	14							4									
72					62	61																																																															
52			48	46	43	41	40																																																														
73				30							20	19	18																																																								
		16	15	14							4																																																										
AVAILABLE	NOT APPLICABLE	34566-5653	0	A	BLACK	<table border="1"> <tr><td>72</td><td>71</td><td>70</td><td>69</td><td>68</td><td>66</td><td>65</td><td>64</td><td>63</td><td>61</td><td>60</td><td>57</td><td>56</td><td>54</td><td>53</td></tr> <tr><td>52</td><td>51</td><td>50</td><td>49</td><td>48</td><td>46</td><td>45</td><td>44</td><td>43</td><td>40</td><td>39</td><td>38</td><td>37</td><td>36</td><td>34</td><td>33</td></tr> <tr><td colspan="2">73</td><td>32</td><td>31</td><td>30</td><td>29</td><td>28</td><td></td><td></td><td>26</td><td>25</td><td>23</td><td>22</td><td>21</td><td></td><td>17</td></tr> <tr><td colspan="2"></td><td>15</td><td>14</td><td>13</td><td>12</td><td></td><td></td><td></td><td>9</td><td>7</td><td>6</td><td>5</td><td></td><td></td><td>2</td></tr> </table>	72	71	70	69	68	66	65	64	63	61	60	57	56	54	53	52	51	50	49	48	46	45	44	43	40	39	38	37	36	34	33	73		32	31	30	29	28			26	25	23	22	21		17			15	14	13	12				9	7	6	5			2
72	71	70	69	68	66	65	64	63	61	60	57	56	54	53																																																							
52	51	50	49	48	46	45	44	43	40	39	38	37	36	34	33																																																						
73		32	31	30	29	28			26	25	23	22	21		17																																																						
		15	14	13	12				9	7	6	5			2																																																						
AVAILABLE	NOT APPLICABLE	34566-5663	0	C	BLUE	<table border="1"> <tr><td></td><td></td><td>69</td><td>67</td><td>66</td><td>64</td><td>62</td><td>60</td><td>57</td><td>55</td><td>54</td></tr> <tr><td>52</td><td>51</td><td>50</td><td>48</td><td>46</td><td>45</td><td>44</td><td>42</td><td>37</td><td>35</td><td>34</td><td>33</td></tr> <tr><td colspan="2">73</td><td>32</td><td>31</td><td></td><td>28</td><td>27</td><td>26</td><td></td><td>19</td><td>18</td><td></td><td></td></tr> <tr><td colspan="2"></td><td>16</td><td>15</td><td>14</td><td>13</td><td>12</td><td>11</td><td>10</td><td>9</td><td></td><td></td><td></td><td></td></tr> </table>			69	67	66	64	62	60	57	55	54	52	51	50	48	46	45	44	42	37	35	34	33	73		32	31		28	27	26		19	18					16	15	14	13	12	11	10	9																	
		69	67	66	64	62	60	57	55	54																																																											
52	51	50	48	46	45	44	42	37	35	34	33																																																										
73		32	31		28	27	26		19	18																																																											
		16	15	14	13	12	11	10	9																																																												
AVAILABLE	NOT APPLICABLE	34566-5673	0	C	BLUE	<table border="1"> <tr><td></td><td></td><td>69</td><td>67</td><td>66</td><td>64</td><td>61</td><td>60</td><td>57</td><td></td><td>54</td></tr> <tr><td>52</td><td>51</td><td>50</td><td>49</td><td>48</td><td>46</td><td>45</td><td>44</td><td>41</td><td></td><td>37</td><td>34</td><td>33</td></tr> <tr><td colspan="2">73</td><td>32</td><td>31</td><td></td><td>28</td><td>27</td><td>25</td><td></td><td></td><td></td><td>18</td><td></td><td></td></tr> <tr><td colspan="2"></td><td>16</td><td>15</td><td>14</td><td>13</td><td>12</td><td>11</td><td>10</td><td>9</td><td></td><td></td><td></td><td></td></tr> </table>			69	67	66	64	61	60	57		54	52	51	50	49	48	46	45	44	41		37	34	33	73		32	31		28	27	25				18					16	15	14	13	12	11	10	9															
		69	67	66	64	61	60	57		54																																																											
52	51	50	49	48	46	45	44	41		37	34	33																																																									
73		32	31		28	27	25				18																																																										
		16	15	14	13	12	11	10	9																																																												

PRE-RELEASE  
REFERENCE  
USE ONLY

THIS DRAWING CONTAINS INFORMATION THAT IS PROPRIETARY TO MOLEX ELECTRONIC TECHNOLOGIES, LLC AND SHOULD NOT BE USED WITHOUT WRITTEN PERMISSION											
EC NO: 120083 DRWN: APODDATURI CHKD: REV APPR: VKOSHY	2017/07/13	2017/08/08	GENERAL TOLERANCES (UNLESS SPECIFIED)	DIMENSION UNITS	SCALE						
			ANGULAR TOL ± °	MM	1:1						
	4 PLACES ±	SKRAJENDRANA	DATE	MX123 66/73/80CKT HRNS CONN ASSY							
	3 PLACES ±		2011/02/14								
	2 PLACES ±	MVANSLAMBROU	DATE	PRODUCT CUSTOMER DRAWING							
	1 PLACE ±		2011/02/14								
0 PLACES ±			SERIES MATERIAL NUMBER CUSTOMER 34566 SEE BOM TABLE GENERAL MARKET								
DRAFT WHERE APPLICABLE MUST REMAIN WITHIN DIMENSIONS	DRAWING SIZE	THIRD ANGLE PROJECTION									
G55	D		DOCUMENT NUMBER DOC TYPE DOC PART SHEET NUMBER SD-34566-001 PSD 000 67 OF 98								

STATUS	GM PART #	MATERIAL #	WIRE DRESS OPTION	KEY OPTION ▽	COLOR (TPA) ▽	NUMBERS INDICATE CAVITIES OPEN FOR CIRCUITS Fp																																																																																																																										
AVAILABLE	NOT APPLICABLE	34566-5683	0	B	ST.GRAY	<table border="1"> <tr><td>72</td><td></td><td></td><td></td><td></td><td></td><td></td><td></td><td></td><td></td><td>62</td><td>61</td><td></td><td></td><td></td><td></td><td></td><td></td><td></td><td></td><td></td><td></td><td></td><td></td><td></td><td></td><td></td><td></td><td></td></tr> <tr><td>52</td><td></td><td></td><td></td><td></td><td>48</td><td></td><td></td><td></td><td></td><td>46</td><td>44</td><td>43</td><td></td><td></td><td>41</td><td>40</td><td></td><td></td><td></td><td></td><td></td><td></td><td></td><td></td><td></td><td></td><td>20</td><td>19</td><td>18</td></tr> <tr><td colspan="2">73</td><td></td><td></td><td></td><td>16</td><td></td><td></td><td>14</td><td></td><td></td><td></td><td></td><td></td><td></td><td></td><td></td><td></td><td></td><td></td><td></td><td></td><td></td><td></td><td></td><td></td><td>4</td><td></td><td></td></tr> </table>	72										62	61																		52					48					46	44	43			41	40											20	19	18	73					16			14																		4																																				
72										62	61																																																																																																																					
52					48					46	44	43			41	40											20	19	18																																																																																																			
73					16			14																		4																																																																																																						
AVAILABLE	NOT APPLICABLE	34566-5693	0	A	BLACK	<table border="1"> <tr><td>72</td><td>71</td><td>70</td><td>69</td><td>68</td><td></td><td>66</td><td>65</td><td>64</td><td>63</td><td></td><td>61</td><td>60</td><td></td><td></td><td>57</td><td>56</td><td></td><td></td><td></td><td>54</td><td>53</td><td></td><td></td><td></td><td></td><td></td><td></td><td></td><td></td></tr> <tr><td>52</td><td>51</td><td>50</td><td>49</td><td>48</td><td></td><td>46</td><td>45</td><td>44</td><td>43</td><td></td><td></td><td>40</td><td></td><td></td><td>39</td><td>38</td><td>37</td><td>36</td><td></td><td></td><td></td><td></td><td></td><td></td><td></td><td></td><td></td><td></td><td></td><td></td></tr> <tr><td colspan="2">73</td><td></td><td></td><td></td><td>32</td><td>31</td><td></td><td></td><td></td><td>30</td><td>29</td><td>28</td><td></td><td></td><td>26</td><td>25</td><td></td><td></td><td></td><td>23</td><td>22</td><td>21</td><td>20</td><td></td><td></td><td></td><td></td><td></td><td></td></tr> <tr><td colspan="2">73</td><td></td><td></td><td></td><td></td><td>15</td><td>14</td><td>13</td><td>12</td><td></td><td></td><td></td><td>9</td><td></td><td>7</td><td>6</td><td>5</td><td>4</td><td></td><td></td><td></td><td>2</td><td></td><td></td><td></td><td></td><td></td><td></td><td></td><td></td></tr> </table>	72	71	70	69	68		66	65	64	63		61	60			57	56				54	53									52	51	50	49	48		46	45	44	43			40			39	38	37	36													73					32	31				30	29	28			26	25				23	22	21	20							73						15	14	13	12				9		7	6	5	4				2								
72	71	70	69	68		66	65	64	63		61	60			57	56				54	53																																																																																																											
52	51	50	49	48		46	45	44	43			40			39	38	37	36																																																																																																														
73					32	31				30	29	28			26	25				23	22	21	20																																																																																																									
73						15	14	13	12				9		7	6	5	4				2																																																																																																										
AVAILABLE	NOT APPLICABLE	34566-5713	0	C	BLUE	<table border="1"> <tr><td></td><td></td><td></td><td>69</td><td></td><td>67</td><td>66</td><td></td><td>64</td><td></td><td></td><td>62</td><td></td><td>60</td><td></td><td></td><td>57</td><td></td><td>55</td><td>54</td><td></td><td></td><td></td><td></td><td></td><td></td><td></td><td></td><td></td><td></td></tr> <tr><td>52</td><td>51</td><td>50</td><td></td><td>48</td><td></td><td>46</td><td>45</td><td>44</td><td></td><td></td><td>42</td><td></td><td></td><td></td><td></td><td>37</td><td></td><td></td><td>35</td><td>34</td><td>33</td><td></td><td></td><td></td><td></td><td></td><td></td><td></td><td></td></tr> <tr><td colspan="2">73</td><td></td><td></td><td></td><td>32</td><td>31</td><td></td><td></td><td></td><td>28</td><td>27</td><td>26</td><td></td><td></td><td></td><td></td><td></td><td></td><td></td><td></td><td>19</td><td>18</td><td>17</td><td></td><td></td><td></td><td></td><td></td><td></td></tr> <tr><td colspan="2">73</td><td></td><td></td><td></td><td></td><td>16</td><td>15</td><td>14</td><td>13</td><td>12</td><td>11</td><td>10</td><td>9</td><td>8</td><td>7</td><td></td><td></td><td></td><td></td><td></td><td></td><td></td><td></td><td></td><td></td><td></td><td></td><td></td><td></td></tr> </table>				69		67	66		64			62		60			57		55	54											52	51	50		48		46	45	44			42					37			35	34	33									73					32	31				28	27	26									19	18	17							73						16	15	14	13	12	11	10	9	8	7																
			69		67	66		64			62		60			57		55	54																																																																																																													
52	51	50		48		46	45	44			42					37			35	34	33																																																																																																											
73					32	31				28	27	26									19	18	17																																																																																																									
73						16	15	14	13	12	11	10	9	8	7																																																																																																																	
AVAILABLE	NOT APPLICABLE	34566-5723	0	C	BLUE	<table border="1"> <tr><td></td><td></td><td></td><td>69</td><td></td><td>67</td><td>66</td><td></td><td>64</td><td></td><td></td><td>61</td><td>60</td><td></td><td></td><td>57</td><td></td><td></td><td>54</td><td></td><td></td><td></td><td></td><td></td><td></td><td></td><td></td><td></td><td></td><td></td></tr> <tr><td>52</td><td>51</td><td>50</td><td>49</td><td>48</td><td></td><td>46</td><td>45</td><td>44</td><td></td><td></td><td>41</td><td></td><td></td><td></td><td>37</td><td></td><td></td><td></td><td>34</td><td>33</td><td></td><td></td><td></td><td></td><td></td><td></td><td></td><td></td><td></td></tr> <tr><td colspan="2">73</td><td></td><td></td><td></td><td>31</td><td></td><td></td><td></td><td></td><td>28</td><td>27</td><td>25</td><td></td><td></td><td></td><td></td><td></td><td></td><td></td><td></td><td></td><td>18</td><td></td><td></td><td></td><td></td><td></td><td></td><td></td></tr> <tr><td colspan="2">73</td><td></td><td></td><td></td><td></td><td>16</td><td>15</td><td>14</td><td>13</td><td>12</td><td>11</td><td>10</td><td>9</td><td>8</td><td>7</td><td></td><td></td><td></td><td></td><td></td><td></td><td></td><td></td><td></td><td></td><td></td><td></td><td></td><td></td></tr> </table>				69		67	66		64			61	60			57			54												52	51	50	49	48		46	45	44			41				37				34	33										73					31					28	27	25										18								73						16	15	14	13	12	11	10	9	8	7																
			69		67	66		64			61	60			57			54																																																																																																														
52	51	50	49	48		46	45	44			41				37				34	33																																																																																																												
73					31					28	27	25										18																																																																																																										
73						16	15	14	13	12	11	10	9	8	7																																																																																																																	
AVAILABLE	NOT APPLICABLE	34566-5733	0	A	BLACK	<table border="1"> <tr><td></td><td>71</td><td>70</td><td>69</td><td></td><td></td><td></td><td></td><td>64</td><td>63</td><td></td><td></td><td>60</td><td>59</td><td>58</td><td>57</td><td>56</td><td>55</td><td>54</td><td>53</td><td></td><td></td><td></td><td></td><td></td><td></td><td></td><td></td><td></td><td></td><td></td></tr> <tr><td>52</td><td>51</td><td></td><td>49</td><td></td><td></td><td></td><td></td><td>45</td><td>44</td><td>43</td><td>42</td><td>41</td><td></td><td></td><td></td><td></td><td></td><td></td><td></td><td></td><td>37</td><td>36</td><td></td><td></td><td></td><td></td><td>19</td><td>18</td><td></td></tr> <tr><td colspan="2">73</td><td></td><td></td><td></td><td>32</td><td></td><td></td><td>30</td><td></td><td>28</td><td>26</td><td></td><td></td><td></td><td></td><td></td><td></td><td></td><td></td><td></td><td></td><td></td><td></td><td></td><td></td><td></td><td>3</td><td></td><td></td></tr> <tr><td colspan="2">73</td><td></td><td></td><td></td><td></td><td>16</td><td>15</td><td></td><td></td><td>12</td><td>10</td><td></td><td></td><td></td><td></td><td></td><td></td><td></td><td></td><td></td><td></td><td></td><td></td><td></td><td></td><td></td><td></td><td></td><td></td></tr> </table>		71	70	69					64	63			60	59	58	57	56	55	54	53												52	51		49					45	44	43	42	41									37	36					19	18		73					32			30		28	26																3			73						16	15			12	10																			
	71	70	69					64	63			60	59	58	57	56	55	54	53																																																																																																													
52	51		49					45	44	43	42	41									37	36					19	18																																																																																																				
73					32			30		28	26																3																																																																																																					
73						16	15			12	10																																																																																																																					
AVAILABLE	NOT APPLICABLE	34566-5743	0	A	BLACK	<table border="1"> <tr><td></td><td>71</td><td>70</td><td>69</td><td></td><td>67</td><td></td><td></td><td>64</td><td>63</td><td></td><td></td><td>60</td><td>59</td><td></td><td>57</td><td>56</td><td>55</td><td>54</td><td>53</td><td></td><td></td><td></td><td></td><td></td><td></td><td></td><td></td><td></td><td></td><td></td></tr> <tr><td>52</td><td>51</td><td></td><td>49</td><td></td><td></td><td></td><td></td><td>45</td><td>44</td><td>43</td><td>42</td><td>41</td><td></td><td></td><td></td><td></td><td></td><td></td><td></td><td></td><td>37</td><td>36</td><td></td><td></td><td></td><td></td><td>19</td><td>18</td><td></td></tr> <tr><td colspan="2">73</td><td></td><td></td><td></td><td>32</td><td></td><td></td><td>30</td><td></td><td>28</td><td>26</td><td></td><td></td><td></td><td></td><td></td><td></td><td></td><td></td><td></td><td></td><td></td><td></td><td></td><td></td><td></td><td>3</td><td></td><td></td></tr> <tr><td colspan="2">73</td><td></td><td></td><td></td><td></td><td>16</td><td>15</td><td></td><td></td><td>12</td><td>10</td><td></td><td></td><td></td><td></td><td></td><td></td><td></td><td></td><td></td><td></td><td></td><td></td><td></td><td></td><td></td><td></td><td></td><td></td></tr> </table>		71	70	69		67			64	63			60	59		57	56	55	54	53												52	51		49					45	44	43	42	41									37	36					19	18		73					32			30		28	26																3			73						16	15			12	10																			
	71	70	69		67			64	63			60	59		57	56	55	54	53																																																																																																													
52	51		49					45	44	43	42	41									37	36					19	18																																																																																																				
73					32			30		28	26																3																																																																																																					
73						16	15			12	10																																																																																																																					
AVAILABLE	NOT APPLICABLE	34566-5753	0	A	BLACK	<table border="1"> <tr><td></td><td>71</td><td>70</td><td>69</td><td></td><td></td><td></td><td></td><td>64</td><td>63</td><td></td><td></td><td>60</td><td>59</td><td></td><td>57</td><td>56</td><td>55</td><td>54</td><td>53</td><td></td><td></td><td></td><td></td><td></td><td></td><td></td><td></td><td></td><td></td><td></td></tr> <tr><td>52</td><td>51</td><td></td><td>49</td><td></td><td></td><td></td><td></td><td>45</td><td>44</td><td>43</td><td>42</td><td>41</td><td></td><td></td><td></td><td></td><td></td><td></td><td></td><td></td><td>37</td><td>36</td><td></td><td></td><td></td><td></td><td>19</td><td>18</td><td></td></tr> <tr><td colspan="2">73</td><td></td><td></td><td></td><td>32</td><td></td><td></td><td>30</td><td></td><td>28</td><td>26</td><td></td><td></td><td></td><td>23</td><td>21</td><td></td><td></td><td></td><td></td><td></td><td></td><td></td><td></td><td></td><td></td><td>3</td><td></td><td></td></tr> <tr><td colspan="2">73</td><td></td><td></td><td></td><td></td><td>16</td><td>15</td><td></td><td></td><td>12</td><td>10</td><td></td><td>8</td><td></td><td>5</td><td>3</td><td></td><td></td><td></td><td></td><td></td><td></td><td></td><td></td><td></td><td></td><td></td><td></td><td></td></tr> </table>		71	70	69					64	63			60	59		57	56	55	54	53												52	51		49					45	44	43	42	41									37	36					19	18		73					32			30		28	26				23	21											3			73						16	15			12	10		8		5	3														
	71	70	69					64	63			60	59		57	56	55	54	53																																																																																																													
52	51		49					45	44	43	42	41									37	36					19	18																																																																																																				
73					32			30		28	26				23	21											3																																																																																																					
73						16	15			12	10		8		5	3																																																																																																																
AVAILABLE	NOT APPLICABLE	34566-5763	0	C	BLUE	<table border="1"> <tr><td>72</td><td></td><td>70</td><td></td><td>68</td><td></td><td>66</td><td></td><td></td><td>63</td><td>62</td><td></td><td></td><td>59</td><td>57</td><td></td><td></td><td></td><td></td><td></td><td></td><td></td><td></td><td></td><td></td><td></td><td></td><td></td><td></td><td></td><td>53</td></tr> <tr><td>52</td><td>51</td><td></td><td></td><td>48</td><td>47</td><td>46</td><td></td><td></td><td>44</td><td></td><td>42</td><td></td><td>40</td><td>39</td><td></td><td>37</td><td>36</td><td></td><td></td><td></td><td></td><td></td><td></td><td>34</td><td>33</td><td></td><td></td><td></td><td></td></tr> <tr><td colspan="2">73</td><td></td><td></td><td></td><td>32</td><td></td><td></td><td></td><td></td><td>27</td><td>26</td><td>25</td><td>24</td><td></td><td>22</td><td>21</td><td>20</td><td></td><td></td><td></td><td></td><td></td><td></td><td></td><td></td><td></td><td></td><td></td><td></td></tr> <tr><td colspan="2">73</td><td></td><td></td><td></td><td></td><td>15</td><td>14</td><td>13</td><td></td><td></td><td></td><td>10</td><td>9</td><td>8</td><td>6</td><td>5</td><td>4</td><td></td><td></td><td></td><td></td><td></td><td></td><td>2</td><td></td><td></td><td></td><td></td><td></td></tr> </table>	72		70		68		66			63	62			59	57																53	52	51			48	47	46			44		42		40	39		37	36							34	33					73					32					27	26	25	24		22	21	20													73						15	14	13				10	9	8	6	5	4							2						
72		70		68		66			63	62			59	57																53																																																																																																		
52	51			48	47	46			44		42		40	39		37	36							34	33																																																																																																							
73					32					27	26	25	24		22	21	20																																																																																																															
73						15	14	13				10	9	8	6	5	4							2																																																																																																								
AVAILABLE	NOT APPLICABLE	34566-5773	0	C	BLUE	<table border="1"> <tr><td>72</td><td></td><td>70</td><td></td><td>68</td><td></td><td></td><td></td><td></td><td>63</td><td>62</td><td></td><td></td><td>59</td><td>58</td><td>57</td><td></td><td></td><td></td><td></td><td></td><td></td><td></td><td></td><td></td><td></td><td></td><td></td><td></td><td></td><td>53</td></tr> <tr><td>52</td><td>51</td><td></td><td></td><td>48</td><td>47</td><td></td><td></td><td></td><td>44</td><td></td><td>42</td><td></td><td>40</td><td>39</td><td></td><td>37</td><td>36</td><td></td><td></td><td></td><td></td><td></td><td>34</td><td>33</td><td></td><td></td><td></td><td></td><td></td></tr> <tr><td colspan="2">73</td><td></td><td></td><td></td><td>32</td><td></td><td></td><td></td><td></td><td>27</td><td>26</td><td>25</td><td>24</td><td></td><td>22</td><td>21</td><td>20</td><td></td><td></td><td></td><td></td><td></td><td></td><td></td><td></td><td></td><td></td><td></td><td></td></tr> <tr><td colspan="2">73</td><td></td><td></td><td></td><td></td><td>15</td><td>14</td><td>13</td><td></td><td></td><td></td><td></td><td>8</td><td></td><td>6</td><td>5</td><td>4</td><td></td><td></td><td></td><td></td><td></td><td></td><td>2</td><td></td><td></td><td></td><td></td><td></td></tr> </table>	72		70		68					63	62			59	58	57															53	52	51			48	47				44		42		40	39		37	36						34	33						73					32					27	26	25	24		22	21	20													73						15	14	13					8		6	5	4							2						
72		70		68					63	62			59	58	57															53																																																																																																		
52	51			48	47				44		42		40	39		37	36						34	33																																																																																																								
73					32					27	26	25	24		22	21	20																																																																																																															
73						15	14	13					8		6	5	4							2																																																																																																								

PRE-RELEASE  
REFERENCE  
USE ONLY

THIS DRAWING CONTAINS INFORMATION THAT IS PROPRIETARY TO MOLEX ELECTRONIC TECHNOLOGIES, LLC AND SHOULD NOT BE USED WITHOUT WRITTEN PERMISSION

EC NO: 120083 DRWN: APODDATURI CHKD: REV APPR: VKOSHY	2017/07/13	GENERAL TOLERANCES (UNLESS SPECIFIED)		DIMENSION UNITS	SCALE	 <b>MX123 66/73/80CKT HRNS CONN ASSY</b>						
	2017/08/08	ANGULAR TOL ± °		MM	1:1		<b>PRODUCT CUSTOMER DRAWING</b>					
	4 PLACES ±		DRWN BY	DATE	SERIES			MATERIAL NUMBER	CUSTOMER			
	3 PLACES ±		CHKD BY	DATE		DOCUMENT NUMBER	DOC TYPE			DOC PART	SHEET NUMBER	
2 PLACES ±		SKRAJENDRANA    2011/02/14		DRAWING SIZE	THIRD ANGLE PROJECTION			GENERAL MARKET				
1 PLACE ±		MVANSLAMBROU    2011/02/14				D			SD-34566-001	PSD	000	68 OF 98
0 PLACES ±		APPR BY    DATE										

STATUS	GM PART #	MATERIAL #	WIRE DRESS OPTION	KEY OPTION	COLOR (TPA)	NUMBERS INDICATE CAVITIES OPEN FOR CIRCUITS F <sub>P</sub>																																																																																	
AVAILABLE	NOT APPLICABLE	34566-5783	0	C	BLUE	<table border="1"> <tr><td>72</td><td>70</td><td>68</td><td></td><td></td><td></td><td>63</td><td>62</td><td></td><td></td><td>59</td><td>57</td><td></td><td></td><td>53</td></tr> <tr><td>52</td><td>51</td><td>48</td><td>47</td><td></td><td></td><td>44</td><td>42</td><td></td><td></td><td>40</td><td>39</td><td></td><td></td><td>34</td><td>33</td></tr> <tr><td colspan="2">73</td><td></td><td>32</td><td>30</td><td></td><td>27</td><td>26</td><td>25</td><td>24</td><td></td><td>22</td><td>21</td><td>20</td><td></td><td></td></tr> <tr><td colspan="2"></td><td></td><td>15</td><td>14</td><td>13</td><td></td><td></td><td></td><td>8</td><td></td><td>6</td><td>5</td><td>4</td><td></td><td>2</td></tr> </table>	72	70	68				63	62			59	57			53	52	51	48	47			44	42			40	39			34	33	73			32	30		27	26	25	24		22	21	20						15	14	13				8		6	5	4		2																		
72	70	68				63	62			59	57			53																																																																									
52	51	48	47			44	42			40	39			34	33																																																																								
73			32	30		27	26	25	24		22	21	20																																																																										
			15	14	13				8		6	5	4		2																																																																								
G28 AVAILABLE	NOT APPLICABLE	34566-5793 SAME AS P/N 34566-4013	0	B	ST.GRAY	<table border="1"> <tr><td>72</td><td>70</td><td>68</td><td>66</td><td></td><td></td><td></td><td></td><td></td><td></td><td>60</td><td>59</td><td></td><td></td><td>55</td><td>54</td><td>53</td></tr> <tr><td>52</td><td>50</td><td>48</td><td>46</td><td></td><td></td><td></td><td></td><td></td><td></td><td>40</td><td>39</td><td></td><td></td><td>35</td><td>34</td><td>33</td></tr> <tr><td colspan="2">73</td><td></td><td>32</td><td>31</td><td>30</td><td>29</td><td>28</td><td>27</td><td>26</td><td>25</td><td>24</td><td></td><td></td><td></td><td></td><td>17</td></tr> <tr><td colspan="2"></td><td></td><td>16</td><td></td><td></td><td></td><td></td><td></td><td>10</td><td>8</td><td></td><td></td><td></td><td>2</td><td>1</td><td></td></tr> </table>	72	70	68	66							60	59			55	54	53	52	50	48	46							40	39			35	34	33	73			32	31	30	29	28	27	26	25	24					17				16						10	8				2	1														
72	70	68	66							60	59			55	54	53																																																																							
52	50	48	46							40	39			35	34	33																																																																							
73			32	31	30	29	28	27	26	25	24					17																																																																							
			16						10	8				2	1																																																																								
AVAILABLE	NOT APPLICABLE	34566-5813	0	B	ST.GRAY	<table border="1"> <tr><td>72</td><td>70</td><td>68</td><td>66</td><td></td><td></td><td></td><td></td><td></td><td></td><td>60</td><td>59</td><td></td><td></td><td>55</td><td>54</td><td>53</td></tr> <tr><td>52</td><td>50</td><td>48</td><td>46</td><td></td><td></td><td></td><td></td><td></td><td></td><td>40</td><td>39</td><td></td><td></td><td>35</td><td>34</td><td>33</td></tr> <tr><td colspan="2">73</td><td></td><td>32</td><td>31</td><td>30</td><td>29</td><td>28</td><td>27</td><td>26</td><td>25</td><td>24</td><td>23</td><td></td><td>19</td><td>18</td><td>17</td></tr> <tr><td colspan="2"></td><td></td><td>16</td><td></td><td></td><td></td><td></td><td></td><td>10</td><td>8</td><td>7</td><td></td><td></td><td>2</td><td>1</td><td></td></tr> </table>	72	70	68	66							60	59			55	54	53	52	50	48	46							40	39			35	34	33	73			32	31	30	29	28	27	26	25	24	23		19	18	17				16						10	8	7			2	1														
72	70	68	66							60	59			55	54	53																																																																							
52	50	48	46							40	39			35	34	33																																																																							
73			32	31	30	29	28	27	26	25	24	23		19	18	17																																																																							
			16						10	8	7			2	1																																																																								
AVAILABLE	NOT APPLICABLE	34566-5823	0	A	BLACK	<table border="1"> <tr><td>72</td><td>70</td><td></td><td></td><td></td><td></td><td></td><td></td><td></td><td></td><td>63</td><td></td><td></td><td></td><td></td><td></td><td></td></tr> <tr><td>52</td><td></td><td></td><td>49</td><td></td><td></td><td></td><td></td><td></td><td></td><td>43</td><td>41</td><td></td><td></td><td></td><td></td><td></td></tr> <tr><td colspan="2">73</td><td></td><td></td><td>31</td><td>30</td><td>28</td><td>27</td><td>26</td><td></td><td></td><td></td><td>23</td><td></td><td>20</td><td>19</td><td></td></tr> <tr><td colspan="2"></td><td></td><td></td><td>16</td><td>15</td><td>14</td><td></td><td></td><td>10</td><td></td><td></td><td>6</td><td></td><td></td><td></td><td></td></tr> </table>	72	70									63							52			49							43	41						73				31	30	28	27	26				23		20	19						16	15	14			10			6																	
72	70									63																																																																													
52			49							43	41																																																																												
73				31	30	28	27	26				23		20	19																																																																								
				16	15	14			10			6																																																																											
AVAILABLE	NOT APPLICABLE	34566-5833	0	A	BLACK	<table border="1"> <tr><td>72</td><td>70</td><td></td><td></td><td></td><td></td><td></td><td></td><td></td><td></td><td>63</td><td></td><td></td><td></td><td></td><td></td><td></td></tr> <tr><td>52</td><td></td><td></td><td>49</td><td></td><td></td><td></td><td></td><td></td><td></td><td>43</td><td>41</td><td></td><td></td><td></td><td></td><td></td></tr> <tr><td colspan="2">73</td><td></td><td></td><td>31</td><td>30</td><td>28</td><td>27</td><td>26</td><td></td><td></td><td></td><td>23</td><td></td><td>20</td><td>19</td><td></td></tr> <tr><td colspan="2"></td><td></td><td></td><td>16</td><td>15</td><td>14</td><td>12</td><td>10</td><td></td><td></td><td></td><td>6</td><td></td><td></td><td></td><td></td></tr> </table>	72	70									63							52			49							43	41						73				31	30	28	27	26				23		20	19						16	15	14	12	10				6																	
72	70									63																																																																													
52			49							43	41																																																																												
73				31	30	28	27	26				23		20	19																																																																								
				16	15	14	12	10				6																																																																											
AVAILABLE	NOT APPLICABLE	34566-5843	0	H	ST.GRAY	<table border="1"> <tr><td></td><td>79</td><td></td><td></td><td></td><td></td><td>74</td><td>73</td><td>72</td><td>71</td><td></td><td></td><td>68</td><td>67</td><td></td><td>65</td><td>64</td><td>63</td><td>62</td><td>61</td></tr> <tr><td></td><td>59</td><td></td><td>57</td><td></td><td></td><td>54</td><td>52</td><td></td><td></td><td></td><td></td><td></td><td></td><td></td><td></td><td></td><td></td><td>42</td><td>41</td></tr> <tr><td></td><td></td><td>38</td><td></td><td></td><td></td><td>34</td><td>33</td><td></td><td></td><td></td><td></td><td>29</td><td>27</td><td></td><td>25</td><td></td><td></td><td></td><td></td></tr> <tr><td></td><td></td><td></td><td></td><td></td><td></td><td>15</td><td>14</td><td></td><td></td><td>11</td><td>10</td><td>9</td><td>8</td><td>7</td><td></td><td></td><td></td><td></td><td></td></tr> </table>		79					74	73	72	71			68	67		65	64	63	62	61		59		57			54	52											42	41			38				34	33					29	27		25											15	14			11	10	9	8	7						
	79					74	73	72	71			68	67		65	64	63	62	61																																																																				
	59		57			54	52											42	41																																																																				
		38				34	33					29	27		25																																																																								
						15	14			11	10	9	8	7																																																																									
AVAILABLE	NOT APPLICABLE	34566-5853	0	H	ST.GRAY	<table border="1"> <tr><td></td><td>79</td><td></td><td></td><td></td><td></td><td>74</td><td>73</td><td>72</td><td>71</td><td></td><td></td><td>68</td><td>67</td><td></td><td>65</td><td>64</td><td>63</td><td>62</td><td>61</td></tr> <tr><td></td><td>59</td><td></td><td>57</td><td></td><td></td><td>54</td><td>52</td><td></td><td></td><td></td><td></td><td></td><td></td><td></td><td></td><td></td><td></td><td>43</td><td>42</td><td>41</td></tr> <tr><td></td><td></td><td>38</td><td></td><td></td><td></td><td></td><td>33</td><td></td><td></td><td></td><td></td><td>29</td><td>27</td><td></td><td>25</td><td></td><td></td><td></td><td></td></tr> <tr><td></td><td></td><td></td><td></td><td></td><td></td><td>15</td><td>14</td><td></td><td></td><td>11</td><td>10</td><td>9</td><td>8</td><td>7</td><td></td><td></td><td></td><td></td><td></td></tr> </table>		79					74	73	72	71			68	67		65	64	63	62	61		59		57			54	52											43	42	41			38					33					29	27		25											15	14			11	10	9	8	7					
	79					74	73	72	71			68	67		65	64	63	62	61																																																																				
	59		57			54	52											43	42	41																																																																			
		38					33					29	27		25																																																																								
						15	14			11	10	9	8	7																																																																									
AVAILABLE	NOT APPLICABLE	34566-5863	0	C	BLUE	<table border="1"> <tr><td>72</td><td>70</td><td></td><td></td><td></td><td>66</td><td></td><td></td><td>63</td><td>62</td><td></td><td></td><td>59</td><td>57</td><td>56</td><td>55</td><td></td><td></td><td>53</td></tr> <tr><td>52</td><td>51</td><td></td><td></td><td></td><td>46</td><td></td><td>44</td><td></td><td>42</td><td></td><td></td><td>40</td><td>39</td><td></td><td>37</td><td>36</td><td></td><td>34</td><td>33</td></tr> <tr><td colspan="2">73</td><td></td><td></td><td>32</td><td></td><td>30</td><td></td><td></td><td>26</td><td>25</td><td></td><td></td><td>22</td><td>21</td><td></td><td>19</td><td>18</td><td></td><td></td></tr> <tr><td colspan="2"></td><td></td><td></td><td>15</td><td>14</td><td></td><td></td><td></td><td>10</td><td>9</td><td></td><td></td><td>6</td><td></td><td></td><td>3</td><td></td><td></td><td></td></tr> </table>	72	70				66			63	62			59	57	56	55			53	52	51				46		44		42			40	39		37	36		34	33	73				32		30			26	25			22	21		19	18							15	14				10	9			6			3					
72	70				66			63	62			59	57	56	55			53																																																																					
52	51				46		44		42			40	39		37	36		34	33																																																																				
73				32		30			26	25			22	21		19	18																																																																						
				15	14				10	9			6			3																																																																							
AVAILABLE	NOT APPLICABLE	34566-5873	0	B	ST.GRAY	<table border="1"> <tr><td>72</td><td></td><td></td><td></td><td></td><td></td><td></td><td></td><td></td><td>62</td><td>61</td><td></td><td></td><td></td><td></td><td></td><td></td><td></td><td></td><td></td></tr> <tr><td>52</td><td></td><td></td><td>48</td><td>47</td><td>46</td><td></td><td>44</td><td>43</td><td></td><td>41</td><td>40</td><td></td><td></td><td></td><td></td><td></td><td>20</td><td>19</td><td>18</td></tr> <tr><td colspan="2">73</td><td></td><td></td><td></td><td>30</td><td></td><td></td><td></td><td></td><td></td><td></td><td></td><td></td><td></td><td></td><td></td><td>4</td><td></td><td></td></tr> <tr><td colspan="2"></td><td></td><td>16</td><td>15</td><td>14</td><td></td><td></td><td></td><td></td><td></td><td></td><td></td><td></td><td></td><td></td><td></td><td></td><td></td><td></td></tr> </table>	72									62	61										52			48	47	46		44	43		41	40						20	19	18	73					30												4						16	15	14															
72									62	61																																																																													
52			48	47	46		44	43		41	40						20	19	18																																																																				
73					30												4																																																																						
			16	15	14																																																																																		

PRE-RELEASE  
REFERENCE  
USE ONLY

THIS DRAWING CONTAINS INFORMATION THAT IS PROPRIETARY TO MOLEX ELECTRONIC TECHNOLOGIES, LLC AND SHOULD NOT BE USED WITHOUT WRITTEN PERMISSION

EC NO: 120083 DRWN: APODDATURI CHK'D: REV APPR: VKOSHY	2017/07/13 2017/08/08	GENERAL TOLERANCES (UNLESS SPECIFIED) DIMENSION UNITS: MM SCALE: 1:1 DRWN BY: SKRAJENDRANA DATE: 2011/02/14 CHKD BY: MVANSLAMBROU DATE: 2011/02/14 APPR BY:	<b>molex</b> MX123 66/73/80CKT HRNS CONN ASSY PRODUCT CUSTOMER DRAWING
	ANGULAR TOL ± ° 4 PLACES ± 3 PLACES ± 2 PLACES ± 1 PLACE ± 0 PLACES ±	DRAFT WHERE APPLICABLE MUST REMAIN WITHIN DIMENSIONS DIMENSION UNITS: D THIRD ANGLE PROJECTION	SERIES: 34566 MATERIAL NUMBER: SEE BOM TABLE CUSTOMER: GENERAL MARKET
	DOCUMENT NUMBER: SD-34566-001 DOC TYPE: PSD DOC PART: 000 SHEET NUMBER: 69 OF 98		
	G55		

STATUS	GM PART #	MATERIAL #	WIRE DRESS OPTION	KEY OPTION	COLOR (TPA)	NUMBERS INDICATE CAVITIES OPEN FOR CIRCUITS																																																																																								
						F <sub>P</sub>																																																																																								
AVAILABLE	NOT APPLICABLE	34566-5883	0	B	ST.GRAY	<table border="1"> <tr><td>72</td><td></td><td></td><td></td><td></td><td></td><td></td><td></td><td></td><td></td><td></td><td></td><td>62</td><td>61</td><td></td><td></td><td></td><td></td><td></td><td></td><td></td></tr> <tr><td>52</td><td></td><td></td><td>48</td><td>47</td><td>46</td><td></td><td></td><td></td><td>43</td><td></td><td>41</td><td>40</td><td></td><td></td><td></td><td></td><td></td><td>20</td><td>19</td><td>18</td></tr> <tr><td></td><td></td><td>73</td><td></td><td></td><td>30</td><td></td><td></td><td></td><td></td><td></td><td></td><td></td><td></td><td></td><td></td><td></td><td></td><td>4</td><td></td><td></td></tr> <tr><td></td><td></td><td></td><td>16</td><td>15</td><td>14</td><td></td><td></td><td></td><td></td><td></td><td></td><td></td><td></td><td></td><td></td><td></td><td></td><td></td><td></td><td></td></tr> </table>	72												62	61								52			48	47	46				43		41	40						20	19	18			73			30													4						16	15	14																			
72												62	61																																																																																	
52			48	47	46				43		41	40						20	19	18																																																																										
		73			30													4																																																																												
			16	15	14																																																																																									
AVAILABLE	NOT APPLICABLE	34566-5893	0	C	BLUE	<table border="1"> <tr><td></td><td></td><td></td><td>69</td><td></td><td>67</td><td>66</td><td></td><td></td><td></td><td></td><td>62</td><td></td><td>60</td><td></td><td></td><td></td><td>57</td><td>55</td><td>54</td><td></td></tr> <tr><td>52</td><td>51</td><td>50</td><td></td><td>48</td><td>46</td><td>45</td><td>44</td><td></td><td></td><td>42</td><td></td><td></td><td></td><td></td><td></td><td></td><td>37</td><td>35</td><td>34</td><td>33</td></tr> <tr><td></td><td></td><td>73</td><td></td><td>32</td><td></td><td></td><td></td><td></td><td>28</td><td>27</td><td>26</td><td></td><td></td><td></td><td></td><td></td><td></td><td>19</td><td>18</td><td></td></tr> <tr><td></td><td></td><td></td><td>16</td><td>15</td><td>14</td><td>13</td><td>12</td><td>11</td><td>10</td><td>9</td><td></td><td></td><td></td><td></td><td></td><td></td><td></td><td></td><td></td><td></td></tr> </table>				69		67	66					62		60				57	55	54		52	51	50		48	46	45	44			42							37	35	34	33			73		32					28	27	26							19	18					16	15	14	13	12	11	10	9														
			69		67	66					62		60				57	55	54																																																																											
52	51	50		48	46	45	44			42							37	35	34	33																																																																										
		73		32					28	27	26							19	18																																																																											
			16	15	14	13	12	11	10	9																																																																																				
AVAILABLE	NOT APPLICABLE	34566-5913	0	C	BLUE	<table border="1"> <tr><td></td><td></td><td></td><td>69</td><td></td><td>67</td><td>66</td><td></td><td>64</td><td></td><td></td><td>61</td><td>60</td><td></td><td></td><td></td><td>57</td><td></td><td>54</td><td></td></tr> <tr><td>52</td><td>51</td><td>50</td><td>49</td><td>48</td><td>46</td><td>45</td><td>44</td><td></td><td></td><td>41</td><td></td><td></td><td></td><td></td><td>37</td><td></td><td></td><td>34</td><td>33</td></tr> <tr><td></td><td></td><td>73</td><td></td><td>32</td><td></td><td></td><td></td><td></td><td>28</td><td>27</td><td>25</td><td></td><td></td><td></td><td></td><td></td><td></td><td>18</td><td></td></tr> <tr><td></td><td></td><td></td><td>16</td><td>15</td><td>14</td><td>13</td><td>12</td><td>11</td><td>10</td><td>9</td><td></td><td></td><td></td><td></td><td></td><td></td><td></td><td></td><td></td></tr> </table>				69		67	66		64			61	60				57		54		52	51	50	49	48	46	45	44			41					37			34	33			73		32					28	27	25							18					16	15	14	13	12	11	10	9																	
			69		67	66		64			61	60				57		54																																																																												
52	51	50	49	48	46	45	44			41					37			34	33																																																																											
		73		32					28	27	25							18																																																																												
			16	15	14	13	12	11	10	9																																																																																				
AVAILABLE	NOT APPLICABLE	34566-5933	0	C	BLUE	<table border="1"> <tr><td>72</td><td></td><td>70</td><td></td><td>68</td><td></td><td>66</td><td></td><td></td><td>63</td><td>62</td><td></td><td></td><td>59</td><td></td><td></td><td>57</td><td>56</td><td>55</td><td></td><td>53</td></tr> <tr><td>52</td><td>51</td><td></td><td></td><td>48</td><td>47</td><td>46</td><td></td><td>44</td><td></td><td>42</td><td></td><td>40</td><td>39</td><td></td><td></td><td></td><td></td><td></td><td>34</td><td>33</td></tr> <tr><td></td><td></td><td>73</td><td></td><td>32</td><td></td><td>30</td><td></td><td></td><td></td><td>26</td><td>25</td><td>23</td><td>22</td><td>21</td><td></td><td></td><td></td><td></td><td></td><td></td></tr> <tr><td></td><td></td><td></td><td></td><td>15</td><td>14</td><td></td><td></td><td></td><td></td><td>10</td><td>9</td><td>7</td><td>6</td><td>5</td><td>4</td><td></td><td></td><td></td><td></td><td></td></tr> </table>	72		70		68		66			63	62			59			57	56	55		53	52	51			48	47	46		44		42		40	39						34	33			73		32		30				26	25	23	22	21											15	14					10	9	7	6	5	4									
72		70		68		66			63	62			59			57	56	55		53																																																																										
52	51			48	47	46		44		42		40	39						34	33																																																																										
		73		32		30				26	25	23	22	21																																																																																
				15	14					10	9	7	6	5	4																																																																															
AVAILABLE	NOT APPLICABLE	34566-5943	0	C	BLUE	<table border="1"> <tr><td>72</td><td></td><td>70</td><td></td><td>68</td><td>67</td><td>66</td><td></td><td></td><td>63</td><td>62</td><td></td><td></td><td>59</td><td></td><td></td><td>57</td><td>56</td><td>55</td><td></td><td>53</td></tr> <tr><td>52</td><td>51</td><td></td><td>49</td><td>48</td><td>47</td><td>46</td><td></td><td>44</td><td></td><td>42</td><td></td><td>40</td><td>39</td><td></td><td></td><td></td><td></td><td></td><td>34</td><td>33</td></tr> <tr><td></td><td></td><td>73</td><td></td><td>32</td><td></td><td>30</td><td></td><td></td><td>27</td><td>26</td><td>25</td><td></td><td></td><td>22</td><td>21</td><td>20</td><td></td><td></td><td></td><td></td></tr> <tr><td></td><td></td><td></td><td></td><td>15</td><td>14</td><td>13</td><td></td><td></td><td></td><td>10</td><td>9</td><td></td><td></td><td>6</td><td>5</td><td>4</td><td></td><td></td><td></td><td></td></tr> </table>	72		70		68	67	66			63	62			59			57	56	55		53	52	51		49	48	47	46		44		42		40	39						34	33			73		32		30			27	26	25			22	21	20									15	14	13				10	9			6	5	4								
72		70		68	67	66			63	62			59			57	56	55		53																																																																										
52	51		49	48	47	46		44		42		40	39						34	33																																																																										
		73		32		30			27	26	25			22	21	20																																																																														
				15	14	13				10	9			6	5	4																																																																														
AVAILABLE	NOT APPLICABLE	34566-5953	0	A	BLACK	<table border="1"> <tr><td></td><td>71</td><td>70</td><td>69</td><td></td><td></td><td></td><td></td><td></td><td>65</td><td>64</td><td>63</td><td>62</td><td>61</td><td>60</td><td></td><td>58</td><td>57</td><td>56</td><td>55</td><td>54</td><td>53</td></tr> <tr><td>52</td><td>51</td><td></td><td></td><td>49</td><td>48</td><td>47</td><td></td><td></td><td>45</td><td>44</td><td>43</td><td>42</td><td>41</td><td></td><td></td><td></td><td>37</td><td>36</td><td></td><td>34</td><td></td></tr> <tr><td></td><td></td><td>73</td><td></td><td>32</td><td></td><td>30</td><td>29</td><td>28</td><td>27</td><td>26</td><td></td><td></td><td>24</td><td></td><td></td><td></td><td></td><td></td><td>19</td><td>18</td><td></td></tr> <tr><td></td><td></td><td></td><td></td><td>16</td><td>15</td><td></td><td>13</td><td>12</td><td>11</td><td>10</td><td></td><td></td><td></td><td></td><td></td><td></td><td></td><td></td><td>3</td><td></td><td></td></tr> </table>		71	70	69						65	64	63	62	61	60		58	57	56	55	54	53	52	51			49	48	47			45	44	43	42	41				37	36		34				73		32		30	29	28	27	26			24						19	18						16	15		13	12	11	10									3		
	71	70	69						65	64	63	62	61	60		58	57	56	55	54	53																																																																									
52	51			49	48	47			45	44	43	42	41				37	36		34																																																																										
		73		32		30	29	28	27	26			24						19	18																																																																										
				16	15		13	12	11	10									3																																																																											
AVAILABLE	NOT APPLICABLE	34566-5963	0	B	ST.GRAY	<table border="1"> <tr><td>72</td><td>71</td><td>70</td><td></td><td>68</td><td>67</td><td>66</td><td></td><td></td><td></td><td>62</td><td>61</td><td>60</td><td>59</td><td>58</td><td>57</td><td>56</td><td>55</td><td>54</td><td>53</td><td></td></tr> <tr><td>52</td><td>51</td><td>50</td><td></td><td>48</td><td>47</td><td>46</td><td></td><td></td><td></td><td>42</td><td>41</td><td>40</td><td>39</td><td>38</td><td>37</td><td>36</td><td>35</td><td>34</td><td>33</td><td></td></tr> <tr><td></td><td></td><td>73</td><td></td><td>32</td><td>31</td><td>30</td><td>29</td><td>28</td><td>27</td><td>26</td><td>25</td><td>24</td><td></td><td></td><td></td><td></td><td></td><td></td><td>18</td><td></td></tr> <tr><td></td><td></td><td></td><td></td><td>16</td><td>15</td><td>14</td><td>13</td><td></td><td></td><td>10</td><td>9</td><td>8</td><td></td><td></td><td></td><td></td><td></td><td></td><td>3</td><td></td></tr> </table>	72	71	70		68	67	66				62	61	60	59	58	57	56	55	54	53		52	51	50		48	47	46				42	41	40	39	38	37	36	35	34	33				73		32	31	30	29	28	27	26	25	24							18						16	15	14	13			10	9	8							3					
72	71	70		68	67	66				62	61	60	59	58	57	56	55	54	53																																																																											
52	51	50		48	47	46				42	41	40	39	38	37	36	35	34	33																																																																											
		73		32	31	30	29	28	27	26	25	24							18																																																																											
				16	15	14	13			10	9	8							3																																																																											
AVAILABLE	NOT APPLICABLE	34566-5973	0	C	BLUE	<table border="1"> <tr><td>72</td><td></td><td>70</td><td></td><td>68</td><td>67</td><td>66</td><td></td><td></td><td>63</td><td>62</td><td></td><td></td><td>59</td><td></td><td></td><td>57</td><td>56</td><td>55</td><td></td><td>53</td></tr> <tr><td>52</td><td>51</td><td></td><td></td><td>48</td><td>47</td><td>46</td><td></td><td>44</td><td></td><td>42</td><td></td><td>40</td><td>39</td><td></td><td></td><td></td><td></td><td></td><td>34</td><td>33</td></tr> <tr><td></td><td></td><td>73</td><td></td><td>32</td><td></td><td>30</td><td></td><td></td><td>27</td><td>26</td><td>25</td><td></td><td></td><td>22</td><td>21</td><td></td><td></td><td>19</td><td>18</td><td></td></tr> <tr><td></td><td></td><td></td><td></td><td>15</td><td>14</td><td></td><td></td><td></td><td></td><td>10</td><td>9</td><td></td><td></td><td>6</td><td>5</td><td>4</td><td>3</td><td></td><td></td><td></td></tr> </table>	72		70		68	67	66			63	62			59			57	56	55		53	52	51			48	47	46		44		42		40	39						34	33			73		32		30			27	26	25			22	21			19	18						15	14					10	9			6	5	4	3							
72		70		68	67	66			63	62			59			57	56	55		53																																																																										
52	51			48	47	46		44		42		40	39						34	33																																																																										
		73		32		30			27	26	25			22	21			19	18																																																																											
				15	14					10	9			6	5	4	3																																																																													
AVAILABLE	NOT APPLICABLE	34566-5983	0	C	BLUE	<table border="1"> <tr><td></td><td></td><td></td><td>69</td><td></td><td>67</td><td>66</td><td></td><td>64</td><td></td><td></td><td>62</td><td></td><td>60</td><td></td><td></td><td></td><td>57</td><td>55</td><td>54</td><td></td></tr> <tr><td>52</td><td>51</td><td>50</td><td></td><td>48</td><td></td><td>46</td><td>45</td><td>44</td><td></td><td>42</td><td></td><td></td><td></td><td></td><td></td><td>37</td><td></td><td>35</td><td>34</td><td>33</td></tr> <tr><td></td><td></td><td>73</td><td></td><td>32</td><td></td><td></td><td></td><td>28</td><td>27</td><td>26</td><td></td><td></td><td></td><td></td><td></td><td></td><td></td><td>19</td><td>18</td><td></td></tr> <tr><td></td><td></td><td></td><td></td><td>16</td><td>15</td><td>14</td><td>13</td><td>12</td><td>11</td><td>10</td><td>9</td><td></td><td></td><td></td><td></td><td></td><td></td><td></td><td></td><td></td></tr> </table>				69		67	66		64			62		60				57	55	54		52	51	50		48		46	45	44		42						37		35	34	33			73		32				28	27	26								19	18						16	15	14	13	12	11	10	9													
			69		67	66		64			62		60				57	55	54																																																																											
52	51	50		48		46	45	44		42						37		35	34	33																																																																										
		73		32				28	27	26								19	18																																																																											
				16	15	14	13	12	11	10	9																																																																																			

PRE-RELEASE  
REFERENCE  
USE ONLY

THIS DRAWING CONTAINS INFORMATION THAT IS PROPRIETARY TO MOLEX ELECTRONIC TECHNOLOGIES, LLC AND SHOULD NOT BE USED WITHOUT WRITTEN PERMISSION


EC NO: 120083 DRWN: APODDATURI CHKD: REV APPR: VKOSHY	2017/07/13	2017/08/08	GENERAL TOLERANCES (UNLESS SPECIFIED)	DIMENSION UNITS	SCALE	 <b>MX123</b> <b>66/73/80CKT HRNS CONN ASSY</b> <b>PRODUCT CUSTOMER DRAWING</b>	
			ANGULAR TOL ±	MM	1:1		
			4 PLACES ±	DRWN BY	DATE		
			3 PLACES ±	SKRAJENDRANA	2011/02/14		
			2 PLACES ±	CHKD BY	DATE		
			1 PLACE ±	MVANSLAMBROU	2011/02/14		
			0 PLACES ±	APPR BY	DATE		
			DRAFT WHERE APPLICABLE MUST REMAIN WITHIN DIMENSIONS	DRAWING SIZE	THIRD ANGLE PROJECTION		
G55			D				
			SERIES	MATERIAL NUMBER	CUSTOMER		
			34566	SEE BOM TABLE	GENERAL MARKET		
			DOCUMENT NUMBER	DOC TYPE	DOC PART	SHEET NUMBER	
			SD-34566-001	PSD	000	70 OF 98	



STATUS	GM PART #	MATERIAL #	WIRE DRESS OPTION	KEY OPTION	COLOR (TPA)	NUMBERS INDICATE CAVITIES OPEN FOR CIRCUITS F <sub>p</sub>																																																																																				
AVAILABLE	NOT APPLICABLE	34566-5993	0	A	BLACK	<table border="1"> <tr><td></td><td>71</td><td>70</td><td>69</td><td></td><td>67</td><td>66</td><td>65</td><td></td><td>63</td><td>62</td><td>61</td><td>60</td><td></td><td>58</td><td>57</td><td>56</td><td>55</td><td>54</td><td>53</td></tr> <tr><td>52</td><td>51</td><td>50</td><td>49</td><td></td><td>47</td><td></td><td>45</td><td>44</td><td>43</td><td>42</td><td>41</td><td>40</td><td>39</td><td></td><td>37</td><td>36</td><td>35</td><td>34</td><td></td></tr> <tr><td colspan="3"></td><td>73</td><td></td><td>32</td><td>31</td><td>30</td><td>29</td><td>28</td><td>27</td><td>26</td><td>25</td><td>24</td><td>23</td><td></td><td>21</td><td>20</td><td>19</td><td>18</td><td>17</td></tr> <tr><td colspan="3"></td><td></td><td></td><td>16</td><td>15</td><td>14</td><td>13</td><td>12</td><td>11</td><td>10</td><td>9</td><td>8</td><td></td><td>6</td><td>5</td><td></td><td>3</td><td></td><td>1</td></tr> </table>		71	70	69		67	66	65		63	62	61	60		58	57	56	55	54	53	52	51	50	49		47		45	44	43	42	41	40	39		37	36	35	34					73		32	31	30	29	28	27	26	25	24	23		21	20	19	18	17						16	15	14	13	12	11	10	9	8		6	5		3		1		
	71	70	69		67	66	65		63	62	61	60		58	57	56	55	54	53																																																																							
52	51	50	49		47		45	44	43	42	41	40	39		37	36	35	34																																																																								
			73		32	31	30	29	28	27	26	25	24	23		21	20	19	18	17																																																																						
					16	15	14	13	12	11	10	9	8		6	5		3		1																																																																						
AVAILABLE	NOT APPLICABLE	34566-6013	0	B	ST.GRAY	<table border="1"> <tr><td></td><td></td><td></td><td>69</td><td></td><td>67</td><td></td><td>65</td><td></td><td></td><td></td><td>61</td><td>60</td><td>59</td><td>58</td><td>57</td><td></td><td></td><td></td><td>54</td><td>53</td></tr> <tr><td></td><td>51</td><td>50</td><td>49</td><td>48</td><td>47</td><td>46</td><td>45</td><td></td><td>43</td><td></td><td></td><td>40</td><td>39</td><td></td><td>37</td><td></td><td></td><td></td><td>34</td><td>33</td></tr> <tr><td colspan="3"></td><td>73</td><td></td><td>32</td><td>31</td><td>30</td><td>29</td><td></td><td></td><td>26</td><td></td><td>24</td><td>23</td><td>22</td><td>21</td><td>20</td><td></td><td>18</td><td></td></tr> <tr><td colspan="3"></td><td></td><td></td><td>16</td><td>15</td><td>14</td><td>13</td><td></td><td></td><td>10</td><td>9</td><td>8</td><td>7</td><td>6</td><td>5</td><td>4</td><td></td><td></td><td></td></tr> </table>				69		67		65				61	60	59	58	57				54	53		51	50	49	48	47	46	45		43			40	39		37				34	33				73		32	31	30	29			26		24	23	22	21	20		18							16	15	14	13			10	9	8	7	6	5	4			
			69		67		65				61	60	59	58	57				54	53																																																																						
	51	50	49	48	47	46	45		43			40	39		37				34	33																																																																						
			73		32	31	30	29			26		24	23	22	21	20		18																																																																							
					16	15	14	13			10	9	8	7	6	5	4																																																																									
AVAILABLE	NOT APPLICABLE	34566-6023	0	A	BLACK	<table border="1"> <tr><td>72</td><td>71</td><td>70</td><td>69</td><td>68</td><td>67</td><td></td><td></td><td></td><td></td><td></td><td></td><td>60</td><td>59</td><td>58</td><td>57</td><td>56</td><td></td><td></td><td>54</td><td>53</td></tr> <tr><td>52</td><td>51</td><td>50</td><td>49</td><td>48</td><td>47</td><td></td><td>45</td><td>44</td><td>43</td><td></td><td></td><td>40</td><td>39</td><td>38</td><td>37</td><td>36</td><td>35</td><td>34</td><td>33</td><td></td></tr> <tr><td colspan="3"></td><td>73</td><td></td><td>32</td><td>31</td><td>30</td><td>29</td><td>28</td><td></td><td></td><td>24</td><td>23</td><td>22</td><td>21</td><td>20</td><td>19</td><td></td><td>17</td><td></td></tr> <tr><td colspan="3"></td><td></td><td></td><td>16</td><td>15</td><td></td><td>13</td><td>12</td><td>11</td><td>10</td><td></td><td></td><td>7</td><td>6</td><td>5</td><td>4</td><td>3</td><td>2</td><td>1</td></tr> </table>	72	71	70	69	68	67							60	59	58	57	56			54	53	52	51	50	49	48	47		45	44	43			40	39	38	37	36	35	34	33					73		32	31	30	29	28			24	23	22	21	20	19		17							16	15		13	12	11	10			7	6	5	4	3	2	1
72	71	70	69	68	67							60	59	58	57	56			54	53																																																																						
52	51	50	49	48	47		45	44	43			40	39	38	37	36	35	34	33																																																																							
			73		32	31	30	29	28			24	23	22	21	20	19		17																																																																							
					16	15		13	12	11	10			7	6	5	4	3	2	1																																																																						
AVAILABLE	NOT APPLICABLE	34566-6033	0	A	BLACK	<table border="1"> <tr><td></td><td></td><td>70</td><td>69</td><td></td><td></td><td></td><td></td><td></td><td></td><td>63</td><td>62</td><td>61</td><td></td><td></td><td>58</td><td>57</td><td>56</td><td>55</td><td>54</td><td>53</td></tr> <tr><td>52</td><td>51</td><td></td><td>49</td><td></td><td></td><td></td><td></td><td>44</td><td>43</td><td>42</td><td>41</td><td></td><td></td><td></td><td>37</td><td>36</td><td></td><td></td><td>34</td><td></td></tr> <tr><td colspan="3"></td><td>73</td><td></td><td>32</td><td></td><td></td><td>29</td><td>28</td><td>27</td><td>26</td><td></td><td></td><td></td><td>21</td><td></td><td>19</td><td>18</td><td></td><td></td></tr> <tr><td colspan="3"></td><td></td><td></td><td>16</td><td>15</td><td></td><td>13</td><td>12</td><td>11</td><td>10</td><td></td><td>8</td><td></td><td>5</td><td>3</td><td></td><td></td><td></td><td></td></tr> </table>			70	69							63	62	61			58	57	56	55	54	53	52	51		49					44	43	42	41				37	36			34					73		32			29	28	27	26				21		19	18								16	15		13	12	11	10		8		5	3				
		70	69							63	62	61			58	57	56	55	54	53																																																																						
52	51		49					44	43	42	41				37	36			34																																																																							
			73		32			29	28	27	26				21		19	18																																																																								
					16	15		13	12	11	10		8		5	3																																																																										
AVAILABLE	NOT APPLICABLE	34566-6043	0	B	ST.GRAY	<table border="1"> <tr><td></td><td></td><td></td><td></td><td>68</td><td>67</td><td>66</td><td>65</td><td>64</td><td></td><td></td><td></td><td></td><td></td><td></td><td>58</td><td></td><td></td><td>55</td><td></td><td></td></tr> <tr><td></td><td></td><td></td><td></td><td></td><td></td><td>46</td><td>45</td><td></td><td></td><td></td><td></td><td></td><td></td><td></td><td>38</td><td></td><td></td><td>35</td><td></td><td></td></tr> <tr><td colspan="3"></td><td>73</td><td></td><td>32</td><td></td><td>30</td><td>29</td><td>28</td><td>27</td><td></td><td></td><td></td><td></td><td>22</td><td></td><td></td><td>19</td><td>17</td><td></td></tr> <tr><td colspan="3"></td><td></td><td></td><td>16</td><td></td><td></td><td></td><td></td><td></td><td>10</td><td></td><td></td><td></td><td></td><td></td><td></td><td></td><td></td><td>1</td></tr> </table>					68	67	66	65	64							58			55									46	45								38			35						73		32		30	29	28	27					22			19	17							16						10									1
				68	67	66	65	64							58			55																																																																								
						46	45								38			35																																																																								
			73		32		30	29	28	27					22			19	17																																																																							
					16						10									1																																																																						
AVAILABLE	NOT APPLICABLE	34566-6053	0	B	ST.GRAY	<table border="1"> <tr><td>72</td><td></td><td></td><td></td><td></td><td></td><td></td><td></td><td></td><td></td><td></td><td>62</td><td>61</td><td></td><td></td><td></td><td></td><td></td><td></td><td></td><td></td></tr> <tr><td>52</td><td></td><td></td><td></td><td>48</td><td>47</td><td>46</td><td></td><td></td><td>43</td><td></td><td>41</td><td>40</td><td></td><td></td><td></td><td></td><td></td><td></td><td></td><td></td></tr> <tr><td colspan="3"></td><td>73</td><td></td><td></td><td></td><td>30</td><td></td><td></td><td></td><td></td><td></td><td></td><td></td><td></td><td>20</td><td>19</td><td>18</td><td></td><td></td></tr> <tr><td colspan="3"></td><td></td><td></td><td>16</td><td>15</td><td>14</td><td></td><td></td><td></td><td></td><td></td><td></td><td></td><td></td><td>4</td><td></td><td>2</td><td></td><td></td></tr> </table>	72											62	61									52				48	47	46			43		41	40												73				30									20	19	18								16	15	14									4		2		
72											62	61																																																																														
52				48	47	46			43		41	40																																																																														
			73				30									20	19	18																																																																								
					16	15	14									4		2																																																																								
AVAILABLE	NOT APPLICABLE	34566-6063	0	C	BLUE	<table border="1"> <tr><td></td><td></td><td></td><td>69</td><td></td><td>67</td><td>66</td><td></td><td>64</td><td></td><td>62</td><td></td><td>60</td><td></td><td></td><td>57</td><td></td><td>55</td><td>54</td><td></td><td></td></tr> <tr><td>52</td><td>51</td><td>50</td><td></td><td>48</td><td></td><td>46</td><td>45</td><td>44</td><td></td><td>42</td><td></td><td></td><td></td><td></td><td>37</td><td></td><td>35</td><td>34</td><td>33</td><td></td></tr> <tr><td colspan="3"></td><td>73</td><td></td><td>32</td><td></td><td></td><td>28</td><td>27</td><td>26</td><td></td><td></td><td></td><td></td><td></td><td></td><td>19</td><td>18</td><td>17</td><td></td></tr> <tr><td colspan="3"></td><td></td><td></td><td>16</td><td>15</td><td>14</td><td>13</td><td>12</td><td>11</td><td>10</td><td>9</td><td></td><td></td><td></td><td></td><td></td><td></td><td></td><td></td></tr> </table>				69		67	66		64		62		60			57		55	54			52	51	50		48		46	45	44		42					37		35	34	33					73		32			28	27	26							19	18	17							16	15	14	13	12	11	10	9								
			69		67	66		64		62		60			57		55	54																																																																								
52	51	50		48		46	45	44		42					37		35	34	33																																																																							
			73		32			28	27	26							19	18	17																																																																							
					16	15	14	13	12	11	10	9																																																																														
AVAILABLE	NOT APPLICABLE	34566-6073	0	C	BLUE	<table border="1"> <tr><td></td><td></td><td></td><td>69</td><td></td><td>67</td><td>66</td><td></td><td>64</td><td></td><td>61</td><td>60</td><td></td><td></td><td></td><td>57</td><td></td><td></td><td></td><td>54</td><td></td></tr> <tr><td>52</td><td>51</td><td>50</td><td>49</td><td>48</td><td></td><td>46</td><td>45</td><td>44</td><td></td><td>41</td><td></td><td></td><td></td><td></td><td>37</td><td></td><td></td><td></td><td>34</td><td>33</td></tr> <tr><td colspan="3"></td><td>73</td><td></td><td>32</td><td></td><td></td><td>28</td><td>27</td><td></td><td>25</td><td></td><td></td><td></td><td></td><td></td><td></td><td></td><td>18</td><td>17</td></tr> <tr><td colspan="3"></td><td></td><td></td><td>16</td><td>15</td><td>14</td><td>13</td><td>12</td><td>11</td><td>10</td><td>9</td><td></td><td></td><td></td><td></td><td></td><td></td><td></td><td></td></tr> </table>				69		67	66		64		61	60				57				54		52	51	50	49	48		46	45	44		41					37				34	33				73		32			28	27		25								18	17						16	15	14	13	12	11	10	9								
			69		67	66		64		61	60				57				54																																																																							
52	51	50	49	48		46	45	44		41					37				34	33																																																																						
			73		32			28	27		25								18	17																																																																						
					16	15	14	13	12	11	10	9																																																																														
AVAILABLE	NOT APPLICABLE	34566-6083	0	C	BLUE	<table border="1"> <tr><td>72</td><td></td><td>70</td><td></td><td>68</td><td>67</td><td>66</td><td></td><td></td><td>63</td><td>62</td><td></td><td></td><td>59</td><td></td><td>57</td><td></td><td></td><td></td><td></td><td>53</td></tr> <tr><td>52</td><td>51</td><td></td><td></td><td>48</td><td>47</td><td>46</td><td></td><td>44</td><td></td><td>42</td><td></td><td>40</td><td>39</td><td></td><td>37</td><td>36</td><td></td><td></td><td>34</td><td>33</td></tr> <tr><td colspan="3"></td><td>73</td><td></td><td>32</td><td></td><td>30</td><td></td><td></td><td>26</td><td>25</td><td></td><td></td><td></td><td>22</td><td>21</td><td></td><td></td><td></td><td></td></tr> <tr><td colspan="3"></td><td></td><td></td><td></td><td></td><td>15</td><td>14</td><td></td><td></td><td></td><td>10</td><td>9</td><td></td><td>6</td><td>5</td><td>4</td><td></td><td></td><td>2</td></tr> </table>	72		70		68	67	66			63	62			59		57					53	52	51			48	47	46		44		42		40	39		37	36			34	33				73		32		30			26	25				22	21												15	14				10	9		6	5	4			2
72		70		68	67	66			63	62			59		57					53																																																																						
52	51			48	47	46		44		42		40	39		37	36			34	33																																																																						
			73		32		30			26	25				22	21																																																																										
							15	14				10	9		6	5	4			2																																																																						

PRE-RELEASE  
REFERENCE  
USE ONLY

THIS DRAWING CONTAINS INFORMATION THAT IS PROPRIETARY TO MOLEX ELECTRONIC TECHNOLOGIES, LLC AND SHOULD NOT BE USED WITHOUT WRITTEN PERMISSION

EC NO: 120093 DRWN: APODDATURI CHKD: REV APPR: VKOSHY	2017/07/13	2017/08/08	GENERAL TOLERANCES (UNLESS SPECIFIED)	DIMENSION UNITS <b>MM</b>	SCALE <b>1:1</b>	  <b>MX123</b> <b>66/73/80CKT HRNS CONN ASSY</b>  <b>PRODUCT CUSTOMER DRAWING</b>
	ANGULAR TOL ± °		4 PLACES ±	DRWN BY <b>SKRAJENDRANA</b>	DATE <b>2011/02/14</b>	
	3 PLACES ±		2 PLACES ±	CHKD BY <b>MVANSLAMBROU</b>	DATE <b>2011/02/14</b>	
	2 PLACES ±		1 PLACE ±	APPR BY	DATE	
	1 PLACE ±		0 PLACES ±			
<b>G55</b>			DRAFT WHERE APPLICABLE MUST REMAIN WITHIN DIMENSIONS	DRAWING SIZE <b>D</b>	THIRD ANGLE PROJECTION	SERIES <b>34566</b> MATERIAL NUMBER <b>SEE BOM TABLE</b> CUSTOMER <b>GENERAL MARKET</b>
DOCUMENT NUMBER <b>SD-34566-001</b>		DOC TYPE <b>PSD</b>	DOC PART <b>000</b>	SHEET NUMBER <b>71 OF 98</b>		


STATUS	GM PART #	MATERIAL #	WIRE DRESS OPTION	KEY OPTION	COLOR (TPA)	NUMBERS INDICATE CAVITIES OPEN FOR CIRCUITS Fp																																																																																		
AVAILABLE	NOT APPLICABLE	34566-6093	0	B	ST.GRAY	<table border="1"><tr><td>72</td><td></td><td>70</td><td></td><td></td><td>67</td><td></td><td></td><td></td><td>63</td><td>62</td><td>61</td><td>60</td><td>59</td><td></td><td></td><td></td><td></td><td></td><td></td></tr><tr><td>52</td><td></td><td></td><td></td><td></td><td>46</td><td></td><td></td><td></td><td>43</td><td>41</td><td>40</td><td></td><td></td><td></td><td></td><td>20</td><td>19</td><td>18</td><td></td></tr><tr><td colspan="2">73</td><td></td><td>16</td><td>14</td><td></td><td></td><td>11</td><td></td><td></td><td></td><td></td><td></td><td></td><td></td><td>4</td><td></td><td></td><td></td><td></td></tr></table>	72		70			67				63	62	61	60	59							52					46				43	41	40					20	19	18		73			16	14			11								4																										
72		70			67				63	62	61	60	59																																																																											
52					46				43	41	40					20	19	18																																																																						
73			16	14			11								4																																																																									
AVAILABLE	NOT APPLICABLE	34566-6113	0	A	BLACK	<table border="1"><tr><td>72</td><td>71</td><td>70</td><td>69</td><td>68</td><td></td><td>66</td><td>65</td><td>64</td><td>63</td><td>62</td><td>61</td><td>60</td><td></td><td>58</td><td>57</td><td>56</td><td>55</td><td>54</td><td>53</td></tr><tr><td>52</td><td>51</td><td>50</td><td>49</td><td>48</td><td></td><td>46</td><td>45</td><td>44</td><td>43</td><td>42</td><td>41</td><td>40</td><td>39</td><td>38</td><td>37</td><td>36</td><td></td><td>34</td><td>33</td></tr><tr><td colspan="4">73</td><td>32</td><td>31</td><td>30</td><td>29</td><td>28</td><td>27</td><td>26</td><td>25</td><td></td><td>23</td><td>22</td><td>21</td><td>20</td><td>19</td><td>18</td><td></td></tr><tr><td colspan="4">73</td><td>16</td><td>15</td><td>14</td><td>13</td><td>12</td><td>11</td><td>10</td><td>9</td><td>8</td><td>7</td><td>6</td><td>5</td><td>4</td><td>3</td><td>2</td><td></td><td></td></tr></table>	72	71	70	69	68		66	65	64	63	62	61	60		58	57	56	55	54	53	52	51	50	49	48		46	45	44	43	42	41	40	39	38	37	36		34	33	73				32	31	30	29	28	27	26	25		23	22	21	20	19	18		73				16	15	14	13	12	11	10	9	8	7	6	5	4	3	2			
72	71	70	69	68		66	65	64	63	62	61	60		58	57	56	55	54	53																																																																					
52	51	50	49	48		46	45	44	43	42	41	40	39	38	37	36		34	33																																																																					
73				32	31	30	29	28	27	26	25		23	22	21	20	19	18																																																																						
73				16	15	14	13	12	11	10	9	8	7	6	5	4	3	2																																																																						
AVAILABLE	NOT APPLICABLE	34566-6123	0	C	BLUE	<table border="1"><tr><td></td><td></td><td></td><td>69</td><td></td><td>67</td><td>66</td><td></td><td>64</td><td></td><td>62</td><td></td><td>60</td><td></td><td></td><td>57</td><td></td><td></td><td></td><td>54</td></tr><tr><td>52</td><td>51</td><td>50</td><td></td><td>48</td><td>47</td><td>46</td><td>45</td><td>44</td><td></td><td>42</td><td></td><td></td><td></td><td></td><td>37</td><td></td><td></td><td>34</td><td>33</td></tr><tr><td colspan="4">73</td><td></td><td></td><td></td><td></td><td>28</td><td>27</td><td>26</td><td></td><td></td><td></td><td></td><td></td><td></td><td></td><td></td><td></td></tr><tr><td colspan="4">73</td><td>16</td><td>15</td><td>14</td><td>13</td><td>12</td><td>11</td><td>10</td><td>9</td><td>8</td><td>7</td><td></td><td></td><td></td><td></td><td></td><td></td></tr></table>				69		67	66		64		62		60			57				54	52	51	50		48	47	46	45	44		42					37			34	33	73								28	27	26										73				16	15	14	13	12	11	10	9	8	7								
			69		67	66		64		62		60			57				54																																																																					
52	51	50		48	47	46	45	44		42					37			34	33																																																																					
73								28	27	26																																																																														
73				16	15	14	13	12	11	10	9	8	7																																																																											
AVAILABLE	NOT APPLICABLE	34566-6133	9	C	BLUE	<table border="1"><tr><td>72</td><td></td><td>70</td><td></td><td>68</td><td>67</td><td></td><td></td><td></td><td>63</td><td>62</td><td></td><td></td><td>59</td><td></td><td>57</td><td></td><td></td><td></td><td>53</td></tr><tr><td>52</td><td>51</td><td></td><td></td><td>48</td><td>47</td><td></td><td></td><td>44</td><td></td><td>42</td><td></td><td>40</td><td>39</td><td>38</td><td>37</td><td>36</td><td></td><td>34</td><td>33</td></tr><tr><td colspan="4">73</td><td>32</td><td></td><td>30</td><td></td><td></td><td></td><td>26</td><td>25</td><td>24</td><td></td><td>22</td><td>21</td><td></td><td></td><td></td><td></td></tr><tr><td colspan="4">73</td><td></td><td>15</td><td>14</td><td></td><td></td><td></td><td></td><td>9</td><td>8</td><td></td><td>6</td><td>5</td><td>4</td><td></td><td>2</td><td></td></tr></table>	72		70		68	67				63	62			59		57				53	52	51			48	47			44		42		40	39	38	37	36		34	33	73				32		30				26	25	24		22	21					73					15	14					9	8		6	5	4		2			
72		70		68	67				63	62			59		57				53																																																																					
52	51			48	47			44		42		40	39	38	37	36		34	33																																																																					
73				32		30				26	25	24		22	21																																																																									
73					15	14					9	8		6	5	4		2																																																																						
AVAILABLE	NOT APPLICABLE	34566-6173	9	B	ST.GRAY	<table border="1"><tr><td></td><td></td><td></td><td></td><td></td><td>67</td><td>66</td><td></td><td></td><td></td><td></td><td></td><td></td><td></td><td></td><td></td><td></td><td></td><td></td><td></td></tr><tr><td></td><td></td><td></td><td></td><td>48</td><td>47</td><td></td><td></td><td></td><td></td><td></td><td>41</td><td></td><td></td><td></td><td></td><td></td><td></td><td></td><td></td></tr><tr><td colspan="4">73</td><td>32</td><td>31</td><td>30</td><td>29</td><td></td><td>27</td><td>26</td><td>25</td><td>24</td><td></td><td>22</td><td>21</td><td></td><td>19</td><td>18</td><td>17</td></tr><tr><td colspan="4">73</td><td>16</td><td>15</td><td>14</td><td>13</td><td></td><td>11</td><td>10</td><td>9</td><td>8</td><td>7</td><td>6</td><td>5</td><td>4</td><td>3</td><td></td><td>1</td><td></td></tr></table>						67	66																		48	47						41									73				32	31	30	29		27	26	25	24		22	21		19	18	17	73				16	15	14	13		11	10	9	8	7	6	5	4	3		1		
					67	66																																																																																		
				48	47						41																																																																													
73				32	31	30	29		27	26	25	24		22	21		19	18	17																																																																					
73				16	15	14	13		11	10	9	8	7	6	5	4	3		1																																																																					
AVAILABLE	NOT APPLICABLE	34566-6183	9	A	BLACK	<table border="1"><tr><td></td><td></td><td></td><td></td><td></td><td></td><td>66</td><td></td><td></td><td></td><td></td><td></td><td></td><td></td><td></td><td></td><td></td><td></td><td></td><td></td></tr><tr><td></td><td></td><td></td><td></td><td>48</td><td>47</td><td></td><td></td><td></td><td></td><td></td><td>41</td><td></td><td></td><td></td><td></td><td></td><td></td><td></td><td></td></tr><tr><td colspan="4">73</td><td>32</td><td>31</td><td>30</td><td>29</td><td></td><td>27</td><td>26</td><td>25</td><td>24</td><td></td><td>22</td><td>21</td><td></td><td>19</td><td>18</td><td>17</td></tr><tr><td colspan="4">73</td><td>16</td><td>15</td><td>14</td><td>13</td><td></td><td>11</td><td>10</td><td>9</td><td>8</td><td>7</td><td>6</td><td>5</td><td>4</td><td>3</td><td></td><td>1</td><td></td></tr></table>							66																		48	47						41									73				32	31	30	29		27	26	25	24		22	21		19	18	17	73				16	15	14	13		11	10	9	8	7	6	5	4	3		1		
						66																																																																																		
				48	47						41																																																																													
73				32	31	30	29		27	26	25	24		22	21		19	18	17																																																																					
73				16	15	14	13		11	10	9	8	7	6	5	4	3		1																																																																					
AVAILABLE	NOT APPLICABLE	34566-6193	9	B	ST.GRAY	<table border="1"><tr><td>72</td><td>71</td><td>70</td><td>69</td><td>68</td><td>67</td><td>66</td><td>65</td><td>64</td><td></td><td>62</td><td>61</td><td>60</td><td>59</td><td>58</td><td>57</td><td>56</td><td>55</td><td>54</td><td></td></tr><tr><td>52</td><td>51</td><td>50</td><td>49</td><td></td><td></td><td>46</td><td></td><td>44</td><td></td><td></td><td>41</td><td>40</td><td></td><td>38</td><td>37</td><td>36</td><td></td><td></td><td></td></tr><tr><td colspan="4">73</td><td>32</td><td>31</td><td>30</td><td>29</td><td>28</td><td>27</td><td>26</td><td>25</td><td>24</td><td></td><td></td><td>21</td><td>20</td><td></td><td>18</td><td>17</td><td></td></tr><tr><td colspan="4">73</td><td>16</td><td>15</td><td>14</td><td>13</td><td>12</td><td></td><td>10</td><td>9</td><td>8</td><td>7</td><td>6</td><td>5</td><td>4</td><td>3</td><td>2</td><td></td><td></td></tr></table>	72	71	70	69	68	67	66	65	64		62	61	60	59	58	57	56	55	54		52	51	50	49			46		44			41	40		38	37	36				73				32	31	30	29	28	27	26	25	24			21	20		18	17		73				16	15	14	13	12		10	9	8	7	6	5	4	3	2		
72	71	70	69	68	67	66	65	64		62	61	60	59	58	57	56	55	54																																																																						
52	51	50	49			46		44			41	40		38	37	36																																																																								
73				32	31	30	29	28	27	26	25	24			21	20		18	17																																																																					
73				16	15	14	13	12		10	9	8	7	6	5	4	3	2																																																																						
AVAILABLE	NOT APPLICABLE	34566-6213	9	A	BLACK	<table border="1"><tr><td></td><td></td><td></td><td></td><td></td><td>67</td><td>66</td><td></td><td></td><td></td><td></td><td></td><td></td><td></td><td></td><td></td><td></td><td></td><td></td><td></td></tr><tr><td></td><td></td><td></td><td></td><td>48</td><td>47</td><td></td><td></td><td></td><td></td><td></td><td>41</td><td></td><td></td><td></td><td></td><td></td><td></td><td></td><td></td></tr><tr><td colspan="4">73</td><td>32</td><td>31</td><td>30</td><td>29</td><td></td><td>27</td><td>26</td><td>25</td><td>24</td><td></td><td>22</td><td>21</td><td></td><td>19</td><td>18</td><td>17</td></tr><tr><td colspan="4">73</td><td>16</td><td>15</td><td>14</td><td>13</td><td></td><td>11</td><td>10</td><td>9</td><td>8</td><td>7</td><td>6</td><td>5</td><td>4</td><td>3</td><td></td><td>1</td><td></td></tr></table>						67	66																		48	47						41									73				32	31	30	29		27	26	25	24		22	21		19	18	17	73				16	15	14	13		11	10	9	8	7	6	5	4	3		1		
					67	66																																																																																		
				48	47						41																																																																													
73				32	31	30	29		27	26	25	24		22	21		19	18	17																																																																					
73				16	15	14	13		11	10	9	8	7	6	5	4	3		1																																																																					
AVAILABLE	NOT APPLICABLE	34566-6223	9	C	BLUE	<table border="1"><tr><td>72</td><td></td><td>70</td><td></td><td>68</td><td></td><td>66</td><td></td><td></td><td>63</td><td>62</td><td></td><td></td><td>59</td><td></td><td>57</td><td></td><td></td><td></td><td>53</td></tr><tr><td>52</td><td>51</td><td></td><td></td><td>48</td><td>47</td><td>46</td><td></td><td>44</td><td></td><td></td><td></td><td>40</td><td>39</td><td></td><td></td><td></td><td></td><td>34</td><td>33</td></tr><tr><td colspan="4">73</td><td>32</td><td></td><td>30</td><td></td><td></td><td>27</td><td>26</td><td>25</td><td></td><td></td><td>22</td><td>21</td><td>20</td><td></td><td></td><td></td><td></td></tr><tr><td colspan="4">73</td><td></td><td>15</td><td>14</td><td>13</td><td></td><td></td><td>10</td><td>9</td><td></td><td></td><td>6</td><td>5</td><td>4</td><td></td><td></td><td></td><td></td></tr></table>	72		70		68		66			63	62			59		57				53	52	51			48	47	46		44				40	39					34	33	73				32		30			27	26	25			22	21	20					73					15	14	13			10	9			6	5	4				
72		70		68		66			63	62			59		57				53																																																																					
52	51			48	47	46		44				40	39					34	33																																																																					
73				32		30			27	26	25			22	21	20																																																																								
73					15	14	13			10	9			6	5	4																																																																								

PRE-RELEASE REFERENCE USE ONLY

THIS DRAWING CONTAINS INFORMATION THAT IS PROPRIETARY TO MOLEX ELECTRONIC TECHNOLOGIES, LLC AND SHOULD NOT BE USED WITHOUT WRITTEN PERMISSION			
EC NO: 120093	DRWN: APODDATURI	CHKD:	REV APPR: VKOSHY
2017/07/13	2017/08/08		
GENERAL TOLERANCES (UNLESS SPECIFIED)		DIMENSION UNITS	SCALE
ANGULAR TOL ± °		MM	1:1
4 PLACES ±		DRWN BY	DATE
3 PLACES ±		SKRAJENDRANA	2011/02/14
2 PLACES ±		CHKD BY	DATE
1 PLACE ±		MVANSLAMBROU	2011/02/14
0 PLACES ±		APPR BY	DATE
DRAFT WHERE APPLICABLE MUST REMAIN WITHIN DIMENSIONS		DRAWING SIZE	THIRD ANGLE PROJECTION
		D	☉ ☎
SERIES	MATERIAL NUMBER	CUSTOMER	
34566	SEE BOM TABLE	GENERAL MARKET	
DOCUMENT NUMBER	DOC TYPE	DOC PART	SHEET NUMBER
SD-34566-001	PSD	000	72 OF 98

STATUS	GM PART #	MATERIAL #	WIRE DRESS OPTION	KEY OPTION ▽	COLOR (TPA) ▽	NUMBERS INDICATE CAVITIES OPEN FOR CIRCUITS F <sub>p</sub>																																																																																				
AVAILABLE	NOT APPLICABLE	34566-6233	9	B	ST.GRAY	<table border="1"> <tr><td>72</td><td>70</td><td>68</td><td>66</td><td></td><td></td><td></td><td></td><td>60</td><td>59</td><td></td><td></td><td></td><td>55</td><td>54</td><td>53</td></tr> <tr><td>52</td><td>50</td><td>48</td><td>46</td><td></td><td></td><td></td><td></td><td>40</td><td>39</td><td></td><td></td><td></td><td>35</td><td>34</td><td>33</td></tr> <tr><td colspan="2">73</td><td>32</td><td>31</td><td>30</td><td>29</td><td>28</td><td>27</td><td>26</td><td>25</td><td>24</td><td></td><td></td><td></td><td></td><td>17</td></tr> <tr><td colspan="2"></td><td>16</td><td></td><td></td><td></td><td></td><td></td><td>10</td><td>8</td><td></td><td></td><td></td><td></td><td>2</td><td>1</td></tr> </table>	72	70	68	66					60	59				55	54	53	52	50	48	46					40	39				35	34	33	73		32	31	30	29	28	27	26	25	24					17			16						10	8					2	1																				
72	70	68	66					60	59				55	54	53																																																																											
52	50	48	46					40	39				35	34	33																																																																											
73		32	31	30	29	28	27	26	25	24					17																																																																											
		16						10	8					2	1																																																																											
AVAILABLE	NOT APPLICABLE	34566-6243	9	A	BLACK	<table border="1"> <tr><td></td><td>71</td><td>70</td><td>69</td><td></td><td></td><td></td><td></td><td>64</td><td>63</td><td></td><td></td><td>60</td><td>59</td><td>58</td><td>57</td><td>56</td><td>55</td><td>54</td><td>53</td></tr> <tr><td>52</td><td>51</td><td>50</td><td>49</td><td></td><td></td><td></td><td></td><td>45</td><td>44</td><td>43</td><td>42</td><td>41</td><td></td><td>39</td><td></td><td>37</td><td>36</td><td></td><td>34</td></tr> <tr><td colspan="2">73</td><td>32</td><td></td><td>30</td><td></td><td>28</td><td></td><td>26</td><td></td><td></td><td></td><td></td><td></td><td></td><td></td><td></td><td>19</td><td>18</td><td></td></tr> <tr><td colspan="2"></td><td>16</td><td>15</td><td>14</td><td></td><td>12</td><td></td><td>10</td><td></td><td></td><td></td><td></td><td></td><td></td><td></td><td></td><td>3</td><td></td><td></td></tr> </table>		71	70	69					64	63			60	59	58	57	56	55	54	53	52	51	50	49					45	44	43	42	41		39		37	36		34	73		32		30		28		26									19	18				16	15	14		12		10									3						
	71	70	69					64	63			60	59	58	57	56	55	54	53																																																																							
52	51	50	49					45	44	43	42	41		39		37	36		34																																																																							
73		32		30		28		26									19	18																																																																								
		16	15	14		12		10									3																																																																									
AVAILABLE	NOT APPLICABLE	34566-6253	9	C	BLUE	<table border="1"> <tr><td>72</td><td>70</td><td>68</td><td>67</td><td>66</td><td></td><td></td><td></td><td>63</td><td>62</td><td></td><td></td><td>59</td><td>57</td><td></td><td></td><td></td><td></td><td></td><td>53</td></tr> <tr><td>52</td><td>51</td><td></td><td>49</td><td>48</td><td>47</td><td>46</td><td></td><td>44</td><td></td><td></td><td></td><td>40</td><td>39</td><td></td><td>37</td><td>36</td><td></td><td>34</td><td>33</td></tr> <tr><td colspan="2">73</td><td>32</td><td></td><td>30</td><td></td><td></td><td></td><td>27</td><td>26</td><td>25</td><td>24</td><td></td><td></td><td>22</td><td>21</td><td>20</td><td></td><td></td><td></td></tr> <tr><td colspan="2"></td><td></td><td>15</td><td>14</td><td>13</td><td></td><td></td><td>10</td><td>9</td><td>8</td><td></td><td></td><td>6</td><td>5</td><td>4</td><td></td><td></td><td></td><td>2</td></tr> </table>	72	70	68	67	66				63	62			59	57						53	52	51		49	48	47	46		44				40	39		37	36		34	33	73		32		30				27	26	25	24			22	21	20							15	14	13			10	9	8			6	5	4				2				
72	70	68	67	66				63	62			59	57						53																																																																							
52	51		49	48	47	46		44				40	39		37	36		34	33																																																																							
73		32		30				27	26	25	24			22	21	20																																																																										
			15	14	13			10	9	8			6	5	4				2																																																																							
AVAILABLE	NOT APPLICABLE	34566-6263	9	B	ST.GRAY	<table border="1"> <tr><td>72</td><td>71</td><td>70</td><td></td><td>68</td><td>67</td><td>66</td><td></td><td></td><td></td><td>62</td><td>61</td><td>60</td><td>59</td><td>58</td><td>57</td><td>56</td><td>55</td><td>54</td><td>53</td></tr> <tr><td>52</td><td>51</td><td>50</td><td></td><td>48</td><td>47</td><td>46</td><td></td><td></td><td></td><td>42</td><td>41</td><td>40</td><td>39</td><td>38</td><td>37</td><td>36</td><td>35</td><td>34</td><td>33</td></tr> <tr><td colspan="2">73</td><td>32</td><td>31</td><td>30</td><td>29</td><td>28</td><td>27</td><td>26</td><td>25</td><td>24</td><td></td><td></td><td></td><td></td><td></td><td></td><td></td><td>18</td><td>17</td></tr> <tr><td colspan="2"></td><td>16</td><td>15</td><td>14</td><td>13</td><td></td><td></td><td>10</td><td></td><td>8</td><td></td><td></td><td></td><td></td><td></td><td></td><td>3</td><td>2</td><td>1</td></tr> </table>	72	71	70		68	67	66				62	61	60	59	58	57	56	55	54	53	52	51	50		48	47	46				42	41	40	39	38	37	36	35	34	33	73		32	31	30	29	28	27	26	25	24								18	17			16	15	14	13			10		8							3	2	1				
72	71	70		68	67	66				62	61	60	59	58	57	56	55	54	53																																																																							
52	51	50		48	47	46				42	41	40	39	38	37	36	35	34	33																																																																							
73		32	31	30	29	28	27	26	25	24								18	17																																																																							
		16	15	14	13			10		8							3	2	1																																																																							
AVAILABLE	NOT APPLICABLE	34566-6273	9	B	ST.GRAY	<table border="1"> <tr><td></td><td>71</td><td>70</td><td>69</td><td></td><td></td><td></td><td></td><td>65</td><td>64</td><td>63</td><td>62</td><td>61</td><td>60</td><td></td><td>58</td><td>57</td><td>56</td><td>55</td><td>54</td><td>53</td></tr> <tr><td>52</td><td>51</td><td>50</td><td>49</td><td>48</td><td>47</td><td></td><td></td><td>45</td><td>44</td><td>43</td><td>42</td><td>41</td><td></td><td>39</td><td></td><td>37</td><td>36</td><td></td><td>34</td><td></td></tr> <tr><td colspan="2">73</td><td>32</td><td></td><td>30</td><td>29</td><td>28</td><td>27</td><td>26</td><td></td><td>24</td><td></td><td></td><td></td><td></td><td></td><td></td><td></td><td>19</td><td>18</td><td></td></tr> <tr><td colspan="2"></td><td>16</td><td>15</td><td>14</td><td>13</td><td>12</td><td>11</td><td>10</td><td></td><td></td><td></td><td></td><td></td><td></td><td></td><td></td><td></td><td>3</td><td></td><td></td></tr> </table>		71	70	69					65	64	63	62	61	60		58	57	56	55	54	53	52	51	50	49	48	47			45	44	43	42	41		39		37	36		34		73		32		30	29	28	27	26		24								19	18				16	15	14	13	12	11	10										3		
	71	70	69					65	64	63	62	61	60		58	57	56	55	54	53																																																																						
52	51	50	49	48	47			45	44	43	42	41		39		37	36		34																																																																							
73		32		30	29	28	27	26		24								19	18																																																																							
		16	15	14	13	12	11	10										3																																																																								
AVAILABLE	NOT APPLICABLE	34566-6283	9	C	BLUE	<table border="1"> <tr><td>72</td><td>70</td><td>68</td><td>67</td><td>66</td><td></td><td></td><td></td><td>63</td><td>62</td><td></td><td></td><td>59</td><td>57</td><td></td><td></td><td></td><td></td><td></td><td>53</td></tr> <tr><td>52</td><td>51</td><td></td><td>49</td><td>48</td><td>47</td><td>46</td><td></td><td>44</td><td></td><td></td><td></td><td>40</td><td>39</td><td></td><td></td><td></td><td></td><td>34</td><td>33</td></tr> <tr><td colspan="2">73</td><td>32</td><td></td><td>30</td><td></td><td></td><td></td><td>27</td><td>26</td><td>25</td><td></td><td></td><td></td><td>22</td><td>21</td><td></td><td></td><td></td><td></td></tr> <tr><td colspan="2"></td><td></td><td>15</td><td>14</td><td></td><td></td><td></td><td>10</td><td>9</td><td></td><td></td><td></td><td>6</td><td>5</td><td>4</td><td></td><td></td><td></td><td></td></tr> </table>	72	70	68	67	66				63	62			59	57						53	52	51		49	48	47	46		44				40	39					34	33	73		32		30				27	26	25				22	21								15	14				10	9				6	5	4								
72	70	68	67	66				63	62			59	57						53																																																																							
52	51		49	48	47	46		44				40	39					34	33																																																																							
73		32		30				27	26	25				22	21																																																																											
			15	14				10	9				6	5	4																																																																											
AVAILABLE	NOT APPLICABLE	34566-6293	9	B	ST.GRAY	<table border="1"> <tr><td>72</td><td>71</td><td>70</td><td></td><td>68</td><td>67</td><td>66</td><td></td><td></td><td></td><td>62</td><td>61</td><td>60</td><td>59</td><td>58</td><td>57</td><td>56</td><td>55</td><td>54</td><td>53</td></tr> <tr><td>52</td><td>51</td><td>50</td><td></td><td>48</td><td>47</td><td>46</td><td></td><td></td><td></td><td>42</td><td>41</td><td>40</td><td>39</td><td>38</td><td>37</td><td>36</td><td>35</td><td>34</td><td>33</td></tr> <tr><td colspan="2">73</td><td>32</td><td>31</td><td>30</td><td>29</td><td>28</td><td>27</td><td>26</td><td>25</td><td>24</td><td></td><td></td><td></td><td></td><td></td><td></td><td></td><td></td><td>17</td></tr> <tr><td colspan="2"></td><td>16</td><td>15</td><td>14</td><td>13</td><td></td><td></td><td>10</td><td></td><td>8</td><td></td><td></td><td></td><td></td><td></td><td></td><td></td><td>2</td><td>1</td></tr> </table>	72	71	70		68	67	66				62	61	60	59	58	57	56	55	54	53	52	51	50		48	47	46				42	41	40	39	38	37	36	35	34	33	73		32	31	30	29	28	27	26	25	24									17			16	15	14	13			10		8								2	1				
72	71	70		68	67	66				62	61	60	59	58	57	56	55	54	53																																																																							
52	51	50		48	47	46				42	41	40	39	38	37	36	35	34	33																																																																							
73		32	31	30	29	28	27	26	25	24									17																																																																							
		16	15	14	13			10		8								2	1																																																																							
AVAILABLE	NOT APPLICABLE	34566-6313	9	B	ST.GRAY	<table border="1"> <tr><td></td><td></td><td>70</td><td>69</td><td></td><td></td><td></td><td></td><td></td><td></td><td>63</td><td>62</td><td>61</td><td>60</td><td></td><td>58</td><td>57</td><td>56</td><td>55</td><td>54</td><td>53</td></tr> <tr><td>52</td><td>51</td><td>50</td><td>49</td><td></td><td></td><td></td><td></td><td></td><td></td><td>44</td><td>43</td><td>42</td><td>41</td><td></td><td>39</td><td></td><td>37</td><td>36</td><td></td><td>34</td></tr> <tr><td colspan="2">73</td><td>32</td><td></td><td></td><td></td><td></td><td>29</td><td>28</td><td>27</td><td>26</td><td></td><td></td><td></td><td></td><td></td><td></td><td></td><td></td><td>19</td><td>18</td></tr> <tr><td colspan="2"></td><td>16</td><td>15</td><td>14</td><td>13</td><td>12</td><td>11</td><td>10</td><td></td><td></td><td></td><td></td><td></td><td></td><td></td><td></td><td></td><td></td><td>3</td><td></td></tr> </table>			70	69							63	62	61	60		58	57	56	55	54	53	52	51	50	49							44	43	42	41		39		37	36		34	73		32					29	28	27	26									19	18			16	15	14	13	12	11	10											3	
		70	69							63	62	61	60		58	57	56	55	54	53																																																																						
52	51	50	49							44	43	42	41		39		37	36		34																																																																						
73		32					29	28	27	26									19	18																																																																						
		16	15	14	13	12	11	10											3																																																																							
AVAILABLE	NOT APPLICABLE	34566-6323	9	B	ST.GRAY	<table border="1"> <tr><td></td><td>71</td><td>70</td><td>69</td><td></td><td></td><td></td><td></td><td>64</td><td>63</td><td></td><td></td><td>60</td><td>59</td><td>58</td><td>57</td><td>56</td><td>55</td><td>54</td><td>53</td></tr> <tr><td>52</td><td>51</td><td>50</td><td>49</td><td></td><td></td><td></td><td></td><td>45</td><td>44</td><td>43</td><td>42</td><td>41</td><td></td><td>39</td><td></td><td>37</td><td>36</td><td></td><td>34</td></tr> <tr><td colspan="2">73</td><td>32</td><td></td><td>30</td><td></td><td></td><td></td><td>28</td><td></td><td>26</td><td></td><td></td><td></td><td></td><td></td><td></td><td></td><td>19</td><td>18</td></tr> <tr><td colspan="2"></td><td>16</td><td>15</td><td>14</td><td></td><td></td><td></td><td>12</td><td></td><td>10</td><td></td><td></td><td></td><td></td><td></td><td></td><td></td><td>3</td><td></td></tr> </table>		71	70	69					64	63			60	59	58	57	56	55	54	53	52	51	50	49					45	44	43	42	41		39		37	36		34	73		32		30				28		26								19	18			16	15	14				12		10								3					
	71	70	69					64	63			60	59	58	57	56	55	54	53																																																																							
52	51	50	49					45	44	43	42	41		39		37	36		34																																																																							
73		32		30				28		26								19	18																																																																							
		16	15	14				12		10								3																																																																								

PRE-RELEASE  
REFERENCE  
USE ONLY

THIS DRAWING CONTAINS INFORMATION THAT IS PROPRIETARY TO MOLEX ELECTRONIC TECHNOLOGIES, LLC AND SHOULD NOT BE USED WITHOUT WRITTEN PERMISSION												
EC NO: 120093 DRWN: APODDATURI CHKD: REV APPR: VKOSHY	2017/07/13	GENERAL TOLERANCES (UNLESS SPECIFIED)		DIMENSION UNITS	SCALE	 MX123 66/73/80CKT HRNS CONN ASSY PRODUCT CUSTOMER DRAWING						
	2017/08/08	ANGULAR TOL ± °		MM	1:1							
		4 PLACES ±	DRWN BY	DATE	SKRAJENDRANA 2011/02/14							
		3 PLACES ±	CHKD BY	DATE	MVANSLAMBROU 2011/02/14							
		2 PLACES ±	APPR BY	DATE								
		1 PLACE ±										
	0 PLACES ±	DRAFT WHERE APPLICABLE MUST REMAIN WITHIN DIMENSIONS		DRAWING SIZE	THIRD ANGLE PROJECTION	SERIES: 34566 MATERIAL NUMBER: SEE BOM TABLE CUSTOMER: GENERAL MARKET						
G55		D			DOCUMENT NUMBER: SD-34566-001		DOC TYPE: PSD	DOC PART: 000	SHEET NUMBER: 73 OF 98			

STATUS	GM PART #	MATERIAL #	WIRE DRESS OPTION	KEY OPTION ▽ E	COLOR (TPA) ▽ E	NUMBERS INDICATE CAVITIES OPEN FOR CIRCUITS F <sub>P</sub>	
AVAILABLE	NOT APPLICABLE	34566-6333	9	C	BLUE	72 70 68 67 66 63 62 59 57 56 55 53 52 51 48 47 46 44 40 39 34 33 73 32 30 27 26 25 22 21 19 18 15 14 10 9 6 5 4 3	
AVAILABLE	NOT APPLICABLE	34566-6343	9	A	BLACK	70 69 63 62 61 60 58 57 56 55 54 53 52 51 50 49 44 43 42 41 40 39 37 36 34 73 32 29 28 27 26 19 18 17 16 15 14 13 12 11 10 3 2 1	
AVAILABLE	NOT APPLICABLE	34566-6353	9	C	BLUE	72 70 68 66 63 62 59 58 57 56 55 53 52 51 48 47 46 44 40 39 34 33 73 32 30 27 26 25 23 22 21 20 17 15 14 13 10 9 7 6 5 4 1	
AVAILABLE	NOT APPLICABLE	34566-6363	9	B	ST.GRAY	72 70 68 66 60 59 55 54 53 52 50 48 46 40 39 35 34 33 73 32 31 30 29 28 27 26 25 24 23 19 18 17 16 10 8 7 2 1	
AVAILABLE	NOT APPLICABLE	34566-6373	9	A	BLACK	72 71 70 69 67 64 63 60 59 58 57 56 55 54 53 52 51 50 49 47 45 44 43 42 41 40 39 37 36 34 73 32 30 28 26 23 21 19 18 17 16 15 14 12 10 8 5 3 2 1	
AVAILABLE	NOT APPLICABLE	34566-6383	9	A	BLACK	72 71 70 69 68 66 65 64 63 61 60 57 56 54 53 52 51 50 49 48 46 45 44 43 42 41 40 39 38 37 36 34 33 73 32 31 30 29 28 23 22 21 19 18 17 15 14 13 12 9 7 6 5 2 1	
AVAILABLE	NOT APPLICABLE	34566-6393	9	C	BLUE	71 70 69 67 66 65 64 62 61 60 58 57 55 54 52 51 50 49 48 47 46 45 44 42 41 38 37 35 34 33 73 32 28 27 26 25 19 18 17 16 15 14 13 12 11 10 9 1	
AVAILABLE	NOT APPLICABLE	34566-6413	9	B	ST.GRAY	72 68 67 63 62 61 60 59 55 52 48 47 46 44 43 41 40 38 37 36 35 73 30 27 20 19 18 17 16 15 14 11 8 4 1	
AVAILABLE	NOT APPLICABLE	34566-6423	9	C	BLUE	72 71 70 69 67 66 65 64 56 54 52 51 50 49 47 46 45 44 39 38 34 73 31 30 29 28 26 25 23 22 21 17 16 15 14 13 12 9 7 6 5 1	

PRE-RELEASE  
REFERENCE  
USE ONLY

THIS DRAWING CONTAINS INFORMATION THAT IS PROPRIETARY TO MOLEX ELECTRONIC TECHNOLOGIES, LLC AND SHOULD NOT BE USED WITHOUT WRITTEN PERMISSION

EC NO: 120083 DRWN: APODDATURI CHKD: REV APPR: VKOSHY	2017/07/13	GENERAL TOLERANCES (UNLESS SPECIFIED)	DIMENSION UNITS: MM	SCALE: 1:1
	2017/08/08	ANGULAR TOL ± °	DRWN BY: SKRAJENDRANA	DATE: 2011/02/14
		4 PLACES ±	CHKD BY: MVANSLAMBROU	DATE: 2011/02/14
		3 PLACES ±	APPR BY:	DATE:
		2 PLACES ±		
	1 PLACE ±			
	0 PLACES ±			
DRAFT WHERE APPLICABLE MUST REMAIN WITHIN DIMENSIONS		DRAWING SIZE: D	THIRD ANGLE PROJECTION	

**molex**

MX123  
66/73/80CKT HRNS CONN ASSY

PRODUCT CUSTOMER DRAWING

SERIES: 34566	MATERIAL NUMBER: SEE BOM TABLE	CUSTOMER: GENERAL MARKET
DOCUMENT NUMBER: SD-34566-001	DOC TYPE: PSD	DOC PART: 000
		SHEET NUMBER: 74 OF 98

STATUS	GM PART #	MATERIAL #	WIRE DRESS OPTION	KEY OPTION ▽	COLOR (TPA) ▽	NUMBERS INDICATE CAVITIES OPEN FOR CIRCUITS F <sub>p</sub>																																																																																					
AVAILABLE	NOT APPLICABLE	34566-6433	9	A	BLACK	<table border="1"> <tr><td>72</td><td>70</td><td></td><td></td><td>67</td><td></td><td></td><td></td><td>63</td><td></td><td></td><td>60</td><td>59</td><td>58</td><td>57</td><td>56</td><td>55</td><td></td><td></td><td></td></tr> <tr><td>52</td><td>51</td><td></td><td></td><td>48</td><td>47</td><td>46</td><td></td><td></td><td>43</td><td>42</td><td></td><td>40</td><td>39</td><td>38</td><td>37</td><td>36</td><td>35</td><td></td><td></td></tr> <tr><td colspan="2">73</td><td></td><td></td><td></td><td></td><td></td><td></td><td>28</td><td>27</td><td></td><td></td><td></td><td></td><td>22</td><td>21</td><td></td><td></td><td>18</td><td>17</td></tr> <tr><td colspan="2">73</td><td></td><td></td><td></td><td></td><td></td><td></td><td>12</td><td>11</td><td></td><td>9</td><td></td><td>7</td><td></td><td></td><td></td><td></td><td>2</td><td>1</td></tr> </table>	72	70			67				63			60	59	58	57	56	55				52	51			48	47	46			43	42		40	39	38	37	36	35			73								28	27					22	21			18	17	73								12	11		9		7					2	1					
72	70			67				63			60	59	58	57	56	55																																																																											
52	51			48	47	46			43	42		40	39	38	37	36	35																																																																										
73								28	27					22	21			18	17																																																																								
73								12	11		9		7					2	1																																																																								
AVAILABLE	NOT APPLICABLE	34566-6443	9	B	ST.GRAY	<table border="1"> <tr><td>72</td><td>71</td><td>70</td><td>69</td><td>68</td><td>67</td><td>66</td><td>65</td><td>64</td><td>63</td><td></td><td>61</td><td>60</td><td></td><td></td><td>57</td><td>56</td><td>55</td><td></td><td></td></tr> <tr><td>52</td><td>51</td><td>50</td><td>49</td><td>48</td><td>47</td><td>46</td><td>45</td><td>44</td><td>43</td><td></td><td>41</td><td>40</td><td></td><td></td><td>38</td><td>37</td><td>36</td><td>35</td><td>34</td><td>33</td></tr> <tr><td colspan="2">73</td><td></td><td></td><td>32</td><td>31</td><td>30</td><td>29</td><td>28</td><td></td><td>26</td><td>25</td><td>24</td><td>23</td><td>22</td><td>21</td><td>20</td><td>19</td><td>18</td><td>17</td><td></td></tr> <tr><td colspan="2">73</td><td></td><td></td><td>16</td><td>15</td><td>14</td><td>13</td><td>12</td><td>11</td><td></td><td>9</td><td>8</td><td>7</td><td>6</td><td>5</td><td>4</td><td>3</td><td>2</td><td>1</td><td></td></tr> </table>	72	71	70	69	68	67	66	65	64	63		61	60			57	56	55			52	51	50	49	48	47	46	45	44	43		41	40			38	37	36	35	34	33	73				32	31	30	29	28		26	25	24	23	22	21	20	19	18	17		73				16	15	14	13	12	11		9	8	7	6	5	4	3	2	1			
72	71	70	69	68	67	66	65	64	63		61	60			57	56	55																																																																										
52	51	50	49	48	47	46	45	44	43		41	40			38	37	36	35	34	33																																																																							
73				32	31	30	29	28		26	25	24	23	22	21	20	19	18	17																																																																								
73				16	15	14	13	12	11		9	8	7	6	5	4	3	2	1																																																																								
AVAILABLE	NOT APPLICABLE	34566-6453	0	C	BLUE	<table border="1"> <tr><td></td><td>71</td><td>70</td><td>69</td><td></td><td>67</td><td></td><td></td><td>65</td><td>64</td><td></td><td>62</td><td>61</td><td>60</td><td></td><td></td><td>57</td><td></td><td></td><td>54</td><td></td></tr> <tr><td>52</td><td>51</td><td>50</td><td>49</td><td>48</td><td>47</td><td>46</td><td>45</td><td>44</td><td></td><td>42</td><td>41</td><td></td><td></td><td></td><td></td><td>37</td><td></td><td></td><td>34</td><td>33</td></tr> <tr><td colspan="2">73</td><td></td><td></td><td>32</td><td></td><td></td><td></td><td>28</td><td>27</td><td>26</td><td>25</td><td></td><td></td><td></td><td></td><td></td><td></td><td></td><td>18</td><td>17</td></tr> <tr><td colspan="2">73</td><td></td><td></td><td>16</td><td>15</td><td>14</td><td>13</td><td>12</td><td>11</td><td>10</td><td>9</td><td>8</td><td>7</td><td></td><td></td><td></td><td></td><td></td><td></td><td></td></tr> </table>		71	70	69		67			65	64		62	61	60			57			54		52	51	50	49	48	47	46	45	44		42	41					37			34	33	73				32				28	27	26	25								18	17	73				16	15	14	13	12	11	10	9	8	7								
	71	70	69		67			65	64		62	61	60			57			54																																																																								
52	51	50	49	48	47	46	45	44		42	41					37			34	33																																																																							
73				32				28	27	26	25								18	17																																																																							
73				16	15	14	13	12	11	10	9	8	7																																																																														
AVAILABLE	NOT APPLICABLE	34566-6463	0	B	ST.GRAY	<table border="1"> <tr><td>72</td><td></td><td></td><td></td><td>68</td><td>67</td><td></td><td></td><td></td><td></td><td>62</td><td>61</td><td></td><td></td><td></td><td></td><td></td><td></td><td>55</td><td></td><td></td></tr> <tr><td>52</td><td></td><td></td><td></td><td>48</td><td>47</td><td>46</td><td></td><td></td><td>43</td><td></td><td></td><td>40</td><td></td><td></td><td></td><td></td><td></td><td></td><td></td><td></td></tr> <tr><td colspan="2">73</td><td></td><td></td><td></td><td></td><td>30</td><td></td><td></td><td></td><td></td><td></td><td></td><td></td><td></td><td></td><td></td><td>20</td><td>19</td><td>18</td><td></td></tr> <tr><td colspan="2">73</td><td></td><td></td><td>16</td><td>15</td><td>14</td><td></td><td></td><td></td><td></td><td>8</td><td></td><td></td><td></td><td></td><td>4</td><td></td><td>2</td><td></td><td></td></tr> </table>	72				68	67					62	61							55			52				48	47	46			43			40									73						30											20	19	18		73				16	15	14					8					4		2			
72				68	67					62	61							55																																																																									
52				48	47	46			43			40																																																																															
73						30											20	19	18																																																																								
73				16	15	14					8					4		2																																																																									
AVAILABLE	NOT APPLICABLE	34566-6473	9	C	BLUE	<table border="1"> <tr><td></td><td></td><td>70</td><td>69</td><td></td><td>67</td><td>66</td><td></td><td>64</td><td></td><td>62</td><td></td><td>60</td><td></td><td></td><td>57</td><td></td><td>55</td><td>54</td><td></td><td></td></tr> <tr><td>52</td><td>51</td><td>50</td><td>49</td><td>48</td><td></td><td>46</td><td>45</td><td>44</td><td></td><td>42</td><td></td><td></td><td></td><td></td><td>37</td><td></td><td>35</td><td>34</td><td>33</td><td></td></tr> <tr><td colspan="2">73</td><td></td><td></td><td>32</td><td></td><td></td><td></td><td>28</td><td>27</td><td>26</td><td></td><td></td><td></td><td></td><td></td><td></td><td>19</td><td>18</td><td>17</td><td></td></tr> <tr><td colspan="2">73</td><td></td><td></td><td>16</td><td>15</td><td>14</td><td>13</td><td>12</td><td>11</td><td>10</td><td>9</td><td>8</td><td>7</td><td></td><td></td><td></td><td></td><td></td><td></td><td></td></tr> </table>			70	69		67	66		64		62		60			57		55	54			52	51	50	49	48		46	45	44		42					37		35	34	33		73				32				28	27	26							19	18	17		73				16	15	14	13	12	11	10	9	8	7								
		70	69		67	66		64		62		60			57		55	54																																																																									
52	51	50	49	48		46	45	44		42					37		35	34	33																																																																								
73				32				28	27	26							19	18	17																																																																								
73				16	15	14	13	12	11	10	9	8	7																																																																														
AVAILABLE	NOT APPLICABLE	34566-6483	9	A	BLACK	<table border="1"> <tr><td>72</td><td>71</td><td>70</td><td>69</td><td>68</td><td></td><td>66</td><td>65</td><td>64</td><td>63</td><td></td><td>61</td><td>60</td><td></td><td></td><td>57</td><td>56</td><td></td><td>54</td><td>53</td></tr> <tr><td>52</td><td>51</td><td>50</td><td>49</td><td>48</td><td></td><td>46</td><td>45</td><td>44</td><td>43</td><td></td><td></td><td>40</td><td>39</td><td>38</td><td>37</td><td>36</td><td></td><td>34</td><td>33</td></tr> <tr><td colspan="2">73</td><td></td><td></td><td>32</td><td>31</td><td>30</td><td>29</td><td>28</td><td></td><td>26</td><td>25</td><td></td><td>23</td><td>22</td><td>21</td><td>20</td><td></td><td></td><td></td></tr> <tr><td colspan="2">73</td><td></td><td></td><td></td><td>15</td><td>14</td><td>13</td><td>12</td><td></td><td></td><td>9</td><td>7</td><td>6</td><td>5</td><td></td><td></td><td></td><td>2</td><td></td></tr> </table>	72	71	70	69	68		66	65	64	63		61	60			57	56		54	53	52	51	50	49	48		46	45	44	43			40	39	38	37	36		34	33	73				32	31	30	29	28		26	25		23	22	21	20				73					15	14	13	12			9	7	6	5				2						
72	71	70	69	68		66	65	64	63		61	60			57	56		54	53																																																																								
52	51	50	49	48		46	45	44	43			40	39	38	37	36		34	33																																																																								
73				32	31	30	29	28		26	25		23	22	21	20																																																																											
73					15	14	13	12			9	7	6	5				2																																																																									
AVAILABLE	NOT APPLICABLE	34566-6493	9	B	ST.GRAY	<table border="1"> <tr><td>72</td><td></td><td>70</td><td></td><td></td><td></td><td></td><td></td><td></td><td></td><td>62</td><td>61</td><td></td><td></td><td></td><td></td><td></td><td></td><td>55</td><td></td><td></td></tr> <tr><td>52</td><td></td><td></td><td></td><td>48</td><td>47</td><td>46</td><td></td><td></td><td>43</td><td></td><td>41</td><td>40</td><td></td><td></td><td></td><td></td><td></td><td></td><td>20</td><td>19</td><td>18</td></tr> <tr><td colspan="2">73</td><td></td><td></td><td></td><td></td><td>30</td><td></td><td></td><td></td><td></td><td></td><td></td><td></td><td></td><td></td><td></td><td></td><td>4</td><td></td><td>2</td></tr> <tr><td colspan="2">73</td><td></td><td></td><td>16</td><td>15</td><td>14</td><td></td><td></td><td></td><td></td><td></td><td></td><td></td><td></td><td></td><td></td><td></td><td></td><td></td><td></td></tr> </table>	72		70								62	61							55			52				48	47	46			43		41	40							20	19	18	73						30												4		2	73				16	15	14														
72		70								62	61							55																																																																									
52				48	47	46			43		41	40							20	19	18																																																																						
73						30												4		2																																																																							
73				16	15	14																																																																																					
AVAILABLE	NOT APPLICABLE	34566-6513	0	B	ST.GRAY	<table border="1"> <tr><td>72</td><td></td><td></td><td></td><td>68</td><td>67</td><td></td><td></td><td></td><td></td><td>62</td><td>61</td><td></td><td></td><td></td><td></td><td></td><td></td><td>55</td><td>54</td><td></td></tr> <tr><td>52</td><td></td><td></td><td></td><td></td><td></td><td>46</td><td></td><td></td><td>43</td><td></td><td></td><td>40</td><td></td><td></td><td></td><td></td><td></td><td></td><td>20</td><td>19</td><td>18</td></tr> <tr><td colspan="2">73</td><td></td><td></td><td></td><td></td><td></td><td></td><td></td><td></td><td></td><td></td><td></td><td></td><td></td><td></td><td></td><td></td><td>4</td><td>3</td><td>2</td></tr> <tr><td colspan="2">73</td><td></td><td></td><td>16</td><td>15</td><td>14</td><td></td><td></td><td></td><td></td><td>8</td><td></td><td></td><td></td><td></td><td></td><td></td><td></td><td></td><td></td></tr> </table>	72				68	67					62	61							55	54		52						46			43			40							20	19	18	73																		4	3	2	73				16	15	14					8									
72				68	67					62	61							55	54																																																																								
52						46			43			40							20	19	18																																																																						
73																		4	3	2																																																																							
73				16	15	14					8																																																																																
AVAILABLE	NOT APPLICABLE	34566-6523	0	B	ST.GRAY	<table border="1"> <tr><td></td><td></td><td></td><td></td><td>68</td><td>67</td><td></td><td></td><td>64</td><td></td><td></td><td></td><td></td><td>59</td><td>58</td><td></td><td></td><td></td><td></td><td>54</td><td></td></tr> <tr><td></td><td></td><td></td><td></td><td></td><td></td><td>46</td><td>45</td><td></td><td></td><td></td><td></td><td></td><td>39</td><td>38</td><td></td><td></td><td></td><td></td><td></td><td></td></tr> <tr><td colspan="2">73</td><td></td><td></td><td>32</td><td></td><td>30</td><td>29</td><td>28</td><td>27</td><td></td><td></td><td></td><td>23</td><td>22</td><td></td><td></td><td></td><td></td><td></td><td>17</td></tr> <tr><td colspan="2">73</td><td></td><td></td><td></td><td>15</td><td></td><td>13</td><td></td><td>11</td><td>10</td><td></td><td></td><td></td><td>6</td><td></td><td></td><td></td><td></td><td></td><td>1</td></tr> </table>					68	67			64					59	58					54								46	45						39	38							73				32		30	29	28	27				23	22						17	73					15		13		11	10				6						1	
				68	67			64					59	58					54																																																																								
						46	45						39	38																																																																													
73				32		30	29	28	27				23	22						17																																																																							
73					15		13		11	10				6						1																																																																							



THIS DRAWING CONTAINS INFORMATION THAT IS PROPRIETARY TO MOLEX ELECTRONIC TECHNOLOGIES, LLC AND SHOULD NOT BE USED WITHOUT WRITTEN PERMISSION

EC NO: 120093 DRWN: APODDATURI CHKD: REV APPR: VKOSHY	2017/07/13	2017/08/08	GENERAL TOLERANCES (UNLESS SPECIFIED)	DIMENSION UNITS	SCALE	
			ANGULAR TOL ± °	MM	1:1	
			4 PLACES ±	DRWN BY	DATE	
			3 PLACES ±	SKRAJENDRANA	2011/02/14	
			2 PLACES ±	CHKD BY	DATE	
		1 PLACE ±	MVANSLAMBROU	2011/02/14		
		0 PLACES ±	APPR BY	DATE	PRODUCT CUSTOMER DRAWING	
DRAFT WHERE APPLICABLE MUST REMAIN WITHIN DIMENSIONS			DRAWING SIZE	THIRD ANGLE PROJECTION		SERIES
			D			MATERIAL NUMBER
					34566	
					SEE BOM TABLE	
					GENERAL MARKET	
					DOCUMENT NUMBER	DOC TYPE
					SD-34566-001	PSD
					DOC PART	SHEET NUMBER
					000	75 OF 98



STATUS	GM PART #	MATERIAL #	WIRE DRESS OPTION	KEY OPTION	COLOR (TPA)	NUMBERS INDICATE CAVITIES OPEN FOR CIRCUITS Fp																																																																																
AVAILABLE	NOT APPLICABLE	34566-6633	9	C	BLUE	<table border="1"> <tr><td></td><td></td><td></td><td>69</td><td>67</td><td>66</td><td></td><td>64</td><td>62</td><td>60</td><td></td><td></td><td>57</td><td></td><td>54</td><td></td></tr> <tr><td>52</td><td>51</td><td>50</td><td></td><td>48</td><td></td><td>46</td><td>45</td><td>44</td><td>42</td><td></td><td></td><td>37</td><td></td><td>34</td><td>33</td></tr> <tr><td colspan="3">73</td><td></td><td></td><td></td><td></td><td>28</td><td>27</td><td>26</td><td></td><td></td><td></td><td></td><td></td><td></td></tr> <tr><td></td><td></td><td></td><td>16</td><td>15</td><td>14</td><td>13</td><td>12</td><td>11</td><td>10</td><td>9</td><td>8</td><td>7</td><td></td><td></td><td></td></tr> </table>				69	67	66		64	62	60			57		54		52	51	50		48		46	45	44	42			37		34	33	73							28	27	26										16	15	14	13	12	11	10	9	8	7																			
			69	67	66		64	62	60			57		54																																																																								
52	51	50		48		46	45	44	42			37		34	33																																																																							
73							28	27	26																																																																													
			16	15	14	13	12	11	10	9	8	7																																																																										
AVAILABLE	NOT APPLICABLE	34566-6643	9	C	BLUE	<table border="1"> <tr><td></td><td>71</td><td></td><td></td><td>68</td><td>67</td><td></td><td>65</td><td>64</td><td>63</td><td></td><td>61</td><td>60</td><td></td><td>58</td><td>57</td><td></td><td>54</td><td></td></tr> <tr><td>52</td><td>51</td><td>50</td><td></td><td>48</td><td></td><td></td><td>45</td><td></td><td>43</td><td></td><td>41</td><td></td><td></td><td>38</td><td>37</td><td></td><td>34</td><td>33</td></tr> <tr><td colspan="3">73</td><td></td><td></td><td></td><td></td><td>28</td><td>27</td><td></td><td>25</td><td></td><td></td><td></td><td></td><td></td><td></td><td>18</td><td></td></tr> <tr><td></td><td></td><td></td><td>16</td><td>15</td><td>14</td><td>13</td><td>12</td><td>11</td><td>10</td><td>9</td><td>8</td><td>7</td><td></td><td></td><td></td><td></td><td></td><td></td></tr> </table>		71			68	67		65	64	63		61	60		58	57		54		52	51	50		48			45		43		41			38	37		34	33	73							28	27		25							18					16	15	14	13	12	11	10	9	8	7										
	71			68	67		65	64	63		61	60		58	57		54																																																																					
52	51	50		48			45		43		41			38	37		34	33																																																																				
73							28	27		25							18																																																																					
			16	15	14	13	12	11	10	9	8	7																																																																										
AVAILABLE	NOT APPLICABLE	34566-6653	9	B	ST.GRAY	<table border="1"> <tr><td>72</td><td></td><td></td><td></td><td>68</td><td></td><td></td><td></td><td></td><td></td><td>62</td><td>61</td><td>60</td><td>59</td><td></td><td></td><td></td><td>55</td><td></td></tr> <tr><td>52</td><td></td><td></td><td></td><td>48</td><td>47</td><td>46</td><td></td><td>44</td><td>43</td><td></td><td>41</td><td>40</td><td></td><td>38</td><td>37</td><td>36</td><td>35</td><td></td></tr> <tr><td colspan="3">73</td><td></td><td></td><td>30</td><td></td><td></td><td></td><td></td><td></td><td></td><td>8</td><td></td><td></td><td></td><td>20</td><td>19</td><td>18</td></tr> <tr><td></td><td></td><td></td><td>16</td><td></td><td>14</td><td></td><td></td><td></td><td></td><td></td><td></td><td></td><td></td><td></td><td>5</td><td>4</td><td></td><td>1</td></tr> </table>	72				68						62	61	60	59				55		52				48	47	46		44	43		41	40		38	37	36	35		73					30							8				20	19	18				16		14										5	4		1				
72				68						62	61	60	59				55																																																																					
52				48	47	46		44	43		41	40		38	37	36	35																																																																					
73					30							8				20	19	18																																																																				
			16		14										5	4		1																																																																				
AVAILABLE	NOT APPLICABLE	34566-6663	9	A	BLACK	<table border="1"> <tr><td>72</td><td>71</td><td>70</td><td>69</td><td>68</td><td></td><td>66</td><td>65</td><td>64</td><td>63</td><td></td><td></td><td>60</td><td></td><td></td><td>57</td><td>56</td><td></td><td>54</td></tr> <tr><td>52</td><td>51</td><td>50</td><td>49</td><td>48</td><td></td><td>46</td><td>45</td><td>44</td><td>43</td><td>42</td><td></td><td>40</td><td>39</td><td>38</td><td>37</td><td>36</td><td></td><td>34</td></tr> <tr><td colspan="3">73</td><td></td><td>32</td><td>31</td><td>30</td><td>29</td><td>28</td><td></td><td>26</td><td>25</td><td></td><td>23</td><td>22</td><td>21</td><td>20</td><td></td><td></td></tr> <tr><td></td><td></td><td></td><td></td><td></td><td>15</td><td>14</td><td>13</td><td>12</td><td></td><td></td><td>9</td><td></td><td>7</td><td>6</td><td>5</td><td>4</td><td></td><td>2</td></tr> </table>	72	71	70	69	68		66	65	64	63			60			57	56		54	52	51	50	49	48		46	45	44	43	42		40	39	38	37	36		34	73				32	31	30	29	28		26	25		23	22	21	20								15	14	13	12			9		7	6	5	4		2				
72	71	70	69	68		66	65	64	63			60			57	56		54																																																																				
52	51	50	49	48		46	45	44	43	42		40	39	38	37	36		34																																																																				
73				32	31	30	29	28		26	25		23	22	21	20																																																																						
					15	14	13	12			9		7	6	5	4		2																																																																				
AVAILABLE	NOT APPLICABLE	34566-6673	9	B	ST.GRAY	<table border="1"> <tr><td>72</td><td>71</td><td>70</td><td>69</td><td>68</td><td>67</td><td>66</td><td>65</td><td>64</td><td>63</td><td></td><td>61</td><td>60</td><td>59</td><td></td><td>57</td><td>56</td><td>55</td><td></td></tr> <tr><td>52</td><td>51</td><td>50</td><td>49</td><td>48</td><td>47</td><td>46</td><td>45</td><td>44</td><td>43</td><td></td><td>41</td><td>40</td><td>39</td><td>38</td><td>37</td><td>36</td><td>35</td><td>34</td><td>33</td></tr> <tr><td colspan="3">73</td><td></td><td>32</td><td>31</td><td>30</td><td>29</td><td>28</td><td></td><td>26</td><td></td><td>24</td><td>23</td><td>22</td><td>21</td><td>20</td><td>19</td><td>18</td><td>17</td></tr> <tr><td></td><td></td><td></td><td></td><td>16</td><td>15</td><td>14</td><td>13</td><td>12</td><td>11</td><td></td><td>9</td><td>8</td><td>7</td><td>6</td><td>5</td><td>4</td><td>3</td><td>2</td><td>1</td></tr> </table>	72	71	70	69	68	67	66	65	64	63		61	60	59		57	56	55		52	51	50	49	48	47	46	45	44	43		41	40	39	38	37	36	35	34	33	73				32	31	30	29	28		26		24	23	22	21	20	19	18	17					16	15	14	13	12	11		9	8	7	6	5	4	3	2	1	
72	71	70	69	68	67	66	65	64	63		61	60	59		57	56	55																																																																					
52	51	50	49	48	47	46	45	44	43		41	40	39	38	37	36	35	34	33																																																																			
73				32	31	30	29	28		26		24	23	22	21	20	19	18	17																																																																			
				16	15	14	13	12	11		9	8	7	6	5	4	3	2	1																																																																			
AVAILABLE	NOT APPLICABLE	34566-6683	9	A	BLACK	<table border="1"> <tr><td>72</td><td></td><td>70</td><td></td><td></td><td>67</td><td></td><td></td><td></td><td></td><td>63</td><td></td><td>60</td><td>59</td><td>58</td><td>57</td><td></td><td></td><td></td></tr> <tr><td>52</td><td></td><td></td><td></td><td>48</td><td>47</td><td>46</td><td></td><td></td><td>43</td><td>42</td><td></td><td>40</td><td>39</td><td>38</td><td>37</td><td></td><td></td><td></td></tr> <tr><td colspan="3">73</td><td></td><td>32</td><td>31</td><td>30</td><td>29</td><td>28</td><td>27</td><td></td><td></td><td></td><td></td><td>22</td><td>21</td><td></td><td></td><td></td></tr> <tr><td></td><td></td><td></td><td></td><td>16</td><td>15</td><td>14</td><td>13</td><td>12</td><td>11</td><td></td><td>9</td><td></td><td></td><td>6</td><td></td><td></td><td></td><td>2</td><td>1</td></tr> </table>	72		70			67					63		60	59	58	57				52				48	47	46			43	42		40	39	38	37				73				32	31	30	29	28	27					22	21								16	15	14	13	12	11		9			6				2	1			
72		70			67					63		60	59	58	57																																																																							
52				48	47	46			43	42		40	39	38	37																																																																							
73				32	31	30	29	28	27					22	21																																																																							
				16	15	14	13	12	11		9			6				2	1																																																																			
AVAILABLE	NOT APPLICABLE	34566-6693	9	C	BLUE	<table border="1"> <tr><td>72</td><td>71</td><td>70</td><td>69</td><td></td><td>67</td><td>66</td><td>65</td><td>64</td><td></td><td></td><td></td><td></td><td></td><td></td><td>56</td><td></td><td></td><td>54</td></tr> <tr><td>52</td><td>51</td><td>50</td><td>49</td><td></td><td>47</td><td>46</td><td>45</td><td>44</td><td></td><td></td><td></td><td></td><td>39</td><td>38</td><td></td><td></td><td></td><td>34</td></tr> <tr><td colspan="3">73</td><td></td><td></td><td>31</td><td>30</td><td>29</td><td>28</td><td></td><td>26</td><td>25</td><td>24</td><td>23</td><td>22</td><td>21</td><td></td><td></td><td>17</td></tr> <tr><td></td><td></td><td></td><td></td><td></td><td>16</td><td>15</td><td>14</td><td>13</td><td>12</td><td></td><td>9</td><td>8</td><td>7</td><td>6</td><td>5</td><td></td><td></td><td></td></tr> </table>	72	71	70	69		67	66	65	64							56			54	52	51	50	49		47	46	45	44					39	38				34	73					31	30	29	28		26	25	24	23	22	21			17						16	15	14	13	12		9	8	7	6	5							
72	71	70	69		67	66	65	64							56			54																																																																				
52	51	50	49		47	46	45	44					39	38				34																																																																				
73					31	30	29	28		26	25	24	23	22	21			17																																																																				
					16	15	14	13	12		9	8	7	6	5																																																																							
AVAILABLE	NOT APPLICABLE	34822-0063	9	A	BLACK	<table border="1"> <tr><td></td><td>63</td><td>62</td><td>61</td><td>60</td><td>59</td><td></td><td></td><td></td><td></td><td></td><td>54</td><td>53</td><td></td><td>51</td><td></td><td>49</td><td></td><td></td><td>66</td></tr> <tr><td></td><td>47</td><td></td><td></td><td></td><td></td><td></td><td></td><td></td><td></td><td></td><td>38</td><td>37</td><td></td><td>35</td><td></td><td>33</td><td></td><td></td><td></td></tr> <tr><td colspan="3">65</td><td></td><td></td><td></td><td></td><td></td><td>28</td><td></td><td></td><td>25</td><td></td><td></td><td>22</td><td>21</td><td>20</td><td>19</td><td>18</td><td>17</td></tr> <tr><td></td><td></td><td></td><td></td><td></td><td></td><td>15</td><td>14</td><td>13</td><td></td><td></td><td></td><td>8</td><td>7</td><td></td><td></td><td></td><td>3</td><td>2</td><td>1</td></tr> </table>		63	62	61	60	59						54	53		51		49			66		47										38	37		35		33				65								28			25			22	21	20	19	18	17							15	14	13				8	7				3	2	1
	63	62	61	60	59						54	53		51		49			66																																																																			
	47										38	37		35		33																																																																						
65								28			25			22	21	20	19	18	17																																																																			
						15	14	13				8	7				3	2	1																																																																			
AVAILABLE	NOT APPLICABLE	34566-6713	9	A	BLACK	<table border="1"> <tr><td>72</td><td>71</td><td>70</td><td>69</td><td>68</td><td></td><td>66</td><td>65</td><td>64</td><td>63</td><td></td><td>61</td><td>60</td><td></td><td></td><td>57</td><td>56</td><td></td><td>54</td><td>53</td></tr> <tr><td>52</td><td>51</td><td>50</td><td>49</td><td>48</td><td></td><td>46</td><td>45</td><td>44</td><td>43</td><td>42</td><td>41</td><td>40</td><td>39</td><td>38</td><td>37</td><td>36</td><td></td><td>34</td><td>33</td></tr> <tr><td colspan="3">73</td><td></td><td>32</td><td>31</td><td>30</td><td>29</td><td>28</td><td></td><td>26</td><td>25</td><td></td><td>23</td><td>22</td><td>21</td><td></td><td></td><td></td><td></td></tr> <tr><td></td><td></td><td></td><td></td><td></td><td>15</td><td>14</td><td>13</td><td>12</td><td></td><td></td><td>9</td><td></td><td>7</td><td>6</td><td>5</td><td></td><td></td><td>2</td><td>1</td></tr> </table>	72	71	70	69	68		66	65	64	63		61	60			57	56		54	53	52	51	50	49	48		46	45	44	43	42	41	40	39	38	37	36		34	33	73				32	31	30	29	28		26	25		23	22	21										15	14	13	12			9		7	6	5			2	1
72	71	70	69	68		66	65	64	63		61	60			57	56		54	53																																																																			
52	51	50	49	48		46	45	44	43	42	41	40	39	38	37	36		34	33																																																																			
73				32	31	30	29	28		26	25		23	22	21																																																																							
					15	14	13	12			9		7	6	5			2	1																																																																			


PRE-RELEASE  
REFERENCE  
USE ONLY

THIS DRAWING CONTAINS INFORMATION THAT IS PROPRIETARY TO MOLEX ELECTRONIC TECHNOLOGIES, LLC AND SHOULD NOT BE USED WITHOUT WRITTEN PERMISSION

EC NO: 120063 DRWN: APODDATURI CHKD: REV APPR: VKOSHY	2017/07/13	GENERAL TOLERANCES (UNLESS SPECIFIED)		DIMENSION UNITS	SCALE	
	2017/08/08	ANGULAR TOL ± °		MM	1:1	
		4 PLACES ±	SKRAJENDRANA	DATE	2011/02/14	
		3 PLACES ±	CHKD BY	DATE		
		2 PLACES ±	MVANSLAMBROU	DATE	2011/02/14	
		1 PLACE ±	APPR BY	DATE		
		0 PLACES ±	DRAFT WHERE APPLICABLE MUST REMAIN WITHIN DIMENSIONS			
			DRAWING SIZE	THIRD ANGLE PROJECTION		
			D			
G55		SERIES	MATERIAL NUMBER	CUSTOMER		
		34566	SEE BOM TABLE	GENERAL MARKET		
		DOCUMENT NUMBER	DOC TYPE	DOC PART	SHEET NUMBER	
		SD-34566-001	PSD	000	77 OF 98	

STATUS	GM PART #	MATERIAL #	WIRE DRESS OPTION	KEY OPTION ▽	COLOR (TPA) ▽	NUMBERS INDICATE CAVITIES OPEN FOR CIRCUITS F <sub>P</sub>																																																																																								
AVAILABLE	NOT APPLICABLE	34566-6723	0	H	ST.GRAY	<table border="1"> <tr><td>79</td><td></td><td></td><td></td><td></td><td></td><td>74</td><td>73</td><td></td><td></td><td></td><td></td><td></td><td></td><td>67</td><td></td><td>65</td><td>64</td><td>63</td><td>62</td><td>61</td></tr> <tr><td>59</td><td></td><td></td><td></td><td></td><td></td><td></td><td>53</td><td>52</td><td></td><td></td><td></td><td></td><td></td><td></td><td></td><td></td><td>44</td><td>43</td><td>42</td><td>41</td></tr> <tr><td></td><td></td><td>38</td><td></td><td></td><td></td><td></td><td>33</td><td></td><td></td><td></td><td></td><td></td><td></td><td>27</td><td></td><td>25</td><td></td><td></td><td></td><td></td></tr> <tr><td></td><td></td><td>18</td><td></td><td></td><td></td><td>15</td><td>14</td><td>13</td><td>12</td><td></td><td></td><td>10</td><td>9</td><td>8</td><td>7</td><td></td><td></td><td></td><td></td><td></td></tr> </table>	79						74	73							67		65	64	63	62	61	59							53	52									44	43	42	41			38					33							27		25							18				15	14	13	12			10	9	8	7									
79						74	73							67		65	64	63	62	61																																																																										
59							53	52									44	43	42	41																																																																										
		38					33							27		25																																																																														
		18				15	14	13	12			10	9	8	7																																																																															
AVAILABLE	NOT APPLICABLE	34566-6733	0	G	BLUE	<table border="1"> <tr><td></td><td></td><td>78</td><td>77</td><td></td><td>75</td><td>74</td><td></td><td>72</td><td></td><td>70</td><td></td><td></td><td></td><td></td><td></td><td></td><td>64</td><td>63</td><td></td><td></td></tr> <tr><td>60</td><td></td><td>58</td><td>57</td><td></td><td>55</td><td>54</td><td></td><td>52</td><td>51</td><td>50</td><td>49</td><td></td><td></td><td>47</td><td></td><td>45</td><td></td><td></td><td></td><td></td></tr> <tr><td>40</td><td>39</td><td>38</td><td>37</td><td></td><td></td><td></td><td></td><td>33</td><td>32</td><td>31</td><td></td><td></td><td></td><td>27</td><td>26</td><td></td><td></td><td></td><td></td><td></td></tr> <tr><td>20</td><td>19</td><td>18</td><td>17</td><td></td><td></td><td></td><td></td><td></td><td></td><td></td><td>10</td><td>9</td><td>8</td><td></td><td>6</td><td></td><td>4</td><td>3</td><td>2</td><td>1</td></tr> </table>			78	77		75	74		72		70							64	63			60		58	57		55	54		52	51	50	49			47		45					40	39	38	37					33	32	31				27	26						20	19	18	17								10	9	8		6		4	3	2	1				
		78	77		75	74		72		70							64	63																																																																												
60		58	57		55	54		52	51	50	49			47		45																																																																														
40	39	38	37					33	32	31				27	26																																																																															
20	19	18	17								10	9	8		6		4	3	2	1																																																																										
AVAILABLE	NOT APPLICABLE	34566-6743	9	C	BLUE	<table border="1"> <tr><td>71</td><td></td><td>69</td><td>68</td><td>67</td><td></td><td>65</td><td>64</td><td>63</td><td></td><td>61</td><td>60</td><td></td><td></td><td>57</td><td></td><td></td><td></td><td></td><td></td></tr> <tr><td>52</td><td>51</td><td>50</td><td></td><td>48</td><td></td><td>46</td><td>45</td><td></td><td>43</td><td></td><td>41</td><td></td><td></td><td>37</td><td></td><td></td><td></td><td></td><td>34</td><td>33</td></tr> <tr><td></td><td></td><td>73</td><td></td><td></td><td></td><td></td><td></td><td></td><td>28</td><td>27</td><td></td><td>25</td><td></td><td></td><td></td><td></td><td></td><td></td><td></td><td></td></tr> <tr><td></td><td></td><td></td><td></td><td>16</td><td>15</td><td>14</td><td>13</td><td>12</td><td>11</td><td>10</td><td>9</td><td>8</td><td>7</td><td></td><td></td><td></td><td></td><td></td><td></td><td></td></tr> </table>	71		69	68	67		65	64	63		61	60			57						52	51	50		48		46	45		43		41			37					34	33			73							28	27		25													16	15	14	13	12	11	10	9	8	7												
71		69	68	67		65	64	63		61	60			57																																																																																
52	51	50		48		46	45		43		41			37					34	33																																																																										
		73							28	27		25																																																																																		
				16	15	14	13	12	11	10	9	8	7																																																																																	
AVAILABLE	NOT APPLICABLE	34566-6753	9	A	BLACK	<table border="1"> <tr><td>72</td><td>71</td><td>70</td><td>69</td><td>68</td><td></td><td>66</td><td>65</td><td>64</td><td></td><td></td><td>61</td><td>60</td><td></td><td></td><td>57</td><td>56</td><td></td><td></td><td>54</td><td>53</td></tr> <tr><td>52</td><td>51</td><td>50</td><td>49</td><td>48</td><td></td><td>46</td><td>45</td><td>44</td><td>43</td><td>42</td><td></td><td>40</td><td>39</td><td>38</td><td>37</td><td>36</td><td></td><td></td><td>34</td><td>33</td></tr> <tr><td></td><td></td><td>73</td><td></td><td></td><td></td><td>31</td><td>30</td><td>29</td><td>28</td><td></td><td></td><td></td><td>23</td><td>22</td><td>21</td><td>20</td><td></td><td></td><td></td><td></td></tr> <tr><td></td><td></td><td></td><td></td><td>15</td><td>14</td><td>13</td><td>12</td><td></td><td></td><td></td><td></td><td></td><td>7</td><td>6</td><td>5</td><td>4</td><td></td><td></td><td></td><td>2</td></tr> </table>	72	71	70	69	68		66	65	64			61	60			57	56			54	53	52	51	50	49	48		46	45	44	43	42		40	39	38	37	36			34	33			73				31	30	29	28				23	22	21	20									15	14	13	12						7	6	5	4				2				
72	71	70	69	68		66	65	64			61	60			57	56			54	53																																																																										
52	51	50	49	48		46	45	44	43	42		40	39	38	37	36			34	33																																																																										
		73				31	30	29	28				23	22	21	20																																																																														
				15	14	13	12						7	6	5	4				2																																																																										
AVAILABLE	NOT APPLICABLE	34566-6763	9	B	ST.GRAY	<table border="1"> <tr><td>72</td><td></td><td></td><td></td><td>68</td><td></td><td></td><td></td><td></td><td></td><td>62</td><td>61</td><td></td><td></td><td></td><td></td><td></td><td></td><td></td><td>55</td><td></td></tr> <tr><td>52</td><td></td><td>50</td><td>49</td><td></td><td></td><td>46</td><td>45</td><td></td><td>43</td><td></td><td></td><td>40</td><td></td><td></td><td></td><td></td><td></td><td></td><td>34</td><td></td></tr> <tr><td></td><td></td><td>73</td><td></td><td></td><td></td><td></td><td></td><td>29</td><td></td><td></td><td></td><td></td><td></td><td></td><td>22</td><td>21</td><td>20</td><td>19</td><td>18</td><td></td></tr> <tr><td></td><td></td><td></td><td></td><td>16</td><td></td><td>14</td><td></td><td></td><td></td><td></td><td></td><td>8</td><td></td><td>6</td><td>5</td><td>4</td><td></td><td></td><td></td><td></td></tr> </table>	72				68						62	61								55		52		50	49			46	45		43			40							34				73						29							22	21	20	19	18						16		14						8		6	5	4								
72				68						62	61								55																																																																											
52		50	49			46	45		43			40							34																																																																											
		73						29							22	21	20	19	18																																																																											
				16		14						8		6	5	4																																																																														
AVAILABLE	NOT APPLICABLE	34566-6773	0	C	BLUE	<table border="1"> <tr><td>72</td><td></td><td>70</td><td></td><td>68</td><td></td><td>66</td><td></td><td></td><td></td><td>63</td><td>62</td><td></td><td></td><td>59</td><td>58</td><td>57</td><td></td><td></td><td></td><td>53</td></tr> <tr><td>52</td><td>51</td><td></td><td>49</td><td>48</td><td>47</td><td>46</td><td></td><td>44</td><td></td><td>42</td><td></td><td>40</td><td>39</td><td></td><td></td><td></td><td></td><td></td><td>34</td><td>33</td></tr> <tr><td></td><td></td><td>73</td><td></td><td></td><td></td><td>32</td><td>30</td><td></td><td></td><td></td><td>26</td><td>25</td><td></td><td></td><td>22</td><td>21</td><td></td><td>19</td><td>18</td><td>17</td></tr> <tr><td></td><td></td><td></td><td></td><td>15</td><td>14</td><td></td><td></td><td></td><td></td><td>10</td><td>9</td><td></td><td></td><td>6</td><td>5</td><td>4</td><td></td><td></td><td></td><td>1</td></tr> </table>	72		70		68		66				63	62			59	58	57				53	52	51		49	48	47	46		44		42		40	39						34	33			73				32	30				26	25			22	21		19	18	17					15	14					10	9			6	5	4				1				
72		70		68		66				63	62			59	58	57				53																																																																										
52	51		49	48	47	46		44		42		40	39						34	33																																																																										
		73				32	30				26	25			22	21		19	18	17																																																																										
				15	14					10	9			6	5	4				1																																																																										
AVAILABLE	NOT APPLICABLE	34566-6783	0	B	ST.GRAY	<table border="1"> <tr><td>72</td><td></td><td>70</td><td></td><td>68</td><td></td><td>66</td><td></td><td></td><td></td><td></td><td></td><td>60</td><td>59</td><td></td><td></td><td></td><td></td><td></td><td>55</td><td>54</td><td>53</td></tr> <tr><td>52</td><td></td><td>50</td><td></td><td>48</td><td></td><td>46</td><td></td><td></td><td>43</td><td></td><td></td><td>40</td><td>39</td><td></td><td></td><td></td><td></td><td></td><td>35</td><td>34</td><td>33</td></tr> <tr><td></td><td></td><td>73</td><td></td><td></td><td></td><td>32</td><td>31</td><td>30</td><td>29</td><td>28</td><td>27</td><td>26</td><td>25</td><td>24</td><td>23</td><td></td><td></td><td></td><td></td><td></td><td>17</td></tr> <tr><td></td><td></td><td></td><td></td><td>16</td><td></td><td></td><td></td><td></td><td></td><td></td><td>10</td><td>8</td><td>7</td><td></td><td></td><td></td><td></td><td></td><td></td><td></td><td>2</td></tr> </table>	72		70		68		66						60	59						55	54	53	52		50		48		46			43			40	39						35	34	33			73				32	31	30	29	28	27	26	25	24	23						17					16							10	8	7								2
72		70		68		66						60	59						55	54	53																																																																									
52		50		48		46			43			40	39						35	34	33																																																																									
		73				32	31	30	29	28	27	26	25	24	23						17																																																																									
				16							10	8	7								2																																																																									
AVAILABLE	NOT APPLICABLE	34566-6793	0	B	ST.GRAY	<table border="1"> <tr><td>72</td><td></td><td>70</td><td></td><td>68</td><td></td><td>66</td><td></td><td>64</td><td>63</td><td></td><td></td><td>60</td><td>59</td><td></td><td></td><td></td><td></td><td></td><td>55</td><td>54</td><td>53</td></tr> <tr><td>52</td><td></td><td>50</td><td></td><td>48</td><td></td><td>46</td><td></td><td></td><td>43</td><td></td><td></td><td>40</td><td>39</td><td></td><td></td><td></td><td></td><td></td><td>35</td><td>34</td><td>33</td></tr> <tr><td></td><td></td><td>73</td><td></td><td></td><td></td><td>32</td><td>31</td><td>30</td><td>29</td><td>28</td><td>27</td><td>26</td><td>25</td><td>24</td><td>23</td><td></td><td></td><td>20</td><td></td><td></td><td>17</td></tr> <tr><td></td><td></td><td></td><td></td><td>16</td><td></td><td></td><td></td><td></td><td></td><td></td><td>10</td><td>8</td><td>7</td><td></td><td></td><td></td><td></td><td></td><td></td><td></td><td>2</td></tr> </table>	72		70		68		66		64	63			60	59						55	54	53	52		50		48		46			43			40	39						35	34	33			73				32	31	30	29	28	27	26	25	24	23			20			17					16							10	8	7								2
72		70		68		66		64	63			60	59						55	54	53																																																																									
52		50		48		46			43			40	39						35	34	33																																																																									
		73				32	31	30	29	28	27	26	25	24	23			20			17																																																																									
				16							10	8	7								2																																																																									
AVAILABLE	NOT APPLICABLE	34566-6813	9	A	BLACK	<table border="1"> <tr><td>71</td><td>70</td><td>69</td><td>68</td><td>67</td><td></td><td>65</td><td>64</td><td>63</td><td>62</td><td>61</td><td>60</td><td></td><td></td><td>58</td><td>57</td><td>56</td><td>55</td><td>54</td><td>53</td></tr> <tr><td>52</td><td>51</td><td>50</td><td>49</td><td>48</td><td>47</td><td>45</td><td>44</td><td>43</td><td>42</td><td>41</td><td>40</td><td>39</td><td></td><td></td><td>37</td><td>36</td><td></td><td></td><td>34</td><td></td></tr> <tr><td></td><td></td><td>73</td><td></td><td></td><td></td><td>32</td><td>30</td><td>29</td><td>28</td><td>27</td><td>26</td><td>25</td><td>24</td><td></td><td></td><td>21</td><td></td><td></td><td></td><td>18</td></tr> <tr><td></td><td></td><td></td><td></td><td>16</td><td>15</td><td>14</td><td>13</td><td>12</td><td>11</td><td>10</td><td>9</td><td>8</td><td></td><td></td><td>5</td><td></td><td>3</td><td></td><td></td><td></td><td></td></tr> </table>	71	70	69	68	67		65	64	63	62	61	60			58	57	56	55	54	53	52	51	50	49	48	47	45	44	43	42	41	40	39			37	36			34				73				32	30	29	28	27	26	25	24			21				18					16	15	14	13	12	11	10	9	8			5		3								
71	70	69	68	67		65	64	63	62	61	60			58	57	56	55	54	53																																																																											
52	51	50	49	48	47	45	44	43	42	41	40	39			37	36			34																																																																											
		73				32	30	29	28	27	26	25	24			21				18																																																																										
				16	15	14	13	12	11	10	9	8			5		3																																																																													

PRE-RELEASE  
REFERENCE  
USE ONLY


THIS DRAWING CONTAINS INFORMATION THAT IS PROPRIETARY TO MOLEX ELECTRONIC TECHNOLOGIES, LLC AND SHOULD NOT BE USED WITHOUT WRITTEN PERMISSION										
EC NO: 120083 DRWN: APODDATURI CHKD: REV APPR: VKOSHY	2017/07/13	GENERAL TOLERANCES (UNLESS SPECIFIED)		DIMENSION UNITS	SCALE	 <b>MX123</b> <b>66/73/80CKT HRNS CONN ASSY</b> <b>PRODUCT CUSTOMER DRAWING</b>				
	2017/08/08	ANGULAR TOL ± °		MM	1:1					
		4 PLACES ±	SKRAJENDRANA		DATE					2011/02/14
		3 PLACES ±	CHKD BY		DATE					
		2 PLACES ±	MVANSLAMBROU		DATE					2011/02/14
		1 PLACE ±	APPR BY		DATE					
	0 PLACES ±	DRAFT WHERE APPLICABLE MUST REMAIN WITHIN DIMENSIONS		DRAWING SIZE	THIRD ANGLE PROJECTION	SERIES: 34566    MATERIAL NUMBER: SEE BOM TABLE    CUSTOMER: GENERAL MARKET				
G55		D		DOCUMENT NUMBER: SD-34566-001    DOC TYPE: PSD    DOC PART: 000    SHEET NUMBER: 78 OF 98						



STATUS	GM PART #	MATERIAL #	WIRE DRESS OPTION	KEY OPTION F	COLOR (TPA) E	NUMBERS INDICATE CAVITIES OPEN FOR CIRCUITS F <sub>P</sub>																																																																				
AVAILABLE	NOT APPLICABLE	34566-6823	9	C	BLUE	72	70	68	67	66	63	62	59	57	53	52	51	49	48	47	46	44	41	40	39	37	36	35	34	33	73	32	30	27	26	25	24	22	21	20	15	14	13	10	9	8	6	5	4	2																								
AVAILABLE	NOT APPLICABLE	34566-6833	0	A	BLACK		70	69			63		60	59	58	57	56	55	54	53	52	51	49	48	47	44	43	42	41	40	37	36	34	33	73	32		28	26								19	18	16	15	12	10	3																					
AVAILABLE	NOT APPLICABLE	34566-6843	0	A	BLACK	72	71	70	69	68	66	65	64	63	61	60	57	56	54	53	52	51	50	49	48	46	45	44	43	40	39	38	37	36	34	33	73	32	31	30	29	28	26	25	23	22	21	20	15	14	13	12	9	7	6	5	4	2																
AVAILABLE	NOT APPLICABLE	34566-6853	0	C	BLUE				69	67	66	64	62	61	60	57	55	54	53	52	51	50	49	48	46	45	44	42	41	37	35	34	33	73	32		28	27	26	25								19	18	17	16	15	14	13	12	11	10	9	8	7														
AVAILABLE	NOT APPLICABLE	34566-6863	0	A	BLACK	72	71	70	69	68	66	65	64	63	61	60	57	56	54	53	52	51	50	49	48	46	45	44	43	42	40	39	38	37	36	34	33	73	32	31	30	29	28	26	25	23	22	21	20	15	14	13	12	9	7	6	5	4	2															
AVAILABLE	NOT APPLICABLE	34566-6873	9	B	ST.GRAY	72			68	67	63	62	61	60	59	55	53	52			48	47	46	44	43	41	40	38	37	36	35	34	33	73			30	27								20	19	18	17	16	15	14	11	8	4	1																		
AVAILABLE	NOT APPLICABLE	34566-6883	9	A	BLACK	72	70		67		63		60	59	58	57	56	55			52	51		48	47	46	43	42	40	39	38	37	36	35	34	33	73			28	27			22	21		18	17			12	11	9	7	5	2	1																	
AVAILABLE	NOT APPLICABLE	34566-6893	0	B	ST.GRAY	72	71	70	69	68	67	66	65	64	63	62	61	60	59	57	56	55			52	51	50	49	48	47	46	45	44	43	42	41	40	39	38	37	36	35	34	33	73	32	31	30	29	28	26	24	23	22	21	20	19	18	17	16	15	14	13	12	11	9	8	7	6	5	4	3	2	1
AVAILABLE	NOT APPLICABLE	34566-6913	9	A	BLACK	72	71	70	69	68	67	66	65	64	63		60	59	58	57	56	55	54			52	51	50	49	48	47	46	45	44	43	42	40	39	38	37	36	35	34			32	31	30	29	28	27	26	25	23	22	21	20	18	17	73	16	15	14	13	12	11	9	7	6	5	4	2	1	

PRE-RELEASE  
 REFERENCE  
 USE ONLY


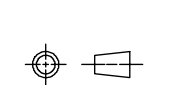
THIS DRAWING CONTAINS INFORMATION THAT IS PROPRIETARY TO MOLEX ELECTRONIC TECHNOLOGIES, LLC AND SHOULD NOT BE USED WITHOUT WRITTEN PERMISSION

EC NO: 120083 DRWN: APODDATURI CHKD: REV APPR: VKOSHY	2017/07/13	GENERAL TOLERANCES (UNLESS SPECIFIED)		DIMENSION UNITS	SCALE	 MX123 66/73/80CKT HRNS CONN ASSY PRODUCT CUSTOMER DRAWING			
	2017/08/08	ANGULAR TOL ± °		MM	1:1				
		4 PLACES ±	DRWN BY	DATE	SKRAJENDRANA				2011/02/14
		3 PLACES ±	CHKD BY	DATE	MVANSLAMBROU				2011/02/14
		2 PLACES ±	APPR BY	DATE					
	1 PLACE ±	DRAWING SIZE			THIRD ANGLE PROJECTION	SERIES	MATERIAL NUMBER	CUSTOMER	
	0 PLACES ±	DRAFT WHERE APPLICABLE MUST REMAIN WITHIN DIMENSIONS			D	34566	SEE BOM TABLE	GENERAL MARKET	
G55			DOCUMENT NUMBER		DOC TYPE	DOC PART	SHEET NUMBER		
			SD-34566-001		PSD	000	79 OF 98		



STATUS	GM PART #	MATERIAL #	WIRE DRESS OPTION	KEY OPTION	COLOR (TPA)	NUMBERS INDICATE CAVITIES OPEN FOR CIRCUITS F <sub>P</sub>																																																																																				
AVAILABLE	NOT APPLICABLE	34566-7023	0	A	BLACK	<table border="1"> <tr><td>72</td><td>71</td><td>70</td><td>69</td><td>68</td><td></td><td>66</td><td>65</td><td>64</td><td></td><td>61</td><td>60</td><td></td><td>57</td><td>56</td><td></td><td>54</td><td>53</td></tr> <tr><td>52</td><td>51</td><td>50</td><td>49</td><td>48</td><td></td><td>46</td><td>45</td><td>44</td><td>43</td><td></td><td>40</td><td>39</td><td>38</td><td>37</td><td>36</td><td></td><td>34</td><td>33</td></tr> <tr><td colspan="4">73</td><td></td><td></td><td>31</td><td>30</td><td>29</td><td>28</td><td></td><td>26</td><td>25</td><td>23</td><td>22</td><td>21</td><td>20</td><td></td><td></td></tr> <tr><td colspan="4"></td><td></td><td></td><td>15</td><td>14</td><td>13</td><td>12</td><td></td><td></td><td>9</td><td>7</td><td>6</td><td>5</td><td>4</td><td></td><td>2</td></tr> </table>	72	71	70	69	68		66	65	64		61	60		57	56		54	53	52	51	50	49	48		46	45	44	43		40	39	38	37	36		34	33	73						31	30	29	28		26	25	23	22	21	20									15	14	13	12			9	7	6	5	4		2									
72	71	70	69	68		66	65	64		61	60		57	56		54	53																																																																									
52	51	50	49	48		46	45	44	43		40	39	38	37	36		34	33																																																																								
73						31	30	29	28		26	25	23	22	21	20																																																																										
						15	14	13	12			9	7	6	5	4		2																																																																								
AVAILABLE	NOT APPLICABLE	34566-7033	0	A	BLACK	<table border="1"> <tr><td></td><td></td><td>70</td><td>69</td><td></td><td></td><td>65</td><td></td><td>63</td><td>62</td><td>61</td><td>60</td><td></td><td>58</td><td>57</td><td>56</td><td>55</td><td>54</td><td>53</td></tr> <tr><td>52</td><td>51</td><td></td><td>49</td><td></td><td></td><td></td><td>44</td><td>43</td><td>42</td><td>41</td><td></td><td></td><td></td><td>37</td><td>36</td><td></td><td>34</td><td></td></tr> <tr><td colspan="4">73</td><td></td><td></td><td>32</td><td></td><td>29</td><td>28</td><td>27</td><td>26</td><td></td><td></td><td>21</td><td></td><td>19</td><td>18</td><td></td></tr> <tr><td colspan="4"></td><td></td><td></td><td>16</td><td>15</td><td>13</td><td>12</td><td>11</td><td>10</td><td></td><td>8</td><td></td><td>5</td><td></td><td>3</td><td></td></tr> </table>			70	69			65		63	62	61	60		58	57	56	55	54	53	52	51		49				44	43	42	41				37	36		34		73						32		29	28	27	26			21		19	18								16	15	13	12	11	10		8		5		3									
		70	69			65		63	62	61	60		58	57	56	55	54	53																																																																								
52	51		49				44	43	42	41				37	36		34																																																																									
73						32		29	28	27	26			21		19	18																																																																									
						16	15	13	12	11	10		8		5		3																																																																									
AVAILABLE	NOT APPLICABLE	34566-7043	0	B	ST.GRAY	<table border="1"> <tr><td>72</td><td></td><td></td><td></td><td>68</td><td>67</td><td></td><td></td><td></td><td>63</td><td>62</td><td>61</td><td>60</td><td>59</td><td></td><td></td><td></td><td>55</td><td></td></tr> <tr><td>52</td><td></td><td></td><td></td><td></td><td></td><td></td><td>46</td><td></td><td>43</td><td></td><td>41</td><td>40</td><td></td><td></td><td></td><td></td><td>20</td><td>19</td><td>18</td></tr> <tr><td colspan="4">73</td><td></td><td></td><td></td><td></td><td></td><td>27</td><td></td><td></td><td></td><td>8</td><td></td><td></td><td></td><td>4</td><td></td><td></td></tr> <tr><td colspan="4"></td><td></td><td></td><td>16</td><td></td><td>14</td><td></td><td></td><td>11</td><td></td><td></td><td></td><td></td><td></td><td></td><td></td><td></td></tr> </table>	72				68	67				63	62	61	60	59				55		52							46		43		41	40					20	19	18	73									27				8				4									16		14			11													
72				68	67				63	62	61	60	59				55																																																																									
52							46		43		41	40					20	19	18																																																																							
73									27				8				4																																																																									
						16		14			11																																																																															
AVAILABLE	NOT APPLICABLE	34566-7053	0	C	BLUE	<table border="1"> <tr><td></td><td>71</td><td></td><td>69</td><td></td><td>67</td><td></td><td>65</td><td>64</td><td></td><td>62</td><td>61</td><td>60</td><td></td><td></td><td>57</td><td></td><td></td><td>54</td><td></td></tr> <tr><td>52</td><td>51</td><td>50</td><td>49</td><td>48</td><td>47</td><td>46</td><td>45</td><td>44</td><td></td><td>42</td><td>41</td><td></td><td></td><td></td><td>37</td><td></td><td></td><td>34</td><td>33</td></tr> <tr><td colspan="4">73</td><td></td><td></td><td></td><td></td><td></td><td>28</td><td>27</td><td>26</td><td>25</td><td></td><td></td><td></td><td></td><td></td><td></td><td></td><td></td></tr> <tr><td colspan="4"></td><td></td><td></td><td>16</td><td>15</td><td>14</td><td>13</td><td>12</td><td>11</td><td>10</td><td>9</td><td>8</td><td>7</td><td></td><td></td><td></td><td></td><td></td></tr> </table>		71		69		67		65	64		62	61	60			57			54		52	51	50	49	48	47	46	45	44		42	41				37			34	33	73									28	27	26	25															16	15	14	13	12	11	10	9	8	7							
	71		69		67		65	64		62	61	60			57			54																																																																								
52	51	50	49	48	47	46	45	44		42	41				37			34	33																																																																							
73									28	27	26	25																																																																														
						16	15	14	13	12	11	10	9	8	7																																																																											
AVAILABLE	NOT APPLICABLE	34566-7063	0	C	BLUE	<table border="1"> <tr><td>72</td><td></td><td>70</td><td></td><td>68</td><td>67</td><td>66</td><td></td><td></td><td>63</td><td>62</td><td></td><td></td><td>59</td><td></td><td>57</td><td></td><td></td><td></td><td>53</td></tr> <tr><td>52</td><td>51</td><td></td><td></td><td>48</td><td>47</td><td>46</td><td></td><td>44</td><td></td><td></td><td></td><td>40</td><td>39</td><td></td><td></td><td></td><td></td><td>34</td><td>33</td></tr> <tr><td colspan="4">73</td><td></td><td></td><td>32</td><td></td><td>30</td><td></td><td></td><td>26</td><td>25</td><td></td><td></td><td>22</td><td>21</td><td></td><td></td><td></td></tr> <tr><td colspan="4"></td><td></td><td></td><td>15</td><td>14</td><td>13</td><td></td><td></td><td>10</td><td>9</td><td></td><td></td><td>6</td><td>5</td><td>4</td><td></td><td></td></tr> </table>	72		70		68	67	66			63	62			59		57				53	52	51			48	47	46		44				40	39					34	33	73						32		30			26	25			22	21										15	14	13			10	9			6	5	4						
72		70		68	67	66			63	62			59		57				53																																																																							
52	51			48	47	46		44				40	39					34	33																																																																							
73						32		30			26	25			22	21																																																																										
						15	14	13			10	9			6	5	4																																																																									
AVAILABLE	NOT APPLICABLE	34566-7073	9	F	NATURAL	<table border="1"> <tr><td></td><td></td><td></td><td>69</td><td>68</td><td></td><td></td><td></td><td></td><td></td><td></td><td></td><td></td><td></td><td>58</td><td>57</td><td></td><td></td><td></td><td></td></tr> <tr><td></td><td></td><td></td><td></td><td></td><td></td><td></td><td></td><td></td><td>43</td><td>42</td><td></td><td></td><td></td><td>38</td><td>37</td><td></td><td></td><td></td><td>33</td></tr> <tr><td colspan="4">73</td><td></td><td></td><td></td><td>30</td><td></td><td></td><td></td><td></td><td></td><td></td><td></td><td></td><td></td><td>19</td><td>18</td><td>17</td></tr> <tr><td colspan="4"></td><td></td><td></td><td></td><td></td><td></td><td></td><td></td><td></td><td></td><td></td><td></td><td></td><td></td><td>3</td><td>2</td><td>1</td></tr> </table>				69	68										58	57														43	42				38	37				33	73							30										19	18	17																		3	2	1				
			69	68										58	57																																																																											
									43	42				38	37				33																																																																							
73							30										19	18	17																																																																							
																	3	2	1																																																																							
AVAILABLE	NOT APPLICABLE	34566-7083	9	B	ST.GRAY	<table border="1"> <tr><td></td><td></td><td></td><td></td><td></td><td></td><td></td><td></td><td></td><td></td><td></td><td></td><td></td><td></td><td></td><td></td><td></td><td></td><td></td><td></td></tr> <tr><td colspan="4">73</td><td></td><td></td><td></td><td></td><td></td><td></td><td></td><td></td><td></td><td></td><td></td><td></td><td></td><td></td><td></td><td></td><td></td></tr> <tr><td colspan="4"></td><td></td><td></td><td>16</td><td>15</td><td>14</td><td>13</td><td>12</td><td>11</td><td>10</td><td></td><td>8</td><td>7</td><td></td><td></td><td></td><td>3</td><td>2</td><td>1</td></tr> </table>																					73																											16	15	14	13	12	11	10		8	7				3	2	1																					
73																																																																																										
						16	15	14	13	12	11	10		8	7				3	2	1																																																																					
AVAILABLE	NOT APPLICABLE	34566-7093	9	B	ST.GRAY	<table border="1"> <tr><td>72</td><td>71</td><td>70</td><td>69</td><td>68</td><td>67</td><td>66</td><td>65</td><td>64</td><td>63</td><td></td><td></td><td></td><td>59</td><td></td><td></td><td></td><td></td><td></td><td>53</td></tr> <tr><td>52</td><td>51</td><td>50</td><td>49</td><td>48</td><td>47</td><td>46</td><td>45</td><td>44</td><td>43</td><td></td><td></td><td></td><td>39</td><td></td><td></td><td></td><td></td><td></td><td>34</td><td>33</td></tr> <tr><td colspan="4">73</td><td></td><td></td><td>32</td><td>31</td><td>30</td><td>29</td><td>28</td><td>27</td><td>26</td><td>25</td><td>24</td><td>23</td><td></td><td></td><td></td><td></td><td>17</td></tr> <tr><td colspan="4"></td><td></td><td></td><td>16</td><td>15</td><td>14</td><td>13</td><td>12</td><td>11</td><td>10</td><td></td><td>8</td><td>7</td><td></td><td></td><td></td><td>3</td><td>2</td><td>1</td></tr> </table>	72	71	70	69	68	67	66	65	64	63				59						53	52	51	50	49	48	47	46	45	44	43				39						34	33	73						32	31	30	29	28	27	26	25	24	23					17							16	15	14	13	12	11	10		8	7				3	2	1
72	71	70	69	68	67	66	65	64	63				59						53																																																																							
52	51	50	49	48	47	46	45	44	43				39						34	33																																																																						
73						32	31	30	29	28	27	26	25	24	23					17																																																																						
						16	15	14	13	12	11	10		8	7				3	2	1																																																																					
AVAILABLE	NOT APPLICABLE	34566-7113	9	G	BLUE	<table border="1"> <tr><td>80</td><td>79</td><td>78</td><td></td><td>76</td><td></td><td></td><td></td><td></td><td></td><td>71</td><td></td><td></td><td></td><td>67</td><td></td><td></td><td></td><td></td><td></td></tr> <tr><td>60</td><td>59</td><td>58</td><td>57</td><td></td><td></td><td>54</td><td></td><td></td><td></td><td>51</td><td>50</td><td>49</td><td>48</td><td>47</td><td></td><td></td><td>44</td><td></td><td>41</td></tr> <tr><td>40</td><td>39</td><td></td><td>37</td><td></td><td></td><td></td><td>33</td><td>32</td><td></td><td>30</td><td>29</td><td>28</td><td>27</td><td></td><td></td><td>25</td><td>24</td><td></td><td></td></tr> <tr><td>20</td><td>19</td><td>18</td><td></td><td></td><td></td><td></td><td></td><td>12</td><td>11</td><td></td><td></td><td>9</td><td>8</td><td></td><td></td><td>5</td><td></td><td>3</td><td>2</td></tr> </table>	80	79	78		76						71				67						60	59	58	57			54				51	50	49	48	47			44		41	40	39		37				33	32		30	29	28	27			25	24			20	19	18						12	11			9	8			5		3	2				
80	79	78		76						71				67																																																																												
60	59	58	57			54				51	50	49	48	47			44		41																																																																							
40	39		37				33	32		30	29	28	27			25	24																																																																									
20	19	18						12	11			9	8			5		3	2																																																																							

PRE-RELEASE REFERENCE USE ONLY

THIS DRAWING CONTAINS INFORMATION THAT IS PROPRIETARY TO MOLEX ELECTRONIC TECHNOLOGIES, LLC AND SHOULD NOT BE USED WITHOUT WRITTEN PERMISSION									
EC NO: 120083 DRWN: APODDATURI CHKD: REV APPR: VKOSHY	2017/07/13	GENERAL TOLERANCES (UNLESS SPECIFIED)		DIMENSION UNITS	SCALE	  MX123 66/73/80CKT HRNS CONN ASSY  PRODUCT CUSTOMER DRAWING			
	2017/08/08	ANGULAR TOL ± °		MM	1:1				
		4 PLACES ±	DRWN BY	DATE					
		3 PLACES ±	SKRAJENDRANA	2011/02/14					
		2 PLACES ±	CHKD BY	DATE					
	1 PLACE ±	MVANSLAMBROU	2011/02/14						
	0 PLACES ±	APPR BY	DATE						
	DRAFT WHERE APPLICABLE MUST REMAIN WITHIN DIMENSIONS		DRAWING SIZE	THIRD ANGLE PROJECTION					
		D							
G55		SERIES	MATERIAL NUMBER	CUSTOMER					
		34566	SEE BOM TABLE	GENERAL MARKET					
		DOCUMENT NUMBER	DOC TYPE	DOC PART	SHEET NUMBER				
		SD-34566-001	PSD	000	81 OF 98				



STATUS	GM PART #	MATERIAL #	WIRE DRESS OPTION	KEY OPTION	COLOR (TPA)	NUMBERS INDICATE CAVITIES OPEN FOR CIRCUITS F <sub>P</sub>																																																																																		
AVAILABLE	NOT APPLICABLE	34566-7223	0	C	BLUE	<table border="1"> <tr><td>72</td><td></td><td>70</td><td></td><td>68</td><td></td><td>66</td><td></td><td></td><td>63</td><td>62</td><td></td><td></td><td>59</td><td></td><td>57</td><td></td><td></td><td></td><td>53</td></tr> <tr><td>52</td><td>51</td><td></td><td></td><td>48</td><td>47</td><td>46</td><td></td><td>44</td><td></td><td>42</td><td></td><td>40</td><td>39</td><td></td><td>37</td><td>36</td><td></td><td>34</td><td>33</td></tr> <tr><td colspan="4">73</td><td></td><td></td><td>32</td><td></td><td>30</td><td></td><td></td><td>26</td><td>25</td><td>24</td><td></td><td>22</td><td>21</td><td>20</td><td></td><td></td></tr> <tr><td colspan="4"></td><td></td><td></td><td>15</td><td>14</td><td>13</td><td></td><td></td><td>10</td><td>9</td><td>8</td><td></td><td>6</td><td>5</td><td>4</td><td></td><td>2</td></tr> </table>	72		70		68		66			63	62			59		57				53	52	51			48	47	46		44		42		40	39		37	36		34	33	73						32		30			26	25	24		22	21	20									15	14	13			10	9	8		6	5	4		2		
72		70		68		66			63	62			59		57				53																																																																					
52	51			48	47	46		44		42		40	39		37	36		34	33																																																																					
73						32		30			26	25	24		22	21	20																																																																							
						15	14	13			10	9	8		6	5	4		2																																																																					
AVAILABLE	NOT APPLICABLE	34566-7233	9	A	BLACK	<table border="1"> <tr><td>72</td><td></td><td></td><td></td><td></td><td></td><td></td><td></td><td></td><td></td><td>62</td><td>61</td><td></td><td></td><td></td><td>57</td><td>56</td><td>55</td><td>54</td></tr> <tr><td>52</td><td>51</td><td></td><td></td><td></td><td></td><td>46</td><td>45</td><td></td><td>43</td><td></td><td></td><td>40</td><td></td><td></td><td>37</td><td></td><td>35</td><td>34</td></tr> <tr><td colspan="4">73</td><td></td><td></td><td>32</td><td></td><td>30</td><td>29</td><td></td><td></td><td>25</td><td></td><td></td><td></td><td>20</td><td></td><td></td><td></td></tr> <tr><td colspan="4"></td><td></td><td></td><td>16</td><td>15</td><td></td><td>13</td><td></td><td>11</td><td>10</td><td>9</td><td></td><td></td><td>4</td><td></td><td></td><td></td></tr> </table>	72										62	61				57	56	55	54	52	51					46	45		43			40			37		35	34	73						32		30	29			25				20										16	15		13		11	10	9			4							
72										62	61				57	56	55	54																																																																						
52	51					46	45		43			40			37		35	34																																																																						
73						32		30	29			25				20																																																																								
						16	15		13		11	10	9			4																																																																								
AVAILABLE	NOT APPLICABLE	34566-7243	9	A	BLACK	<table border="1"> <tr><td>72</td><td></td><td></td><td></td><td></td><td></td><td></td><td></td><td></td><td></td><td>62</td><td>61</td><td></td><td></td><td>58</td><td>57</td><td>56</td><td>55</td><td>54</td></tr> <tr><td>52</td><td>51</td><td></td><td></td><td></td><td></td><td>48</td><td></td><td>46</td><td>45</td><td></td><td>43</td><td>41</td><td>40</td><td></td><td>37</td><td></td><td>35</td><td>34</td></tr> <tr><td colspan="4">73</td><td></td><td></td><td>32</td><td></td><td>30</td><td>29</td><td></td><td></td><td>25</td><td></td><td></td><td></td><td>20</td><td></td><td></td><td></td></tr> <tr><td colspan="4"></td><td></td><td></td><td>16</td><td>15</td><td></td><td>13</td><td></td><td>11</td><td>10</td><td>9</td><td></td><td></td><td>4</td><td>3</td><td></td><td></td></tr> </table>	72										62	61			58	57	56	55	54	52	51					48		46	45		43	41	40		37		35	34	73						32		30	29			25				20										16	15		13		11	10	9			4	3						
72										62	61			58	57	56	55	54																																																																						
52	51					48		46	45		43	41	40		37		35	34																																																																						
73						32		30	29			25				20																																																																								
						16	15		13		11	10	9			4	3																																																																							
AVAILABLE	NOT APPLICABLE	34822-0073	0	A	BLACK	<table border="1"> <tr><td></td><td>63</td><td>62</td><td>61</td><td>60</td><td>59</td><td></td><td></td><td></td><td></td><td>54</td><td>53</td><td>51</td><td></td><td>49</td><td></td><td></td><td></td><td>66</td></tr> <tr><td></td><td>47</td><td></td><td></td><td></td><td></td><td></td><td></td><td></td><td></td><td>38</td><td>37</td><td>35</td><td></td><td>33</td><td></td><td></td><td></td><td></td></tr> <tr><td colspan="4">65</td><td></td><td></td><td></td><td></td><td></td><td>28</td><td></td><td>25</td><td></td><td></td><td>22</td><td>21</td><td>20</td><td>19</td><td>18</td><td>17</td></tr> <tr><td colspan="4"></td><td></td><td></td><td>15</td><td>14</td><td>13</td><td></td><td></td><td></td><td>8</td><td>7</td><td></td><td></td><td></td><td>3</td><td>2</td><td>1</td></tr> </table>		63	62	61	60	59					54	53	51		49				66		47									38	37	35		33					65									28		25			22	21	20	19	18	17							15	14	13				8	7				3	2	1				
	63	62	61	60	59					54	53	51		49				66																																																																						
	47									38	37	35		33																																																																										
65									28		25			22	21	20	19	18	17																																																																					
						15	14	13				8	7				3	2	1																																																																					
AVAILABLE	NOT APPLICABLE	34822-0083	9	A	BLACK	<table border="1"> <tr><td></td><td>63</td><td>62</td><td>61</td><td>60</td><td>59</td><td></td><td></td><td></td><td></td><td>54</td><td>53</td><td>51</td><td></td><td>49</td><td></td><td></td><td></td><td>66</td></tr> <tr><td></td><td>47</td><td></td><td></td><td></td><td></td><td></td><td></td><td></td><td></td><td>39</td><td>38</td><td>37</td><td>35</td><td>33</td><td></td><td></td><td></td><td></td></tr> <tr><td colspan="4">65</td><td></td><td></td><td></td><td></td><td></td><td>28</td><td></td><td>25</td><td></td><td></td><td>22</td><td>21</td><td>20</td><td>19</td><td>18</td><td>17</td></tr> <tr><td colspan="4"></td><td></td><td></td><td>15</td><td>14</td><td>13</td><td></td><td></td><td></td><td>8</td><td>7</td><td></td><td></td><td></td><td>3</td><td>2</td><td>1</td></tr> </table>		63	62	61	60	59					54	53	51		49				66		47									39	38	37	35	33					65									28		25			22	21	20	19	18	17							15	14	13				8	7				3	2	1				
	63	62	61	60	59					54	53	51		49				66																																																																						
	47									39	38	37	35	33																																																																										
65									28		25			22	21	20	19	18	17																																																																					
						15	14	13				8	7				3	2	1																																																																					
AVAILABLE	NOT APPLICABLE	34566-7253	0	B	ST.GRAY	<table border="1"> <tr><td>72</td><td></td><td></td><td></td><td></td><td></td><td></td><td></td><td></td><td></td><td>62</td><td>61</td><td></td><td></td><td></td><td></td><td></td><td></td><td></td><td></td></tr> <tr><td>52</td><td></td><td></td><td></td><td>48</td><td>47</td><td>46</td><td></td><td>44</td><td>43</td><td></td><td>41</td><td>40</td><td></td><td></td><td></td><td></td><td>20</td><td>19</td><td>18</td></tr> <tr><td colspan="4">73</td><td></td><td></td><td>30</td><td></td><td></td><td></td><td></td><td></td><td></td><td></td><td></td><td></td><td></td><td>4</td><td></td><td></td></tr> <tr><td colspan="4"></td><td></td><td></td><td>16</td><td></td><td>14</td><td></td><td></td><td></td><td></td><td></td><td></td><td></td><td></td><td></td><td></td><td></td></tr> </table>	72										62	61									52				48	47	46		44	43		41	40					20	19	18	73						30											4									16		14													
72										62	61																																																																													
52				48	47	46		44	43		41	40					20	19	18																																																																					
73						30											4																																																																							
						16		14																																																																																
AVAILABLE	NOT APPLICABLE	34566-7263	0	C	BLUE	<table border="1"> <tr><td></td><td></td><td></td><td>69</td><td></td><td>67</td><td>66</td><td></td><td>64</td><td></td><td>62</td><td>60</td><td></td><td></td><td>57</td><td></td><td>54</td><td></td><td></td><td></td></tr> <tr><td>52</td><td>51</td><td>50</td><td></td><td>48</td><td></td><td>46</td><td>45</td><td>44</td><td></td><td>42</td><td></td><td></td><td></td><td>37</td><td></td><td>34</td><td>33</td><td></td><td></td></tr> <tr><td colspan="4">73</td><td></td><td></td><td></td><td></td><td>28</td><td>27</td><td>26</td><td></td><td></td><td></td><td></td><td></td><td></td><td>18</td><td></td><td></td><td></td></tr> <tr><td colspan="4"></td><td></td><td></td><td>16</td><td>15</td><td>14</td><td>13</td><td>12</td><td>11</td><td>10</td><td>9</td><td>8</td><td>7</td><td></td><td></td><td></td><td></td><td></td></tr> </table>				69		67	66		64		62	60			57		54				52	51	50		48		46	45	44		42				37		34	33			73								28	27	26							18										16	15	14	13	12	11	10	9	8	7					
			69		67	66		64		62	60			57		54																																																																								
52	51	50		48		46	45	44		42				37		34	33																																																																							
73								28	27	26							18																																																																							
						16	15	14	13	12	11	10	9	8	7																																																																									
AVAILABLE	NOT APPLICABLE	34566-7273	0	C	BLUE	<table border="1"> <tr><td></td><td></td><td></td><td>69</td><td></td><td>67</td><td>66</td><td></td><td>64</td><td></td><td>62</td><td>60</td><td></td><td></td><td>57</td><td></td><td>55</td><td>54</td><td></td><td></td></tr> <tr><td>52</td><td>51</td><td>50</td><td></td><td>48</td><td></td><td>46</td><td>45</td><td>44</td><td></td><td>42</td><td></td><td></td><td></td><td>37</td><td></td><td>35</td><td>34</td><td>33</td><td></td></tr> <tr><td colspan="4">73</td><td></td><td></td><td>32</td><td></td><td>28</td><td>27</td><td>26</td><td></td><td></td><td></td><td></td><td></td><td></td><td>19</td><td>18</td><td>17</td><td></td></tr> <tr><td colspan="4"></td><td></td><td></td><td>16</td><td>15</td><td>14</td><td>13</td><td>12</td><td>11</td><td>10</td><td>9</td><td>8</td><td>7</td><td></td><td></td><td></td><td></td><td></td></tr> </table>				69		67	66		64		62	60			57		55	54			52	51	50		48		46	45	44		42				37		35	34	33		73						32		28	27	26							19	18	17								16	15	14	13	12	11	10	9	8	7					
			69		67	66		64		62	60			57		55	54																																																																							
52	51	50		48		46	45	44		42				37		35	34	33																																																																						
73						32		28	27	26							19	18	17																																																																					
						16	15	14	13	12	11	10	9	8	7																																																																									
AVAILABLE	NOT APPLICABLE	34566-7283	0	C	BLUE	<table border="1"> <tr><td></td><td></td><td></td><td>69</td><td></td><td>67</td><td>66</td><td></td><td>64</td><td></td><td>61</td><td>60</td><td></td><td></td><td>57</td><td></td><td>54</td><td></td><td></td><td></td></tr> <tr><td>52</td><td>51</td><td>50</td><td>49</td><td>48</td><td></td><td>46</td><td>45</td><td>44</td><td></td><td>41</td><td></td><td></td><td></td><td>37</td><td></td><td>34</td><td>33</td><td></td><td></td></tr> <tr><td colspan="4">73</td><td></td><td></td><td></td><td></td><td>28</td><td>27</td><td>25</td><td></td><td></td><td></td><td></td><td></td><td></td><td>18</td><td></td><td></td><td></td></tr> <tr><td colspan="4"></td><td></td><td></td><td>16</td><td>15</td><td>14</td><td>13</td><td>12</td><td>11</td><td>10</td><td>9</td><td>8</td><td>7</td><td></td><td></td><td></td><td></td><td></td></tr> </table>				69		67	66		64		61	60			57		54				52	51	50	49	48		46	45	44		41				37		34	33			73								28	27	25							18										16	15	14	13	12	11	10	9	8	7					
			69		67	66		64		61	60			57		54																																																																								
52	51	50	49	48		46	45	44		41				37		34	33																																																																							
73								28	27	25							18																																																																							
						16	15	14	13	12	11	10	9	8	7																																																																									

PRE-RELEASE  
REFERENCE  
USE ONLY

EC NO: 120083 DRWN: APODDATURI CHKD: REV APPR: VKOSHY		2017/07/13    2017/08/08	GENERAL TOLERANCES (UNLESS SPECIFIED) ANGULAR TOL ± ° 4 PLACES ± 3 PLACES ± 2 PLACES ± 1 PLACE ± 0 PLACES ± DRAFT WHERE APPLICABLE MUST REMAIN WITHIN DIMENSIONS	DIMENSION UNITS: MM SCALE: 1:1 DRWN BY: SKRAJENDRANA DATE: 2011/02/14 CHKD BY: MVANSLAMBROU DATE: 2011/02/14 APPR BY: DATE:	THIS DRAWING CONTAINS INFORMATION THAT IS PROPRIETARY TO MOLEX ELECTRONIC TECHNOLOGIES, LLC AND SHOULD NOT BE USED WITHOUT WRITTEN PERMISSION
G55			D 		MX123 66/73/80CKT HRNS CONN ASSY PRODUCT CUSTOMER DRAWING
SERIES: 34566 MATERIAL NUMBER: SEE BOM TABLE CUSTOMER: GENERAL MARKET		DOCUMENT NUMBER: SD-34566-001 DOC TYPE: PSD DOC PART: 000 SHEET NUMBER: 83 OF 98			





STATUS	GM PART #	MATERIAL #	WIRE DRESS OPTION	KEY OPTION	COLOR (TPA)	NUMBERS INDICATE CAVITIES OPEN FOR CIRCUITS Fp																																																																																				
AVAILABLE	NOT APPLICABLE	34566-7493	0	C	BLUE	<table border="1"> <tr><td></td><td></td><td></td><td>69</td><td></td><td>67</td><td></td><td></td><td>64</td><td></td><td>62</td><td></td><td>60</td><td></td><td></td><td>57</td><td>55</td><td>54</td><td></td></tr> <tr><td>52</td><td>51</td><td>50</td><td></td><td>48</td><td>47</td><td>46</td><td>45</td><td>44</td><td></td><td>42</td><td></td><td></td><td></td><td></td><td>37</td><td>35</td><td>34</td><td>33</td></tr> <tr><td colspan="3">73</td><td></td><td>32</td><td></td><td></td><td></td><td>28</td><td>27</td><td>26</td><td></td><td></td><td></td><td></td><td></td><td>19</td><td>18</td><td>17</td></tr> <tr><td></td><td></td><td></td><td></td><td>16</td><td>15</td><td>14</td><td>13</td><td>12</td><td>11</td><td>10</td><td>9</td><td>8</td><td>7</td><td></td><td></td><td></td><td></td><td></td></tr> </table>				69		67			64		62		60			57	55	54		52	51	50		48	47	46	45	44		42					37	35	34	33	73				32				28	27	26						19	18	17					16	15	14	13	12	11	10	9	8	7													
			69		67			64		62		60			57	55	54																																																																									
52	51	50		48	47	46	45	44		42					37	35	34	33																																																																								
73				32				28	27	26						19	18	17																																																																								
				16	15	14	13	12	11	10	9	8	7																																																																													
AVAILABLE	NOT APPLICABLE	34566-7513	9	A	BLACK	<table border="1"> <tr><td>72</td><td>71</td><td>70</td><td>69</td><td>68</td><td></td><td>66</td><td>65</td><td>64</td><td>63</td><td></td><td>61</td><td>60</td><td></td><td></td><td>57</td><td>56</td><td></td><td>54</td><td>53</td></tr> <tr><td>52</td><td>51</td><td>50</td><td>49</td><td>48</td><td></td><td>46</td><td>45</td><td>44</td><td>43</td><td></td><td></td><td>40</td><td>39</td><td>38</td><td>37</td><td>36</td><td></td><td>34</td><td>33</td></tr> <tr><td colspan="3">73</td><td></td><td>32</td><td>31</td><td>30</td><td>29</td><td>28</td><td></td><td></td><td></td><td></td><td>23</td><td>22</td><td>21</td><td>20</td><td></td><td></td><td></td></tr> <tr><td></td><td></td><td></td><td></td><td></td><td>15</td><td>14</td><td>13</td><td>12</td><td></td><td></td><td></td><td></td><td>7</td><td>6</td><td>5</td><td>4</td><td></td><td>2</td><td></td></tr> </table>	72	71	70	69	68		66	65	64	63		61	60			57	56		54	53	52	51	50	49	48		46	45	44	43			40	39	38	37	36		34	33	73				32	31	30	29	28					23	22	21	20									15	14	13	12					7	6	5	4		2					
72	71	70	69	68		66	65	64	63		61	60			57	56		54	53																																																																							
52	51	50	49	48		46	45	44	43			40	39	38	37	36		34	33																																																																							
73				32	31	30	29	28					23	22	21	20																																																																										
					15	14	13	12					7	6	5	4		2																																																																								
AVAILABLE	NOT APPLICABLE	34566-7523	0	A	BLACK	<table border="1"> <tr><td>72</td><td></td><td></td><td></td><td></td><td></td><td></td><td></td><td>64</td><td></td><td>62</td><td>61</td><td></td><td>59</td><td>58</td><td>57</td><td>56</td><td>55</td><td>54</td><td></td></tr> <tr><td>52</td><td>51</td><td></td><td></td><td>48</td><td>47</td><td>46</td><td>45</td><td></td><td>43</td><td>41</td><td>40</td><td></td><td></td><td></td><td></td><td>37</td><td></td><td></td><td>33</td></tr> <tr><td colspan="3">73</td><td></td><td>32</td><td></td><td>30</td><td>29</td><td></td><td>27</td><td>26</td><td>25</td><td>24</td><td></td><td></td><td></td><td>20</td><td></td><td></td><td></td></tr> <tr><td></td><td></td><td></td><td></td><td>16</td><td>15</td><td></td><td>13</td><td></td><td>11</td><td>10</td><td>9</td><td></td><td></td><td></td><td>4</td><td></td><td></td><td></td><td></td></tr> </table>	72								64		62	61		59	58	57	56	55	54		52	51			48	47	46	45		43	41	40					37			33	73				32		30	29		27	26	25	24				20								16	15		13		11	10	9				4								
72								64		62	61		59	58	57	56	55	54																																																																								
52	51			48	47	46	45		43	41	40					37			33																																																																							
73				32		30	29		27	26	25	24				20																																																																										
				16	15		13		11	10	9				4																																																																											
AVAILABLE	NOT APPLICABLE	34566-7533	0	G	BLUE	<table border="1"> <tr><td>80</td><td>79</td><td>78</td><td></td><td></td><td></td><td></td><td></td><td></td><td>71</td><td>70</td><td></td><td></td><td>67</td><td></td><td></td><td></td><td></td><td></td><td></td></tr> <tr><td>60</td><td>59</td><td>58</td><td>57</td><td></td><td></td><td></td><td>54</td><td></td><td></td><td>51</td><td>50</td><td>49</td><td>48</td><td>47</td><td></td><td>45</td><td>44</td><td></td><td>42</td><td>41</td></tr> <tr><td>40</td><td>39</td><td></td><td>37</td><td>36</td><td></td><td></td><td>34</td><td>33</td><td>32</td><td></td><td>30</td><td>29</td><td>28</td><td>27</td><td></td><td>25</td><td>24</td><td>23</td><td>22</td><td>21</td></tr> <tr><td>20</td><td>19</td><td>18</td><td></td><td></td><td></td><td></td><td></td><td>13</td><td>12</td><td>11</td><td></td><td>9</td><td>8</td><td></td><td></td><td>5</td><td>3</td><td>2</td><td>1</td><td></td></tr> </table>	80	79	78							71	70			67							60	59	58	57				54			51	50	49	48	47		45	44		42	41	40	39		37	36			34	33	32		30	29	28	27		25	24	23	22	21	20	19	18						13	12	11		9	8			5	3	2	1		
80	79	78							71	70			67																																																																													
60	59	58	57				54			51	50	49	48	47		45	44		42	41																																																																						
40	39		37	36			34	33	32		30	29	28	27		25	24	23	22	21																																																																						
20	19	18						13	12	11		9	8			5	3	2	1																																																																							
AVAILABLE	NOT APPLICABLE	34566-7543 SAME AS P/N 35466-1553	0	A	BLACK	<table border="1"> <tr><td></td><td></td><td></td><td></td><td></td><td></td><td></td><td></td><td></td><td></td><td></td><td></td><td></td><td></td><td></td><td></td><td></td><td></td><td></td><td></td><td></td></tr> <tr><td colspan="20">73</td></tr> </table>																						73																																																														
73																																																																																										
AVAILABLE	NOT APPLICABLE	34566-7553 SAME AS P/N 35466-1983	0	B	ST.GRAY	<table border="1"> <tr><td></td><td></td><td></td><td></td><td></td><td></td><td></td><td></td><td></td><td></td><td></td><td></td><td></td><td></td><td></td><td></td><td></td><td></td><td></td><td></td><td></td></tr> <tr><td colspan="20">73</td></tr> </table>																						73																																																														
73																																																																																										
AVAILABLE	NOT APPLICABLE	34566-7563	0	C	BLUE	<table border="1"> <tr><td></td><td></td><td></td><td></td><td></td><td></td><td></td><td></td><td></td><td></td><td></td><td></td><td></td><td></td><td></td><td></td><td></td><td></td><td></td><td></td><td></td></tr> <tr><td colspan="20">73</td></tr> </table>																						73																																																														
73																																																																																										
AVAILABLE	NOT APPLICABLE	34566-7573	0	B	ST.GRAY	<table border="1"> <tr><td>72</td><td></td><td>70</td><td></td><td>68</td><td></td><td></td><td></td><td></td><td></td><td>62</td><td>61</td><td></td><td></td><td></td><td></td><td></td><td></td><td></td><td>55</td><td></td></tr> <tr><td>52</td><td></td><td></td><td></td><td>48</td><td>47</td><td>46</td><td></td><td></td><td>43</td><td></td><td></td><td>40</td><td></td><td></td><td></td><td></td><td></td><td></td><td></td><td></td></tr> <tr><td colspan="3">73</td><td></td><td></td><td>30</td><td></td><td></td><td></td><td></td><td></td><td></td><td></td><td></td><td></td><td>22</td><td>21</td><td>20</td><td>19</td><td>18</td><td>17</td></tr> <tr><td></td><td></td><td></td><td></td><td>16</td><td>15</td><td>14</td><td></td><td></td><td></td><td></td><td>8</td><td></td><td>6</td><td></td><td></td><td>4</td><td></td><td></td><td></td><td></td></tr> </table>	72		70		68						62	61								55		52				48	47	46			43			40									73					30										22	21	20	19	18	17					16	15	14					8		6			4				
72		70		68						62	61								55																																																																							
52				48	47	46			43			40																																																																														
73					30										22	21	20	19	18	17																																																																						
				16	15	14					8		6			4																																																																										
AVAILABLE	NOT APPLICABLE	34566-7583	9	A	BLACK	<table border="1"> <tr><td>72</td><td></td><td>70</td><td></td><td></td><td>67</td><td></td><td></td><td></td><td>63</td><td></td><td></td><td>60</td><td>59</td><td>58</td><td>57</td><td></td><td></td><td></td><td></td><td></td></tr> <tr><td>52</td><td></td><td></td><td></td><td>48</td><td>47</td><td>46</td><td></td><td></td><td>43</td><td>42</td><td></td><td>40</td><td>39</td><td>38</td><td>37</td><td></td><td></td><td></td><td></td><td></td></tr> <tr><td colspan="3">73</td><td></td><td>32</td><td>31</td><td>30</td><td>29</td><td>28</td><td>27</td><td></td><td></td><td></td><td></td><td></td><td>22</td><td>21</td><td></td><td></td><td></td><td></td></tr> <tr><td></td><td></td><td></td><td></td><td>16</td><td>15</td><td>14</td><td>13</td><td>12</td><td>11</td><td></td><td>9</td><td></td><td>7</td><td></td><td></td><td></td><td></td><td></td><td>2</td><td>1</td></tr> </table>	72		70			67				63			60	59	58	57						52				48	47	46			43	42		40	39	38	37						73				32	31	30	29	28	27						22	21									16	15	14	13	12	11		9		7						2	1
72		70			67				63			60	59	58	57																																																																											
52				48	47	46			43	42		40	39	38	37																																																																											
73				32	31	30	29	28	27						22	21																																																																										
				16	15	14	13	12	11		9		7						2	1																																																																						

PRE-RELEASE  
REFERENCE  
USE ONLY

THIS DRAWING CONTAINS INFORMATION THAT IS PROPRIETARY TO MOLEX ELECTRONIC TECHNOLOGIES, LLC AND SHOULD NOT BE USED WITHOUT WRITTEN PERMISSION							
EC NO: 120093 DRWN: APODDATURI CHKD: REV APPR: VKOSHY	2017/07/13	2017/08/08	GENERAL TOLERANCES (UNLESS SPECIFIED)		DIMENSION UNITS	SCALE	
			ANGULAR TOL ± °		MM	1:1	
	4 PLACES ±		SKRAJENDRANA		DRWN BY	DATE	
	3 PLACES ±		MVANSLAMBROU		CHKD BY	DATE	
	2 PLACES ±				APPR BY	DATE	
1 PLACE ±						PRODUCT CUSTOMER DRAWING	
0 PLACES ±						SERIES MATERIAL NUMBER CUSTOMER	
DRAFT WHERE APPLICABLE MUST REMAIN WITHIN DIMENSIONS				D	THIRD ANGLE PROJECTION		34566 SEE BOM TABLE GENERAL MARKET
G55				DOCUMENT NUMBER		DOC TYPE	DOC PART SHEET NUMBER
				SD-34566-001		PSD	000 86 OF 98



STATUS	GM PART #	MATERIAL #	WIRE DRESS OPTION	KEY OPTION	COLOR (TPA)	NUMBERS INDICATE CAVITIES OPEN FOR CIRCUITS F <sub>P</sub>																																																																																			
AVAILABLE	NOT APPLICABLE	34566-7593	9	A	BLACK	<table border="1"> <tr><td>72</td><td></td><td>70</td><td>69</td><td>68</td><td></td><td></td><td></td><td>64</td><td></td><td>62</td><td>61</td><td></td><td>59</td><td>58</td><td>57</td><td>56</td><td>55</td><td>54</td><td>53</td></tr> <tr><td>52</td><td>51</td><td>50</td><td></td><td>48</td><td>47</td><td>46</td><td>45</td><td></td><td>43</td><td></td><td>41</td><td>40</td><td></td><td></td><td>37</td><td></td><td>35</td><td></td><td>33</td></tr> <tr><td colspan="4">73</td><td>32</td><td>30</td><td>29</td><td></td><td>27</td><td>26</td><td>25</td><td>24</td><td></td><td></td><td></td><td></td><td>20</td><td>19</td><td>18</td><td></td></tr> <tr><td colspan="4"></td><td>16</td><td>15</td><td>14</td><td>13</td><td>12</td><td>11</td><td>10</td><td>9</td><td>8</td><td></td><td></td><td>5</td><td>4</td><td>3</td><td>2</td><td>1</td></tr> </table>	72		70	69	68				64		62	61		59	58	57	56	55	54	53	52	51	50		48	47	46	45		43		41	40			37		35		33	73				32	30	29		27	26	25	24					20	19	18						16	15	14	13	12	11	10	9	8			5	4	3	2	1			
72		70	69	68				64		62	61		59	58	57	56	55	54	53																																																																						
52	51	50		48	47	46	45		43		41	40			37		35		33																																																																						
73				32	30	29		27	26	25	24					20	19	18																																																																							
				16	15	14	13	12	11	10	9	8			5	4	3	2	1																																																																						
AVAILABLE	NOT APPLICABLE	34822-0093	9	A	BLACK	<table border="1"> <tr><td>63</td><td>62</td><td>61</td><td>60</td><td>59</td><td></td><td></td><td></td><td></td><td>54</td><td>53</td><td></td><td>51</td><td></td><td>49</td><td colspan="5">66</td></tr> <tr><td>47</td><td></td><td></td><td></td><td></td><td></td><td></td><td></td><td></td><td>38</td><td>37</td><td></td><td>35</td><td></td><td>33</td><td></td><td></td><td></td><td></td><td></td></tr> <tr><td colspan="4">65</td><td></td><td></td><td></td><td></td><td>28</td><td></td><td></td><td>25</td><td></td><td>22</td><td>21</td><td>20</td><td>19</td><td>18</td><td>17</td><td></td></tr> <tr><td colspan="4"></td><td></td><td>15</td><td>14</td><td>13</td><td></td><td></td><td></td><td></td><td>8</td><td>7</td><td></td><td></td><td></td><td>3</td><td>2</td><td>1</td></tr> </table>	63	62	61	60	59					54	53		51		49	66					47									38	37		35		33						65								28			25		22	21	20	19	18	17							15	14	13					8	7				3	2	1			
63	62	61	60	59					54	53		51		49	66																																																																										
47									38	37		35		33																																																																											
65								28			25		22	21	20	19	18	17																																																																							
					15	14	13					8	7				3	2	1																																																																						
AVAILABLE	NOT APPLICABLE	34822-0103	0	A	BLACK	<table border="1"> <tr><td>63</td><td></td><td></td><td></td><td></td><td></td><td>58</td><td>57</td><td>56</td><td>55</td><td>54</td><td>53</td><td></td><td>51</td><td></td><td>49</td><td colspan="5">66</td></tr> <tr><td></td><td></td><td></td><td></td><td></td><td></td><td>41</td><td>40</td><td></td><td></td><td>38</td><td>37</td><td></td><td>35</td><td></td><td>33</td><td></td><td></td><td></td><td></td></tr> <tr><td colspan="4">65</td><td></td><td></td><td></td><td></td><td></td><td></td><td></td><td>28</td><td>27</td><td>26</td><td>25</td><td></td><td>22</td><td></td><td></td><td>18</td><td>17</td></tr> <tr><td colspan="4"></td><td></td><td></td><td>14</td><td></td><td></td><td></td><td></td><td></td><td></td><td>7</td><td></td><td></td><td></td><td>4</td><td>3</td><td>2</td><td>1</td></tr> </table>	63						58	57	56	55	54	53		51		49	66											41	40			38	37		35		33					65											28	27	26	25		22			18	17							14							7				4	3	2	1
63						58	57	56	55	54	53		51		49	66																																																																									
						41	40			38	37		35		33																																																																										
65											28	27	26	25		22			18	17																																																																					
						14							7				4	3	2	1																																																																					
AVAILABLE	NOT APPLICABLE	34822-0113	9	A	BLACK	<table border="1"> <tr><td></td><td></td><td></td><td>61</td><td>60</td><td>59</td><td>58</td><td></td><td>56</td><td>55</td><td></td><td></td><td></td><td>51</td><td></td><td>49</td><td colspan="5">66</td></tr> <tr><td></td><td></td><td></td><td></td><td></td><td></td><td>42</td><td></td><td></td><td></td><td></td><td></td><td></td><td></td><td></td><td></td><td></td><td></td><td></td><td></td></tr> <tr><td colspan="4">65</td><td></td><td></td><td></td><td></td><td></td><td></td><td></td><td></td><td></td><td></td><td></td><td></td><td></td><td></td><td></td><td></td><td>17</td></tr> <tr><td colspan="4"></td><td></td><td></td><td></td><td></td><td></td><td></td><td></td><td>10</td><td>8</td><td></td><td></td><td></td><td></td><td></td><td></td><td>2</td><td></td></tr> </table>				61	60	59	58		56	55				51		49	66											42														65																				17												10	8							2	
			61	60	59	58		56	55				51		49	66																																																																									
						42																																																																																			
65																				17																																																																					
											10	8							2																																																																						
AVAILABLE	NOT APPLICABLE	34822-0123	9	C	BLUE	<table border="1"> <tr><td>64</td><td>63</td><td>62</td><td>61</td><td>60</td><td></td><td></td><td></td><td></td><td>55</td><td>54</td><td></td><td></td><td></td><td></td><td></td><td colspan="5">66</td></tr> <tr><td>48</td><td>47</td><td>46</td><td>45</td><td></td><td></td><td></td><td>42</td><td></td><td></td><td>39</td><td></td><td></td><td>36</td><td>35</td><td></td><td></td><td></td><td></td><td></td></tr> <tr><td colspan="4">65</td><td></td><td></td><td></td><td>31</td><td></td><td></td><td></td><td>27</td><td></td><td></td><td></td><td></td><td></td><td></td><td>19</td><td></td><td></td></tr> <tr><td colspan="4"></td><td></td><td>16</td><td></td><td></td><td></td><td></td><td></td><td>10</td><td></td><td></td><td>6</td><td></td><td>4</td><td></td><td></td><td></td><td>1</td></tr> </table>	64	63	62	61	60					55	54						66					48	47	46	45				42			39			36	35						65							31				27							19								16						10			6		4				1
64	63	62	61	60					55	54						66																																																																									
48	47	46	45				42			39			36	35																																																																											
65							31				27							19																																																																							
					16						10			6		4				1																																																																					
AVAILABLE	NOT APPLICABLE	34566-7613	9	H	ST.GRAY	<table border="1"> <tr><td>80</td><td>79</td><td>78</td><td></td><td></td><td></td><td>75</td><td></td><td></td><td></td><td>71</td><td>70</td><td></td><td></td><td>67</td><td></td><td></td><td></td><td></td><td></td></tr> <tr><td>60</td><td>59</td><td></td><td>57</td><td></td><td></td><td>54</td><td></td><td></td><td></td><td>51</td><td>50</td><td>49</td><td>48</td><td>47</td><td></td><td>45</td><td>44</td><td></td><td>42</td><td>41</td></tr> <tr><td>40</td><td>39</td><td></td><td>37</td><td>36</td><td></td><td>34</td><td>33</td><td>32</td><td></td><td>30</td><td>29</td><td>28</td><td>27</td><td></td><td>25</td><td>24</td><td>23</td><td>22</td><td>21</td></tr> <tr><td>20</td><td></td><td>18</td><td></td><td></td><td></td><td></td><td>13</td><td>12</td><td>11</td><td></td><td>9</td><td>8</td><td></td><td></td><td>5</td><td></td><td>3</td><td>2</td><td>1</td></tr> </table>	80	79	78				75				71	70			67						60	59		57			54				51	50	49	48	47		45	44		42	41	40	39		37	36		34	33	32		30	29	28	27		25	24	23	22	21	20		18					13	12	11		9	8			5		3	2	1		
80	79	78				75				71	70			67																																																																											
60	59		57			54				51	50	49	48	47		45	44		42	41																																																																					
40	39		37	36		34	33	32		30	29	28	27		25	24	23	22	21																																																																						
20		18					13	12	11		9	8			5		3	2	1																																																																						
AVAILABLE	NOT APPLICABLE	34566-7623	9	G	BLUE	<table border="1"> <tr><td>80</td><td>79</td><td>78</td><td></td><td></td><td></td><td>75</td><td></td><td></td><td></td><td>71</td><td>70</td><td></td><td></td><td>67</td><td></td><td></td><td></td><td></td><td></td></tr> <tr><td>60</td><td>59</td><td>58</td><td>57</td><td></td><td></td><td>54</td><td></td><td></td><td></td><td>51</td><td>50</td><td>49</td><td>48</td><td>47</td><td></td><td>45</td><td>44</td><td></td><td>42</td><td>41</td></tr> <tr><td>40</td><td>39</td><td></td><td>37</td><td>36</td><td></td><td>34</td><td>33</td><td>32</td><td></td><td>30</td><td>29</td><td>28</td><td>27</td><td></td><td>25</td><td>24</td><td>23</td><td>22</td><td>21</td></tr> <tr><td>20</td><td>19</td><td>18</td><td></td><td></td><td></td><td></td><td>13</td><td>12</td><td>11</td><td></td><td>9</td><td>8</td><td></td><td></td><td>5</td><td></td><td>3</td><td>2</td><td>1</td></tr> </table>	80	79	78				75				71	70			67						60	59	58	57			54				51	50	49	48	47		45	44		42	41	40	39		37	36		34	33	32		30	29	28	27		25	24	23	22	21	20	19	18					13	12	11		9	8			5		3	2	1		
80	79	78				75				71	70			67																																																																											
60	59	58	57			54				51	50	49	48	47		45	44		42	41																																																																					
40	39		37	36		34	33	32		30	29	28	27		25	24	23	22	21																																																																						
20	19	18					13	12	11		9	8			5		3	2	1																																																																						
AVAILABLE	NOT APPLICABLE	34822-0133	0	C	BLUE	<table border="1"> <tr><td>64</td><td>63</td><td>62</td><td>61</td><td>60</td><td></td><td></td><td></td><td></td><td>55</td><td>54</td><td></td><td></td><td></td><td></td><td></td><td colspan="5">66</td></tr> <tr><td>48</td><td>47</td><td>46</td><td>45</td><td></td><td></td><td></td><td>42</td><td></td><td></td><td>39</td><td></td><td></td><td>36</td><td>35</td><td></td><td></td><td></td><td></td><td></td></tr> <tr><td colspan="4">65</td><td></td><td></td><td></td><td>31</td><td></td><td></td><td></td><td>27</td><td></td><td></td><td></td><td></td><td></td><td></td><td>19</td><td></td><td></td></tr> <tr><td colspan="4"></td><td></td><td>16</td><td></td><td></td><td></td><td></td><td></td><td>10</td><td></td><td></td><td>6</td><td></td><td>4</td><td></td><td></td><td></td><td>1</td></tr> </table>	64	63	62	61	60					55	54						66					48	47	46	45				42			39			36	35						65							31				27							19								16						10			6		4				1
64	63	62	61	60					55	54						66																																																																									
48	47	46	45				42			39			36	35																																																																											
65							31				27							19																																																																							
					16						10			6		4				1																																																																					
AVAILABLE	NOT APPLICABLE	34566-7633	9	A	BLACK	<table border="1"> <tr><td>72</td><td>71</td><td>70</td><td>69</td><td>68</td><td>67</td><td>66</td><td>65</td><td>64</td><td>63</td><td></td><td></td><td>60</td><td>59</td><td>58</td><td>57</td><td>56</td><td>55</td><td>54</td><td></td></tr> <tr><td>52</td><td>51</td><td>50</td><td>49</td><td>48</td><td>47</td><td>46</td><td>45</td><td>44</td><td>43</td><td>42</td><td>41</td><td>40</td><td>39</td><td>38</td><td>37</td><td>36</td><td>35</td><td>34</td><td></td></tr> <tr><td colspan="4">73</td><td>32</td><td>31</td><td>30</td><td>29</td><td>28</td><td>27</td><td>26</td><td>25</td><td></td><td>23</td><td>22</td><td>21</td><td>20</td><td></td><td>18</td><td>17</td><td></td></tr> <tr><td colspan="4"></td><td>16</td><td>15</td><td>14</td><td>13</td><td>12</td><td>11</td><td></td><td>9</td><td>7</td><td>6</td><td>5</td><td>4</td><td></td><td></td><td>2</td><td>1</td><td></td></tr> </table>	72	71	70	69	68	67	66	65	64	63			60	59	58	57	56	55	54		52	51	50	49	48	47	46	45	44	43	42	41	40	39	38	37	36	35	34		73				32	31	30	29	28	27	26	25		23	22	21	20		18	17						16	15	14	13	12	11		9	7	6	5	4			2	1		
72	71	70	69	68	67	66	65	64	63			60	59	58	57	56	55	54																																																																							
52	51	50	49	48	47	46	45	44	43	42	41	40	39	38	37	36	35	34																																																																							
73				32	31	30	29	28	27	26	25		23	22	21	20		18	17																																																																						
				16	15	14	13	12	11		9	7	6	5	4			2	1																																																																						

PRE-RELEASE  
REFERENCE  
USE ONLY



THIS DRAWING CONTAINS INFORMATION THAT IS PROPRIETARY TO MOLEX ELECTRONIC TECHNOLOGIES, LLC AND SHOULD NOT BE USED WITHOUT WRITTEN PERMISSION											
EC NO: 120093 DRWN: APODDATURI CHKD: REV APPR: VKOSHY	2017/07/13	GENERAL TOLERANCES (UNLESS SPECIFIED) ANGULAR TOL ± ° 4 PLACES ± 3 PLACES ± 2 PLACES ± 1 PLACE ± 0 PLACES ± DRAFT WHERE APPLICABLE MUST REMAIN WITHIN DIMENSIONS	DIMENSION UNITS	SCALE							
	2017/08/08		MM	1:1							
			DRWN BY	DATE							
			SKRAJENDRANA	2011/02/14							
			CHKD BY	DATE							
	MVANSLAMBROU	2011/02/14									
	APPR BY	DATE	PRODUCT CUSTOMER DRAWING								
			SERIES	MATERIAL NUMBER	CUSTOMER						
			34566	SEE BOM TABLE	GENERAL MARKET						
			DRAWING SIZE	THIRD ANGLE PROJECTION	DOCUMENT NUMBER	DOC TYPE	DOC PART	SHEET NUMBER			
			D		SD-34566-001	PSD	000	87 OF 98			



STATUS	GM PART #	MATERIAL #	WIRE DRESS OPTION	KEY OPTION ▽	COLOR (TPA) ▽	NUMBERS INDICATE CAVITIES OPEN FOR CIRCUITS F <sub>p</sub>																																																																																								
AVAILABLE	NOT APPLICABLE	34566-7733	9	A	BLACK	<table border="1"> <tr><td>72</td><td></td><td></td><td></td><td></td><td></td><td></td><td></td><td></td><td></td><td>64</td><td></td><td>62</td><td>61</td><td></td><td></td><td>58</td><td>57</td><td>56</td><td>55</td><td>54</td><td>53</td></tr> <tr><td>52</td><td>51</td><td></td><td></td><td>48</td><td></td><td>46</td><td>45</td><td></td><td></td><td>43</td><td></td><td>41</td><td>40</td><td></td><td></td><td></td><td>37</td><td></td><td></td><td></td><td></td></tr> <tr><td colspan="3">73</td><td>32</td><td></td><td>30</td><td>29</td><td></td><td></td><td>27</td><td></td><td>25</td><td></td><td></td><td></td><td></td><td></td><td>20</td><td></td><td></td><td></td><td></td></tr> <tr><td colspan="3">73</td><td>16</td><td>15</td><td></td><td></td><td>13</td><td></td><td></td><td>11</td><td>10</td><td>9</td><td></td><td></td><td></td><td></td><td>4</td><td>3</td><td></td><td></td><td></td></tr> </table>	72										64		62	61			58	57	56	55	54	53	52	51			48		46	45			43		41	40				37					73			32		30	29			27		25						20					73			16	15			13			11	10	9					4	3			
72										64		62	61			58	57	56	55	54	53																																																																									
52	51			48		46	45			43		41	40				37																																																																													
73			32		30	29			27		25						20																																																																													
73			16	15			13			11	10	9					4	3																																																																												
AVAILABLE	NOT APPLICABLE	34566-7743	0	C	BLUE	<table border="1"> <tr><td>72</td><td></td><td>70</td><td></td><td>68</td><td>67</td><td>66</td><td></td><td></td><td></td><td>63</td><td>62</td><td></td><td></td><td>59</td><td></td><td>57</td><td></td><td></td><td></td><td></td><td>53</td></tr> <tr><td>52</td><td>51</td><td></td><td>49</td><td>48</td><td>47</td><td>46</td><td></td><td></td><td>44</td><td></td><td></td><td>41</td><td>40</td><td>39</td><td></td><td>37</td><td>36</td><td>35</td><td>34</td><td></td><td>33</td></tr> <tr><td colspan="3">73</td><td>32</td><td></td><td>30</td><td></td><td></td><td></td><td>27</td><td>26</td><td>25</td><td>24</td><td></td><td></td><td>22</td><td>21</td><td>20</td><td></td><td></td><td></td><td></td></tr> <tr><td colspan="3">73</td><td></td><td>15</td><td>14</td><td>13</td><td></td><td></td><td></td><td>10</td><td>9</td><td>8</td><td></td><td></td><td>6</td><td>5</td><td>4</td><td></td><td></td><td></td><td>2</td></tr> </table>	72		70		68	67	66				63	62			59		57					53	52	51		49	48	47	46			44			41	40	39		37	36	35	34		33	73			32		30				27	26	25	24			22	21	20					73				15	14	13				10	9	8			6	5	4				2
72		70		68	67	66				63	62			59		57					53																																																																									
52	51		49	48	47	46			44			41	40	39		37	36	35	34		33																																																																									
73			32		30				27	26	25	24			22	21	20																																																																													
73				15	14	13				10	9	8			6	5	4				2																																																																									
AVAILABLE	NOT APPLICABLE	34566-7753	0	A	BLACK	<table border="1"> <tr><td></td><td>71</td><td>70</td><td>69</td><td>68</td><td>67</td><td></td><td></td><td></td><td></td><td>64</td><td>63</td><td>62</td><td>61</td><td>60</td><td>59</td><td>58</td><td>57</td><td>56</td><td>55</td><td>54</td><td>53</td></tr> <tr><td>52</td><td>51</td><td>50</td><td>49</td><td></td><td></td><td></td><td></td><td>45</td><td>44</td><td>43</td><td>42</td><td>41</td><td></td><td></td><td>39</td><td>38</td><td>37</td><td>36</td><td></td><td></td><td>34</td></tr> <tr><td colspan="3">73</td><td>32</td><td>31</td><td></td><td></td><td>29</td><td>28</td><td>27</td><td>26</td><td>25</td><td></td><td></td><td></td><td></td><td></td><td></td><td></td><td>19</td><td>18</td><td></td></tr> <tr><td colspan="3">73</td><td>16</td><td>15</td><td>14</td><td>13</td><td>12</td><td>11</td><td>10</td><td>9</td><td>8</td><td></td><td></td><td></td><td></td><td></td><td></td><td></td><td>3</td><td></td><td></td></tr> </table>		71	70	69	68	67					64	63	62	61	60	59	58	57	56	55	54	53	52	51	50	49					45	44	43	42	41			39	38	37	36			34	73			32	31			29	28	27	26	25								19	18		73			16	15	14	13	12	11	10	9	8								3		
	71	70	69	68	67					64	63	62	61	60	59	58	57	56	55	54	53																																																																									
52	51	50	49					45	44	43	42	41			39	38	37	36			34																																																																									
73			32	31			29	28	27	26	25								19	18																																																																										
73			16	15	14	13	12	11	10	9	8								3																																																																											
AVAILABLE	NOT APPLICABLE	34566-7763	0	F	NATURAL	<table border="1"> <tr><td></td><td></td><td></td><td></td><td></td><td></td><td></td><td></td><td></td><td></td><td></td><td></td><td></td><td></td><td></td><td></td><td></td><td></td><td></td><td></td><td></td><td></td></tr> <tr><td colspan="3">73</td><td></td><td></td><td></td><td></td><td></td><td></td><td></td><td></td><td></td><td></td><td></td><td></td><td></td><td></td><td></td><td></td><td></td><td></td><td></td></tr> </table>																							73																																																																	
73																																																																																														
AVAILABLE	NOT APPLICABLE	34566-7773	0	B	ST.GRAY	<table border="1"> <tr><td>72</td><td></td><td>70</td><td></td><td></td><td></td><td>67</td><td></td><td></td><td></td><td>63</td><td>62</td><td>61</td><td>60</td><td>59</td><td></td><td></td><td></td><td></td><td></td><td></td><td></td></tr> <tr><td>52</td><td></td><td></td><td></td><td></td><td></td><td>46</td><td></td><td></td><td></td><td>43</td><td></td><td>41</td><td>40</td><td></td><td></td><td></td><td></td><td></td><td></td><td></td><td></td></tr> <tr><td colspan="3">73</td><td></td><td></td><td></td><td></td><td></td><td></td><td>27</td><td></td><td></td><td></td><td></td><td></td><td>22</td><td>21</td><td>20</td><td>19</td><td>18</td><td></td><td></td></tr> <tr><td colspan="3">73</td><td>16</td><td></td><td>14</td><td></td><td></td><td></td><td>11</td><td></td><td></td><td></td><td></td><td></td><td>6</td><td></td><td>4</td><td></td><td></td><td></td><td></td></tr> </table>	72		70				67				63	62	61	60	59								52						46				43		41	40									73									27						22	21	20	19	18			73			16		14				11						6		4				
72		70				67				63	62	61	60	59																																																																																
52						46				43		41	40																																																																																	
73									27						22	21	20	19	18																																																																											
73			16		14				11						6		4																																																																													
AVAILABLE	TBD	34822-0153	9	A	BLACK	<table border="1"> <tr><td></td><td>63</td><td>62</td><td>61</td><td>60</td><td>59</td><td></td><td></td><td></td><td></td><td>54</td><td>53</td><td></td><td>51</td><td></td><td>49</td><td></td><td></td><td></td><td></td><td>66</td><td></td></tr> <tr><td></td><td>47</td><td></td><td></td><td></td><td></td><td></td><td></td><td></td><td></td><td>38</td><td>37</td><td></td><td>35</td><td></td><td>33</td><td></td><td></td><td></td><td></td><td></td><td></td></tr> <tr><td colspan="3">65</td><td></td><td></td><td></td><td></td><td></td><td>28</td><td></td><td></td><td>25</td><td></td><td></td><td>22</td><td>21</td><td>20</td><td>19</td><td>18</td><td>17</td><td></td><td></td></tr> <tr><td colspan="3">65</td><td></td><td></td><td>15</td><td>14</td><td>13</td><td></td><td></td><td></td><td></td><td>8</td><td>7</td><td></td><td></td><td></td><td></td><td>3</td><td>2</td><td>1</td><td></td></tr> </table>		63	62	61	60	59					54	53		51		49					66			47									38	37		35		33							65								28			25			22	21	20	19	18	17			65					15	14	13					8	7					3	2	1	
	63	62	61	60	59					54	53		51		49					66																																																																										
	47									38	37		35		33																																																																															
65								28			25			22	21	20	19	18	17																																																																											
65					15	14	13					8	7					3	2	1																																																																										
AVAILABLE	NOT APPLICABLE	34566-7783	0	A	BLACK	<table border="1"> <tr><td>72</td><td>71</td><td>70</td><td>69</td><td>68</td><td></td><td>66</td><td>65</td><td>64</td><td>63</td><td></td><td></td><td>60</td><td></td><td></td><td>57</td><td>56</td><td></td><td></td><td></td><td>54</td></tr> <tr><td>52</td><td>51</td><td>50</td><td>49</td><td>48</td><td></td><td>46</td><td>45</td><td>44</td><td>43</td><td>42</td><td>41</td><td>40</td><td>39</td><td>38</td><td>37</td><td>36</td><td></td><td></td><td></td><td>34</td><td></td></tr> <tr><td colspan="3">73</td><td>32</td><td>31</td><td>30</td><td>29</td><td>28</td><td></td><td></td><td>26</td><td>25</td><td></td><td></td><td>23</td><td>22</td><td>21</td><td></td><td></td><td></td><td></td><td></td></tr> <tr><td colspan="3">73</td><td></td><td></td><td>15</td><td>14</td><td>13</td><td>12</td><td></td><td></td><td>9</td><td>7</td><td>6</td><td>5</td><td></td><td></td><td></td><td></td><td></td><td>2</td><td>1</td></tr> </table>	72	71	70	69	68		66	65	64	63			60			57	56				54	52	51	50	49	48		46	45	44	43	42	41	40	39	38	37	36				34		73			32	31	30	29	28			26	25			23	22	21						73					15	14	13	12			9	7	6	5						2	1	
72	71	70	69	68		66	65	64	63			60			57	56				54																																																																										
52	51	50	49	48		46	45	44	43	42	41	40	39	38	37	36				34																																																																										
73			32	31	30	29	28			26	25			23	22	21																																																																														
73					15	14	13	12			9	7	6	5						2	1																																																																									
AVAILABLE	NOT APPLICABLE	34566-7793	0	A	BLACK	<table border="1"> <tr><td>72</td><td></td><td>70</td><td></td><td></td><td></td><td>67</td><td>66</td><td>65</td><td></td><td>63</td><td></td><td></td><td>60</td><td>59</td><td>58</td><td>57</td><td>56</td><td>55</td><td></td><td></td><td></td></tr> <tr><td>52</td><td>51</td><td></td><td>49</td><td>48</td><td>47</td><td>46</td><td>45</td><td></td><td></td><td>43</td><td>42</td><td></td><td>40</td><td>39</td><td>38</td><td>37</td><td>36</td><td>35</td><td></td><td></td><td></td></tr> <tr><td colspan="3">73</td><td></td><td></td><td></td><td></td><td></td><td></td><td></td><td>28</td><td>27</td><td></td><td></td><td>23</td><td>22</td><td>21</td><td></td><td></td><td></td><td>18</td><td>17</td></tr> <tr><td colspan="3">73</td><td></td><td></td><td></td><td></td><td></td><td></td><td>12</td><td>11</td><td></td><td>9</td><td></td><td></td><td></td><td></td><td></td><td></td><td></td><td>2</td><td>1</td></tr> </table>	72		70				67	66	65		63			60	59	58	57	56	55				52	51		49	48	47	46	45			43	42		40	39	38	37	36	35				73										28	27			23	22	21				18	17	73									12	11		9								2	1
72		70				67	66	65		63			60	59	58	57	56	55																																																																												
52	51		49	48	47	46	45			43	42		40	39	38	37	36	35																																																																												
73										28	27			23	22	21				18	17																																																																									
73									12	11		9								2	1																																																																									
AVAILABLE	NOT APPLICABLE	34566-7813	0	A	BLACK	<table border="1"> <tr><td></td><td></td><td>70</td><td>69</td><td>68</td><td>67</td><td></td><td></td><td></td><td></td><td>63</td><td>62</td><td>61</td><td>60</td><td>59</td><td>58</td><td>57</td><td>56</td><td>55</td><td>54</td><td>53</td><td></td></tr> <tr><td>52</td><td>51</td><td>50</td><td>49</td><td></td><td></td><td></td><td></td><td></td><td>44</td><td>43</td><td>42</td><td>41</td><td>40</td><td>39</td><td>38</td><td>37</td><td>36</td><td></td><td></td><td>34</td><td></td></tr> <tr><td colspan="3">73</td><td>32</td><td></td><td></td><td></td><td></td><td>29</td><td>28</td><td>27</td><td>26</td><td>25</td><td></td><td></td><td></td><td></td><td>21</td><td></td><td>19</td><td>18</td><td></td></tr> <tr><td colspan="3">73</td><td>16</td><td>15</td><td>14</td><td>13</td><td>12</td><td>11</td><td>10</td><td>9</td><td>8</td><td></td><td></td><td></td><td></td><td></td><td>5</td><td>3</td><td></td><td></td><td></td></tr> </table>			70	69	68	67					63	62	61	60	59	58	57	56	55	54	53		52	51	50	49						44	43	42	41	40	39	38	37	36			34		73			32					29	28	27	26	25					21		19	18		73			16	15	14	13	12	11	10	9	8						5	3			
		70	69	68	67					63	62	61	60	59	58	57	56	55	54	53																																																																										
52	51	50	49						44	43	42	41	40	39	38	37	36			34																																																																										
73			32					29	28	27	26	25					21		19	18																																																																										
73			16	15	14	13	12	11	10	9	8						5	3																																																																												

PRE-RELEASE  
REFERENCE  
USE ONLY

THIS DRAWING CONTAINS INFORMATION THAT IS PROPRIETARY TO MOLEX ELECTRONIC TECHNOLOGIES, LLC AND SHOULD NOT BE USED WITHOUT WRITTEN PERMISSION

EC NO: 120083 DRWN: APODDATURI CHKD: REV APPR: VKOSHY	2017/07/13	2017/08/08	GENERAL TOLERANCES (UNLESS SPECIFIED)	DIMENSION UNITS <b>MM</b>	SCALE <b>1:1</b>	 MX123 66/73/80CKT HRNS CONN ASSY  <b>PRODUCT CUSTOMER DRAWING</b>
	ANGULAR TOL ± °		DRWN BY DATE <b>SKRAJENDRANA 2011/02/14</b>			
	4 PLACES ±		CHKD BY DATE <b>MVANSLAMBROU 2011/02/14</b>			
	3 PLACES ±		APPR BY DATE			
	2 PLACES ±		DRAWING SIZE <b>D</b>			
1 PLACE ±		THIRD ANGLE PROJECTION 				
0 PLACES ±		DRAFT WHERE APPLICABLE MUST REMAIN WITHIN DIMENSIONS				SERIES <b>34566</b>
G55		DOCUMENT NUMBER <b>SD-34566-001</b>		DOC TYPE <b>PSD</b>	DOC PART <b>000</b>	CUSTOMER GENERAL MARKET
		SHEET NUMBER <b>89 OF 98</b>				

STATUS	GM PART #	MATERIAL #	WIRE DRESS OPTION	KEY OPTION ▽	COLOR (TPA) ▽	NUMBERS INDICATE CAVITIES OPEN FOR CIRCUITS F <sub>p</sub>																																																																																				
AVAILABLE	NOT APPLICABLE	34566-7823	0	B	ST.GRAY	<table border="1"> <tr><td>72</td><td></td><td></td><td></td><td>68</td><td>67</td><td></td><td></td><td></td><td>63</td><td>62</td><td>61</td><td>60</td><td>59</td><td></td><td></td><td></td><td></td><td></td><td></td><td></td></tr> <tr><td>52</td><td></td><td></td><td></td><td>48</td><td>47</td><td>46</td><td></td><td>44</td><td>43</td><td></td><td>41</td><td>40</td><td></td><td></td><td>38</td><td>37</td><td>36</td><td>35</td><td></td><td></td></tr> <tr><td colspan="4">73</td><td></td><td>30</td><td></td><td></td><td>27</td><td></td><td></td><td></td><td></td><td></td><td></td><td></td><td>20</td><td>19</td><td>18</td><td></td><td></td></tr> <tr><td colspan="4"></td><td>16</td><td>14</td><td></td><td></td><td>11</td><td></td><td></td><td>8</td><td></td><td></td><td></td><td></td><td>4</td><td></td><td></td><td></td><td>1</td></tr> </table>	72				68	67				63	62	61	60	59								52				48	47	46		44	43		41	40			38	37	36	35			73					30			27								20	19	18							16	14			11			8					4				1
72				68	67				63	62	61	60	59																																																																													
52				48	47	46		44	43		41	40			38	37	36	35																																																																								
73					30			27								20	19	18																																																																								
				16	14			11			8					4				1																																																																						
AVAILABLE	NOT APPLICABLE	34566-7833	0	B	ST.GRAY	<table border="1"> <tr><td>72</td><td>71</td><td>70</td><td>69</td><td>68</td><td>67</td><td>66</td><td>65</td><td>64</td><td>63</td><td></td><td>61</td><td>60</td><td>59</td><td></td><td>57</td><td>56</td><td>55</td><td></td><td></td></tr> <tr><td>52</td><td>51</td><td>50</td><td>49</td><td>48</td><td>47</td><td>46</td><td>45</td><td>44</td><td>43</td><td></td><td>41</td><td>40</td><td>39</td><td>38</td><td>37</td><td>36</td><td>35</td><td>34</td><td>33</td></tr> <tr><td colspan="4">73</td><td></td><td>32</td><td>31</td><td>30</td><td>29</td><td>28</td><td></td><td>26</td><td>25</td><td>24</td><td>23</td><td>22</td><td>21</td><td>20</td><td>19</td><td>18</td><td>17</td></tr> <tr><td colspan="4"></td><td>16</td><td>15</td><td>14</td><td>13</td><td>12</td><td></td><td></td><td></td><td>8</td><td>7</td><td>6</td><td>5</td><td>4</td><td>3</td><td>2</td><td>1</td><td></td></tr> </table>	72	71	70	69	68	67	66	65	64	63		61	60	59		57	56	55			52	51	50	49	48	47	46	45	44	43		41	40	39	38	37	36	35	34	33	73					32	31	30	29	28		26	25	24	23	22	21	20	19	18	17					16	15	14	13	12				8	7	6	5	4	3	2	1			
72	71	70	69	68	67	66	65	64	63		61	60	59		57	56	55																																																																									
52	51	50	49	48	47	46	45	44	43		41	40	39	38	37	36	35	34	33																																																																							
73					32	31	30	29	28		26	25	24	23	22	21	20	19	18	17																																																																						
				16	15	14	13	12				8	7	6	5	4	3	2	1																																																																							
AVAILABLE	NOT APPLICABLE	34566-7843	9	C	BLUE	<table border="1"> <tr><td></td><td>71</td><td></td><td></td><td></td><td>67</td><td></td><td>65</td><td>64</td><td></td><td></td><td>62</td><td>61</td><td>60</td><td></td><td>58</td><td>57</td><td></td><td></td><td>54</td></tr> <tr><td>52</td><td>51</td><td>50</td><td>49</td><td>48</td><td>47</td><td></td><td>45</td><td>44</td><td></td><td>42</td><td>41</td><td></td><td></td><td></td><td>38</td><td>37</td><td></td><td></td><td>34</td></tr> <tr><td colspan="4">73</td><td></td><td></td><td></td><td></td><td>28</td><td>27</td><td>26</td><td>25</td><td></td><td></td><td></td><td></td><td></td><td></td><td></td><td>18</td><td></td></tr> <tr><td colspan="4"></td><td>16</td><td>15</td><td>14</td><td>13</td><td>12</td><td>11</td><td>10</td><td>9</td><td></td><td></td><td></td><td></td><td></td><td></td><td></td><td></td><td></td></tr> </table>		71				67		65	64			62	61	60		58	57			54	52	51	50	49	48	47		45	44		42	41				38	37			34	73								28	27	26	25								18						16	15	14	13	12	11	10	9											
	71				67		65	64			62	61	60		58	57			54																																																																							
52	51	50	49	48	47		45	44		42	41				38	37			34																																																																							
73								28	27	26	25								18																																																																							
				16	15	14	13	12	11	10	9																																																																															
AVAILABLE	NOT APPLICABLE	34566-7853	9	C	BLUE	<table border="1"> <tr><td>72</td><td>71</td><td>70</td><td>69</td><td></td><td>67</td><td>66</td><td></td><td>64</td><td></td><td></td><td></td><td></td><td></td><td></td><td></td><td></td><td></td><td></td><td>54</td></tr> <tr><td>52</td><td>51</td><td>50</td><td>49</td><td></td><td>47</td><td>46</td><td></td><td>44</td><td></td><td></td><td></td><td></td><td></td><td>39</td><td>38</td><td></td><td></td><td></td><td></td></tr> <tr><td colspan="4">73</td><td></td><td></td><td>30</td><td>29</td><td>28</td><td>27</td><td>26</td><td>25</td><td>24</td><td>23</td><td>22</td><td>21</td><td></td><td></td><td></td><td></td><td>17</td></tr> <tr><td colspan="4"></td><td>16</td><td>15</td><td>14</td><td>13</td><td>12</td><td>11</td><td>10</td><td>9</td><td>8</td><td>7</td><td>6</td><td>5</td><td></td><td></td><td></td><td></td><td></td></tr> </table>	72	71	70	69		67	66		64											54	52	51	50	49		47	46		44						39	38					73						30	29	28	27	26	25	24	23	22	21					17					16	15	14	13	12	11	10	9	8	7	6	5							
72	71	70	69		67	66		64											54																																																																							
52	51	50	49		47	46		44						39	38																																																																											
73						30	29	28	27	26	25	24	23	22	21					17																																																																						
				16	15	14	13	12	11	10	9	8	7	6	5																																																																											
AVAILABLE	NOT APPLICABLE	34566-7863	9	C	BLUE	<table border="1"> <tr><td>72</td><td></td><td>70</td><td></td><td>68</td><td>67</td><td>66</td><td></td><td></td><td>63</td><td>62</td><td></td><td></td><td>59</td><td></td><td>57</td><td></td><td></td><td></td><td>53</td></tr> <tr><td>52</td><td>51</td><td></td><td></td><td>48</td><td>47</td><td>46</td><td></td><td>44</td><td></td><td></td><td></td><td>40</td><td>39</td><td></td><td>37</td><td>36</td><td>35</td><td>34</td><td>33</td></tr> <tr><td colspan="4">73</td><td></td><td>32</td><td>30</td><td></td><td></td><td>27</td><td>26</td><td>25</td><td>24</td><td></td><td></td><td>22</td><td>21</td><td></td><td></td><td></td><td>2</td></tr> <tr><td colspan="4"></td><td></td><td>15</td><td>14</td><td></td><td></td><td></td><td>10</td><td>9</td><td>8</td><td></td><td></td><td>6</td><td>5</td><td>4</td><td></td><td></td><td></td></tr> </table>	72		70		68	67	66			63	62			59		57				53	52	51			48	47	46		44				40	39		37	36	35	34	33	73					32	30			27	26	25	24			22	21				2						15	14				10	9	8			6	5	4					
72		70		68	67	66			63	62			59		57				53																																																																							
52	51			48	47	46		44				40	39		37	36	35	34	33																																																																							
73					32	30			27	26	25	24			22	21				2																																																																						
					15	14				10	9	8			6	5	4																																																																									
AVAILABLE	NOT APPLICABLE	34566-7873	9	A	BLACK	<table border="1"> <tr><td></td><td>71</td><td></td><td>69</td><td></td><td></td><td></td><td>65</td><td>64</td><td></td><td></td><td>61</td><td>60</td><td></td><td>58</td><td></td><td>56</td><td>55</td><td>54</td><td></td></tr> <tr><td></td><td></td><td>50</td><td></td><td></td><td></td><td></td><td>45</td><td>43</td><td>42</td><td></td><td></td><td></td><td></td><td>38</td><td></td><td></td><td>35</td><td></td><td></td></tr> <tr><td colspan="4">73</td><td></td><td></td><td>31</td><td></td><td>29</td><td>28</td><td></td><td></td><td></td><td>23</td><td></td><td></td><td></td><td>19</td><td>18</td><td>17</td><td></td></tr> <tr><td colspan="4"></td><td>16</td><td></td><td></td><td></td><td>12</td><td>11</td><td></td><td></td><td></td><td></td><td></td><td></td><td></td><td>3</td><td></td><td></td><td>1</td></tr> </table>		71		69				65	64			61	60		58		56	55	54				50					45	43	42					38			35			73						31		29	28				23				19	18	17						16				12	11								3			1		
	71		69				65	64			61	60		58		56	55	54																																																																								
		50					45	43	42					38			35																																																																									
73						31		29	28				23				19	18	17																																																																							
				16				12	11								3			1																																																																						
AVAILABLE	NOT APPLICABLE	34566-7883	9	A	BLACK	<table border="1"> <tr><td>72</td><td></td><td></td><td></td><td>68</td><td>67</td><td>66</td><td>65</td><td></td><td></td><td></td><td></td><td></td><td></td><td></td><td></td><td></td><td></td><td></td><td></td></tr> <tr><td></td><td></td><td></td><td></td><td>48</td><td>47</td><td></td><td></td><td></td><td></td><td></td><td></td><td>40</td><td></td><td>38</td><td></td><td></td><td></td><td>35</td><td>33</td></tr> <tr><td colspan="4">73</td><td></td><td></td><td>31</td><td>30</td><td></td><td></td><td></td><td></td><td>25</td><td>24</td><td>23</td><td>22</td><td>21</td><td>20</td><td>19</td><td>17</td><td></td></tr> <tr><td colspan="4"></td><td></td><td></td><td></td><td></td><td></td><td></td><td></td><td>9</td><td>8</td><td>7</td><td>6</td><td>5</td><td>4</td><td></td><td></td><td>2</td><td>1</td></tr> </table>	72				68	67	66	65																	48	47							40		38				35	33	73						31	30					25	24	23	22	21	20	19	17													9	8	7	6	5	4			2	1		
72				68	67	66	65																																																																																			
				48	47							40		38				35	33																																																																							
73						31	30					25	24	23	22	21	20	19	17																																																																							
											9	8	7	6	5	4			2	1																																																																						
AVAILABLE	NOT APPLICABLE	34566-7893	9	A	BLACK	<table border="1"> <tr><td>72</td><td>71</td><td>70</td><td>69</td><td>68</td><td></td><td>66</td><td>65</td><td>64</td><td>63</td><td></td><td>61</td><td>60</td><td></td><td></td><td>57</td><td>56</td><td></td><td>54</td><td>53</td></tr> <tr><td>52</td><td>51</td><td>50</td><td>49</td><td>48</td><td></td><td>46</td><td>45</td><td>44</td><td>43</td><td>42</td><td></td><td>40</td><td>39</td><td>38</td><td>37</td><td>36</td><td></td><td>34</td><td>33</td></tr> <tr><td colspan="4">73</td><td></td><td>32</td><td>31</td><td>30</td><td>29</td><td>28</td><td></td><td></td><td></td><td></td><td>23</td><td>22</td><td>21</td><td>20</td><td></td><td></td><td></td></tr> <tr><td colspan="4"></td><td></td><td>15</td><td>14</td><td>13</td><td>12</td><td></td><td></td><td></td><td></td><td>7</td><td>6</td><td>5</td><td>4</td><td></td><td></td><td></td><td>2</td></tr> </table>	72	71	70	69	68		66	65	64	63		61	60			57	56		54	53	52	51	50	49	48		46	45	44	43	42		40	39	38	37	36		34	33	73					32	31	30	29	28					23	22	21	20									15	14	13	12					7	6	5	4				2		
72	71	70	69	68		66	65	64	63		61	60			57	56		54	53																																																																							
52	51	50	49	48		46	45	44	43	42		40	39	38	37	36		34	33																																																																							
73					32	31	30	29	28					23	22	21	20																																																																									
					15	14	13	12					7	6	5	4				2																																																																						
AVAILABLE	TBD	34822-0163	0	A	BLACK	<table border="1"> <tr><td>64</td><td>63</td><td></td><td></td><td></td><td></td><td></td><td></td><td></td><td></td><td></td><td>54</td><td>53</td><td></td><td>51</td><td></td><td>49</td><td></td><td></td><td>66</td></tr> <tr><td></td><td></td><td></td><td></td><td></td><td></td><td></td><td></td><td></td><td></td><td></td><td>38</td><td>37</td><td></td><td>35</td><td></td><td>33</td><td></td><td></td><td></td></tr> <tr><td colspan="4">65</td><td></td><td></td><td></td><td></td><td>28</td><td></td><td></td><td></td><td></td><td></td><td>23</td><td>21</td><td>20</td><td>19</td><td>18</td><td>17</td><td></td></tr> <tr><td colspan="4"></td><td></td><td></td><td>15</td><td>14</td><td>13</td><td></td><td></td><td></td><td></td><td>8</td><td>7</td><td></td><td></td><td>4</td><td>3</td><td>2</td><td>1</td></tr> </table>	64	63										54	53		51		49			66												38	37		35		33				65								28						23	21	20	19	18	17								15	14	13					8	7			4	3	2	1		
64	63										54	53		51		49			66																																																																							
											38	37		35		33																																																																										
65								28						23	21	20	19	18	17																																																																							
						15	14	13					8	7			4	3	2	1																																																																						

PRE-RELEASE  
REFERENCE  
USE ONLY

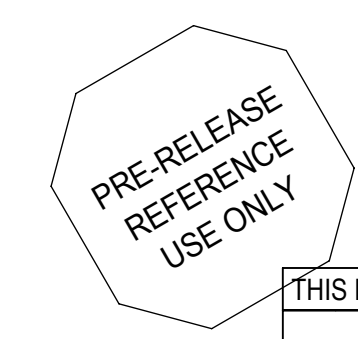
THIS DRAWING CONTAINS INFORMATION THAT IS PROPRIETARY TO MOLEX ELECTRONIC TECHNOLOGIES, LLC AND SHOULD NOT BE USED WITHOUT WRITTEN PERMISSION			
EC NO: 120093 DRWN: APODDATURI CHKD: REV APPR: VKOSHY	2017/07/13	2017/08/08	GENERAL TOLERANCES (UNLESS SPECIFIED)
	DIMENSION UNITS MM		SCALE 1:1
	ANGULAR TOL ± °		DRWN BY SKRAJENDRANA
	4 PLACES ±		DATE 2011/02/14
	3 PLACES ±		CHKD BY MVANSLAMBROU
	2 PLACES ±		DATE 2011/02/14
	1 PLACE ±		APPR BY
0 PLACES ±		DATE	
DRAFT WHERE APPLICABLE MUST REMAIN WITHIN DIMENSIONS		DRAWING SIZE D	THIRD ANGLE PROJECTION ☉
G55		SERIES 34566	MATERIAL NUMBER SEE BOM TABLE
		CUSTOMER GENERAL MARKET	
DOCUMENT NUMBER SD-34566-001		DOC TYPE PSD	DOC PART SHEET NUMBER 000 90 OF 98

STATUS	GM PART #	MATERIAL #	WIRE DRESS OPTION	KEY OPTION	COLOR (TPA)	NUMBERS INDICATE CAVITIES OPEN FOR CIRCUITS F <sub>P</sub>																																																																																			
AVAILABLE	NOT APPLICABLE	34566-7913	9	G	BLUE	<table border="1"> <tr><td>80</td><td>79</td><td>78</td><td></td><td></td><td>75</td><td></td><td></td><td></td><td>71</td><td>70</td><td></td><td></td><td>67</td><td></td><td></td><td></td><td></td><td></td><td>61</td></tr> <tr><td>60</td><td>59</td><td>58</td><td>57</td><td></td><td></td><td>54</td><td></td><td></td><td>51</td><td>50</td><td>49</td><td>48</td><td>47</td><td>45</td><td>44</td><td></td><td></td><td>42</td><td>41</td></tr> <tr><td>40</td><td>39</td><td></td><td>37</td><td>36</td><td></td><td>34</td><td>33</td><td>32</td><td></td><td>30</td><td>29</td><td>28</td><td>27</td><td>25</td><td>24</td><td>23</td><td>22</td><td>21</td><td></td></tr> <tr><td>20</td><td>19</td><td>18</td><td></td><td></td><td></td><td></td><td>13</td><td>12</td><td>11</td><td></td><td>9</td><td>8</td><td></td><td>5</td><td></td><td>3</td><td>2</td><td>1</td><td></td></tr> </table>	80	79	78			75				71	70			67						61	60	59	58	57			54			51	50	49	48	47	45	44			42	41	40	39		37	36		34	33	32		30	29	28	27	25	24	23	22	21		20	19	18					13	12	11		9	8		5		3	2	1				
80	79	78			75				71	70			67						61																																																																						
60	59	58	57			54			51	50	49	48	47	45	44			42	41																																																																						
40	39		37	36		34	33	32		30	29	28	27	25	24	23	22	21																																																																							
20	19	18					13	12	11		9	8		5		3	2	1																																																																							
AVAILABLE	NOT APPLICABLE	34566-7923	0	C	BLUE	<table border="1"> <tr><td></td><td>71</td><td>70</td><td></td><td></td><td>67</td><td></td><td></td><td>64</td><td></td><td>61</td><td>60</td><td></td><td></td><td>57</td><td></td><td></td><td></td><td></td><td>54</td></tr> <tr><td>52</td><td>51</td><td>50</td><td>49</td><td>48</td><td>47</td><td></td><td></td><td>45</td><td>44</td><td></td><td>41</td><td></td><td></td><td>37</td><td></td><td></td><td></td><td></td><td>34</td><td>33</td></tr> <tr><td></td><td></td><td></td><td></td><td></td><td></td><td>32</td><td></td><td></td><td>28</td><td>27</td><td>25</td><td></td><td></td><td></td><td></td><td></td><td></td><td></td><td>18</td><td>17</td></tr> <tr><td></td><td></td><td>73</td><td></td><td></td><td></td><td>16</td><td>15</td><td>14</td><td>13</td><td>12</td><td>11</td><td>10</td><td>9</td><td>8</td><td>7</td><td></td><td></td><td></td><td></td><td></td></tr> </table>		71	70			67			64		61	60			57					54	52	51	50	49	48	47			45	44		41			37					34	33							32			28	27	25								18	17			73				16	15	14	13	12	11	10	9	8	7					
	71	70			67			64		61	60			57					54																																																																						
52	51	50	49	48	47			45	44		41			37					34	33																																																																					
						32			28	27	25								18	17																																																																					
		73				16	15	14	13	12	11	10	9	8	7																																																																										
AVAILABLE	NOT APPLICABLE	34566-7933	0	A	BLACK	<table border="1"> <tr><td>72</td><td>71</td><td>70</td><td>69</td><td>68</td><td></td><td>66</td><td>65</td><td>64</td><td>63</td><td></td><td>61</td><td>60</td><td></td><td></td><td>57</td><td>56</td><td></td><td>54</td><td>53</td></tr> <tr><td>52</td><td>51</td><td>50</td><td>49</td><td>48</td><td></td><td>46</td><td>45</td><td>44</td><td>43</td><td></td><td></td><td>40</td><td>39</td><td>38</td><td>37</td><td>36</td><td></td><td></td><td>34</td><td>33</td></tr> <tr><td></td><td></td><td></td><td></td><td></td><td>32</td><td>31</td><td>30</td><td>29</td><td>28</td><td></td><td></td><td></td><td></td><td>23</td><td>22</td><td>21</td><td>20</td><td></td><td></td><td></td></tr> <tr><td></td><td></td><td>73</td><td></td><td></td><td></td><td>15</td><td>14</td><td>13</td><td>12</td><td></td><td></td><td></td><td></td><td>7</td><td>6</td><td>5</td><td>4</td><td></td><td></td><td>2</td></tr> </table>	72	71	70	69	68		66	65	64	63		61	60			57	56		54	53	52	51	50	49	48		46	45	44	43			40	39	38	37	36			34	33						32	31	30	29	28					23	22	21	20						73				15	14	13	12					7	6	5	4			2
72	71	70	69	68		66	65	64	63		61	60			57	56		54	53																																																																						
52	51	50	49	48		46	45	44	43			40	39	38	37	36			34	33																																																																					
					32	31	30	29	28					23	22	21	20																																																																								
		73				15	14	13	12					7	6	5	4			2																																																																					
AVAILABLE	NOT APPLICABLE	34566-7943	0	B	ST.GRAY	<table border="1"> <tr><td>72</td><td></td><td></td><td></td><td></td><td></td><td></td><td></td><td></td><td></td><td>62</td><td>61</td><td>60</td><td>59</td><td></td><td></td><td></td><td></td><td>55</td><td></td></tr> <tr><td>52</td><td></td><td></td><td></td><td>48</td><td>47</td><td>46</td><td></td><td></td><td>43</td><td></td><td>41</td><td>40</td><td></td><td></td><td>38</td><td>37</td><td>36</td><td>35</td><td></td><td></td></tr> <tr><td></td><td></td><td></td><td></td><td></td><td></td><td>31</td><td>30</td><td></td><td></td><td></td><td></td><td></td><td></td><td></td><td>22</td><td>21</td><td>20</td><td>19</td><td>18</td><td>17</td></tr> <tr><td></td><td></td><td></td><td></td><td></td><td></td><td>16</td><td>15</td><td>14</td><td></td><td></td><td></td><td></td><td></td><td></td><td>6</td><td></td><td>4</td><td></td><td></td><td>1</td></tr> </table>	72										62	61	60	59					55		52				48	47	46			43		41	40			38	37	36	35									31	30								22	21	20	19	18	17							16	15	14							6		4			1
72										62	61	60	59					55																																																																							
52				48	47	46			43		41	40			38	37	36	35																																																																							
						31	30								22	21	20	19	18	17																																																																					
						16	15	14							6		4			1																																																																					
AVAILABLE	NOT APPLICABLE	34566-7953	0	B	ST.GRAY	<table border="1"> <tr><td>72</td><td></td><td></td><td></td><td></td><td></td><td></td><td></td><td></td><td></td><td>62</td><td>61</td><td>60</td><td>59</td><td></td><td></td><td></td><td></td><td>55</td><td></td></tr> <tr><td>52</td><td></td><td></td><td></td><td>48</td><td>47</td><td>46</td><td></td><td></td><td>43</td><td></td><td>41</td><td>40</td><td></td><td></td><td>38</td><td>37</td><td>36</td><td>35</td><td></td><td></td></tr> <tr><td></td><td></td><td></td><td></td><td></td><td></td><td>31</td><td>30</td><td></td><td></td><td></td><td></td><td></td><td></td><td></td><td>22</td><td>21</td><td>20</td><td>19</td><td>18</td><td>17</td></tr> <tr><td></td><td></td><td></td><td></td><td></td><td></td><td>16</td><td>15</td><td>14</td><td></td><td></td><td></td><td></td><td></td><td></td><td>6</td><td></td><td>4</td><td></td><td></td><td>2</td></tr> </table>	72										62	61	60	59					55		52				48	47	46			43		41	40			38	37	36	35									31	30								22	21	20	19	18	17							16	15	14							6		4			2
72										62	61	60	59					55																																																																							
52				48	47	46			43		41	40			38	37	36	35																																																																							
						31	30								22	21	20	19	18	17																																																																					
						16	15	14							6		4			2																																																																					
AVAILABLE	NOT APPLICABLE	34566-7963	9	A	BLACK	<table border="1"> <tr><td>72</td><td>71</td><td>70</td><td>69</td><td>68</td><td></td><td>66</td><td>65</td><td>64</td><td>63</td><td></td><td>61</td><td>60</td><td></td><td></td><td>57</td><td>56</td><td></td><td>54</td><td>53</td></tr> <tr><td>52</td><td>51</td><td>50</td><td>49</td><td>48</td><td></td><td>46</td><td>45</td><td>44</td><td>43</td><td>42</td><td></td><td>40</td><td>39</td><td>38</td><td>37</td><td>36</td><td></td><td></td><td>34</td><td>33</td></tr> <tr><td></td><td></td><td></td><td></td><td></td><td>32</td><td>31</td><td>30</td><td>29</td><td>28</td><td></td><td>26</td><td>25</td><td></td><td>23</td><td>22</td><td>21</td><td>20</td><td></td><td></td><td></td></tr> <tr><td></td><td></td><td></td><td></td><td></td><td></td><td>15</td><td>14</td><td>13</td><td>12</td><td></td><td></td><td>9</td><td>7</td><td>6</td><td>5</td><td>4</td><td></td><td></td><td></td><td>2</td></tr> </table>	72	71	70	69	68		66	65	64	63		61	60			57	56		54	53	52	51	50	49	48		46	45	44	43	42		40	39	38	37	36			34	33						32	31	30	29	28		26	25		23	22	21	20										15	14	13	12			9	7	6	5	4				2
72	71	70	69	68		66	65	64	63		61	60			57	56		54	53																																																																						
52	51	50	49	48		46	45	44	43	42		40	39	38	37	36			34	33																																																																					
					32	31	30	29	28		26	25		23	22	21	20																																																																								
						15	14	13	12			9	7	6	5	4				2																																																																					
AVAILABLE	NOT APPLICABLE	34566-7973	9	B	ST.GRAY	<table border="1"> <tr><td>72</td><td></td><td></td><td></td><td></td><td></td><td></td><td></td><td></td><td></td><td>62</td><td>61</td><td>60</td><td>59</td><td></td><td></td><td></td><td></td><td>55</td><td></td></tr> <tr><td>52</td><td></td><td>50</td><td>49</td><td>48</td><td>47</td><td>46</td><td>45</td><td></td><td>43</td><td></td><td>41</td><td>40</td><td></td><td></td><td>38</td><td>37</td><td>36</td><td>35</td><td>34</td><td></td></tr> <tr><td></td><td></td><td></td><td></td><td></td><td></td><td></td><td>30</td><td>29</td><td></td><td></td><td></td><td></td><td></td><td></td><td>22</td><td>21</td><td>20</td><td>19</td><td>18</td><td>17</td></tr> <tr><td></td><td></td><td></td><td></td><td></td><td></td><td>16</td><td>15</td><td>14</td><td></td><td></td><td></td><td></td><td></td><td></td><td>6</td><td></td><td>4</td><td></td><td></td><td>1</td></tr> </table>	72										62	61	60	59					55		52		50	49	48	47	46	45		43		41	40			38	37	36	35	34									30	29							22	21	20	19	18	17							16	15	14							6		4			1
72										62	61	60	59					55																																																																							
52		50	49	48	47	46	45		43		41	40			38	37	36	35	34																																																																						
							30	29							22	21	20	19	18	17																																																																					
						16	15	14							6		4			1																																																																					
AVAILABLE	NOT APPLICABLE	34566-7983	9	B	ST.GRAY	<table border="1"> <tr><td>72</td><td></td><td></td><td></td><td></td><td></td><td></td><td></td><td></td><td></td><td>62</td><td>61</td><td>60</td><td>59</td><td></td><td></td><td></td><td></td><td>55</td><td></td></tr> <tr><td>52</td><td></td><td>50</td><td>49</td><td>48</td><td>47</td><td>46</td><td>45</td><td></td><td>43</td><td></td><td>41</td><td>40</td><td></td><td></td><td>38</td><td>37</td><td>36</td><td>35</td><td>34</td><td>33</td></tr> <tr><td></td><td></td><td></td><td></td><td></td><td></td><td></td><td>30</td><td>29</td><td></td><td></td><td></td><td></td><td></td><td></td><td>22</td><td>21</td><td>20</td><td>19</td><td>18</td><td>17</td></tr> <tr><td></td><td></td><td></td><td></td><td></td><td></td><td>16</td><td>15</td><td>14</td><td></td><td></td><td></td><td></td><td></td><td></td><td>6</td><td></td><td>4</td><td></td><td></td><td></td></tr> </table>	72										62	61	60	59					55		52		50	49	48	47	46	45		43		41	40			38	37	36	35	34	33								30	29							22	21	20	19	18	17							16	15	14							6		4			
72										62	61	60	59					55																																																																							
52		50	49	48	47	46	45		43		41	40			38	37	36	35	34	33																																																																					
							30	29							22	21	20	19	18	17																																																																					
						16	15	14							6		4																																																																								
AVAILABLE	NOT APPLICABLE	34566-7993	9	C	BLUE	<table border="1"> <tr><td></td><td></td><td>70</td><td>69</td><td></td><td>67</td><td>66</td><td></td><td>64</td><td></td><td>61</td><td>60</td><td></td><td></td><td>57</td><td></td><td></td><td></td><td></td><td>54</td></tr> <tr><td>52</td><td>51</td><td>50</td><td>49</td><td>48</td><td>47</td><td>46</td><td>45</td><td>44</td><td></td><td>41</td><td></td><td></td><td></td><td>37</td><td></td><td></td><td></td><td></td><td>34</td><td>33</td></tr> <tr><td></td><td></td><td></td><td></td><td></td><td></td><td></td><td></td><td>28</td><td>27</td><td>25</td><td></td><td></td><td></td><td></td><td></td><td></td><td></td><td></td><td>18</td><td>17</td></tr> <tr><td></td><td></td><td></td><td></td><td></td><td></td><td>16</td><td>15</td><td>14</td><td>13</td><td>12</td><td>11</td><td>10</td><td>9</td><td>8</td><td>7</td><td></td><td></td><td></td><td></td><td></td></tr> </table>			70	69		67	66		64		61	60			57					54	52	51	50	49	48	47	46	45	44		41				37					34	33									28	27	25									18	17							16	15	14	13	12	11	10	9	8	7					
		70	69		67	66		64		61	60			57					54																																																																						
52	51	50	49	48	47	46	45	44		41				37					34	33																																																																					
								28	27	25									18	17																																																																					
						16	15	14	13	12	11	10	9	8	7																																																																										

PRE-RELEASE  
REFERENCE  
USE ONLY

THIS DRAWING CONTAINS INFORMATION THAT IS PROPRIETARY TO MOLEX ELECTRONIC TECHNOLOGIES, LLC AND SHOULD NOT BE USED WITHOUT WRITTEN PERMISSION									
EC NO: 120083 DRWN: APODDATURI CHKD: REV APPR: VKOSHY	2017/07/13	2017/08/08	GENERAL TOLERANCES (UNLESS SPECIFIED)	DIMENSION UNITS MM	SCALE 1:1	<b>molex</b>			
	SKRAJENDRANA 2011/02/14		ANGULAR TOL ± °		MX123 66/73/80CKET HRNS CONN ASSY				
4 PLACES ±		CHKD BY DATE MVANSLAMBROU 2011/02/14		PRODUCT CUSTOMER DRAWING					
3 PLACES ±		APPR BY DATE		SERIES 34566		MATERIAL NUMBER SEE BOM TABLE		CUSTOMER GENERAL MARKET	
2 PLACES ±				DRAWING SIZE D		THIRD ANGLE PROJECTION 		DOCUMENT NUMBER SD-34566-001	
1 PLACE ±				DRAFT WHERE APPLICABLE MUST REMAIN WITHIN DIMENSIONS		DOC TYPE PSD		DOC PART SHEET NUMBER 000 91 OF 98	
0 PLACES ±									

STATUS	GM PART #	MATERIAL #	WIRE DRESS OPTION	KEY OPTION	COLOR (TPA)	NUMBERS INDICATE CAVITIES OPEN FOR CIRCUITS F <sub>P</sub>																																																																																				
AVAILABLE	NOT APPLICABLE	34566-8013	9	C	BLUE	<table border="1"> <tr><td></td><td>71</td><td></td><td></td><td></td><td>67</td><td>65</td><td>64</td><td></td><td></td><td>61</td><td>60</td><td>59</td><td></td><td>57</td><td></td><td></td><td>54</td></tr> <tr><td>52</td><td>51</td><td>50</td><td></td><td>48</td><td>47</td><td>45</td><td>44</td><td></td><td></td><td>41</td><td></td><td>39</td><td></td><td>37</td><td></td><td></td><td>34</td><td>33</td></tr> <tr><td></td><td></td><td>73</td><td></td><td>32</td><td></td><td></td><td>28</td><td>27</td><td></td><td>25</td><td></td><td>23</td><td></td><td></td><td></td><td></td><td>18</td><td></td></tr> <tr><td></td><td></td><td></td><td></td><td>16</td><td>15</td><td>14</td><td>13</td><td>12</td><td>11</td><td>10</td><td>9</td><td>8</td><td>7</td><td></td><td></td><td></td><td></td><td></td></tr> </table>		71				67	65	64			61	60	59		57			54	52	51	50		48	47	45	44			41		39		37			34	33			73		32			28	27		25		23					18						16	15	14	13	12	11	10	9	8	7														
	71				67	65	64			61	60	59		57			54																																																																									
52	51	50		48	47	45	44			41		39		37			34	33																																																																								
		73		32			28	27		25		23					18																																																																									
				16	15	14	13	12	11	10	9	8	7																																																																													
AVAILABLE	TBD	34822-0173	9	A	BLACK	<table border="1"> <tr><td>64</td><td></td><td></td><td></td><td></td><td></td><td>58</td><td>57</td><td>56</td><td>55</td><td>54</td><td></td><td>52</td><td></td><td>50</td><td></td><td></td><td></td><td>66</td></tr> <tr><td>48</td><td></td><td>46</td><td>45</td><td>44</td><td>43</td><td>42</td><td>41</td><td>40</td><td></td><td></td><td></td><td>36</td><td></td><td>34</td><td></td><td></td><td></td><td></td></tr> <tr><td></td><td></td><td>65</td><td></td><td>32</td><td>31</td><td>30</td><td>29</td><td></td><td></td><td>27</td><td>26</td><td></td><td>24</td><td>23</td><td></td><td></td><td></td><td></td></tr> <tr><td></td><td></td><td></td><td></td><td>16</td><td></td><td></td><td></td><td></td><td>12</td><td>11</td><td>10</td><td>9</td><td></td><td></td><td>6</td><td>5</td><td>4</td><td></td></tr> </table>	64						58	57	56	55	54		52		50				66	48		46	45	44	43	42	41	40				36		34							65		32	31	30	29			27	26		24	23									16					12	11	10	9			6	5	4									
64						58	57	56	55	54		52		50				66																																																																								
48		46	45	44	43	42	41	40				36		34																																																																												
		65		32	31	30	29			27	26		24	23																																																																												
				16					12	11	10	9			6	5	4																																																																									
AVAILABLE	NOT APPLICABLE	34566-8023	9	C	BLUE	<table border="1"> <tr><td>72</td><td></td><td></td><td>69</td><td>68</td><td></td><td></td><td></td><td></td><td></td><td>63</td><td>62</td><td></td><td></td><td>59</td><td></td><td></td><td>56</td><td>55</td><td>53</td></tr> <tr><td></td><td></td><td></td><td></td><td></td><td></td><td></td><td>46</td><td></td><td></td><td>43</td><td>42</td><td></td><td>40</td><td>39</td><td></td><td></td><td>36</td><td>35</td><td></td></tr> <tr><td></td><td></td><td></td><td></td><td></td><td></td><td></td><td>31</td><td>30</td><td>29</td><td></td><td></td><td>26</td><td>24</td><td>23</td><td></td><td>22</td><td>21</td><td>20</td><td>19</td></tr> <tr><td></td><td></td><td></td><td></td><td></td><td></td><td></td><td></td><td></td><td></td><td></td><td></td><td></td><td>8</td><td>7</td><td>6</td><td>5</td><td>4</td><td>3</td><td>2</td><td>1</td></tr> </table>	72			69	68						63	62			59			56	55	53								46			43	42		40	39			36	35									31	30	29			26	24	23		22	21	20	19														8	7	6	5	4	3	2	1			
72			69	68						63	62			59			56	55	53																																																																							
							46			43	42		40	39			36	35																																																																								
							31	30	29			26	24	23		22	21	20	19																																																																							
													8	7	6	5	4	3	2	1																																																																						
AVAILABLE	NOT APPLICABLE	34566-8033	9	B	ST.GRAY	<table border="1"> <tr><td>71</td><td>70</td><td>69</td><td></td><td>67</td><td>66</td><td>65</td><td>64</td><td>63</td><td></td><td></td><td></td><td></td><td>58</td><td>57</td><td>56</td><td></td><td>54</td><td></td><td></td></tr> <tr><td>51</td><td>50</td><td>49</td><td></td><td></td><td></td><td>45</td><td></td><td></td><td></td><td>42</td><td></td><td></td><td>39</td><td></td><td></td><td></td><td>34</td><td>33</td><td></td></tr> <tr><td></td><td></td><td></td><td></td><td></td><td></td><td>32</td><td>31</td><td></td><td></td><td>29</td><td>28</td><td>27</td><td>26</td><td>25</td><td>24</td><td>23</td><td></td><td></td><td></td></tr> <tr><td></td><td></td><td></td><td></td><td></td><td></td><td></td><td></td><td>13</td><td>12</td><td>11</td><td>10</td><td>9</td><td></td><td>7</td><td></td><td>5</td><td></td><td>3</td><td>2</td></tr> </table>	71	70	69		67	66	65	64	63					58	57	56		54			51	50	49				45				42			39				34	33								32	31			29	28	27	26	25	24	23												13	12	11	10	9		7		5		3	2				
71	70	69		67	66	65	64	63					58	57	56		54																																																																									
51	50	49				45				42			39				34	33																																																																								
						32	31			29	28	27	26	25	24	23																																																																										
								13	12	11	10	9		7		5		3	2																																																																							
AVAILABLE	NOT APPLICABLE	34566-8043	9	A	BLACK	<table border="1"> <tr><td></td><td></td><td></td><td></td><td></td><td>67</td><td></td><td></td><td></td><td></td><td>62</td><td>61</td><td></td><td>59</td><td>58</td><td></td><td></td><td>55</td><td>53</td><td></td></tr> <tr><td></td><td></td><td></td><td></td><td></td><td>47</td><td></td><td></td><td></td><td></td><td>42</td><td></td><td></td><td></td><td></td><td></td><td></td><td>35</td><td>33</td><td></td></tr> <tr><td></td><td></td><td></td><td></td><td></td><td></td><td></td><td></td><td></td><td></td><td>27</td><td>26</td><td>25</td><td>24</td><td></td><td></td><td>20</td><td>19</td><td>18</td><td>17</td></tr> <tr><td></td><td></td><td></td><td></td><td></td><td></td><td></td><td></td><td></td><td>16</td><td></td><td></td><td></td><td>11</td><td>10</td><td>9</td><td>8</td><td></td><td>4</td><td>3</td><td>1</td></tr> </table>						67					62	61		59	58			55	53							47					42							35	33												27	26	25	24			20	19	18	17										16				11	10	9	8		4	3	1			
					67					62	61		59	58			55	53																																																																								
					47					42							35	33																																																																								
										27	26	25	24			20	19	18	17																																																																							
									16				11	10	9	8		4	3	1																																																																						
AVAILABLE	NOT APPLICABLE	34566-8053	9	A	BLACK	<table border="1"> <tr><td>72</td><td></td><td></td><td></td><td>68</td><td>67</td><td>66</td><td></td><td></td><td></td><td></td><td></td><td></td><td></td><td>59</td><td></td><td></td><td></td><td></td><td></td></tr> <tr><td></td><td></td><td></td><td></td><td></td><td></td><td>46</td><td></td><td></td><td></td><td></td><td></td><td></td><td>40</td><td></td><td>38</td><td></td><td></td><td>35</td><td>33</td></tr> <tr><td></td><td></td><td></td><td></td><td></td><td></td><td>31</td><td></td><td></td><td></td><td></td><td></td><td>25</td><td>23</td><td>22</td><td>21</td><td>20</td><td>19</td><td>17</td><td></td></tr> <tr><td></td><td></td><td></td><td></td><td></td><td></td><td></td><td></td><td></td><td></td><td></td><td></td><td>9</td><td>8</td><td>7</td><td>6</td><td>5</td><td>4</td><td></td><td>2</td><td>1</td></tr> </table>	72				68	67	66								59												46							40		38			35	33							31						25	23	22	21	20	19	17														9	8	7	6	5	4		2	1			
72				68	67	66								59																																																																												
						46							40		38			35	33																																																																							
						31						25	23	22	21	20	19	17																																																																								
												9	8	7	6	5	4		2	1																																																																						
AVAILABLE	NOT APPLICABLE	34566-8063	9	C	BLUE	<table border="1"> <tr><td>71</td><td></td><td>69</td><td></td><td></td><td></td><td>65</td><td>64</td><td></td><td></td><td>61</td><td>60</td><td></td><td></td><td>58</td><td></td><td>56</td><td>55</td><td>54</td><td></td></tr> <tr><td></td><td></td><td>50</td><td></td><td></td><td></td><td>45</td><td></td><td>43</td><td>42</td><td></td><td></td><td></td><td></td><td>38</td><td></td><td></td><td>35</td><td></td><td></td></tr> <tr><td></td><td></td><td></td><td></td><td></td><td></td><td>31</td><td></td><td>29</td><td>28</td><td></td><td></td><td></td><td></td><td>23</td><td></td><td></td><td>19</td><td>18</td><td>17</td></tr> <tr><td></td><td></td><td></td><td></td><td></td><td></td><td>16</td><td></td><td></td><td></td><td>12</td><td>11</td><td></td><td></td><td>7</td><td></td><td></td><td>3</td><td></td><td>1</td></tr> </table>	71		69				65	64			61	60			58		56	55	54				50				45		43	42					38			35									31		29	28					23			19	18	17							16				12	11			7			3		1				
71		69				65	64			61	60			58		56	55	54																																																																								
		50				45		43	42					38			35																																																																									
						31		29	28					23			19	18	17																																																																							
						16				12	11			7			3		1																																																																							
AVAILABLE	NOT APPLICABLE	34566-8073	9	B	ST.GRAY	<table border="1"> <tr><td></td><td></td><td></td><td>69</td><td></td><td></td><td>65</td><td>64</td><td>63</td><td></td><td></td><td></td><td></td><td></td><td></td><td></td><td></td><td></td><td></td><td></td></tr> <tr><td></td><td></td><td></td><td>49</td><td></td><td></td><td>45</td><td>44</td><td>43</td><td></td><td></td><td></td><td></td><td></td><td></td><td></td><td></td><td></td><td></td><td></td></tr> <tr><td></td><td></td><td></td><td></td><td></td><td></td><td></td><td></td><td></td><td></td><td></td><td></td><td></td><td>23</td><td>22</td><td>21</td><td>20</td><td>19</td><td></td><td></td></tr> <tr><td></td><td></td><td></td><td></td><td></td><td></td><td></td><td></td><td></td><td></td><td></td><td></td><td></td><td>12</td><td>11</td><td>9</td><td>7</td><td>6</td><td>5</td><td>4</td></tr> </table>				69			65	64	63															49			45	44	43																									23	22	21	20	19																12	11	9	7	6	5	4				
			69			65	64	63																																																																																		
			49			45	44	43																																																																																		
													23	22	21	20	19																																																																									
													12	11	9	7	6	5	4																																																																							
AVAILABLE	NOT APPLICABLE	34566-8083	9	B	ST.GRAY	<table border="1"> <tr><td></td><td></td><td></td><td></td><td></td><td></td><td></td><td></td><td></td><td></td><td>62</td><td></td><td></td><td>59</td><td>58</td><td></td><td></td><td></td><td></td><td>54</td><td>53</td></tr> <tr><td></td><td></td><td></td><td></td><td></td><td></td><td></td><td></td><td></td><td></td><td>42</td><td></td><td></td><td>39</td><td></td><td></td><td></td><td></td><td></td><td></td><td></td></tr> <tr><td></td><td></td><td></td><td></td><td></td><td></td><td></td><td></td><td></td><td></td><td>27</td><td></td><td></td><td></td><td></td><td></td><td></td><td></td><td></td><td></td><td></td></tr> <tr><td></td><td></td><td></td><td></td><td></td><td></td><td></td><td></td><td></td><td></td><td>10</td><td>9</td><td></td><td></td><td></td><td></td><td></td><td></td><td></td><td></td><td></td></tr> </table>											62			59	58					54	53											42			39																		27																					10	9									
										62			59	58					54	53																																																																						
										42			39																																																																													
										27																																																																																
										10	9																																																																															
AVAILABLE	NOT APPLICABLE	34566-8093	9	A	BLACK	<table border="1"> <tr><td>71</td><td></td><td>69</td><td>68</td><td></td><td>66</td><td>65</td><td>64</td><td></td><td></td><td>62</td><td>61</td><td></td><td></td><td></td><td></td><td></td><td></td><td>54</td><td>53</td></tr> <tr><td></td><td></td><td>50</td><td>49</td><td></td><td></td><td>45</td><td>44</td><td></td><td></td><td></td><td>41</td><td></td><td></td><td></td><td></td><td></td><td></td><td>34</td><td>33</td></tr> <tr><td></td><td></td><td></td><td></td><td></td><td></td><td>32</td><td>31</td><td>30</td><td>29</td><td></td><td>26</td><td>25</td><td>24</td><td>23</td><td></td><td></td><td>20</td><td>19</td><td></td></tr> <tr><td></td><td></td><td></td><td></td><td></td><td></td><td>16</td><td>15</td><td>14</td><td>13</td><td></td><td>10</td><td>8</td><td></td><td>6</td><td></td><td>4</td><td>3</td><td></td><td></td></tr> </table>	71		69	68		66	65	64			62	61							54	53			50	49			45	44				41							34	33							32	31	30	29		26	25	24	23			20	19								16	15	14	13		10	8		6		4	3						
71		69	68		66	65	64			62	61							54	53																																																																							
		50	49			45	44				41							34	33																																																																							
						32	31	30	29		26	25	24	23			20	19																																																																								
						16	15	14	13		10	8		6		4	3																																																																									
AVAILABLE	NOT APPLICABLE	34566-8113	9	C	BLUE	<table border="1"> <tr><td></td><td></td><td></td><td></td><td>68</td><td></td><td></td><td></td><td></td><td></td><td>63</td><td>62</td><td>61</td><td>60</td><td>59</td><td>58</td><td>57</td><td></td><td>55</td><td>53</td></tr> <tr><td></td><td></td><td></td><td></td><td>48</td><td></td><td></td><td></td><td></td><td></td><td>43</td><td>42</td><td>41</td><td>40</td><td></td><td></td><td>37</td><td>36</td><td>35</td><td>33</td></tr> <tr><td></td><td></td><td></td><td></td><td></td><td></td><td></td><td></td><td></td><td></td><td>27</td><td></td><td></td><td>24</td><td></td><td></td><td></td><td>20</td><td>19</td><td>18</td></tr> <tr><td></td><td></td><td></td><td></td><td></td><td></td><td></td><td></td><td></td><td></td><td>11</td><td>10</td><td></td><td>8</td><td></td><td></td><td>5</td><td>4</td><td>3</td><td>2</td><td>1</td></tr> </table>					68						63	62	61	60	59	58	57		55	53					48						43	42	41	40			37	36	35	33											27			24				20	19	18											11	10		8			5	4	3	2	1			
				68						63	62	61	60	59	58	57		55	53																																																																							
				48						43	42	41	40			37	36	35	33																																																																							
										27			24				20	19	18																																																																							
										11	10		8			5	4	3	2	1																																																																						



THIS DRAWING CONTAINS INFORMATION THAT IS PROPRIETARY TO MOLEX ELECTRONIC TECHNOLOGIES, LLC AND SHOULD NOT BE USED WITHOUT WRITTEN PERMISSION

EC NO: 120083 DRWN: APODDATURI CHKD: REV APPR: VKOSHY	2017/07/13 2017/08/08	GENERAL TOLERANCES (UNLESS SPECIFIED)	DIMENSION UNITS	SCALE	<p>MX123 66/73/80CKT HRNS CONN ASSY</p> <p>PRODUCT CUSTOMER DRAWING</p> <p>SERIES: 34566 MATERIAL NUMBER: SEE BOM TABLE CUSTOMER: GENERAL MARKET</p> <p>DOCUMENT NUMBER: SD-34566-001 DOC TYPE: PSD DOC PART: 000 SHEET NUMBER: 92 OF 98</p>				
ANGULAR TOL ± °		MM	1:1						
4 PLACES ±		DRWN BY	DATE						
3 PLACES ±		SKRAJENDRANA	2011/02/14						
2 PLACES ±		CHKD BY	DATE						
1 PLACE ±		MVANSLAMBROU	2011/02/14						
0 PLACES ±		APPR BY	DATE						
DRAFT WHERE APPLICABLE MUST REMAIN WITHIN DIMENSIONS		DRAWING SIZE	THIRD ANGLE PROJECTION	D					



STATUS	GM PART #	MATERIAL #	WIRE DRESS OPTION	KEY OPTION	COLOR (TPA)	NUMBERS INDICATE CAVITIES OPEN FOR CIRCUITS																																																																																					
G46 AVAILABLE	NOT APPLICABLE	34566-8223	9	A	BLACK	<table border="1"> <tr><td>72</td><td></td><td></td><td></td><td></td><td></td><td></td><td></td><td></td><td></td><td>62</td><td>61</td><td></td><td>59</td><td></td><td>57</td><td></td><td>55</td><td></td><td></td></tr> <tr><td>52</td><td>51</td><td></td><td></td><td></td><td></td><td></td><td></td><td></td><td></td><td></td><td></td><td>40</td><td></td><td></td><td>37</td><td></td><td></td><td></td><td></td></tr> <tr><td></td><td></td><td>73</td><td></td><td></td><td></td><td>32</td><td></td><td></td><td>29</td><td></td><td></td><td>25</td><td></td><td></td><td></td><td>20</td><td></td><td></td><td></td></tr> <tr><td></td><td></td><td></td><td></td><td></td><td></td><td>16</td><td>15</td><td>14</td><td></td><td>12</td><td>11</td><td>10</td><td>9</td><td></td><td></td><td></td><td></td><td></td><td></td></tr> </table>	72										62	61		59		57		55			52	51											40			37							73				32			29			25				20										16	15	14		12	11	10	9											
72										62	61		59		57		55																																																																										
52	51											40			37																																																																												
		73				32			29			25				20																																																																											
						16	15	14		12	11	10	9																																																																														
G46 AVAILABLE	NOT APPLICABLE	34566-8233	9	G	BLUE	<table border="1"> <tr><td></td><td></td><td></td><td></td><td>77</td><td>76</td><td>75</td><td>74</td><td>73</td><td>72</td><td></td><td>70</td><td>69</td><td>68</td><td></td><td>66</td><td>65</td><td>64</td><td>63</td><td>62</td><td>61</td></tr> <tr><td></td><td></td><td></td><td></td><td></td><td>56</td><td>55</td><td></td><td>53</td><td>52</td><td></td><td></td><td></td><td></td><td></td><td>46</td><td>45</td><td></td><td>43</td><td>42</td><td></td></tr> <tr><td></td><td></td><td></td><td>38</td><td>37</td><td>36</td><td>35</td><td>34</td><td></td><td></td><td>31</td><td></td><td></td><td></td><td></td><td>26</td><td></td><td></td><td>23</td><td>22</td><td>21</td></tr> <tr><td>20</td><td>19</td><td></td><td>17</td><td>16</td><td>15</td><td>14</td><td>13</td><td></td><td></td><td>10</td><td></td><td></td><td>7</td><td>6</td><td></td><td>4</td><td></td><td></td><td></td><td>1</td></tr> </table>					77	76	75	74	73	72		70	69	68		66	65	64	63	62	61						56	55		53	52						46	45		43	42					38	37	36	35	34			31					26			23	22	21	20	19		17	16	15	14	13			10			7	6		4				1	
				77	76	75	74	73	72		70	69	68		66	65	64	63	62	61																																																																							
					56	55		53	52						46	45		43	42																																																																								
			38	37	36	35	34			31					26			23	22	21																																																																							
20	19		17	16	15	14	13			10			7	6		4				1																																																																							
G46 AVAILABLE	NOT APPLICABLE	34566-8243	9	G	BLUE	<table border="1"> <tr><td></td><td></td><td></td><td></td><td>77</td><td></td><td>75</td><td>74</td><td>73</td><td>72</td><td></td><td>70</td><td>69</td><td>68</td><td></td><td>66</td><td>65</td><td>64</td><td>63</td><td>62</td><td>61</td></tr> <tr><td></td><td></td><td></td><td></td><td></td><td>56</td><td>55</td><td></td><td>53</td><td>52</td><td></td><td></td><td></td><td></td><td></td><td>46</td><td>45</td><td></td><td>43</td><td>42</td><td></td></tr> <tr><td></td><td></td><td></td><td>38</td><td></td><td>36</td><td>35</td><td>34</td><td></td><td></td><td>31</td><td></td><td></td><td></td><td></td><td>26</td><td></td><td></td><td>23</td><td>22</td><td>21</td></tr> <tr><td>20</td><td>19</td><td></td><td>17</td><td>16</td><td>15</td><td>14</td><td>13</td><td></td><td></td><td>10</td><td></td><td></td><td>7</td><td>6</td><td></td><td>4</td><td></td><td></td><td></td><td>1</td></tr> </table>					77		75	74	73	72		70	69	68		66	65	64	63	62	61						56	55		53	52						46	45		43	42					38		36	35	34			31					26			23	22	21	20	19		17	16	15	14	13			10			7	6		4				1	
				77		75	74	73	72		70	69	68		66	65	64	63	62	61																																																																							
					56	55		53	52						46	45		43	42																																																																								
			38		36	35	34			31					26			23	22	21																																																																							
20	19		17	16	15	14	13			10			7	6		4				1																																																																							
G46 AVAILABLE	NOT APPLICABLE	34566-8253	9	G	BLUE	<table border="1"> <tr><td></td><td></td><td></td><td></td><td>77</td><td>76</td><td>75</td><td>74</td><td>73</td><td>72</td><td></td><td>70</td><td>69</td><td>68</td><td></td><td>66</td><td>65</td><td>64</td><td>63</td><td>62</td><td>61</td></tr> <tr><td></td><td></td><td></td><td></td><td></td><td>56</td><td>55</td><td></td><td>53</td><td>52</td><td></td><td></td><td></td><td></td><td></td><td>46</td><td>45</td><td></td><td>43</td><td>42</td><td></td></tr> <tr><td></td><td></td><td></td><td>38</td><td>37</td><td>36</td><td>35</td><td>34</td><td></td><td></td><td>31</td><td></td><td></td><td></td><td></td><td>26</td><td></td><td></td><td>23</td><td>22</td><td>21</td></tr> <tr><td></td><td></td><td></td><td>17</td><td>16</td><td>15</td><td>14</td><td>13</td><td></td><td></td><td>10</td><td></td><td></td><td>7</td><td>6</td><td></td><td>4</td><td></td><td></td><td></td><td>1</td></tr> </table>					77	76	75	74	73	72		70	69	68		66	65	64	63	62	61						56	55		53	52						46	45		43	42					38	37	36	35	34			31					26			23	22	21				17	16	15	14	13			10			7	6		4				1	
				77	76	75	74	73	72		70	69	68		66	65	64	63	62	61																																																																							
					56	55		53	52						46	45		43	42																																																																								
			38	37	36	35	34			31					26			23	22	21																																																																							
			17	16	15	14	13			10			7	6		4				1																																																																							
G46 AVAILABLE	NOT APPLICABLE	34566-8263	9	G	BLUE	<table border="1"> <tr><td></td><td></td><td></td><td></td><td>77</td><td></td><td>75</td><td>74</td><td>73</td><td>72</td><td></td><td>70</td><td>69</td><td>68</td><td></td><td>66</td><td>65</td><td>64</td><td>63</td><td>62</td><td>61</td></tr> <tr><td></td><td></td><td></td><td></td><td></td><td>56</td><td>55</td><td></td><td>53</td><td>52</td><td></td><td></td><td></td><td></td><td></td><td>46</td><td>45</td><td></td><td>43</td><td>42</td><td></td></tr> <tr><td></td><td></td><td></td><td>38</td><td></td><td>36</td><td>35</td><td>34</td><td></td><td></td><td>31</td><td></td><td></td><td></td><td></td><td>26</td><td></td><td></td><td>23</td><td>22</td><td>21</td></tr> <tr><td></td><td></td><td></td><td>17</td><td>16</td><td>15</td><td>14</td><td>13</td><td></td><td></td><td>10</td><td></td><td></td><td>7</td><td>6</td><td></td><td>4</td><td></td><td></td><td></td><td>1</td></tr> </table>					77		75	74	73	72		70	69	68		66	65	64	63	62	61						56	55		53	52						46	45		43	42					38		36	35	34			31					26			23	22	21				17	16	15	14	13			10			7	6		4				1	
				77		75	74	73	72		70	69	68		66	65	64	63	62	61																																																																							
					56	55		53	52						46	45		43	42																																																																								
			38		36	35	34			31					26			23	22	21																																																																							
			17	16	15	14	13			10			7	6		4				1																																																																							
G46 AVAILABLE	NOT APPLICABLE	34566-8273	9	G	BLUE	<table border="1"> <tr><td>80</td><td>79</td><td>78</td><td></td><td></td><td></td><td></td><td></td><td></td><td></td><td>71</td><td></td><td></td><td></td><td>67</td><td></td><td></td><td></td><td></td><td></td><td></td></tr> <tr><td>60</td><td>59</td><td>58</td><td>57</td><td></td><td></td><td></td><td>54</td><td></td><td></td><td>51</td><td>50</td><td>49</td><td>48</td><td>47</td><td></td><td></td><td>44</td><td></td><td></td><td>41</td></tr> <tr><td>40</td><td>39</td><td></td><td></td><td></td><td></td><td></td><td></td><td>33</td><td>32</td><td></td><td>30</td><td>29</td><td>28</td><td>27</td><td></td><td></td><td>25</td><td>24</td><td></td><td></td></tr> <tr><td></td><td></td><td>18</td><td></td><td></td><td></td><td></td><td></td><td></td><td>12</td><td>11</td><td></td><td>9</td><td>8</td><td></td><td></td><td></td><td>5</td><td></td><td>3</td><td>2</td></tr> </table>	80	79	78								71				67							60	59	58	57				54			51	50	49	48	47			44			41	40	39							33	32		30	29	28	27			25	24					18							12	11		9	8				5		3	2	
80	79	78								71				67																																																																													
60	59	58	57				54			51	50	49	48	47			44			41																																																																							
40	39							33	32		30	29	28	27			25	24																																																																									
		18							12	11		9	8				5		3	2																																																																							
G46 AVAILABLE	NOT APPLICABLE	34566-8283	9	G	BLUE	<table border="1"> <tr><td>80</td><td>79</td><td>78</td><td></td><td>76</td><td></td><td></td><td></td><td></td><td></td><td>71</td><td></td><td></td><td></td><td>67</td><td></td><td></td><td></td><td></td><td></td><td></td></tr> <tr><td>60</td><td>59</td><td>58</td><td>57</td><td></td><td></td><td></td><td>54</td><td></td><td></td><td>51</td><td>50</td><td>49</td><td>48</td><td>47</td><td></td><td></td><td>44</td><td></td><td></td><td>41</td></tr> <tr><td>40</td><td>39</td><td></td><td>37</td><td></td><td></td><td></td><td></td><td>33</td><td>32</td><td></td><td>30</td><td>29</td><td>28</td><td>27</td><td></td><td></td><td>25</td><td>24</td><td></td><td></td></tr> <tr><td></td><td></td><td>18</td><td></td><td></td><td></td><td></td><td></td><td></td><td>12</td><td>11</td><td></td><td>9</td><td>8</td><td></td><td></td><td></td><td>5</td><td></td><td>3</td><td>2</td></tr> </table>	80	79	78		76						71				67							60	59	58	57				54			51	50	49	48	47			44			41	40	39		37					33	32		30	29	28	27			25	24					18							12	11		9	8				5		3	2	
80	79	78		76						71				67																																																																													
60	59	58	57				54			51	50	49	48	47			44			41																																																																							
40	39		37					33	32		30	29	28	27			25	24																																																																									
		18							12	11		9	8				5		3	2																																																																							
G46 AVAILABLE	NOT APPLICABLE	34566-8293	9	A	BLACK	<table border="1"> <tr><td></td><td>71</td><td>70</td><td>69</td><td>68</td><td>67</td><td>66</td><td>65</td><td></td><td>63</td><td></td><td></td><td>60</td><td>59</td><td>58</td><td></td><td></td><td></td><td></td><td></td><td></td></tr> <tr><td></td><td></td><td>50</td><td>49</td><td>48</td><td>47</td><td></td><td></td><td></td><td>44</td><td>42</td><td></td><td></td><td>39</td><td>38</td><td></td><td></td><td>36</td><td>35</td><td>34</td><td>33</td></tr> <tr><td></td><td></td><td></td><td></td><td></td><td></td><td></td><td></td><td></td><td></td><td></td><td></td><td></td><td></td><td></td><td></td><td></td><td></td><td>19</td><td>18</td><td>17</td></tr> <tr><td></td><td></td><td>73</td><td></td><td></td><td></td><td></td><td></td><td>14</td><td>12</td><td></td><td></td><td></td><td>8</td><td>7</td><td>6</td><td>5</td><td></td><td>3</td><td>2</td><td>1</td></tr> </table>		71	70	69	68	67	66	65		63			60	59	58									50	49	48	47				44	42			39	38			36	35	34	33																			19	18	17			73						14	12				8	7	6	5		3	2	1	
	71	70	69	68	67	66	65		63			60	59	58																																																																													
		50	49	48	47				44	42			39	38			36	35	34	33																																																																							
																		19	18	17																																																																							
		73						14	12				8	7	6	5		3	2	1																																																																							
G46 AVAILABLE	NOT APPLICABLE	34566-8313	9	A	BLACK	<table border="1"> <tr><td></td><td>71</td><td>70</td><td>69</td><td></td><td>67</td><td>66</td><td>65</td><td></td><td>63</td><td></td><td></td><td>60</td><td>59</td><td>58</td><td></td><td></td><td></td><td></td><td></td><td></td></tr> <tr><td></td><td></td><td>50</td><td>49</td><td>48</td><td>47</td><td></td><td></td><td></td><td>44</td><td>42</td><td>41</td><td></td><td>39</td><td>38</td><td></td><td></td><td>36</td><td>35</td><td>34</td><td>33</td></tr> <tr><td></td><td></td><td></td><td></td><td></td><td></td><td></td><td></td><td></td><td></td><td></td><td></td><td></td><td></td><td></td><td></td><td></td><td></td><td></td><td>19</td><td>18</td><td>17</td></tr> <tr><td></td><td></td><td>73</td><td></td><td></td><td></td><td></td><td></td><td></td><td>12</td><td></td><td></td><td></td><td>8</td><td>7</td><td>6</td><td>5</td><td></td><td>3</td><td>2</td><td>1</td></tr> </table>		71	70	69		67	66	65		63			60	59	58									50	49	48	47				44	42	41		39	38			36	35	34	33																				19	18	17			73							12				8	7	6	5		3	2	1
	71	70	69		67	66	65		63			60	59	58																																																																													
		50	49	48	47				44	42	41		39	38			36	35	34	33																																																																							
																			19	18	17																																																																						
		73							12				8	7	6	5		3	2	1																																																																							
G46 AVAILABLE	NOT APPLICABLE	34566-8323	9	A	BLACK	<table border="1"> <tr><td></td><td>71</td><td>70</td><td>69</td><td>68</td><td>67</td><td>66</td><td>65</td><td></td><td>63</td><td></td><td></td><td>60</td><td></td><td></td><td></td><td></td><td></td><td></td><td></td><td>53</td></tr> <tr><td></td><td></td><td>50</td><td>49</td><td></td><td>47</td><td></td><td></td><td></td><td>44</td><td>42</td><td></td><td></td><td>39</td><td>38</td><td></td><td></td><td>36</td><td></td><td></td><td>33</td></tr> <tr><td></td><td></td><td></td><td></td><td></td><td></td><td></td><td></td><td></td><td></td><td></td><td></td><td></td><td></td><td></td><td></td><td></td><td></td><td></td><td>19</td><td>18</td><td>17</td></tr> <tr><td></td><td></td><td>73</td><td></td><td></td><td></td><td></td><td>14</td><td>12</td><td></td><td></td><td></td><td></td><td>8</td><td>7</td><td>6</td><td>5</td><td></td><td></td><td>2</td><td>1</td></tr> </table>		71	70	69	68	67	66	65		63			60								53			50	49		47				44	42			39	38			36			33																				19	18	17			73					14	12					8	7	6	5			2	1
	71	70	69	68	67	66	65		63			60								53																																																																							
		50	49		47				44	42			39	38			36			33																																																																							
																			19	18	17																																																																						
		73					14	12					8	7	6	5			2	1																																																																							

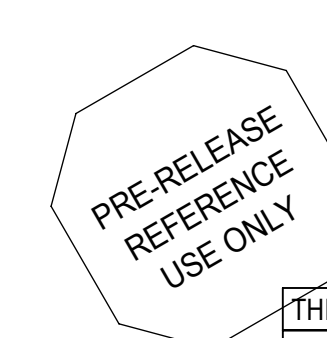
PRE-RELEASE REFERENCE USE ONLY

THIS DRAWING CONTAINS INFORMATION THAT IS PROPRIETARY TO MOLEX ELECTRONIC TECHNOLOGIES, LLC AND SHOULD NOT BE USED WITHOUT WRITTEN PERMISSION




EC NO: 120083 DRWN: APODDATURI CHKD: REV APPR: VKOSHY	2017/07/13 2017/08/08	GENERAL TOLERANCES (UNLESS SPECIFIED) ANGULAR TOL ± ° 4 PLACES ± 3 PLACES ± 2 PLACES ± 1 PLACE ± 0 PLACES ±	DIMENSION UNITS: MM SCALE: DRWN BY: TYE DATE: 2016/05/06 CHKD BY: APODDATURI DATE: 2017/07/13 APPR BY: SKRAJENDRANA DATE: 2016/08/22	<p>MX123 66/73/80CKT HRNS CONN ASSY</p> <p>PRODUCT CUSTOMER DRAWING</p>
	DRAFT WHERE APPLICABLE MUST REMAIN WITHIN DIMENSIONS	DRAWSIZE: D THIRD ANGLE PROJECTION	SERIES: 34566 MATERIAL NUMBER: SEE BOM TABLE CUSTOMER: GENERAL MARKET	
	DOCUMENT NUMBER: SD-34566-001 DOC TYPE: PSD DOC PART: 000 SHEET NUMBER: 94 OF 98			



STATUS	GM PART #	MATERIAL #	WIRE DRESS OPTION	KEY OPTION	COLOR (TPA)	NUMBERS INDICATE CAVITIES OPEN FOR CIRCUITS																																																																																																														
AVAILABLE	NOT APPLICABLE	34566-8333	9	A	BLACK	<table border="1"> <tr><td>71</td><td>70</td><td>69</td><td>68</td><td>67</td><td>66</td><td>65</td><td>63</td><td>60</td><td>58</td><td>53</td></tr> <tr><td></td><td>50</td><td>49</td><td>48</td><td>47</td><td></td><td></td><td>44</td><td>42</td><td>41</td><td>39</td><td>38</td><td>36</td><td>35</td><td>34</td><td>33</td></tr> <tr><td colspan="2">73</td><td colspan="2">31</td><td colspan="2"></td><td colspan="2">28</td><td colspan="2">26</td><td colspan="2">24</td><td colspan="2">23</td><td colspan="2">22</td><td colspan="2">21</td><td colspan="2">19</td><td colspan="2">18</td><td colspan="2">17</td></tr> <tr><td colspan="2"></td><td colspan="2"></td><td colspan="2">14</td><td colspan="2">12</td><td colspan="2"></td><td colspan="2">8</td><td colspan="2">7</td><td colspan="2">6</td><td colspan="2">5</td><td colspan="2">3</td><td colspan="2">2</td><td colspan="2">1</td></tr> </table>	71	70	69	68	67	66	65	63	60	58	53		50	49	48	47			44	42	41	39	38	36	35	34	33	73		31				28		26		24		23		22		21		19		18		17						14		12				8		7		6		5		3		2		1																																				
71	70	69	68	67	66	65	63	60	58	53																																																																																																										
	50	49	48	47			44	42	41	39	38	36	35	34	33																																																																																																					
73		31				28		26		24		23		22		21		19		18		17																																																																																														
				14		12				8		7		6		5		3		2		1																																																																																														
AVAILABLE	NOT APPLICABLE	34566-8343	9	A	BLACK	<table border="1"> <tr><td>71</td><td>70</td><td>69</td><td>68</td><td>67</td><td>66</td><td>65</td><td>63</td><td>60</td><td>59</td><td></td><td></td><td></td><td></td><td></td><td></td><td></td><td></td><td></td><td></td><td></td><td></td><td></td><td></td></tr> <tr><td></td><td>50</td><td>49</td><td></td><td>47</td><td></td><td></td><td>44</td><td>42</td><td></td><td>39</td><td>38</td><td></td><td>36</td><td>35</td><td>34</td><td>33</td><td></td><td></td><td></td><td></td><td></td><td></td><td></td></tr> <tr><td colspan="2">73</td><td colspan="2">31</td><td colspan="2"></td><td colspan="2">28</td><td colspan="2">26</td><td colspan="2">24</td><td colspan="2">23</td><td colspan="2">22</td><td colspan="2">21</td><td colspan="2">19</td><td colspan="2">18</td><td colspan="2">17</td></tr> <tr><td colspan="2"></td><td colspan="2"></td><td colspan="2">14</td><td colspan="2">12</td><td colspan="2"></td><td colspan="2">8</td><td colspan="2">7</td><td colspan="2">6</td><td colspan="2">5</td><td colspan="2">3</td><td colspan="2">2</td><td colspan="2">1</td></tr> </table>	71	70	69	68	67	66	65	63	60	59																50	49		47			44	42		39	38		36	35	34	33								73		31				28		26		24		23		22		21		19		18		17						14		12				8		7		6		5		3		2		1															
71	70	69	68	67	66	65	63	60	59																																																																																																											
	50	49		47			44	42		39	38		36	35	34	33																																																																																																				
73		31				28		26		24		23		22		21		19		18		17																																																																																														
				14		12				8		7		6		5		3		2		1																																																																																														
AVAILABLE	NOT APPLICABLE	34566-8353	9	A	BLACK	<table border="1"> <tr><td>72</td><td></td><td></td><td></td><td></td><td></td><td></td><td>64</td><td>62</td><td>61</td><td></td><td></td><td></td><td>57</td><td>56</td><td>55</td><td>54</td><td>53</td><td></td><td></td><td></td><td></td><td></td></tr> <tr><td>52</td><td>51</td><td></td><td></td><td></td><td></td><td></td><td>46</td><td>45</td><td>43</td><td>41</td><td>40</td><td></td><td>37</td><td></td><td></td><td></td><td></td><td></td><td></td><td></td><td></td><td></td><td></td></tr> <tr><td colspan="2">73</td><td colspan="2">32</td><td colspan="2">30</td><td colspan="2">29</td><td colspan="2">27</td><td colspan="2">25</td><td colspan="2"></td><td colspan="2"></td><td colspan="2">20</td><td colspan="2"></td><td colspan="2"></td><td colspan="2"></td></tr> <tr><td colspan="2"></td><td colspan="2">16</td><td colspan="2">15</td><td colspan="2">13</td><td colspan="2">11</td><td colspan="2">10</td><td colspan="2">9</td><td colspan="2"></td><td colspan="2">4</td><td colspan="2"></td><td colspan="2"></td><td colspan="2"></td></tr> </table>	72							64	62	61				57	56	55	54	53						52	51						46	45	43	41	40		37											73		32		30		29		27		25						20										16		15		13		11		10		9				4																						
72							64	62	61				57	56	55	54	53																																																																																																			
52	51						46	45	43	41	40		37																																																																																																							
73		32		30		29		27		25						20																																																																																																				
		16		15		13		11		10		9				4																																																																																																				
AVAILABLE	NOT APPLICABLE	34566-8363	9	A	BLACK	<table border="1"> <tr><td>72</td><td></td><td></td><td></td><td></td><td></td><td></td><td>64</td><td>62</td><td>61</td><td></td><td></td><td></td><td>57</td><td>56</td><td>55</td><td>54</td><td>53</td><td></td><td></td><td></td><td></td><td></td></tr> <tr><td>52</td><td>51</td><td></td><td></td><td></td><td></td><td></td><td>46</td><td>45</td><td>43</td><td></td><td>40</td><td></td><td>37</td><td></td><td></td><td></td><td></td><td></td><td></td><td></td><td></td><td></td><td></td></tr> <tr><td colspan="2">73</td><td colspan="2">32</td><td colspan="2">30</td><td colspan="2">29</td><td colspan="2">27</td><td colspan="2">25</td><td colspan="2"></td><td colspan="2"></td><td colspan="2">20</td><td colspan="2"></td><td colspan="2"></td><td colspan="2"></td></tr> <tr><td colspan="2"></td><td colspan="2">16</td><td colspan="2">15</td><td colspan="2">14</td><td colspan="2">13</td><td colspan="2">11</td><td colspan="2">10</td><td colspan="2">9</td><td colspan="2">5</td><td colspan="2">4</td><td colspan="2"></td><td colspan="2"></td></tr> </table>	72							64	62	61				57	56	55	54	53						52	51						46	45	43		40		37											73		32		30		29		27		25						20										16		15		14		13		11		10		9		5		4																				
72							64	62	61				57	56	55	54	53																																																																																																			
52	51						46	45	43		40		37																																																																																																							
73		32		30		29		27		25						20																																																																																																				
		16		15		14		13		11		10		9		5		4																																																																																																		
AVAILABLE	NOT APPLICABLE	34566-8373	9	A	BLACK	<table border="1"> <tr><td>72</td><td></td><td></td><td></td><td></td><td></td><td></td><td>64</td><td>62</td><td>61</td><td></td><td>59</td><td>58</td><td>57</td><td>56</td><td>55</td><td>54</td><td></td><td></td><td></td><td></td><td></td><td></td></tr> <tr><td>52</td><td>51</td><td></td><td></td><td></td><td></td><td></td><td>48</td><td>46</td><td>45</td><td>43</td><td>41</td><td>40</td><td></td><td>37</td><td></td><td>35</td><td>34</td><td></td><td></td><td></td><td></td><td></td><td></td></tr> <tr><td colspan="2">73</td><td colspan="2">32</td><td colspan="2">30</td><td colspan="2">29</td><td colspan="2">27</td><td colspan="2">25</td><td colspan="2"></td><td colspan="2"></td><td colspan="2">20</td><td colspan="2"></td><td colspan="2"></td><td colspan="2"></td></tr> <tr><td colspan="2"></td><td colspan="2">16</td><td colspan="2">15</td><td colspan="2">13</td><td colspan="2">11</td><td colspan="2">10</td><td colspan="2">9</td><td colspan="2"></td><td colspan="2">4</td><td colspan="2">3</td><td colspan="2"></td><td colspan="2"></td></tr> </table>	72							64	62	61		59	58	57	56	55	54							52	51						48	46	45	43	41	40		37		35	34							73		32		30		29		27		25						20										16		15		13		11		10		9				4		3																				
72							64	62	61		59	58	57	56	55	54																																																																																																				
52	51						48	46	45	43	41	40		37		35	34																																																																																																			
73		32		30		29		27		25						20																																																																																																				
		16		15		13		11		10		9				4		3																																																																																																		
AVAILABLE	NOT APPLICABLE	34566-8383	9	A	BLACK	<table border="1"> <tr><td>72</td><td></td><td></td><td></td><td></td><td></td><td></td><td>64</td><td>62</td><td>61</td><td></td><td>59</td><td></td><td>57</td><td>56</td><td>55</td><td>54</td><td></td><td></td><td></td><td></td><td></td><td></td></tr> <tr><td>52</td><td>51</td><td></td><td></td><td></td><td></td><td></td><td>46</td><td>45</td><td>43</td><td></td><td>40</td><td></td><td>37</td><td></td><td>35</td><td>34</td><td></td><td></td><td></td><td></td><td></td><td></td><td></td></tr> <tr><td colspan="2">73</td><td colspan="2">32</td><td colspan="2">30</td><td colspan="2">29</td><td colspan="2">27</td><td colspan="2">25</td><td colspan="2"></td><td colspan="2"></td><td colspan="2">20</td><td colspan="2"></td><td colspan="2"></td><td colspan="2"></td></tr> <tr><td colspan="2"></td><td colspan="2">16</td><td colspan="2">15</td><td colspan="2">13</td><td colspan="2">11</td><td colspan="2">10</td><td colspan="2">9</td><td colspan="2"></td><td colspan="2">4</td><td colspan="2"></td><td colspan="2"></td><td colspan="2"></td></tr> </table>	72							64	62	61		59		57	56	55	54							52	51						46	45	43		40		37		35	34								73		32		30		29		27		25						20										16		15		13		11		10		9				4																						
72							64	62	61		59		57	56	55	54																																																																																																				
52	51						46	45	43		40		37		35	34																																																																																																				
73		32		30		29		27		25						20																																																																																																				
		16		15		13		11		10		9				4																																																																																																				
AVAILABLE	NOT APPLICABLE	34566-8393	0	A	BLACK	<table border="1"> <tr><td>72</td><td></td><td>70</td><td></td><td></td><td></td><td></td><td></td><td>63</td><td>62</td><td></td><td></td><td></td><td></td><td></td><td>56</td><td>55</td><td>54</td><td>53</td><td></td><td></td><td></td><td></td></tr> <tr><td>52</td><td>51</td><td></td><td>49</td><td>48</td><td></td><td></td><td></td><td>43</td><td></td><td></td><td></td><td></td><td></td><td></td><td>36</td><td>35</td><td>34</td><td>33</td><td></td><td></td><td></td><td></td></tr> <tr><td colspan="2">73</td><td colspan="2"></td><td colspan="2">31</td><td colspan="2">30</td><td colspan="2">29</td><td colspan="2">28</td><td colspan="2">27</td><td colspan="2"></td><td colspan="2">24</td><td colspan="2">23</td><td colspan="2">22</td><td colspan="2">21</td><td colspan="2">20</td><td colspan="2">19</td><td colspan="2">18</td><td colspan="2">17</td></tr> <tr><td colspan="2"></td><td colspan="2"></td><td colspan="2">16</td><td colspan="2">15</td><td colspan="2">14</td><td colspan="2">13</td><td colspan="2">12</td><td colspan="2">10</td><td colspan="2">9</td><td colspan="2">8</td><td colspan="2">7</td><td colspan="2">6</td><td colspan="2"></td><td colspan="2">3</td><td colspan="2">2</td><td colspan="2">1</td></tr> </table>	72		70						63	62						56	55	54	53					52	51		49	48				43							36	35	34	33					73				31		30		29		28		27				24		23		22		21		20		19		18		17						16		15		14		13		12		10		9		8		7		6				3		2		1	
72		70						63	62						56	55	54	53																																																																																																		
52	51		49	48				43							36	35	34	33																																																																																																		
73				31		30		29		28		27				24		23		22		21		20		19		18		17																																																																																						
				16		15		14		13		12		10		9		8		7		6				3		2		1																																																																																						
AVAILABLE	NOT APPLICABLE	34566-8413	0	A	BLACK	<table border="1"> <tr><td>72</td><td></td><td>70</td><td></td><td></td><td></td><td></td><td></td><td>63</td><td>62</td><td></td><td></td><td></td><td></td><td></td><td>56</td><td>55</td><td>54</td><td>53</td><td></td><td></td><td></td><td></td></tr> <tr><td>52</td><td>51</td><td></td><td>49</td><td>48</td><td></td><td></td><td></td><td>43</td><td></td><td></td><td></td><td></td><td></td><td></td><td>36</td><td>35</td><td>34</td><td>33</td><td></td><td></td><td></td><td></td></tr> <tr><td colspan="2">73</td><td colspan="2"></td><td colspan="2">31</td><td colspan="2">30</td><td colspan="2">29</td><td colspan="2">28</td><td colspan="2">27</td><td colspan="2"></td><td colspan="2">24</td><td colspan="2">23</td><td colspan="2">22</td><td colspan="2">21</td><td colspan="2">20</td><td colspan="2">19</td><td colspan="2">18</td><td colspan="2">17</td></tr> <tr><td colspan="2"></td><td colspan="2"></td><td colspan="2">16</td><td colspan="2">15</td><td colspan="2">14</td><td colspan="2">12</td><td colspan="2">10</td><td colspan="2">9</td><td colspan="2">8</td><td colspan="2">7</td><td colspan="2">6</td><td colspan="2"></td><td colspan="2">3</td><td colspan="2">2</td><td colspan="2">1</td></tr> </table>	72		70						63	62						56	55	54	53					52	51		49	48				43							36	35	34	33					73				31		30		29		28		27				24		23		22		21		20		19		18		17						16		15		14		12		10		9		8		7		6				3		2		1			
72		70						63	62						56	55	54	53																																																																																																		
52	51		49	48				43							36	35	34	33																																																																																																		
73				31		30		29		28		27				24		23		22		21		20		19		18		17																																																																																						
				16		15		14		12		10		9		8		7		6				3		2		1																																																																																								
AVAILABLE	NOT APPLICABLE	34566-8423	0	C	BLUE	<table border="1"> <tr><td></td><td></td><td></td><td>69</td><td></td><td>67</td><td></td><td></td><td>64</td><td>62</td><td>61</td><td>60</td><td></td><td></td><td>57</td><td></td><td></td><td></td><td>54</td><td></td><td></td><td></td><td></td></tr> <tr><td>52</td><td>51</td><td>50</td><td>49</td><td>48</td><td></td><td></td><td></td><td>46</td><td>45</td><td>44</td><td>42</td><td>41</td><td></td><td>37</td><td></td><td></td><td></td><td>34</td><td>33</td><td></td><td></td><td></td></tr> <tr><td colspan="2">73</td><td colspan="2"></td><td colspan="2"></td><td colspan="2"></td><td colspan="2">28</td><td colspan="2">27</td><td colspan="2">26</td><td colspan="2">25</td><td colspan="2"></td><td colspan="2"></td><td colspan="2"></td><td colspan="2"></td></tr> <tr><td colspan="2"></td><td colspan="2"></td><td colspan="2">16</td><td colspan="2">15</td><td colspan="2">14</td><td colspan="2">13</td><td colspan="2">12</td><td colspan="2">11</td><td colspan="2">10</td><td colspan="2">9</td><td colspan="2">8</td><td colspan="2">7</td><td colspan="2"></td><td colspan="2"></td><td colspan="2"></td></tr> </table>				69		67			64	62	61	60			57				54					52	51	50	49	48				46	45	44	42	41		37				34	33				73								28		27		26		25														16		15		14		13		12		11		10		9		8		7																	
			69		67			64	62	61	60			57				54																																																																																																		
52	51	50	49	48				46	45	44	42	41		37				34	33																																																																																																	
73								28		27		26		25																																																																																																						
				16		15		14		13		12		11		10		9		8		7																																																																																														
AVAILABLE	NOT APPLICABLE	34566-8433	0	H	ST GRAY	<table border="1"> <tr><td></td><td>79</td><td>78</td><td>77</td><td>76</td><td>75</td><td>74</td><td>73</td><td></td><td></td><td>69</td><td></td><td></td><td></td><td></td><td></td><td></td><td></td><td></td><td></td><td></td><td></td><td>61</td></tr> <tr><td></td><td></td><td></td><td></td><td></td><td></td><td></td><td></td><td></td><td></td><td></td><td></td><td></td><td></td><td></td><td></td><td></td><td></td><td></td><td></td><td></td><td></td><td></td></tr> <tr><td>20</td><td></td><td></td><td></td><td></td><td></td><td></td><td></td><td></td><td></td><td>9</td><td></td><td></td><td></td><td></td><td></td><td></td><td></td><td></td><td></td><td></td><td></td><td>1</td></tr> </table>		79	78	77	76	75	74	73			69												61																								20										9												1																																									
	79	78	77	76	75	74	73			69												61																																																																																														
20										9												1																																																																																														



THIS DRAWING CONTAINS INFORMATION THAT IS PROPRIETARY TO MOLEX ELECTRONIC TECHNOLOGIES, LLC AND SHOULD NOT BE USED WITHOUT WRITTEN PERMISSION											
EC NO: 120083 DRWN: APODDATURI CHKD: REV APPR: VKOSHY	2017/07/13	GENERAL TOLERANCES (UNLESS SPECIFIED)		DIMENSION UNITS	SCALE						
	2017/08/08	ANGULAR TOL ± °		MM							
		4 PLACES ±		TYE	2016/05/06						
		3 PLACES ±		CHKD BY	DATE	MX123 66/73/80CKT HRNS CONN ASSY					
		2 PLACES ±		APODDATURI	2017/07/13						
		1 PLACE ±		APPR BY	DATE						
		0 PLACES ±		SKRAJENDRANA	2016/08/22						
DRAFT WHERE APPLICABLE MUST REMAIN WITHIN DIMENSIONS			DRAWING SIZE	THIRD ANGLE PROJECTION	SERIES: 34566 MATERIAL NUMBER: SEE BOM TABLE CUSTOMER: GENERAL MARKET						
G55			D		DOCUMENT NUMBER: SD-34566-001 DOC TYPE: PSD DOC PART: 000 SHEET NUMBER: 95 OF 98						

STATUS	GM PART #	MATERIAL #	WIRE DRESS OPTION	KEY OPTION 	COLOR (TPA) 	NUMBERS INDICATE CAVITIES OPEN FOR CIRCUITS 																																																																								
AVAILABLE	NOT APPLICABLE	34566-8443	0	C	BLUE	<table border="1"> <tr><td>71</td><td>70</td><td></td><td></td><td>67</td><td>66</td><td>65</td><td>64</td><td></td><td></td><td>61</td><td>60</td><td>59</td><td>58</td><td>57</td><td></td><td>54</td><td></td></tr> <tr><td>52</td><td>51</td><td>50</td><td></td><td>48</td><td>47</td><td></td><td>45</td><td>44</td><td></td><td>41</td><td>39</td><td>38</td><td>37</td><td></td><td></td><td>34</td><td>33</td></tr> <tr><td colspan="2">73</td><td></td><td>32</td><td></td><td></td><td></td><td>28</td><td>27</td><td></td><td>25</td><td>23</td><td></td><td></td><td></td><td></td><td>18</td><td>17</td></tr> <tr><td colspan="2"></td><td></td><td>16</td><td>15</td><td>14</td><td>13</td><td>12</td><td>11</td><td>10</td><td>9</td><td>8</td><td>7</td><td>6</td><td>5</td><td></td><td></td><td></td></tr> </table>	71	70			67	66	65	64			61	60	59	58	57		54		52	51	50		48	47		45	44		41	39	38	37			34	33	73			32				28	27		25	23					18	17				16	15	14	13	12	11	10	9	8	7	6	5			
71	70			67	66	65	64			61	60	59	58	57		54																																																														
52	51	50		48	47		45	44		41	39	38	37			34	33																																																													
73			32				28	27		25	23					18	17																																																													
			16	15	14	13	12	11	10	9	8	7	6	5																																																																
AVAILABLE	NOT APPLICABLE	34566-8453	0	A	BLACK	<table border="1"> <tr><td>72</td><td>71</td><td>70</td><td>69</td><td>68</td><td></td><td>66</td><td>65</td><td>64</td><td>63</td><td></td><td>60</td><td></td><td></td><td>57</td><td>56</td><td>54</td><td></td></tr> <tr><td>52</td><td>51</td><td>50</td><td>49</td><td>48</td><td></td><td>46</td><td>45</td><td>44</td><td>43</td><td>42</td><td>40</td><td>39</td><td>38</td><td>37</td><td>36</td><td></td><td>34</td></tr> <tr><td colspan="2">73</td><td></td><td>32</td><td>31</td><td>30</td><td>29</td><td>28</td><td></td><td></td><td></td><td></td><td>23</td><td>22</td><td>21</td><td>20</td><td></td><td></td></tr> <tr><td colspan="2"></td><td></td><td></td><td>15</td><td>14</td><td>13</td><td>12</td><td></td><td></td><td></td><td></td><td>7</td><td>6</td><td>5</td><td>4</td><td></td><td>2</td></tr> </table>	72	71	70	69	68		66	65	64	63		60			57	56	54		52	51	50	49	48		46	45	44	43	42	40	39	38	37	36		34	73			32	31	30	29	28					23	22	21	20							15	14	13	12					7	6	5	4		2
72	71	70	69	68		66	65	64	63		60			57	56	54																																																														
52	51	50	49	48		46	45	44	43	42	40	39	38	37	36		34																																																													
73			32	31	30	29	28					23	22	21	20																																																															
				15	14	13	12					7	6	5	4		2																																																													
AVAILABLE	NOT APPLICABLE	34566-8463	0	B	ST.GRAY	<table border="1"> <tr><td>72</td><td></td><td>70</td><td></td><td>68</td><td></td><td></td><td></td><td></td><td></td><td>62</td><td>61</td><td>60</td><td>59</td><td></td><td></td><td>55</td><td></td></tr> <tr><td>52</td><td></td><td></td><td></td><td>48</td><td>47</td><td>46</td><td></td><td>44</td><td>43</td><td></td><td>41</td><td>40</td><td></td><td>38</td><td>37</td><td>36</td><td>35</td></tr> <tr><td colspan="2">73</td><td></td><td></td><td></td><td></td><td>30</td><td></td><td></td><td></td><td></td><td></td><td></td><td></td><td>22</td><td>21</td><td>20</td><td>19</td></tr> <tr><td colspan="2"></td><td></td><td></td><td>16</td><td>15</td><td>14</td><td></td><td></td><td></td><td></td><td>8</td><td></td><td>6</td><td></td><td>4</td><td></td><td>1</td></tr> </table>	72		70		68						62	61	60	59			55		52				48	47	46		44	43		41	40		38	37	36	35	73						30								22	21	20	19					16	15	14					8		6		4		1
72		70		68						62	61	60	59			55																																																														
52				48	47	46		44	43		41	40		38	37	36	35																																																													
73						30								22	21	20	19																																																													
				16	15	14					8		6		4		1																																																													
AVAILABLE	NOT APPLICABLE	34566-8473	0	C	BLUE	<table border="1"> <tr><td></td><td>71</td><td>70</td><td></td><td></td><td>67</td><td>66</td><td>65</td><td>64</td><td></td><td>62</td><td>61</td><td>60</td><td></td><td>58</td><td>57</td><td>55</td><td>54</td></tr> <tr><td>52</td><td>51</td><td>50</td><td>49</td><td>48</td><td>47</td><td></td><td>45</td><td>44</td><td></td><td>42</td><td>41</td><td></td><td></td><td>38</td><td>37</td><td>35</td><td>34</td></tr> <tr><td colspan="2">73</td><td></td><td></td><td>32</td><td></td><td></td><td></td><td>28</td><td>27</td><td>26</td><td>25</td><td></td><td></td><td></td><td></td><td>19</td><td>18</td></tr> <tr><td colspan="2"></td><td></td><td></td><td>16</td><td>15</td><td>14</td><td>13</td><td>12</td><td>11</td><td>10</td><td>9</td><td>8</td><td>7</td><td>6</td><td>5</td><td></td><td>17</td></tr> </table>		71	70			67	66	65	64		62	61	60		58	57	55	54	52	51	50	49	48	47		45	44		42	41			38	37	35	34	73				32				28	27	26	25					19	18					16	15	14	13	12	11	10	9	8	7	6	5		17
	71	70			67	66	65	64		62	61	60		58	57	55	54																																																													
52	51	50	49	48	47		45	44		42	41			38	37	35	34																																																													
73				32				28	27	26	25					19	18																																																													
				16	15	14	13	12	11	10	9	8	7	6	5		17																																																													
AVAILABLE	NOT APPLICABLE	34566-8483	0	A	BLACK	<table border="1"> <tr><td>72</td><td>71</td><td>70</td><td>69</td><td>68</td><td></td><td>66</td><td>65</td><td>64</td><td>63</td><td></td><td>61</td><td>60</td><td></td><td></td><td>57</td><td>56</td><td>54</td></tr> <tr><td>52</td><td>51</td><td>50</td><td>49</td><td>48</td><td></td><td>46</td><td>45</td><td>44</td><td>43</td><td>42</td><td></td><td>40</td><td>39</td><td>38</td><td>37</td><td>36</td><td>34</td></tr> <tr><td colspan="2">73</td><td></td><td></td><td>32</td><td>31</td><td>30</td><td>29</td><td>28</td><td></td><td></td><td></td><td></td><td>23</td><td>22</td><td>21</td><td>20</td><td></td></tr> <tr><td colspan="2"></td><td></td><td></td><td></td><td>15</td><td>14</td><td>13</td><td>12</td><td></td><td></td><td></td><td></td><td>7</td><td>6</td><td>5</td><td>4</td><td>2</td></tr> </table>	72	71	70	69	68		66	65	64	63		61	60			57	56	54	52	51	50	49	48		46	45	44	43	42		40	39	38	37	36	34	73				32	31	30	29	28					23	22	21	20							15	14	13	12					7	6	5	4	2
72	71	70	69	68		66	65	64	63		61	60			57	56	54																																																													
52	51	50	49	48		46	45	44	43	42		40	39	38	37	36	34																																																													
73				32	31	30	29	28					23	22	21	20																																																														
					15	14	13	12					7	6	5	4	2																																																													
AVAILABLE	NOT APPLICABLE	34566-8493	0	B	ST.GRAY	<table border="1"> <tr><td>72</td><td></td><td>70</td><td></td><td>68</td><td>67</td><td></td><td></td><td></td><td></td><td>62</td><td>61</td><td>60</td><td>59</td><td></td><td></td><td>55</td><td></td></tr> <tr><td>52</td><td></td><td></td><td></td><td>48</td><td>47</td><td>46</td><td></td><td>44</td><td>43</td><td></td><td></td><td>40</td><td></td><td></td><td></td><td></td><td>33</td></tr> <tr><td colspan="2">73</td><td></td><td></td><td></td><td></td><td>30</td><td></td><td></td><td></td><td></td><td></td><td></td><td></td><td>22</td><td>21</td><td>20</td><td>19</td></tr> <tr><td colspan="2"></td><td></td><td></td><td>16</td><td>15</td><td>14</td><td></td><td></td><td></td><td></td><td>8</td><td></td><td>6</td><td></td><td>4</td><td></td><td>17</td></tr> </table>	72		70		68	67					62	61	60	59			55		52				48	47	46		44	43			40					33	73						30								22	21	20	19					16	15	14					8		6		4		17
72		70		68	67					62	61	60	59			55																																																														
52				48	47	46		44	43			40					33																																																													
73						30								22	21	20	19																																																													
				16	15	14					8		6		4		17																																																													
AVAILABLE	NOT APPLICABLE	34566-8513	9	A	BLACK	<table border="1"> <tr><td>72</td><td>71</td><td>70</td><td>69</td><td>68</td><td></td><td>66</td><td>65</td><td>64</td><td>63</td><td></td><td>61</td><td>60</td><td></td><td></td><td>57</td><td>56</td><td>54</td></tr> <tr><td>52</td><td>51</td><td>50</td><td>49</td><td>48</td><td></td><td>46</td><td>45</td><td>44</td><td>43</td><td></td><td></td><td>40</td><td>39</td><td>38</td><td>37</td><td>36</td><td>34</td></tr> <tr><td colspan="2">73</td><td></td><td></td><td>32</td><td>31</td><td>30</td><td>29</td><td>28</td><td></td><td></td><td></td><td></td><td>24</td><td>23</td><td>22</td><td></td><td></td></tr> <tr><td colspan="2"></td><td></td><td></td><td></td><td>15</td><td>14</td><td>13</td><td>12</td><td></td><td></td><td></td><td></td><td>7</td><td>6</td><td>5</td><td></td><td>2</td></tr> </table>	72	71	70	69	68		66	65	64	63		61	60			57	56	54	52	51	50	49	48		46	45	44	43			40	39	38	37	36	34	73				32	31	30	29	28					24	23	22								15	14	13	12					7	6	5		2
72	71	70	69	68		66	65	64	63		61	60			57	56	54																																																													
52	51	50	49	48		46	45	44	43			40	39	38	37	36	34																																																													
73				32	31	30	29	28					24	23	22																																																															
					15	14	13	12					7	6	5		2																																																													
AVAILABLE	NOT APPLICABLE	34566-8523	9	B	ST.GRAY	<table border="1"> <tr><td>72</td><td></td><td>70</td><td></td><td>68</td><td></td><td></td><td></td><td></td><td></td><td>62</td><td>61</td><td></td><td></td><td></td><td></td><td>55</td><td></td></tr> <tr><td>52</td><td></td><td></td><td></td><td>48</td><td>47</td><td>46</td><td></td><td></td><td>43</td><td></td><td></td><td>40</td><td></td><td></td><td></td><td></td><td></td></tr> <tr><td colspan="2">73</td><td></td><td></td><td></td><td></td><td>30</td><td></td><td></td><td></td><td></td><td></td><td></td><td></td><td>22</td><td>21</td><td>20</td><td>19</td></tr> <tr><td colspan="2"></td><td></td><td></td><td>16</td><td>15</td><td>14</td><td></td><td></td><td></td><td></td><td>8</td><td></td><td>6</td><td></td><td>4</td><td></td><td>2</td></tr> </table>	72		70		68						62	61					55		52				48	47	46			43			40						73						30								22	21	20	19					16	15	14					8		6		4		2
72		70		68						62	61					55																																																														
52				48	47	46			43			40																																																																		
73						30								22	21	20	19																																																													
				16	15	14					8		6		4		2																																																													
AVAILABLE	NOT APPLICABLE	34566-8533	9	C	BLUE	<table border="1"> <tr><td></td><td></td><td>70</td><td></td><td></td><td>67</td><td>66</td><td>65</td><td>64</td><td></td><td></td><td>61</td><td>60</td><td></td><td></td><td>57</td><td></td><td>54</td></tr> <tr><td>52</td><td>51</td><td>50</td><td>49</td><td>48</td><td>47</td><td></td><td>45</td><td>44</td><td></td><td>41</td><td></td><td></td><td></td><td>37</td><td></td><td>34</td><td>33</td></tr> <tr><td colspan="2">73</td><td></td><td></td><td>32</td><td></td><td></td><td></td><td>28</td><td>27</td><td>25</td><td></td><td></td><td></td><td></td><td></td><td></td><td>18</td></tr> <tr><td colspan="2"></td><td></td><td></td><td>16</td><td>15</td><td>14</td><td>13</td><td>12</td><td>11</td><td>10</td><td></td><td></td><td></td><td></td><td></td><td></td><td>17</td></tr> </table>			70			67	66	65	64			61	60			57		54	52	51	50	49	48	47		45	44		41				37		34	33	73				32				28	27	25							18					16	15	14	13	12	11	10							17
		70			67	66	65	64			61	60			57		54																																																													
52	51	50	49	48	47		45	44		41				37		34	33																																																													
73				32				28	27	25							18																																																													
				16	15	14	13	12	11	10							17																																																													
AVAILABLE	NOT APPLICABLE	34566-8543	9	C	BLUE	<table border="1"> <tr><td></td><td>71</td><td></td><td>69</td><td></td><td>67</td><td>66</td><td>65</td><td>64</td><td></td><td></td><td>60</td><td></td><td></td><td>57</td><td></td><td>54</td><td></td></tr> <tr><td>52</td><td>51</td><td>50</td><td>49</td><td>48</td><td>47</td><td>46</td><td>45</td><td>44</td><td></td><td></td><td></td><td></td><td></td><td>37</td><td></td><td>34</td><td>33</td></tr> <tr><td colspan="2">73</td><td></td><td></td><td>32</td><td></td><td></td><td></td><td>28</td><td>27</td><td></td><td></td><td></td><td></td><td></td><td></td><td></td><td></td></tr> <tr><td colspan="2"></td><td></td><td></td><td>16</td><td>15</td><td>14</td><td>13</td><td>12</td><td>11</td><td>10</td><td>9</td><td>8</td><td>7</td><td></td><td></td><td></td><td></td></tr> </table>		71		69		67	66	65	64			60			57		54		52	51	50	49	48	47	46	45	44						37		34	33	73				32				28	27													16	15	14	13	12	11	10	9	8	7				
	71		69		67	66	65	64			60			57		54																																																														
52	51	50	49	48	47	46	45	44						37		34	33																																																													
73				32				28	27																																																																					
				16	15	14	13	12	11	10	9	8	7																																																																	

G50

PRE-RELEASE REFERENCE USE ONLY

THIS DRAWING CONTAINS INFORMATION THAT IS PROPRIETARY TO MOLEX ELECTRONIC TECHNOLOGIES, LLC AND SHOULD NOT BE USED WITHOUT WRITTEN PERMISSION	
EC NO: 120093	2017/07/13
DRWN: APODDATURI	2017/08/08
CHKD:	
REV: APPR: VKOSHY	
GENERAL TOLERANCES (UNLESS SPECIFIED) ANGULAR TOL ± ° 4 PLACES ± 3 PLACES ± 2 PLACES ± 1 PLACE ± 0 PLACES ± DRAFT WHERE APPLICABLE MUST REMAIN WITHIN DIMENSIONS	DIMENSION UNITS SCALE
	MM
	DRWN BY DATE
	TYE 2016/05/06
	CHKD BY DATE
	APODDATURI 2017/07/13
	APPR BY DATE
SKRAJENDRANA 2016/08/22	
PRODUCT CUSTOMER DRAWING	
SERIES 34566	MATERIAL NUMBER SEE BOM TABLE
CUSTOMER GENERAL MARKET	
DOCUMENT NUMBER SD-34566-001	
DOC TYPE PSD	DOC PART 000 SHEET NUMBER 96 OF 98



G52

STATUS	GM PART #	MATERIAL #	WIRE DRESS OPTION	KEY OPTION ▽	COLOR (TPA) ▽	NUMBERS INDICATE CAVITIES OPEN FOR CIRCUITS ▽																																																																																																			
SALEABLE	NOT APPLICABLE	34566-8623	9	C	BLUE	<table border="1"> <tr><td></td><td></td><td></td><td></td><td></td><td></td><td>68</td><td></td><td></td><td>65</td><td>63</td><td>62</td><td>61</td><td></td><td></td><td>59</td><td>58</td><td>57</td><td>56</td><td>55</td><td></td><td></td><td>53</td></tr> <tr><td></td><td></td><td></td><td></td><td></td><td></td><td>48</td><td></td><td></td><td>45</td><td>43</td><td>42</td><td>41</td><td></td><td></td><td></td><td></td><td></td><td>37</td><td>36</td><td>35</td><td>34</td><td>33</td><td></td></tr> <tr><td colspan="6">73</td><td>32</td><td>31</td><td></td><td></td><td></td><td></td><td></td><td></td><td></td><td></td><td></td><td></td><td></td><td>20</td><td>19</td><td>18</td><td></td></tr> <tr><td colspan="6">73</td><td></td><td></td><td></td><td></td><td></td><td></td><td></td><td></td><td></td><td></td><td></td><td></td><td></td><td>4</td><td>3</td><td>2</td><td>1</td><td></td></tr> </table>							68			65	63	62	61			59	58	57	56	55			53							48			45	43	42	41						37	36	35	34	33		73						32	31												20	19	18		73																			4	3	2	1						
						68			65	63	62	61			59	58	57	56	55			53																																																																																			
						48			45	43	42	41						37	36	35	34	33																																																																																			
73						32	31												20	19	18																																																																																				
73																			4	3	2	1																																																																																			
SALEABLE	NOT APPLICABLE	34566-8633	0	B	STONE GRAY	<table border="1"> <tr><td>72</td><td></td><td></td><td></td><td></td><td></td><td></td><td></td><td></td><td></td><td></td><td></td><td>62</td><td>61</td><td></td><td></td><td></td><td></td><td></td><td></td><td></td><td></td><td></td></tr> <tr><td>52</td><td></td><td></td><td></td><td></td><td></td><td>48</td><td>47</td><td>46</td><td></td><td></td><td></td><td>43</td><td></td><td></td><td></td><td></td><td></td><td></td><td></td><td></td><td></td><td></td><td></td></tr> <tr><td colspan="6">73</td><td></td><td></td><td>30</td><td></td><td></td><td></td><td></td><td></td><td></td><td></td><td></td><td>22</td><td>21</td><td>20</td><td>19</td><td>18</td><td>17</td><td></td></tr> <tr><td colspan="6">73</td><td>16</td><td>15</td><td>14</td><td></td><td></td><td></td><td></td><td></td><td></td><td></td><td></td><td>6</td><td></td><td>4</td><td></td><td></td><td></td><td></td><td></td></tr> </table>	72												62	61										52						48	47	46				43												73								30									22	21	20	19	18	17		73						16	15	14									6		4								
72												62	61																																																																																												
52						48	47	46				43																																																																																													
73								30									22	21	20	19	18	17																																																																																			
73						16	15	14									6		4																																																																																						
SALEABLE	NOT APPLICABLE	34566-8643	0	C	BLUE	<table border="1"> <tr><td></td><td></td><td>71</td><td>70</td><td></td><td></td><td></td><td>67</td><td>66</td><td></td><td></td><td>64</td><td></td><td></td><td>61</td><td>60</td><td></td><td></td><td>57</td><td></td><td></td><td></td><td>54</td></tr> <tr><td>52</td><td>51</td><td>50</td><td>49</td><td>48</td><td></td><td></td><td></td><td>45</td><td>44</td><td></td><td></td><td></td><td>41</td><td></td><td></td><td></td><td></td><td>37</td><td></td><td></td><td></td><td>34</td><td>33</td></tr> <tr><td colspan="6">73</td><td>32</td><td></td><td></td><td></td><td>28</td><td>27</td><td></td><td>25</td><td></td><td></td><td></td><td></td><td></td><td></td><td></td><td></td><td>18</td><td>17</td></tr> <tr><td colspan="6">73</td><td>16</td><td>15</td><td>14</td><td>13</td><td>12</td><td>11</td><td>10</td><td>9</td><td>8</td><td>7</td><td></td><td></td><td></td><td></td><td></td><td></td><td></td><td></td><td></td></tr> </table>			71	70				67	66			64			61	60			57				54	52	51	50	49	48				45	44				41					37				34	33	73						32				28	27		25									18	17	73						16	15	14	13	12	11	10	9	8	7												
		71	70				67	66			64			61	60			57				54																																																																																			
52	51	50	49	48				45	44				41					37				34	33																																																																																		
73						32				28	27		25									18	17																																																																																		
73						16	15	14	13	12	11	10	9	8	7																																																																																										
SALEABLE	NOT APPLICABLE	34566-8653	9	C	BLUE	<table border="1"> <tr><td></td><td></td><td>71</td><td></td><td></td><td>69</td><td></td><td></td><td>67</td><td>66</td><td>65</td><td>64</td><td>63</td><td></td><td>61</td><td>60</td><td></td><td></td><td>57</td><td></td><td></td><td></td><td></td><td></td></tr> <tr><td>52</td><td>51</td><td>50</td><td></td><td></td><td>48</td><td>47</td><td>46</td><td>45</td><td></td><td></td><td></td><td>43</td><td></td><td>41</td><td></td><td></td><td></td><td>37</td><td></td><td></td><td></td><td>34</td><td>33</td></tr> <tr><td colspan="6">73</td><td></td><td></td><td></td><td></td><td>28</td><td>27</td><td></td><td>25</td><td></td><td></td><td></td><td></td><td></td><td></td><td></td><td></td><td></td><td></td></tr> <tr><td colspan="6">73</td><td>16</td><td>15</td><td>14</td><td>13</td><td>12</td><td>11</td><td>10</td><td>9</td><td>8</td><td>7</td><td></td><td></td><td></td><td></td><td></td><td></td><td></td><td></td><td></td></tr> </table>			71			69			67	66	65	64	63		61	60			57						52	51	50			48	47	46	45				43		41				37				34	33	73										28	27		25											73						16	15	14	13	12	11	10	9	8	7											
		71			69			67	66	65	64	63		61	60			57																																																																																							
52	51	50			48	47	46	45				43		41				37				34	33																																																																																		
73										28	27		25																																																																																												
73						16	15	14	13	12	11	10	9	8	7																																																																																										
SALEABLE	NOT APPLICABLE	34566-8663	0	B	STONE GRAY	<table border="1"> <tr><td>72</td><td>71</td><td>70</td><td>69</td><td></td><td></td><td></td><td></td><td></td><td></td><td>64</td><td>63</td><td></td><td>61</td><td>60</td><td></td><td></td><td>58</td><td>57</td><td>56</td><td>55</td><td></td><td></td></tr> <tr><td>52</td><td>51</td><td>50</td><td>49</td><td></td><td></td><td></td><td></td><td></td><td></td><td></td><td>43</td><td></td><td></td><td></td><td></td><td></td><td>38</td><td>37</td><td>36</td><td></td><td></td><td>33</td></tr> <tr><td colspan="6">73</td><td>32</td><td></td><td>30</td><td>29</td><td>28</td><td></td><td>26</td><td>25</td><td>24</td><td>23</td><td>22</td><td>21</td><td>20</td><td></td><td></td><td></td><td></td><td></td></tr> <tr><td colspan="6">73</td><td>16</td><td>15</td><td>14</td><td>13</td><td>12</td><td>11</td><td>10</td><td>9</td><td>8</td><td>7</td><td>6</td><td>5</td><td>4</td><td></td><td></td><td></td><td></td><td></td><td></td></tr> </table>	72	71	70	69							64	63		61	60			58	57	56	55			52	51	50	49								43						38	37	36			33	73						32		30	29	28		26	25	24	23	22	21	20						73						16	15	14	13	12	11	10	9	8	7	6	5	4										
72	71	70	69							64	63		61	60			58	57	56	55																																																																																					
52	51	50	49								43						38	37	36			33																																																																																			
73						32		30	29	28		26	25	24	23	22	21	20																																																																																							
73						16	15	14	13	12	11	10	9	8	7	6	5	4																																																																																							
SALEABLE	NOT APPLICABLE	34822-0223	0	A	BLACK	<table border="1"> <tr><td></td><td></td><td></td><td></td><td></td><td></td><td></td><td></td><td></td><td></td><td></td><td></td><td></td><td>54</td><td>53</td><td></td><td>51</td><td></td><td>49</td><td></td><td></td><td></td><td></td><td>66</td></tr> <tr><td colspan="6">65</td><td></td><td></td><td></td><td></td><td></td><td></td><td></td><td>38</td><td>37</td><td></td><td>35</td><td></td><td>33</td><td></td><td></td><td></td><td></td><td></td><td></td></tr> <tr><td colspan="6">65</td><td></td><td></td><td>31</td><td></td><td></td><td>28</td><td></td><td></td><td></td><td>24</td><td>23</td><td>22</td><td>21</td><td>20</td><td>19</td><td>18</td><td>17</td><td></td><td></td></tr> <tr><td colspan="6">65</td><td></td><td></td><td>15</td><td>14</td><td>13</td><td></td><td></td><td></td><td></td><td>8</td><td>7</td><td></td><td></td><td></td><td>4</td><td>3</td><td>2</td><td>1</td><td></td></tr> </table>														54	53		51		49					66	65													38	37		35		33							65								31			28				24	23	22	21	20	19	18	17			65								15	14	13					8	7				4	3	2	1	
													54	53		51		49					66																																																																																		
65													38	37		35		33																																																																																							
65								31			28				24	23	22	21	20	19	18	17																																																																																			
65								15	14	13					8	7				4	3	2	1																																																																																		

PRE-RELEASE REFERENCE USE ONLY

THIS DRAWING CONTAINS INFORMATION THAT IS PROPRIETARY TO MOLEX ELECTRONIC TECHNOLOGIES, LLC AND SHOULD NOT BE USED WITHOUT WRITTEN PERMISSION

EC NO: 120083 DRWN: APODDATURI CHK'D: REV APPR: VKOSHY	2017/07/13	GENERAL TOLERANCES (UNLESS SPECIFIED)	DIMENSION UNITS	SCALE		
	2017/08/08	ANGULAR TOL ± °	MM			
		4 PLACES ±	DRWN BY	DATE		MX123 66/73/80CKT HRNS CONN ASSY
		3 PLACES ±	TYE	2016/05/06		
		2 PLACES ±	CHKD BY	DATE		
		1 PLACE ±	APODDATURI	2017/07/13		PRODUCT CUSTOMER DRAWING
	0 PLACES ±	SKRAJENDRANA	2016/08/22			
	DRAFT WHERE APPLICABLE MUST REMAIN WITHIN DIMENSIONS	DRAWING SIZE	THIRD ANGLE PROJECTION			
G55		D				

SERIES	MATERIAL NUMBER	CUSTOMER
34566	SEE BOM TABLE	GENERAL MARKET
DOCUMENT NUMBER	DOC TYPE	DOC PART SHEET NUMBER
SD-34566-001	PSD	000 98 OF 98