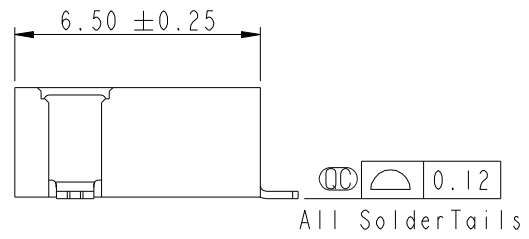
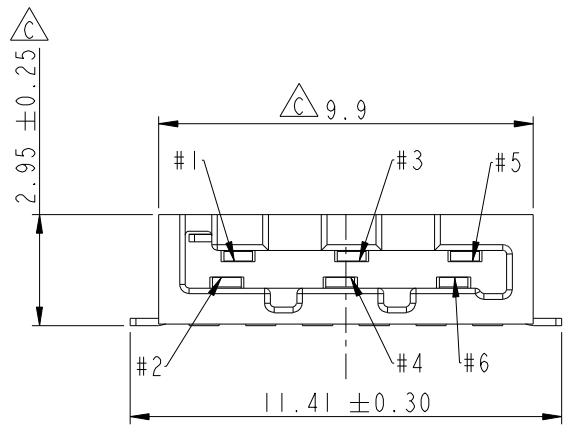
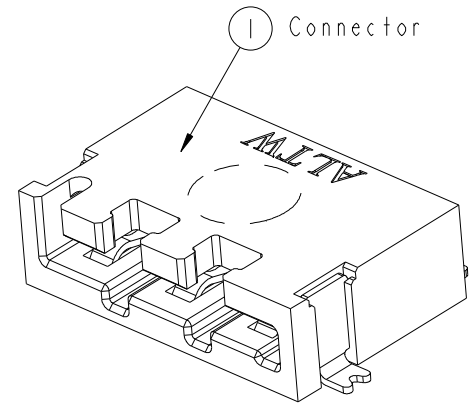
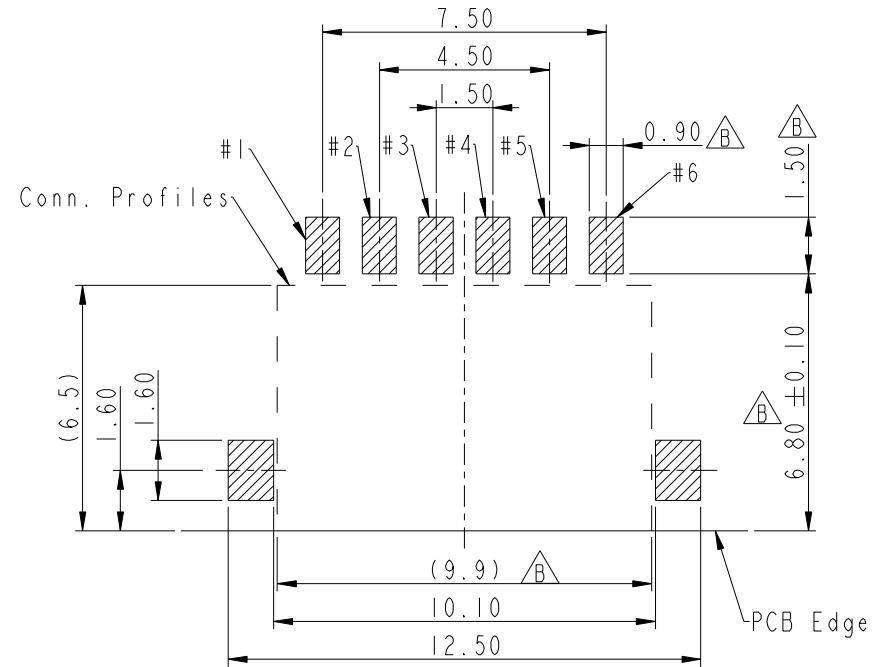
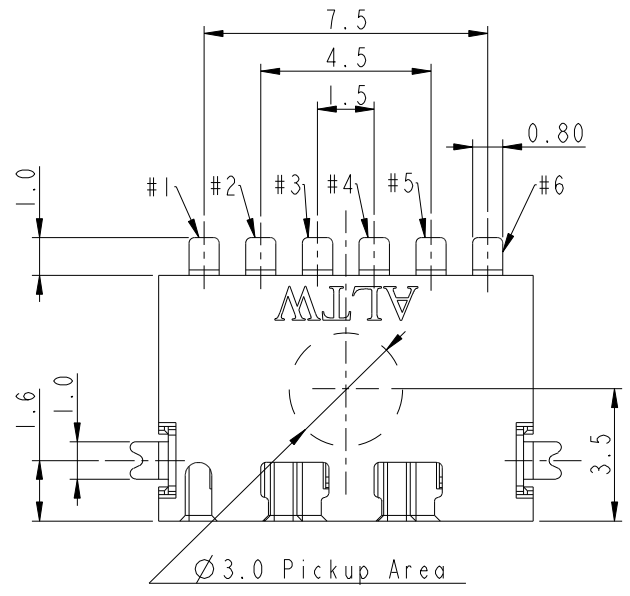
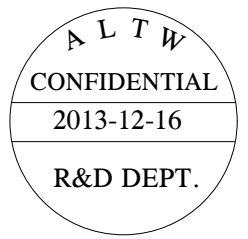


THIS DOCUMENT IS SUBJECT TO CHANGE WITHOUT NOTICE. IT IS CONFIDENTIAL AND A PROPERTY OF Amphenol LTW. DISCLOSURE TO THIRD PARTY HAS TO BE AUTHORIZED BY Amphenol LTW.

| REV. | ECN NO. | DATE | SIGN | DESCRIPTION |
|------|-----------------|------------|--------|----------------------------|
| A | Initial Release | 2012-12-06 | Fisher | Initial Release |
| B | LEN1310209 | 2013-02-20 | Fisher | Change Plating |
| C | LE313C0109 | 2013-12-16 | Fisher | Change Plating and Package |



RECOMMENDED P.C.B. LAYOUT
GENERAL TOLERANCE IS ±0.05



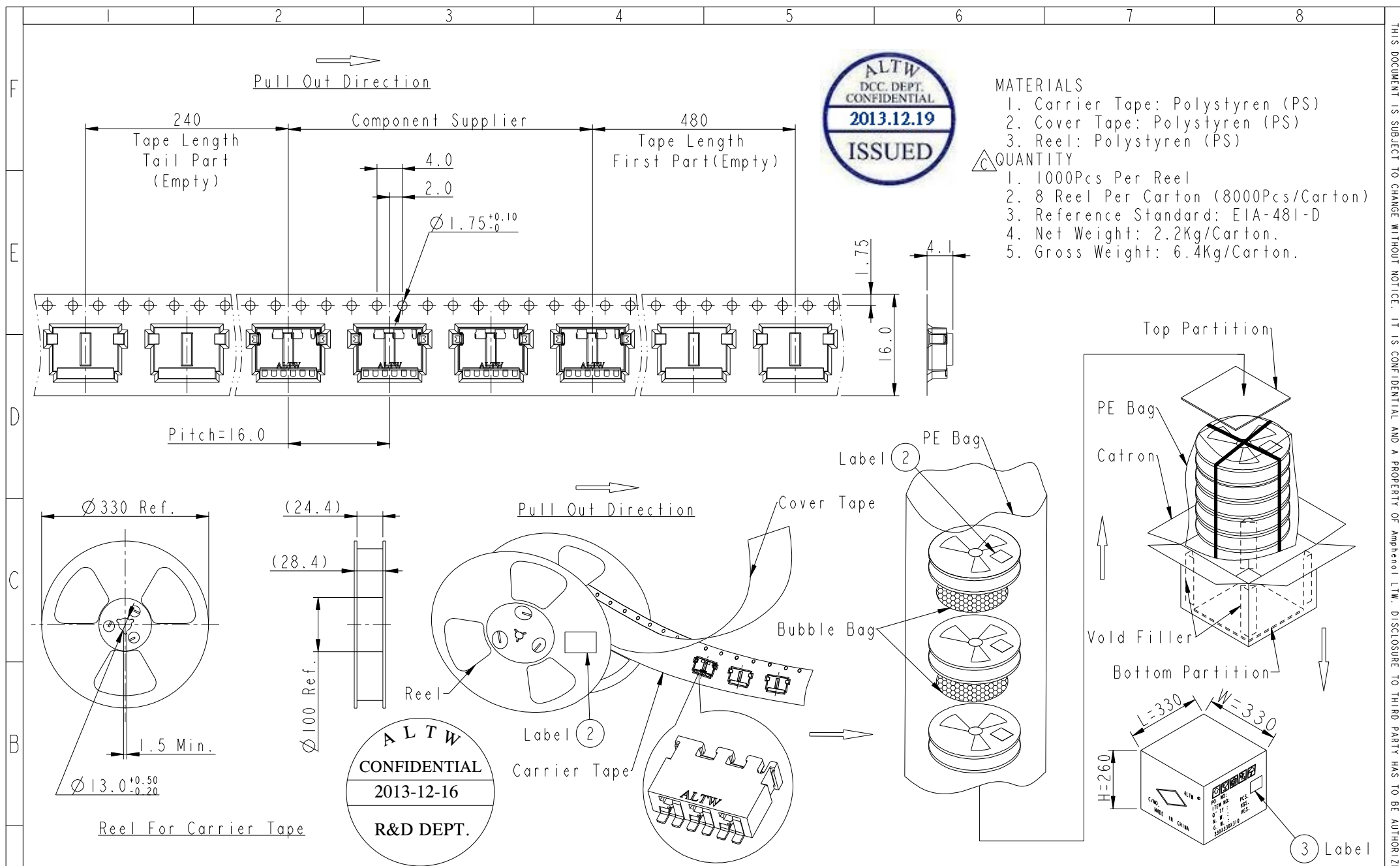
- Notes:
- * Important Dimension To Check.
 - * Housing: High temperature thermoplastic. UL94V-0, color is Natural white.
 - * Terminal: Copper Alloy, Gold Plated on contact area. Tin plated on solder tails.
 - * Solder Peg: Copper Alloy, Tin plated over Nickel.

| | | | |
|---|----------------|-----------------|---|
| UNIT: mm | | | TITLE SSL-1.1 DC JACK CONNECTOR 6-POS. W/O POST, SMT TYPE |
| TOLERANCE .X ±0.25 .XX ±0.1 .XXX ±0.05 ANGLES ±1° | SCALE 5:1 | SIZE A4 | SHEET 1 OF 2 |
| REV. C | WC-REV. C.2 | Inspection item | |

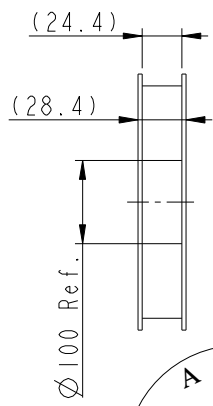
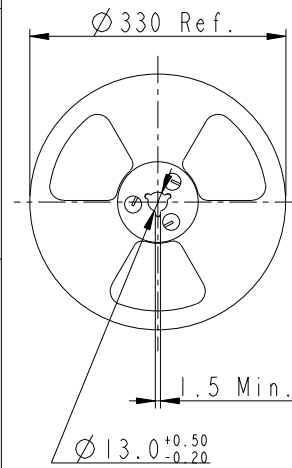
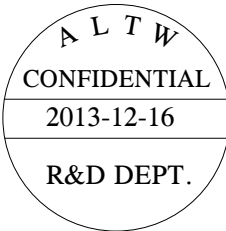
Amphenol LTW
安費諾亮泰企業股份有限公司

| | | |
|--------------------------------|-------------------------|--------------------|
| ITEM NO. SSL11-J6D00-000001 | DRAWN BY Fisher_Wang | DATE 2013-12-16 |
| DWG NO. SSL11-J6D00-000001 | CHECKED BY Ivan_Lin | DATE 2013-12-16 |
| CUSTOMER ALTW | APPROVED BY Kevin_Hu | DATE 2013-12-16 |

THIS DOCUMENT IS SUBJECT TO CHANGE WITHOUT NOTICE. IT IS CONFIDENTIAL AND A PROPERTY OF Amphenol LTW. DISCLOSURE TO THIRD PARTY HAS TO BE AUTHORIZED BY Amphenol LTW.



- MATERIALS**
- Carrier Tape: Polystyren (PS)
 - Cover Tape: Polystyren (PS)
 - Reel: Polystyren (PS)
- QUANTITY**
- 1000Pcs Per Reel
 - 8 Reel Per Carton (8000Pcs/Carton)
 - Reference Standard: EIA-481-D
 - Net Weight: 2.2Kg/Carton.
 - Gross Weight: 6.4Kg/Carton.



| | | |
|----------------|-------|--|
| UNIT:mm | | |
| TOLERANCE | | |
| .X | ±0.25 | |
| .XX | ±0.1 | |
| .XXX | ±0.05 | |
| ANGLES | ±1° | |

| | | | |
|---|-----|---------|--------|
| TITLE SSL-1.1 DC JACK CONNECTOR 6-POS. W/O POST, SMT TYPE | | | |
| SCALE | 5:1 | SIZE | A4 |
| REV. | C | WC-REV. | C.2 |
| | | SHEET | 2 OF 2 |
| QC: Inspection item | | | |

Amphenol LTW
安費諾亮泰企業股份有限公司

| | | | | | |
|----------|--------------------|-------------|-------------|------|------------|
| ITEM NO | SSL11-J6D00-000001 | DRAWN BY | Fisher_Wang | DATE | 2013-12-16 |
| DWG NO | SSL11-J6D00-000001 | CHECKED BY | Ivan_Lin | DATE | 2013-12-16 |
| CUSTOMER | ALTW | APPROVED BY | Kevin_Hu | DATE | 2013-12-16 |