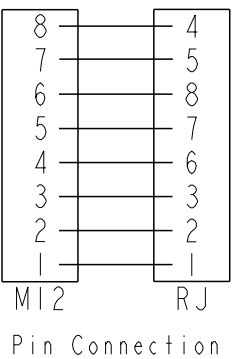
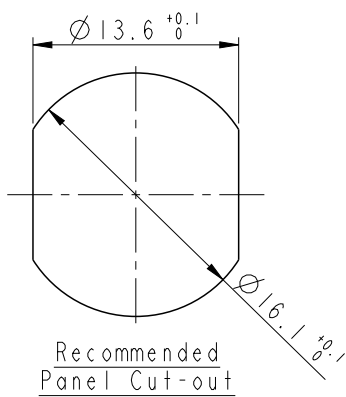
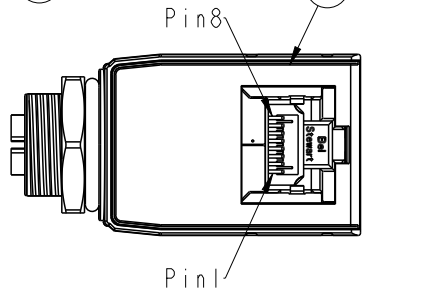
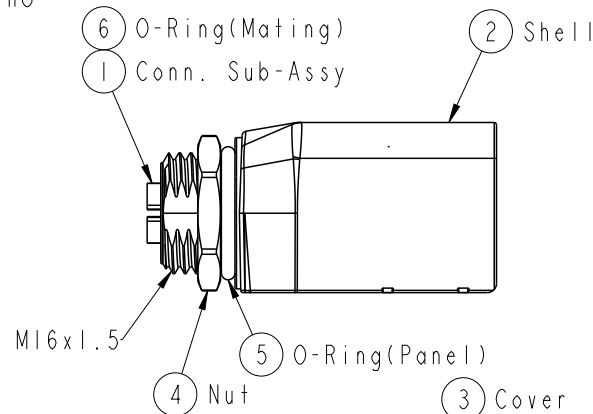
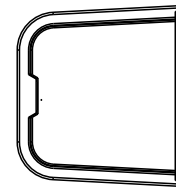
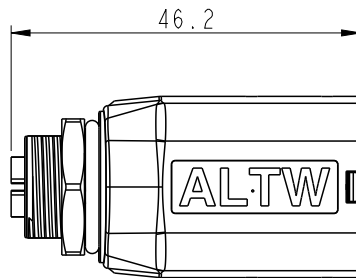
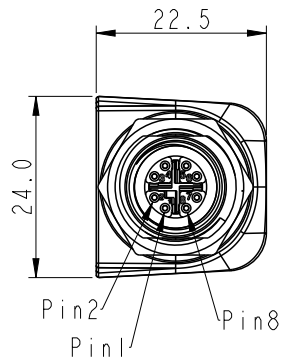


ALTW
CONFIDENTIAL
 2017-11-24
 R&D DEPT.

ALTW
 DCC. DEPT.
 CONFIDENTIAL
 2017.12.12
 ISSUED

REV.	ECN NO.	DATE	SIGN	DESCRIPTION



- Note:
- * \varnothing Important Dimension to Check.
 - * Waterproof Rate: IP67 Unmated (M12 side)
 - * M12 Housing: Nylon+GF, Black
 - * M12 Female Pin: Copper Alloy, Gold Plated
 - * RJ45 Contacts: Copper Alloy, Gold Plated
 - * Shell: Zinc Alloy, Nickel Plated
 - * Cover: Nylon+GF, Black
 - * Nut: Zinc Alloy, Nickel Plated
 - * Temperature Range: -25~+85°C
 - * Transmission Rate: FLUKE TIA Cat 6A Perm. Link
 - * Panel Thickness Max.: 3.0mm

UNIT: mm

TOLERANCE	
.X	± 0.25
.XX	± 0.1
.XXX	± 0.05
ANGLES	$\pm 1^\circ$

TITLE M12 X-code to RJ45 ADAPTER ANGLED			
SCALE	SIZE	SHEET	OF
1:1	A4	1	1
REV.	WC-REV.	QC: Inspection item	
A	A.29		

Amphenol LTW
 安費諾亮泰企業股份有限公司

ITEM NO.	RJS-12X08FF-RS7001	DRAWN BY	Gaotong	DATE	2017/11/24
DWG NO.	RJS-12X08FF-RS7001	CHECKED BY	Neo	DATE	2017/11/24
CUSTOMER	ALTW	APPROVED BY	Max	DATE	2017/11/24

THIS DOCUMENT IS SUBJECT TO CHANGE WITHOUT NOTICE. IT IS CONFIDENTIAL AND A PROPERTY OF Amphenol LTW. DISCLOSURE TO THIRD PARTY HAS TO BE AUTHORIZED BY Amphenol LTW.