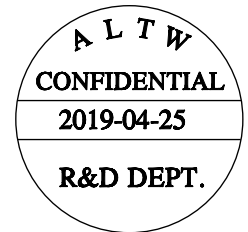
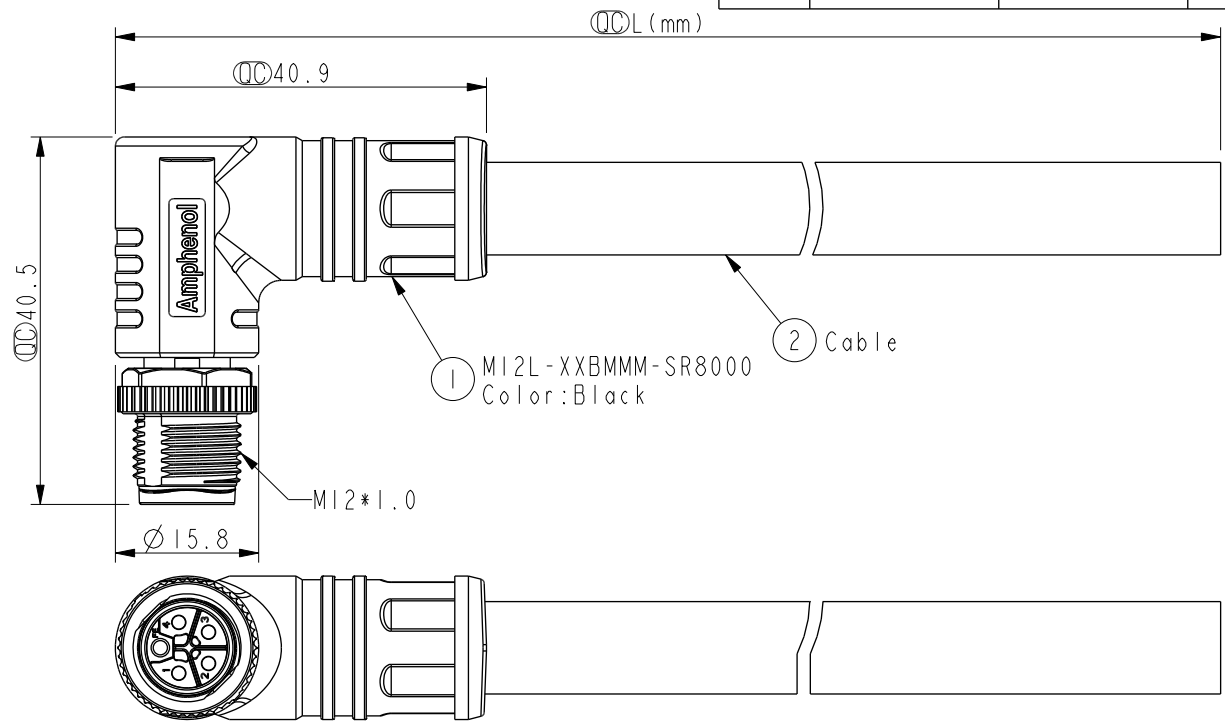


THIS DOCUMENT IS SUBJECT TO CHANGE WITHOUT NOTICE. IT IS CONFIDENTIAL AND A PROPERTY OF Amphenol LTW. DISCLOSURE TO THIRD PARTY HAS TO BE AUTHORIZED BY Amphenol LTW.

REV.	ECN NO.	DATE	SIGN	DESCRIPTION
A		2019-04-25	Allen Pan	05版轉A



4	-	-	4	-	-	4	Gray	黑	4	-	-	4	-	-	4	Gray	黑
3	Blue	藍	3	Blue	藍	3	Blue	藍	3	Blue	藍	3	Blue	藍	3	Blue	藍
2	Black	白	2	Black	白	2	Black	白	2	Black	白	2	Black	白	2	Black	白
1	-	-	1	White	棕	1	White	棕	1	-	-	1	White	棕	1	White	棕
FE	-	-	FE	-	-	FE	-	-	FE	Brown	灰	FE	Brown	灰	FE	Brown	灰
Pin #	Wire		Pin #	Wire		Pin #	Wire		Pin #	Wire		Pin #	Wire		Pin #	Wire	
2P			3P			4P			2+FE			3+FE			4+FE		

Pin Assignments Front View

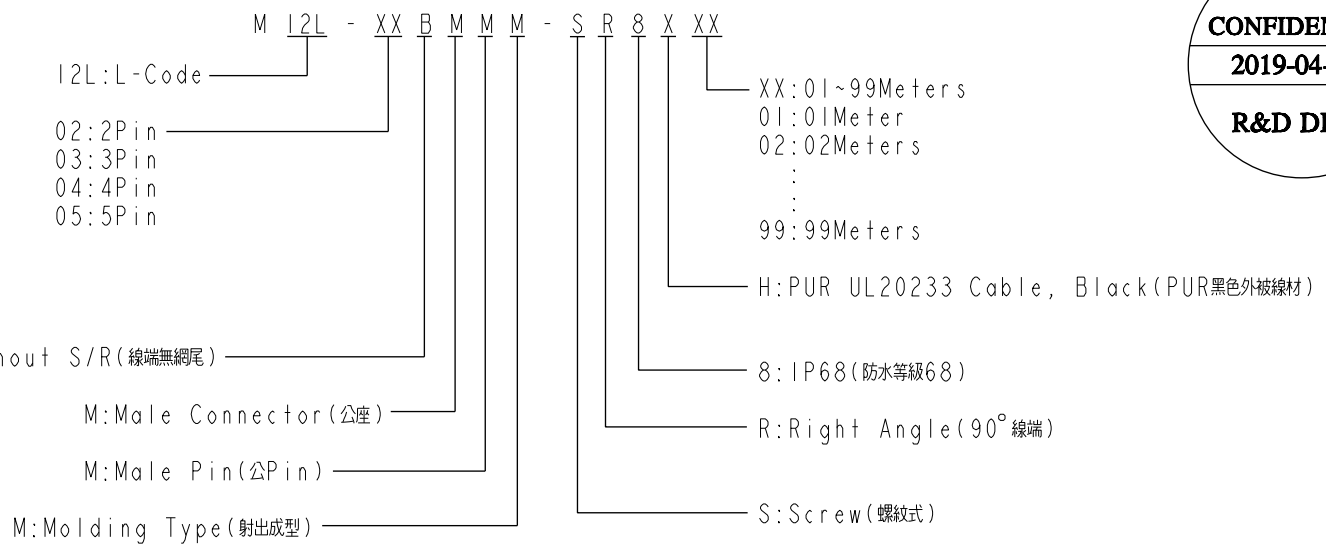
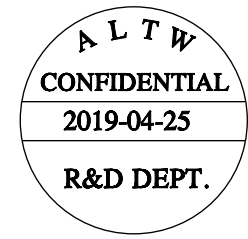
- Notes:
- \* Important Dimension to Check.
  - \* Waterproof Rate: IP68(1M, 24Hour).
  - \* Housing: Thermoplastic, Black.
  - \* Pin: Copper Alloy, Gold Plated.
  - \* Nut: Zinc Alloy, Nickel Plated.
  - \* Outer Mold: Thermoplastic, Black.
  - \* Inner Mold: Thermoplastic, Black.
  - \* Cable: UL20233, 14AWG, PUR Jacket, Black
  - \* Rated Voltage: 63V DC.
  - \* Rated Current: 16A
  - \* Operating Temperature: -25~80°C
  - \* Cable Length Tolerance: 01M:±40mm  
02M~05M:±60mm  
06M~10M:±100mm  
11M~30M:±200mm  
31M~99M:±500mm

UNIT:mm		TITLE
TOLERANCE	$\pm 0.5mm$	M12 L-CODE, R/A TYPE, MALE CONN + CABLE
SCALE	6:5	SIZE A4
REV.	A	WC-REV. A.7
		SHEET 1 OF 2
		◎: Inspection item

**Amphenol LTW**  
安費諾亮泰企業股份有限公司

ITEM NO	M12L-XXBMMM-SR8XXX	DRAWN BY	Allen Pan	DATE	2019-04-25
DWG NO	M12L-XXBMMM-SR8XXX	CHECKED BY	Fred Lee	DATE	2019-04-25
CUSTOMER	ALTW	APPROVED BY	Fred Lee	DATE	2019-04-25

THIS DOCUMENT IS SUBJECT TO CHANGE WITHOUT NOTICE. IT IS CONFIDENTIAL AND A PROPERTY OF Amphenol LTW. DISCLOSURE TO THIRD PARTY HAS TO BE AUTHORIZED BY Amphenol LTW.



UNIT: mm		
TOLERANCE		
±0.5mm		

TITLE MI2 L-CODE, R/A TYPE, MALE CONN + CABLE			
SCALE 6:5	SIZE A4	SHEET 2 OF 2	
REV. A	WC-REV. A.7	QC: Inspection item	

**Amphenol LTW**  
安費諾亮泰企業股份有限公司

ITEM NO MI2L-XXBMMM-SR8XXX	DRAWN BY Allen Pan	DATE 2019-04-25
DWG NO MI2L-XXBMMM-SR8XXX	CHECKED BY Fred Lee	DATE 2019-04-25
CUSTOMER ALTW	APPROVED BY Fred Lee	DATE 2019-04-25