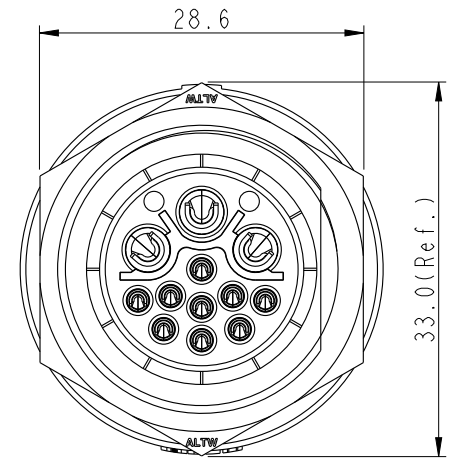
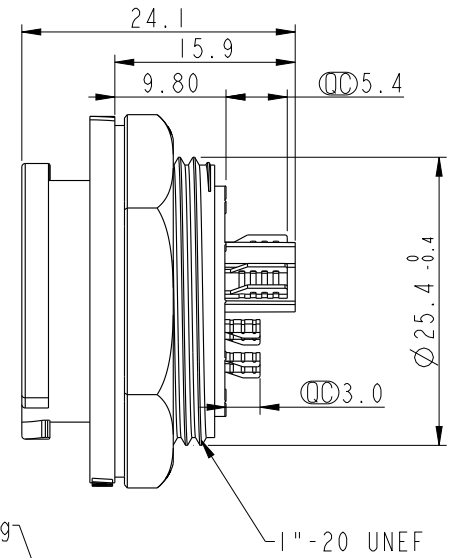
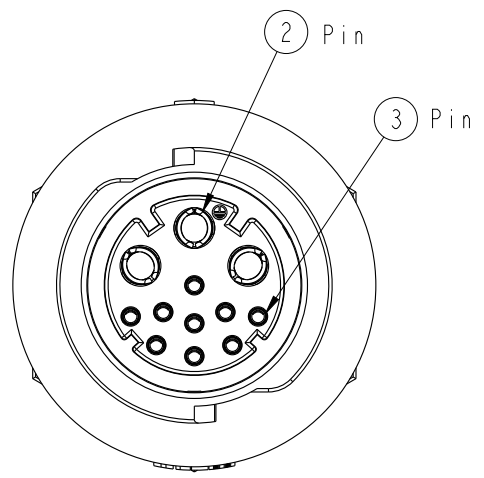


THIS DOCUMENT IS SUBJECT TO CHANGE WITHOUT NOTICE. IT IS CONFIDENTIAL AND A PROPERTY OF AMPHENOL LTW. DISCLOSURE TO THIRD PARTY HAS TO BE AUTHORIZED BY AMPHENOL LTW.

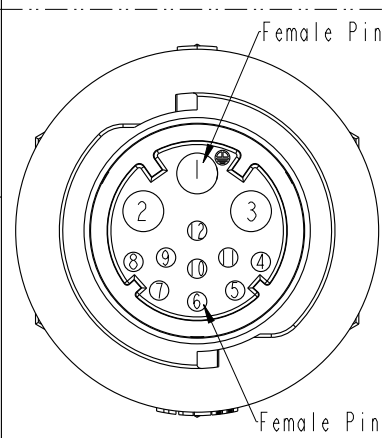
REV.	ECN NO.	DATE	SIGN	DESCRIPTION
A	Initial Release	2016-04-26	Spring	Change Rev.01 To Rev.A

ALTW
DCC. DEPT.
CONFIDENTIAL
2016.05.05
ISSUED

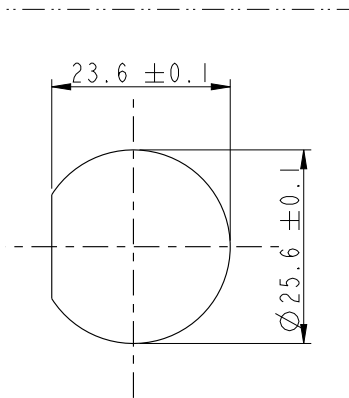
ALTW
CONFIDENTIAL
2016-04-26
R&D DEPT.



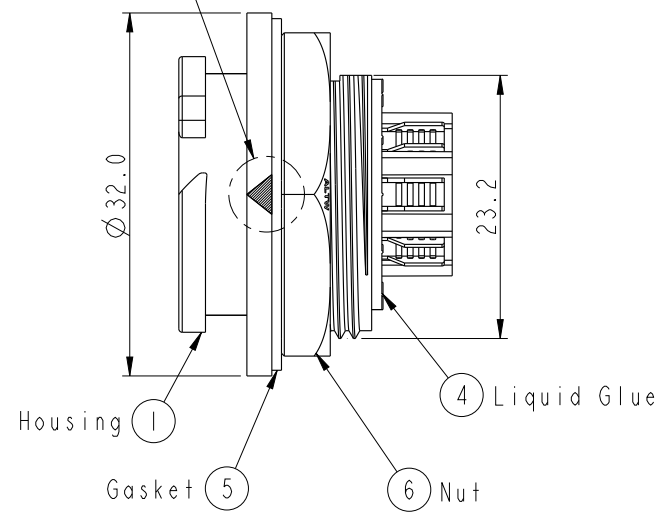
White Printing



Pin Assignments
Front View



Recommended Panel
Cut-Out



- Note:
- * \varnothing Important Dimension To Check.
 - * Waterproof Rate: IP68(Unmated)
In 1 meter water within 24 hours
 - * Working Voltage Rating:
Power AC/DC 300V
Data DC 30V
 - * Working Current:
Power: 20A
Data: 05A
 - * Housing: Nylon+GF, Black
 - * Pin: Copper Alloy, Gold Plated
 - * Nut: Nylon+GF, Black
 - * Gasket: Silicone, Gray
 - * Panel Thickness Max: 3.6mm

UNIT:mm

TOLERANCE	
.X	±0.25
.XX	±0.1
.XXX	±0.05
ANGLES	±1°

TITLE X-Lok D Size Hybrid Receptacle 3 Female Pin+ 09 Female Pin			
SCALE	SIZE	SHEET	OF
3:2	A4	1	1
REV.	WC-REV.	QC: Inspection item	
A	A.2		

Amphenol LTW
安費諾亮泰企業股份有限公司

ITEM NO.	DCD-12RMFS-QC8001	DRAWN BY	Spring	DATE	2016-04-26
DWG NO.	DCD-12RMFS-QC8001	CHECKED BY	Fisher	DATE	2016-04-26
CUSTOMER	ALTW	APPROVED BY	Kevin	DATE	2016-04-26