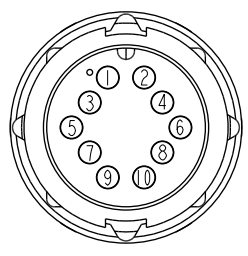
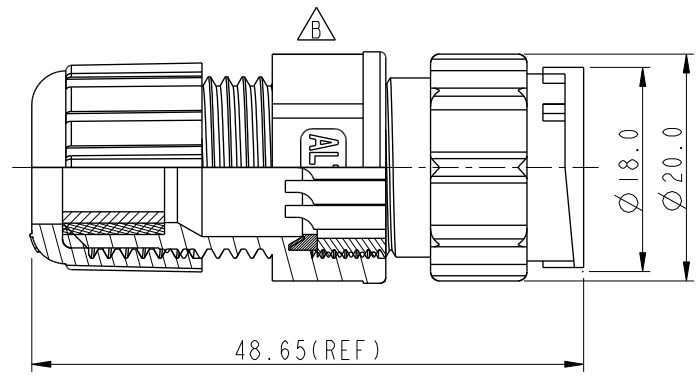
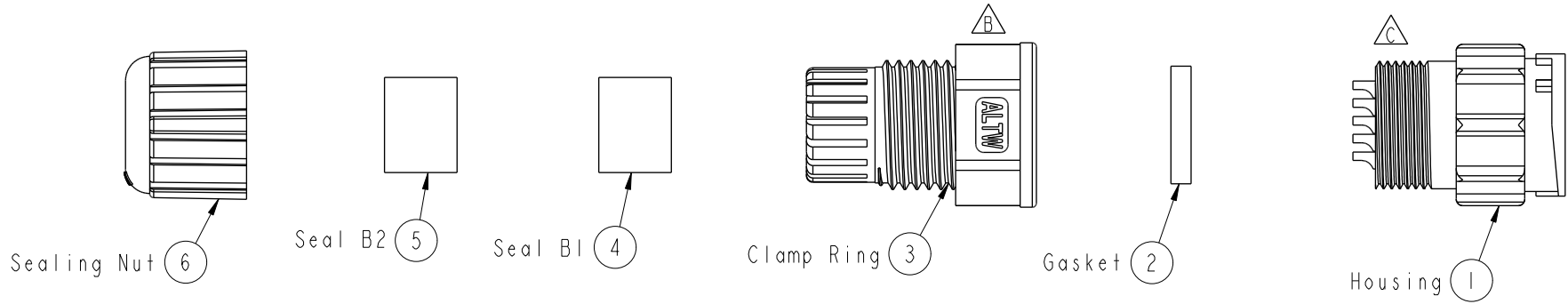


THIS DOCUMENT IS SUBJECT TO CHANGE WITHOUT NOTICE. IT IS CONFIDENTIAL AND A PROPERTY OF AMPHENOL LTW. DISCLOSURE TO THIRD PARTY HAS TO BE AUTHORIZED BY AMPHENOL LTW.

REV.	ECN NO.	DATE	SIGN	DESCRIPTION
B	LEN1741322	2017/04/24	Ruru	Change Logo
C	C200915	2020/06/17	Ruru	$\triangle C$ X3



Pin Assignments
Front View 前視圖

- $\triangle C$ $\triangle B$ Note:
- * QC Important Dimension To Check
 - * Waterproof Rate: IP67
 - * Housing: Thermoplastic, Black
 - * Male Pin: Copper Alloy, Gold Plated
 - * Gasket: Rubber, Black
 - * Seals: Rubber, Black
 - * Clamp Ring: Thermoplastic, Black
 - * Sealing Nut: Thermoplastic, Black
 - * Seals B1 for Cable OD: $\varnothing 7.6\text{mm} \sim \varnothing 9.6\text{mm}$
 - * Seals B2 for Cable OD: $\varnothing 4.0\text{mm} \sim \varnothing 7.6\text{mm}$
 - * One Set Unassembled In One PE Bag

UNIT: mm		
TOLERANCE	.X ± 0.25	
	.XX ± 0.1	
	.XXX ± 0.05	
ANGLES	$\pm 1^\circ$	

TITLE O CERES, C-5A, 10P, CABLE W/O SR M, M, FI SOLDER, 2LOCK $\triangle C$			
SCALE 1:1	SIZE A4	SHEET 1 OF 1	
REV. C	WC-REV. A.2	QC : Inspection item	

Amphenol LTW
安費諾亮泰企業股份有限公司

ITEM NO. CD-10BMMA-LL7001	DRAWN BY Ruru	DATE 2017-04-24
DWG NO. CD-10BMMA-LL7001	CHECKED BY Rita	DATE 2017-04-24
CUSTOMER ALTW	APPROVED BY Max	DATE 2017-04-24