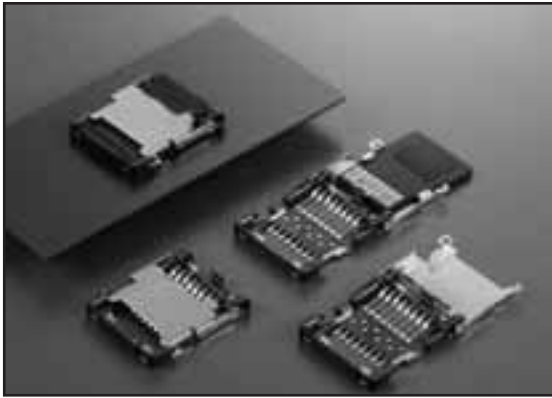


ST1 SERIES CONNECTORS

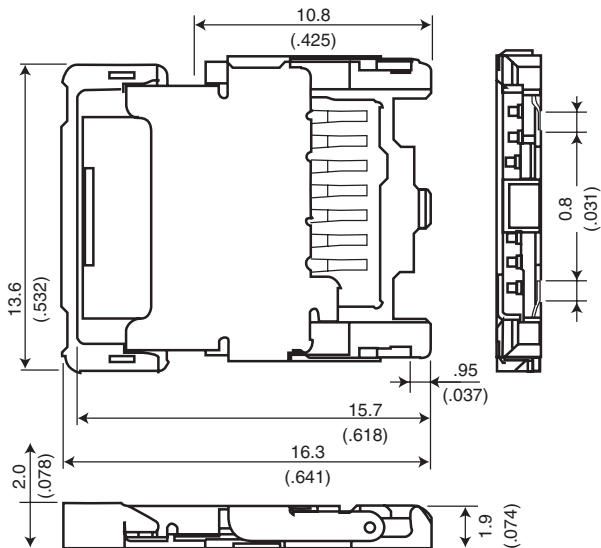
1.1mm (.043") Contact Spacing, Connector for MicroSD (TransFlash™) Card



FEATURES

- Push-slide hinge type connector for TransFlash™/ microSD™ memory cards
- Shield characteristic is secured by the 4 ground connection points set up on the hinge cover
- Compact slim design with 1.9mm height, 16.3mm depth and 14.15mm width
- Pb-free products (RoHS directive)
- Lock structure prevents coming off of cover caused by falling
- User friendly with install card to a hinge
- Connector covers the card for drop/shock strength

Connector Profile (Ref.)



The ST1 Series are one-piece type connectors for TransFlash™ (microSD™)* card. High density SMT mounting type low profile connector compatible with TransFlash™ (microSD™) cards, standardized by SanDisk Corporation/ (SDA: SD Card Association) as a compact card for various portable devices.

* TransFlash™ is a trademark of SanDisk Corporation. MicroSD™ is a trademark of SD Card Association.

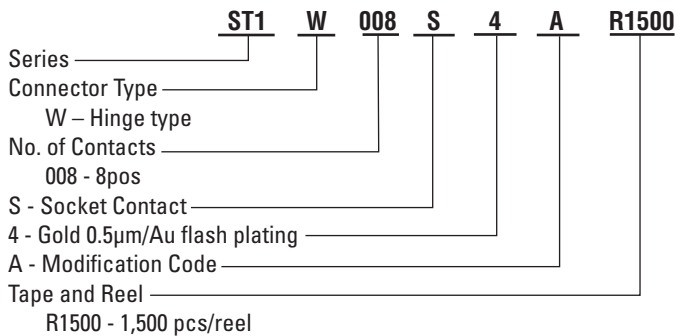
GENERAL SPECIFICATIONS

Number of Contacts	8 pos.
Contact Spacing	1.1mm (.043")
Contact Resistance	100 milliohms max.
Dielectric withstanding Voltage	DC500V per min.
Operating Temperature	-25°C to +85°C
Storage Temperature	-10°C to +60°C
Rated Current	0.5A per pin
Rated Voltage	10V per pin
Insulation Resistance	1000 megohms min.
Lifetime	10,000 times
Temperature Rise	30°C max.

MATERIALS AND FINISHES

Description	Materials/Finishes
Contact	Copper Alloy / Contact Area: 0.5µm min. Gold Plating over Nickel Terminal Area: Gold flash plating over Nickel
Housing	Synthetic Resin / No (UL94V-0)
Cover	Synthetic Resin / No (UL94V-0)

ORDERING INFORMATION



Dimensions and specifications subject to change without notice.