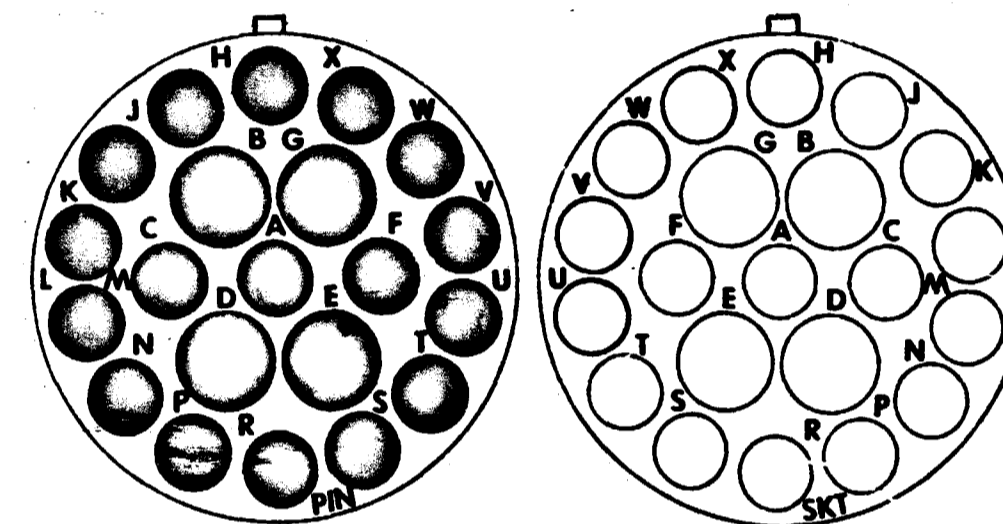
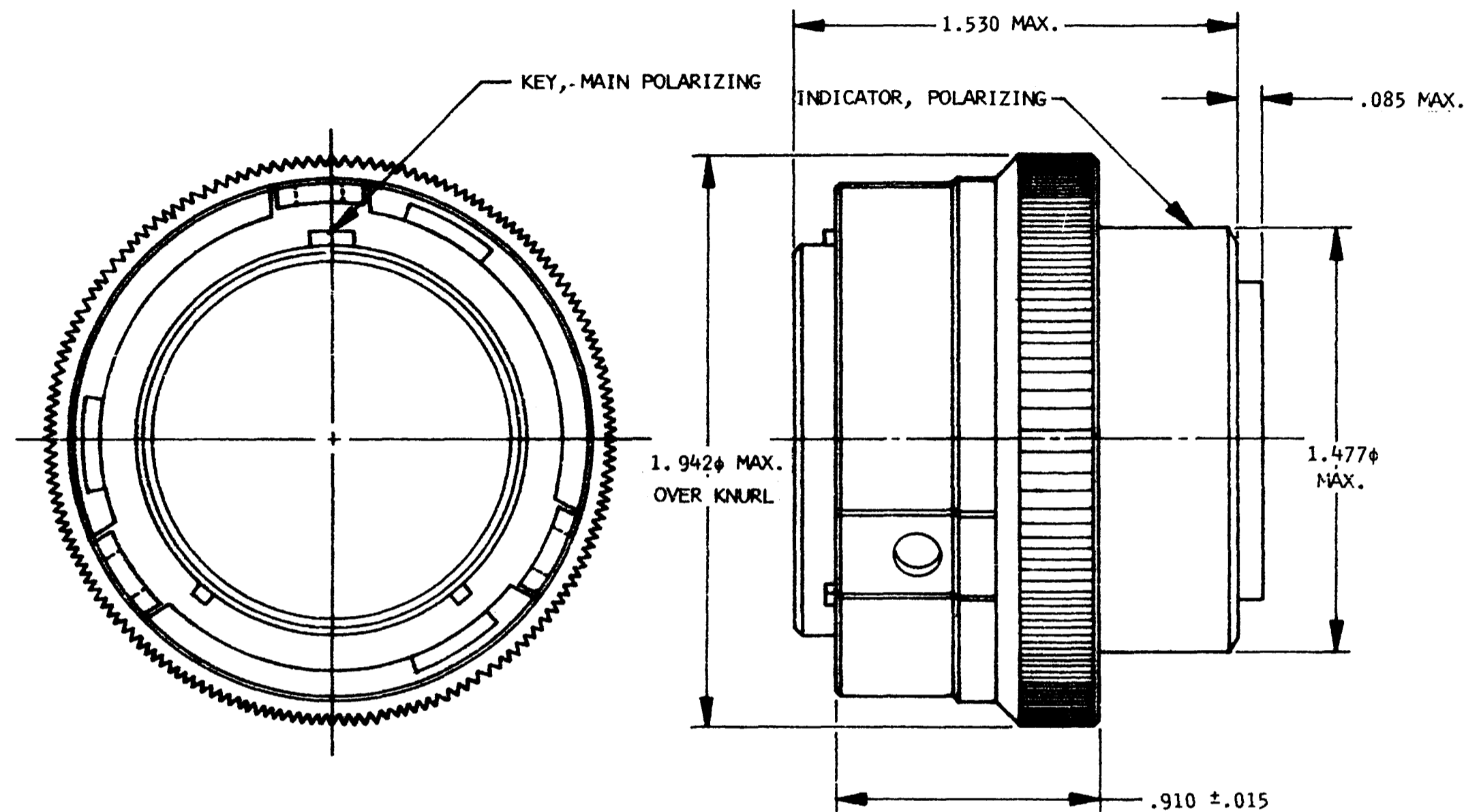


HDB36-24-21P/SN

REVISIONS

| SYM | DESCRIPTION                | DATE   | APPROVED  |
|-----|----------------------------|--------|-----------|
| N/C | NEW RELEASE PER E.O. 94322 | 4-8-82 | T.H.      |
| A   | REVISED PER E.O. 93875     | 4-8-83 | L. Stolle |




PINS  
SOCKETS  
CABLE END VIEW OF CONNECTOR WITH INSERTS

5. CONSULT FACTORY FOR AVAILABILITY.
4. DIMENSIONS ARE IN INCHES UNLESS OTHERWISE SPECIFIED.
3. THIS CONNECTOR SERIES WILL ACCOMMODATE THE FOLLOWING WIRE INSULATION DIAMETER.

| CONTACT SIZE | MIN. O.D. | MAX. O.D. | WIRE GAGE RANGE |
|--------------|-----------|-----------|-----------------|
| 12           | .134      | .170      | 12 & 14         |
| 16           | .100      | .130      | 16 & 18         |

2. CONSULT FACTORY FOR ELECTRICAL AND MATERIAL SPECIFICATION.
1. PERTINENT INFORMATION:  
POWER CONTACTS # 12 PIN 0460-204-12141  
# 12 SKT 0462-203-12141  
# 16 PIN 0460-202-16141  
# 16 SKT 0462-201-16141

NOTE:

|                  |                                 |   |   |                         |
|------------------|---------------------------------|---|---|-------------------------|
| SIGNATURE & DATE |                                 | PLUG, CONNECTOR<br>BREAKAWAY<br>BAYONET COUPLING<br>REAR INSERTION & REMOVAL<br>ENVIRONMENTAL<br><br>ENVELOPE | CP _____  | MATL CODE _____         |
| DR               | <i>Lashway 4-8-82</i>           |   | <b>The Deutsch Company</b><br>ELECTRONIC COMPONENTS DIVISION<br><br>Municipal Airport<br>Banning, California |                         |
| CRK              | <i>Tim Holt 4-19-82</i>         |   |   |                         |
| PE               | <i>Ron von Steingard 4-2-82</i> |   |   |                         |
| APPD             |                                 |   |   |                         |
| SCALE            | NONE                            | WT  | B   | HDB36-24-21P/SN         |
|                  |                                 |   | DWG SIZE  | CODE 11139 SHEET 1 OF 1 |