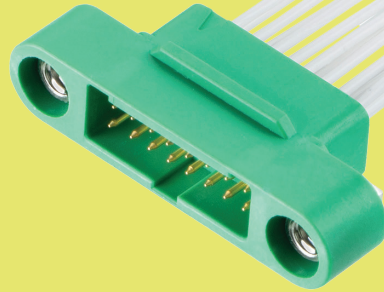


Gecko Connectors

Male Cable Assemblies

- ❏ 4-finger Beryllium Copper contact.
- ❏ No. 1 position identified on moulding.
- ❏ Stainless steel screw fixing to mate with applicable male connector.
- ❏ Back potted for added strain relief.
- ❏ For non-standard cable lengths, please visit harwin.com/cable-assemblies and fill in your requirements.



GECKO SCREW-LOK

PART NUMBERING SYSTEM

G125 - M C X XX 05 M1 - XXXX XX

SERIES CODE

GENDER - FIRST END

M	Male
----------	------

CABLE SIZE

1	26 AWG
2	28 AWG

TOTAL NO. OF CONTACTS

06, 10, 12, 16, 20, 26, 34, 50

TERMINATION - SECOND END

L	Loose cut end
FO	Female connector No fixings (use with Metal Hoods)
F1	Female connector Floating Hex Socket fixings
M	Male connector

CABLE LENGTH

0150	150mm
0300	300mm (double-ended)
0450	450mm (single-ended)

SCREW-LOK

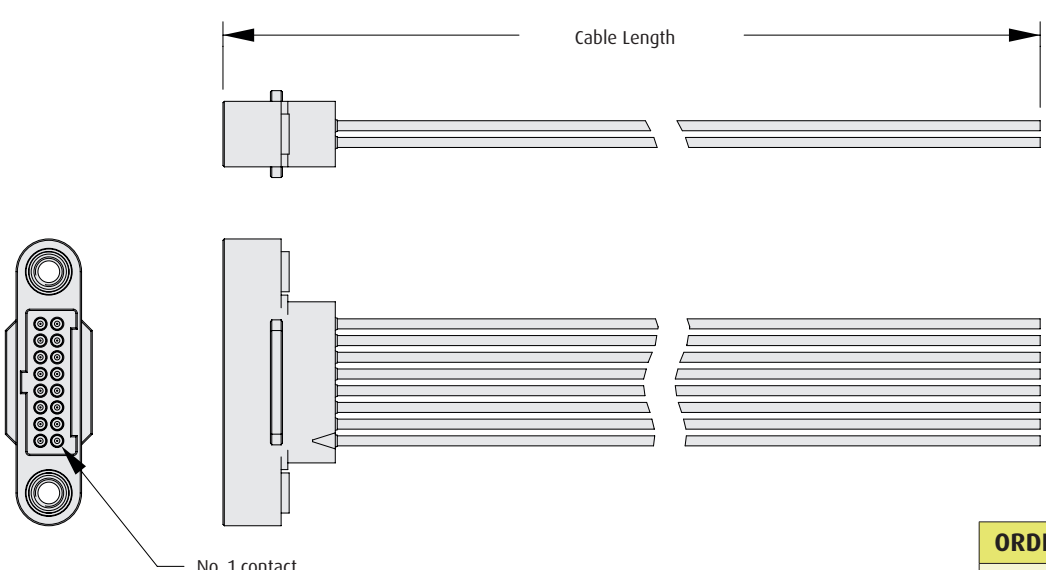
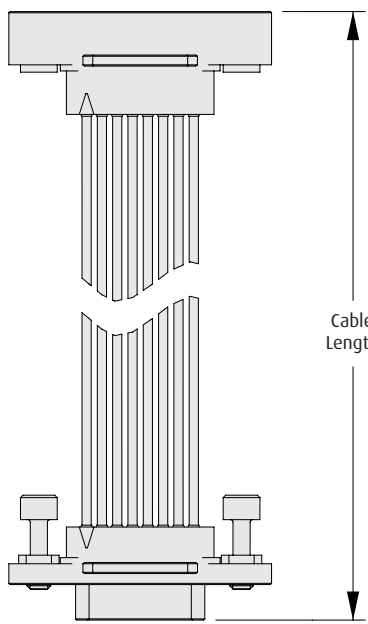
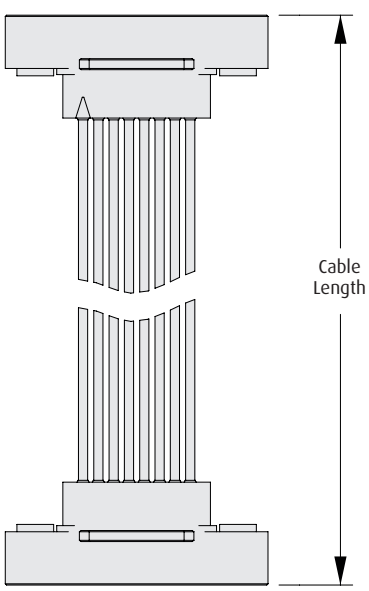
M1	Internal thread
-----------	-----------------

FINISH

05	Gold
-----------	------

Male Cable Assemblies

- ❖ See previous page for cable length options.
- ❖ Cable assemblies are constructed with Contact 1 attached to Contact 1, Contact 2 to Contact 2, etc.

MALE SINGLE ENDED	
 <div data-bbox="1263 982 1511 1058" style="float: right; border: 1px solid black; padding: 2px;"> ORDER CODE G125-MCXXX05M1-XXXXL </div>	
MALE - FEMALE	MALE - MALE
 <div data-bbox="544 1835 808 1913" style="border: 1px solid black; padding: 2px;"> ORDER CODE G125-MCXXX05M1-XXXXF1 </div>	 <div data-bbox="1247 1835 1511 1913" style="border: 1px solid black; padding: 2px;"> ORDER CODE G125-MCXXX05M1-XXXXM1 </div>

All dimensions in mm.

Patent Published