



Certifications & Ratings

- RoHS compliant

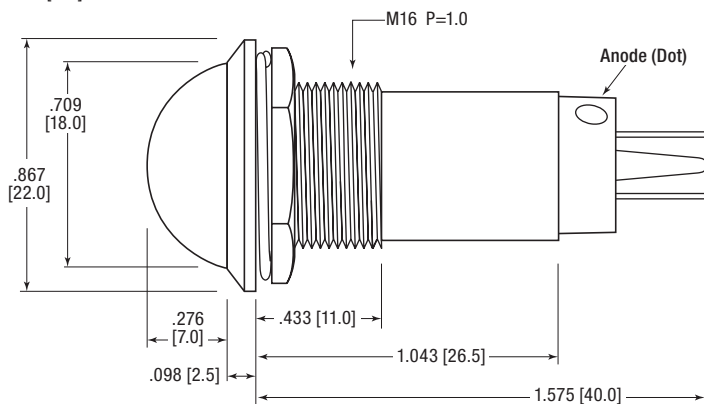
Application

The 686 Series LED Panel Mount Indicators are designed for a variety of applications such as:

- Main power indication
 - Remote power indication
 - Status indication
 - Maintenance and warning indication
 - Instrumentation
- ... and many more!

Dimensions

inches [mm]



Ordering Information 686 Series

Part Number	Color	Voltage (VDC)	Current (mA)	Intensity Typ. (mcd)
686-1132-121F	Red	6	15	660
686-1232-122F	Green			8150
686-1332-123F	Orange			500
686-1432-124F	Blue			240
686-1132-131F	Red	12		660
686-1232-132F	Green			8150
686-1332-133F	Orange			500
686-1432-134F	Blue			240
686-1132-141F	Red	24		660
686-1232-142F	Green			8150
686-1332-143F	Orange			500
686-1432-144F	Blue			240

Mechanical Information

- Mounting Hole Size:** 0.650" (16.5 mm)
- Max Panel Thickness:** 0.236" (6.0 mm)
- Mounting Torque:** 0.217 lbs/ft (3 kg/cm)

Specifications

- Voltage Options:** 6, 12 & 24 VDC (no resistor required)
- Operating Temp:** -20 °C to +75 °C (-4 °F to +167 °F)
- Storage Temp:** -40 °C to +100 °C (-40 °F to +212 °F)
- Electrical Connection:** Solder terminals
- Housing:** Polycarbonate
- Terminals:** Copper—Nickel Plated
- Lock Washer:** Iron—Nickel Plated
- Nut:** Brass—Nickel Plated

Dialight reserves the right to make changes at any time in order to supply the best product possible. The most current version of this document will always be available at: www.dialightsignalsandcomponents.com

Warranty Statement: Except for the warranty expressly provided for [herein/above/below], Dialight disclaims any and all other warranties, express or implied, including, without limitation, any warranties of merchantability, fitness for a particular purpose, title, and noninfringement.

