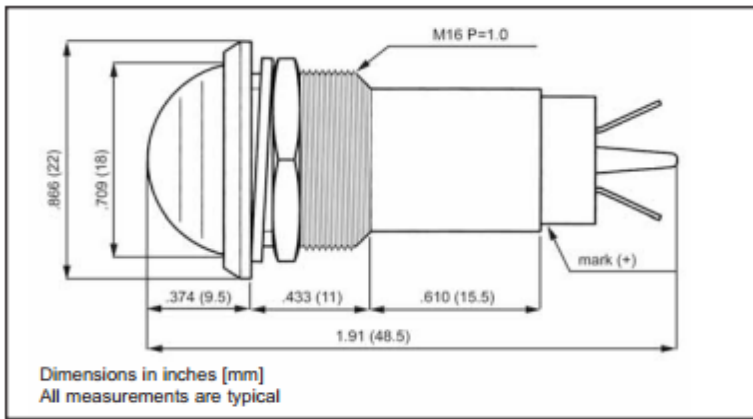




616 Series Panel Mount Indicators



Certifications & Ratings

- RoHS Compliant

Features & Benefits

- Low power consumption - uses up to 90% less energy than an incandescent indicator
- No heat generated
- Long life, lasting up to 100K hours
- Colors include red, green, and yellow
- Front panel mounting

Application:

The 616 Series LED Panel Mount Indicators are designed for a variety of applications such as:

- Main power indication
- Remote power indication
- Status indication
- Maintenance and warning indication
- Instrumentation

...and many more!

Mechanical Information

Mounting Hole Size:	0.642" (16.3 mm)
Max Panel Thickness:	0.236" (6.3 mm)
Mounting Torque:	0.217 lbs/ft (3 kg/cm) torque

Electrical specifications

Operating Voltage:	6, 12, and 24V DC (no resistor required)
Operating Temp:	-25°C to +85°C
Storage Temp:	-25°C to +100°C
Electrical connection	Solder terminals

Construction

Housing:	Polycarbonate
----------	---------------



616 Series - Panel Mount Indicators Ordering Information

Part Number	Color	Voltage (V DC)	Current (mA)	Intensity Typ. (mcd)
616-1132-120F	Red	6	15	60
616-1232-120F	Green	6	15	110
616-1332-120F	Yellow	6	15	90
616-1132-130F	Red	12	15	60
616-1232-130F	Green	12	15	110
616-1332-130F	Yellow	12	15	90
616-1132-140F	Red	24	15	60
616-1232-140F	Green	24	15	110
616-1332-140F	Yellow	24	15	90