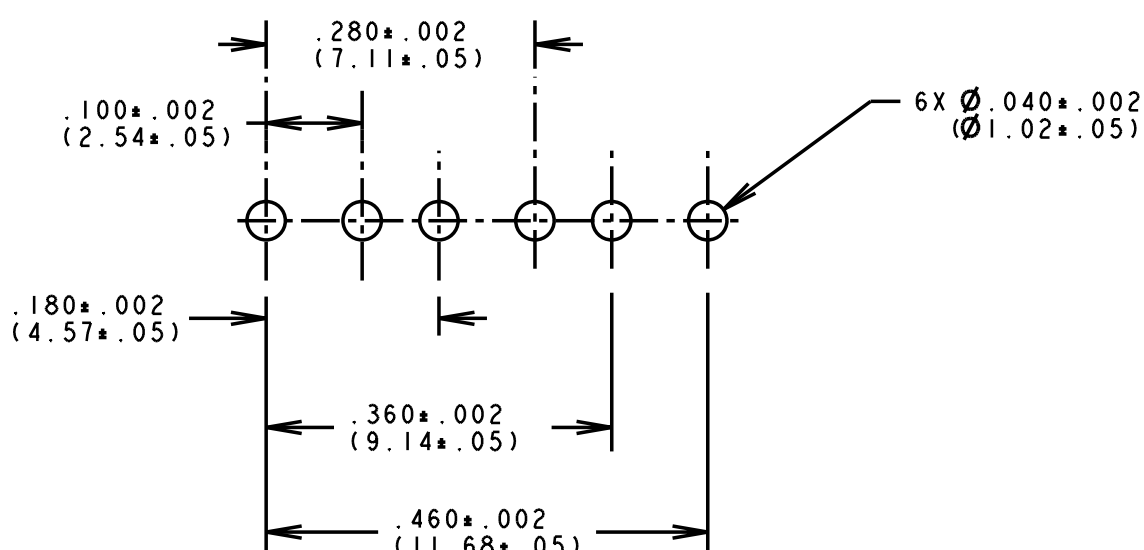
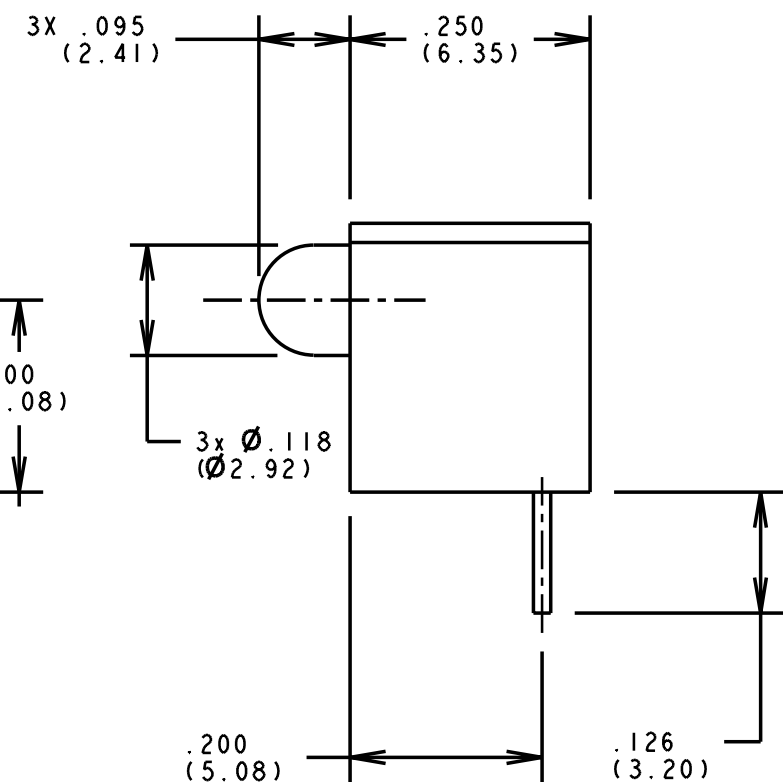
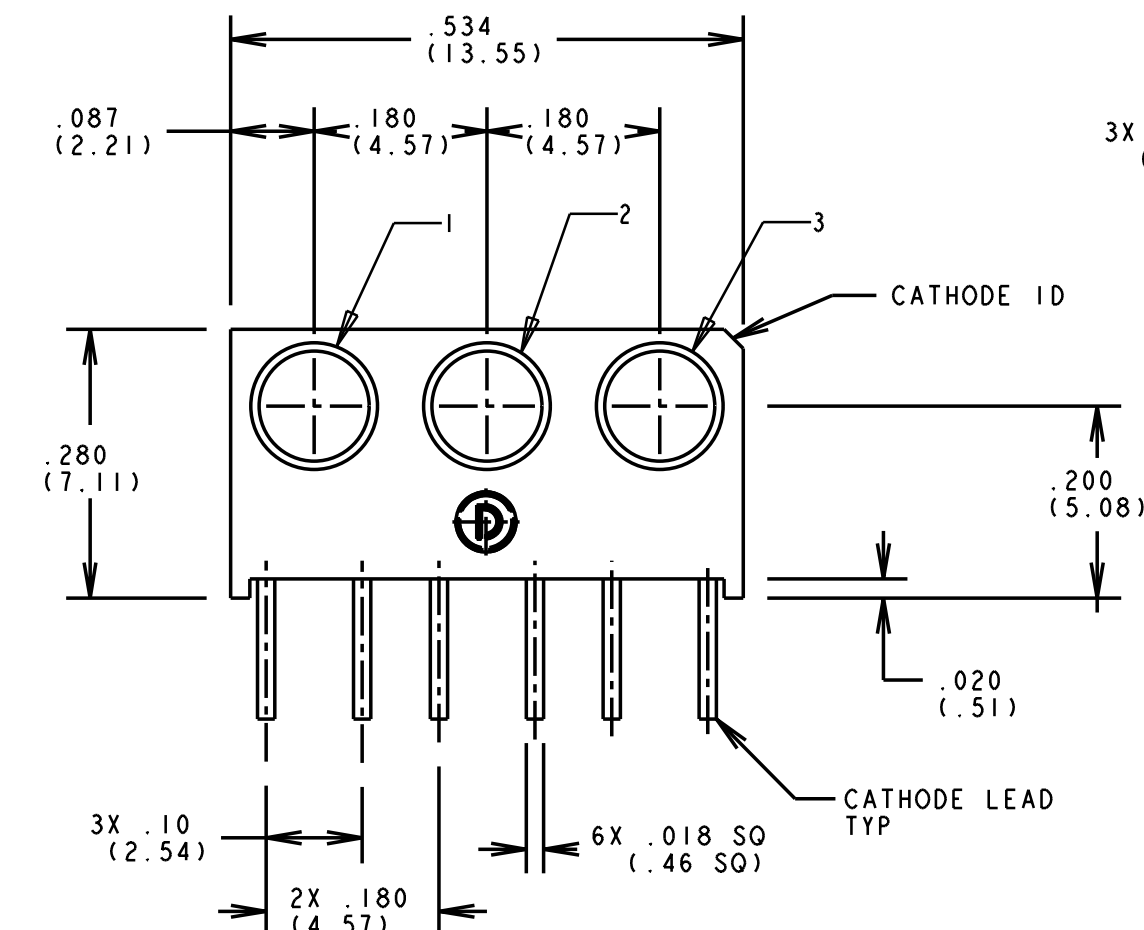


REV.	ECN NO.	REVISIONS	DRN.	CKD.	APP.	DATE
A	—	NEW RELEASE	LR		N.O.	11-29-94
B	—	.126(3.20 WAS .145(3.68).	LR		N.O.	12-22-94
C	—	ADDED 551-0003-804.	LR		N.O.	3-7-95
D	—	GREEN LED FWD VOLT. TYP 2.1, MAX 2.8 WAS 2.3, 3.0 & ADDED TEST COND.; LUM. INT. MIN 4.7 TYP 12.6 WAS 4.0, 8.5; YELLOW LED FWD VOLT. TYP 2.1, MAX 2.8 WAS 2.3, 3.0; PEAK WAVELENGTH 585 WAS 583; LUM. INT. MIN 7.4 WAS 6.0; ADDED NOTE 1. ϕ .118 WAS ϕ .115.			TC	



RECOMMENDED PC BOARD HOLE PATTERN

OPERATING CHARACTERISTICS AT $T_A = 25^\circ C$

SYMBOL	PARAMETER	COLOR	MIN	TYP	MAX	UNITS	TEST COND.
V_F	FORWARD VOLTAGE	YELLOW		2.1	2.8	V	$I_F = 20 \text{ mA}$
		GREEN		2.1	2.8		
V_R		ALL	5			V	$I_R = 100 \mu\text{A}$
λ_{PK}	PEAK WAVELENGTH	YELLOW		585		nm	MEASURED AT PEAK
		GREEN		565			
I_V	LUMINOUS INTENSITY	YELLOW	7.4	10.0		mcd	$I_F = 10 \text{ mA}$
		GREEN	4.7	12.6			

NOTE:
1. DIALIGHT PART NUMBER: 551-0003-802, 551-0003-804.

PART NUMBER	POS. 1	POS. 2	POS. 3
551-0003-802	YELLOW	GREEN	GREEN
551-0003-804	GREEN	GREEN	YELLOW

THIS DRAWING AND THE CONTENTS HEREIN ARE CONFIDENTIAL AND THE SOLE PROPERTY OF DIALIGHT. REPRODUCTION OF THIS DRAWING OR CONSTRUCTION OF ANY PARTS WITHIN THIS DRAWING ARE FORBIDDEN WITHOUT THE WRITTEN CONSENT OF DIALIGHT.

SCALE 5:1
ALL DIM'S IN: INCHES
TOLERANCES: UNLESS OTHERWISE SPECIFIED
FRACTIONS: $\pm 1/64$
DECIMALS (.XX): $\pm .020$
DECIMALS (.XXX): $\pm .015$
ANGLES: $\pm 1^\circ$
FINISH:

DRAWING NUMBER		REV
C-15925		D
TITLE		
MATERIAL		
Dialight		1913 ATLANTIC AVE. MANASQUAN, N.J. 08736
FSCM 83330	SHEET OF	FAMILY TABLE: