

**Features**

- Solder terminations double readout
- Bifurcated bellows type contacts
- Contact positions: 6, 10, 12, 15, 18, 22 and 25
- Accepts .062" (1.59mm) thick double-sided PC boards

**Performance Data**

**Materials**

**Insulation Material:** Diallyl pthalate, green

**Contact Material:** Beryllium copper

**Contact Plating:** 30 μinch select gold over 50 μinch nickel in the contact area, 10 μinch gold tails

**Electrical Characteristics**

**Withstanding Voltage:** 830 VAC rms (@ sea level)

**Current Rating:** 5 Amps

**Contact Resistance:** 5 Milliohms maximum

**Insulation Resistance:** 5000 Megohms minimum

**Mechanical Characteristics**

**Individual Contact Insertion and Separation Force:** 16 oz. maximum with .070" (1.78mm) blade; 1 oz. minimum with .054" (1.37mm) blade

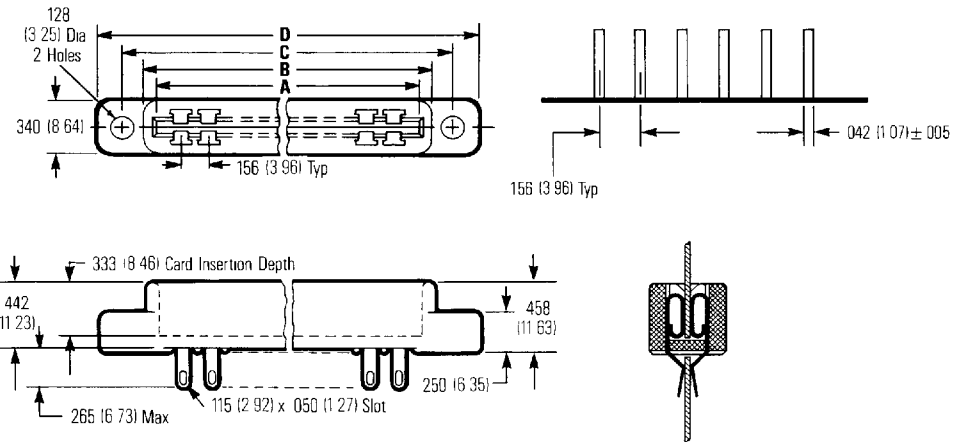
**Environmental Characteristics**

**Shock:** Per MIL-STD-202E, Method 213, Condition C

**Operating Temperature:** -65°C to +125°C

**Vibration:** Per MIL-STD-202E, Method 204, Condition B

**Humidity:** Per MIL-STD-202E, Method 103, Condition B



**Dimensions**

No. of Pos./Cont.	A		B		C		D	
	in	mm	in	mm	in	mm	in	mm
6/12	1.100	27.94	1.239	31.47	1.531	38.88	1.785	45.33
10/20	1.724	43.79	1.864	47.34	2.156	54.76	2.410	61.21
12/24	2.036	51.71	2.177	55.29	2.469	62.71	2.723	69.16
15/30	2.504	63.60	2.645	67.18	2.937	74.59	3.191	81.05
18/36	2.972	75.48	3.114	79.09	3.406	86.51	3.660	92.96
22/44	3.596	91.33	3.739	94.97	4.031	102.38	4.285	108.83
25/50	4.067	103.30	4.208	106.88	4.500	114.30	4.754	120.75

**Ordering Information**

No. of Pos./Cont.	Part No.
6/12	50-12S-30
10/20	50-20S-30
12/24	50-24S-30
15/30	50-30S-30
18/36	50-36S-30
22/44	50-44S-30
25/50	50-50S-30