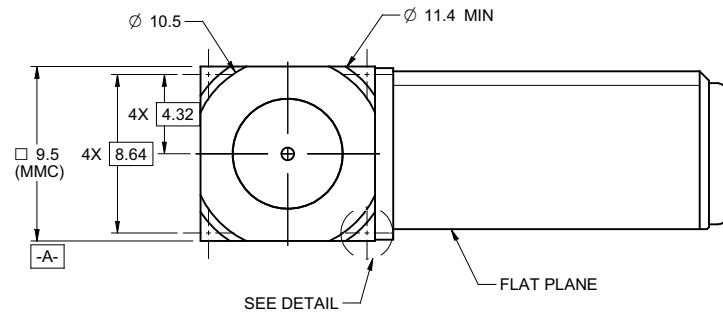
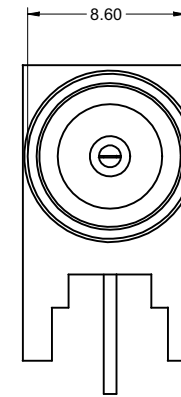
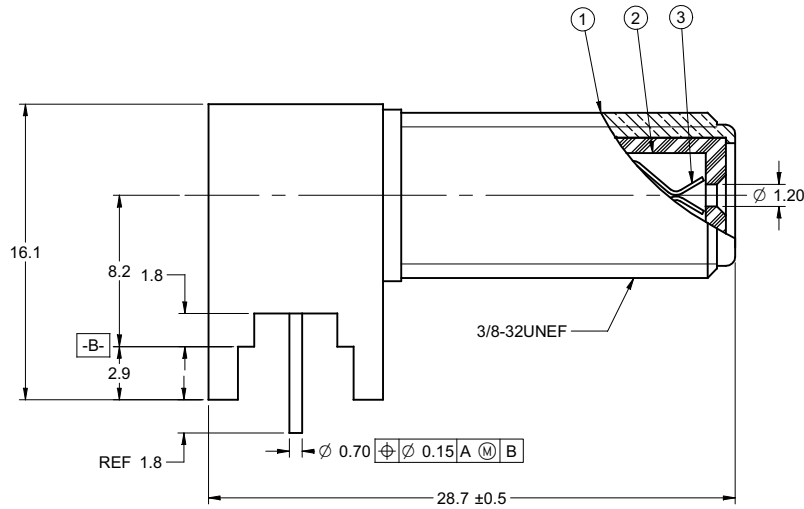
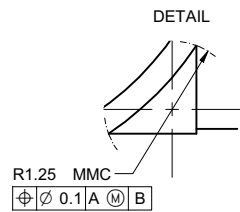


PART NUMBER	ITEM ① BODY	ITEM ② INSULATOR	ITEM ③ CONTACT
25-7652	BRASS TIN PLATED	DELTRIN	P BRONZE TIN PLATED

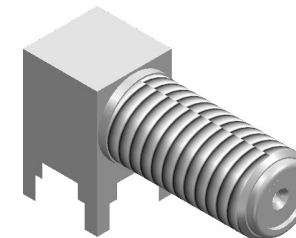
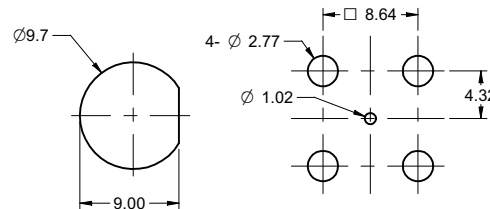
DRAWING NO. 25-7652	
REVISIONS	
01	OFFICIAL RELEASE 08-17-09
	2009.09.0 08.09.13.36 +08.00



受控 CONTROLLED DOCUMENT					
编号 P/N	25-7652	版本 Rev	01	日期 Rel'd Date	SEP 14,09



RECOMMENDED MOUNTING HOLE DIMENSIONS



NOTES:

1. TECHNICAL DETAIL: REFER TO EMERSON DOCUMENT P/N 25-0000

THIS DRAWING TO BE INTERPRETED
PER ANSI Y 14.5M - 1994

COMPANY CONFIDENTIAL

TOLERANCE UNLESS OTHERWISE SPECIFIED	DRAWN BY BETTY.YU	DATE 08-17-09
DECIMALS	CHECKED BY BETTY.YU	DATE 08-17-09
X ± 0.5	APPROVED BY THOMAS	DATE 08-17-09
X.X ± 0.2		
X.XX ± 0.1		
ANGLES ± 0.5°	U/M	mm

EMERSON Network Power		Connectivity Solutions
TITLE F RIGHT ANGLE PCB MOUNT / SHORT		
SHEET 1 OF 1	DRAWING NO. 25-7652	SIZE C

THIS DRAWING WAS PRODUCED BY COMPUTER,
DO NOT SCALE DRAWING OR UPDATE MANUALLY.