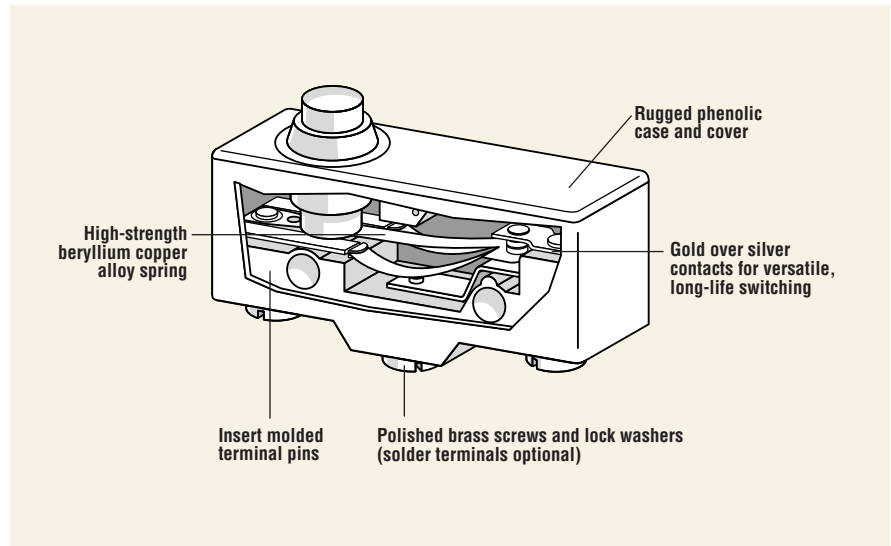


## HEAVY-DUTY SNAP ACTION

# GP Series

### Features

- Ultra-small travel differential
- Mechanical life tested to 1 million cycles
- Current switching to 20 amps
- Wide variety of actuators
- Screw or solder terminals standard
- Low operating forces available



### Electrical Ratings

| Switch Series | UL1054 Rating   |
|---------------|---|
| GP*B          | 20A, 1HP, 125VAC; 20A, 2HP, 250VAC; .5A, 125VDC; .25A, 250VDC     |
| GP*C          | 15A, 1/8HP, 125VAC; 15A, 1/4HP, 250VAC; .5A, 125VDC; .25A, 250VDC |

### Specifications

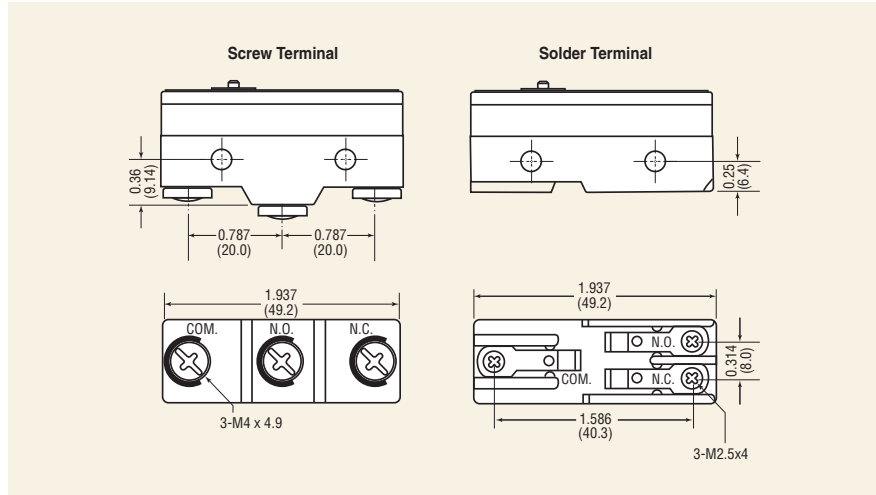
|                             |                              |
|-----------------------------|------------------------------|
| Dielectric Strength:        | 1000VAC 50/60Hz for 1 minute |
| Insulation Resistance:      | 100M ohms min at 500VDC      |
| Initial Contact Resistance: | 15m ohms max                 |
| Temperature Range:          | -20° to +85°C                |

### Materials

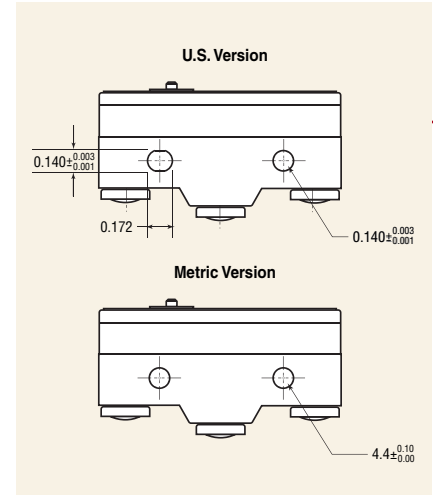
|                 |  |
|-----------------|--|
| Case:           | Phenolic   |
| Cover:          | Phenolic   |
| Spring:         | Beryllium Copper Alloy                               |
| Contacts:       | Silver Alloy   |
| Terminals:      | Brass Screw Terminals; Copper Alloy Solder Terminals |
| Lever Actuator: | Stainless Steel                                      |



### Terminal Types inches (mm)



### Mounting Holes



### Standard Part Numbers and Descriptions

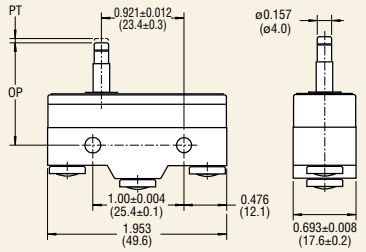
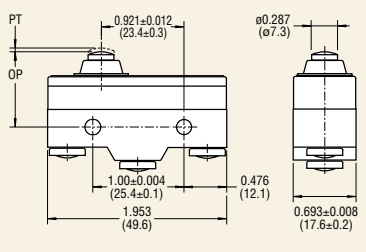
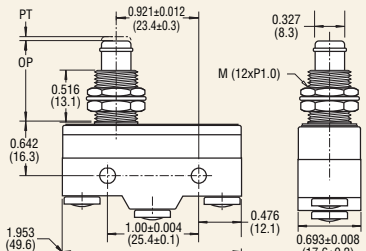
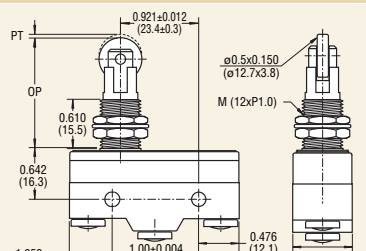
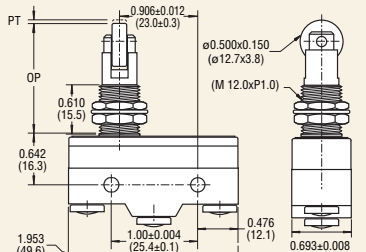
| Dimensions inches (mm) | Part Number | Maximum Operating Force (oz.) | Minimum Release Force (oz.) | Maximum Pre-Travel inches (mm) | Operating Point Min./Max. inches (mm) | Minimum Over-Travel inches (mm) | Max. Movement Differential inches (mm) | Mounting Hole† | Terminal Type* |
|------------------------|-------------|-------------------------------|-----------------------------|--------------------------------|---------------------------------------|---------------------------------|--|----------------|----------------|
|                        | GPTCNA11    | 12.3                          | 4.0                         | 0.016 (0.41)                   | 0.610/0.642 (15.49/16.31)             | 0.005 (0.13)                    | 0.002 (0.05)                           | U.S.           | Screw          |
|                        | GPTBNA11    | 22.2                          | 7.1                         | 0.051 (1.30)                   | 0.625/0.657 (15.90/16.70)             | 0.009 (0.25)                    | 0.008 (0.20)                           | U.S.           | Screw          |
|                        | GPTCLR11    | 10.5                          | 1.7                         | 0.157 (4.00)                   | 0.654/0.717 (16.60/18.20)             | 0.062 (1.60)                    | 0.051 (1.30)                           | U.S.           | Screw          |
|                        | GPTBLR11    | 9.0                           | 0.98                        | 0.157 (4.00)                   | 0.654/0.717 (16.60/18.20)             | 0.062 (1.60)                    | 0.067 (1.70)                           | U.S.           | Screw          |
|                        | GPTCRR11    | 10.6                          | 1.8                         | 0.157 (4.00)                   | 1.094/1.157 (27.80/29.40)             | 0.062 (1.60)                    | 0.051 (1.30)                           | U.S.           | Screw          |
|                        | GPTBRR11    | 9.0                           | 0.98                        | 0.157 (4.00)                   | 1.094/1.157 (27.80/29.40)             | 0.062 (1.60)                    | 0.067 (1.70)                           | U.S.           | Screw          |

NOTE: GP Series switches are available with screw or solder terminals in U.S. or metric sizes.

\*For solder terminals, replace the "T" in the third position of the part number with an "S" (e.g., GPTCND11 becomes GPSC-ND11).

†For metric mounting, replace the "1" in the seventh position with a "0" (e.g., GPTCND11 becomes GPTCND01).

## Standard Part Numbers and Descriptions

| Dimensions inches (mm)  | Part Number | Maximum Operating Force (oz.) | Minimum Release Force (oz.) | Maximum Pre-Travel inches (mm) | Operating Point Min./Max. inches (mm) | Minimum Over-Travel inches (mm) | Max. Movement Differential inches (mm) | Mounting Hole <sup>†</sup> | Terminal Type <sup>‡</sup> |
|---|-------------|-------------------------------|-----------------------------|--------------------------------|---------------------------------------|---------------------------------|--|----------------------------|----------------------------|
|    | GPTCND11    | 12.3                          | 4.0                         | 0.016 (0.41)                   | 1.09/1.13 (27.70/28.70)               | 0.063 (1.60)                    | 0.002 (0.05)                           | U.S.                       | Screw                      |
|   | GPTBND11    | 22.9                          | 7.1                         | 0.028 (0.70)                   | 1.091/1.130 (27.70/28.70)             | 0.062 (1.60)                    | 0.008 (0.20)                           | U.S.                       | Screw                      |
|    | GPTCNC11    | 12.3                          | 4.0                         | 0.106 (0.40)                   | 0.826/0.866 (21.00/22.00)             | 0.062 (1.60)                    | 0.002 (0.05)                           | U.S.                       | Screw                      |
|   | GPTBNC11    | 22.9                          | 7.1                         | 0.028 (0.70)                   | 0.826/0.866 (21.00/22.00)             | 0.062 (1.60)                    | 0.008 (0.20)                           | U.S.                       | Screw                      |
|   | GPTCNH11    | 12.3                          | 4.0                         | 0.016 (0.41)                   | 0.826/0.890 (20.98/22.60)             | 0.217 (5.51)                    | 0.002 (0.05)                           | U.S.                       | Screw                      |
|   | GPTBNH11    | 22.9                          | 7.1                         | 0.028 (0.70)                   | 0.826/0.890 (21.00/22.60)             | 0.217 (5.50)                    | 0.008 (0.20)                           | U.S.                       | Screw                      |
|  | GPTCRH11    | 12.3                          | 4.0                         | 0.016 (0.40)                   | 1.268/1.362 (32.20/34.60)             | 0.140 (3.58)                    | 0.002 (0.05)                           | U.S.                       | Screw                      |
|   | GPTBRH11    | 22.9                          | 7.1                         | 0.028 (0.70)                   | 1.268/1.362 (32.20/34.60)             | 0.140 (3.56)                    | 0.008 (0.20)                           | U.S.                       | Screw                      |
|  | GPTCRH12    | 12.3                          | 4.0                         | 0.160 (0.40)                   | 1.268/1.362 (32.20/34.60)             | 0.140 (3.56)                    | 0.002 (0.05)                           | U.S.                       | Screw                      |
|   | GPTBRH12    | 22.9                          | 7.1                         | 0.028 (0.70)                   | 1.268/1.362 (32.20/34.60)             | 0.140 (3.56)                    | 0.008 (0.20)                           | U.S.                       | Screw                      |

NOTE: GP Series switches are available with screw or solder terminals in U.S. or metric sizes.

<sup>‡</sup>For solder terminals, replace the "T" in the third position of the part number with an "S" (e.g., GPTCND11 becomes GPSCND11).

<sup>†</sup>For metric mounting, replace the "1" in the seventh position with a "0" (e.g., GPTCND11 becomes GPTCND01).

### Standard Part Numbers and Descriptions

| Dimensions inches (mm) | Part Number | Maximum Operating Force (oz.) | Minimum Release Force (oz.) | Maximum Pre-Travel inches (mm) | Operating Point Min./Max. inches (mm) | Minimum Over-Travel inches (mm) | Max. Movement Differential inches (mm) | Mounting Hole <sup>†</sup> | Terminal Type <sup>‡</sup> |
|------------------------|-------------|-------------------------------|-----------------------------|--------------------------------|---------------------------------------|---------------------------------|--|----------------------------|----------------------------|
|                        | GPTCLS11    | 2.4                           | 0.50                        | 0.394 (10.00)                  | 0.716/0.780 (18.20/19.80)             | 0.220 (5.61)                    | 0.050 (1.27)                           | U.S.                       | Screw                      |
|                        | GPTBLS11    | 2.8                           | 0.50                        | 0.394 (10.00)                  | 0.716/0.780 (18.20/19.80)             | 0.220 (5.61)                    | 0.007 (0.20)                           | U.S.                       | Screw                      |
|                        | GPTCLS12    | 3.1                           | 0.70                        | 0.315 (8.00)                   | 0.716/0.780 (18.20/19.80)             | 0.125 (3.20)                    | 0.040 (1.02)                           | U.S.                       | Screw                      |
|                        | GPTBLS12    | 4.2                           | 1.4                         | 0.315 (8.00)                   | 0.716/0.780 (18.20/19.80)             | 0.125 (3.20)                    | 0.040 (1.02)                           | U.S.                       | Screw                      |
|                        | GPTCRS11    | 3.5                           | 0.80                        | 0.280 (7.10)                   | 1.157/1.220 (29.40/31.00)             | 0.158 (4.00)                    | 0.040 (1.02)                           | U.S.                       | Screw                      |
|                        | GPTBRS11    | 4.2                           | 0.80                        | 0.280 (7.10)                   | 1.157/1.220 (29.40/31.00)             | 0.158 (4.00)                    | 0.040 (1.02)                           | U.S.                       | Screw                      |
|                        | GPTCRM11    | 5.6                           | 1.4                         | 0.106 (2.70)                   | 1.173/1.205 (29.80/30.60)             | 0.094 (2.40)                    | 0.020 (0.50)                           | U.S.                       | Screw                      |
|                        | GPTBRM11    | 6.4                           | 1.5                         | 0.106 (2.70)                   | 1.173/1.205 (29.80/30.60)             | 0.094 (2.40)                    | 0.020 (0.50)                           | U.S.                       | Screw                      |
|                        | GPTCRG11    | 5.6                           | 1.4                         | 0.106 (2.70)                   | 1.594/1.658 (40.50/42.10)             | 0.094 (2.40)                    | 0.020 (0.50)                           | U.S.                       | Screw                      |
|                        | GPTBRG11    | 6.3                           | 1.4                         | 0.106 (2.70)                   | 1.594/1.658 (40.50/42.10)             | 0.094 (2.40)                    | 0.020 (0.50)                           | U.S.                       | Screw                      |

NOTE: GP Series switches are available with screw or solder terminals in U.S. or metric sizes.  
<sup>‡</sup>For solder terminals, replace the "T" in the third position of the part number with an "S" (e.g., GPTCND11 becomes GPSC-ND11).  
<sup>†</sup>For metric mounting, replace the "1" in the seventh position with a "0" (e.g., GPTCND11 becomes GPTCND01).