






D3 miniature switch

Technical specifications

Contact configuration	S.P.D.T, S.P.S.T.-N.O., S.P.S.T.-N.C. (see table)
Contact gap	< 3 mm (μ) or > 3 mm
Switching voltage	250 VAC
Switched current max.	10 A (> 3 mm) or 16 A (< 3 mm, μ) (see table)
Total travel	2,6mm without auxiliary actuator
Mechanical life	1 x 10 ⁶ operations (> 3 mm) 10 x 10 ⁶ operations (< 3 mm, μ)
Electrical life (max. load)	> 50.000 switching cycles acc. to EN 61058 > 10.000 switching cycles acc. to UL 1054 (>3mm) > 6.000 sw. cycles acc. to UL 1054 (<3 mm, μ)
Ambient temperature	40T85
Proof tracking index	PTI 250
Materials	
Case/cover	PET (UL94 V-0)
Actuator	POM/PET
Contacts	AgNi
Terminals	Cu/CuZn
Auxiliary actuator	nickel-plated steel, alternative stainless steel
Approvals	  

For detailed information and the layout of the details described above, please do not hesitate to ask for our technical specifications and drawing.

Switching parameters

Model		Max. Operating force (cN)	Max. pretravel (mm)	Min. overtravel (mm)	Differential travel max. (mm)	Max. rest position (mm)	Operating point (mm)
Without auxiliary actuator	> 3 mm	500	1,9	0,7	1,2	16,0	14,4 ± 0,5
Without auxiliary actuator	< 3 mm	400	1,5	1,2	0,3	16,0	14,7 ± 0,5

Electrical rating and variants

Electrical rating according to		Availability			Housing mark	
EN 61058	UL 1054	S.P.S.T. - N.O	S.P.S.T. - N.C.	S.P.T.D	Contact gap	
4 (3)A, 250 VAC	4 A, 125–250 VAC	yes	–	–	> 3 mm	D3 6
8 (8)A, 250 VAC	10 A, 125–250 VAC	–	yes	yes	> 3 mm	D3 B
10 (10)A, 250 VAC	10 A, 125–250 VAC	yes	–	–	> 3 mm	D3 F
16 (4)A, 250 VAC	16 A, 125–250 VAC	yes	yes	yes	< 3 mm (μ)	D3 8

Additional breaking capacities on request

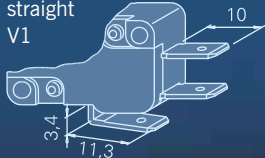


Preferred parts

Order code	Electrical rating		Terminals	Auxiliary actuator	Operating force (cN)	Operating point (mm)	Max. pretravel (mm)	Min. overtravel (mm)	Differential travel max. (mm)
	EN	UL							
D364-V1AA	4 (3)A, 250 VAC	4A, 125-250 VAC	Q.C. terminals 6,3x0,8mm, straight	–	500	14,4 ± 0,5	1,9	0,7	1,2
D3B6-V3AA	8 (8)A, 250 VAC	10A, 125-250 VAC	Q.C. terminals 6,3x0,8mm, dog-leg	–	500	14,4 ± 0,5	1,9	0,7	1,2
D3F4-S8AA	10 (10)A, 250 VAC	10A, 125-250 VAC	Solder terminals with temperature stop	–	500	14,4 ± 0,5	1,9	0,7	1,2
D3F4-V1AA	10 (10)A, 250 VAC	10A, 125-250 VAC	Q.C. terminals 6,3x0,8mm, straight	–	500	14,4 ± 0,5	1,9	0,7	1,2

Terminals

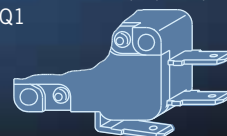
Q.C. terminals, 6,3x0,8mm, straight
V1



Q.C. terminals, 6,3x0,8mm, dog-leg
V3



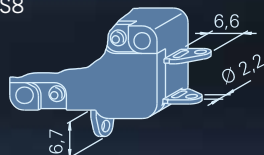
Q.C. terminals, 4,8x0,8mm
Q1



Q.C. terminals, 4,8x0,8mm dog-leg
Q3



Solder terminals
S8

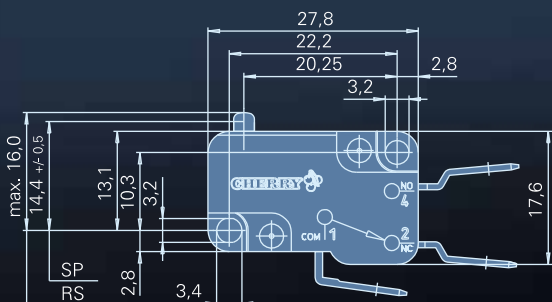


Screw terminals
W9

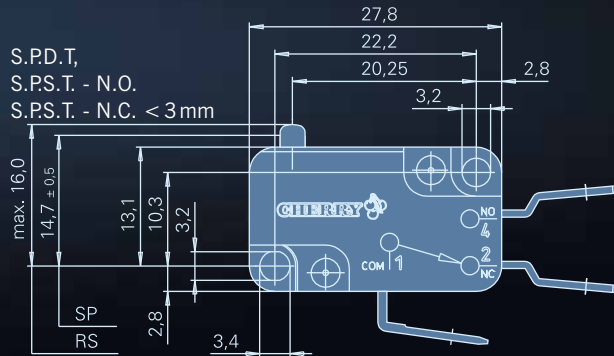


Dimensions in mm

S.P.D.T,
S.P.S.T. - N.C. > 3mm



S.P.D.T,
S.P.S.T. - N.O.
S.P.S.T. - N.C. < 3mm



Screw terminals W9