

# General Accessories

## Connector Cables

### Type CONB1...

CARLO GAVAZZI



- Straight or 90° connector
- M12 version
- 3, 4 or 5 wire
- LEDs in transparent housing
- IP 67
- UL approved

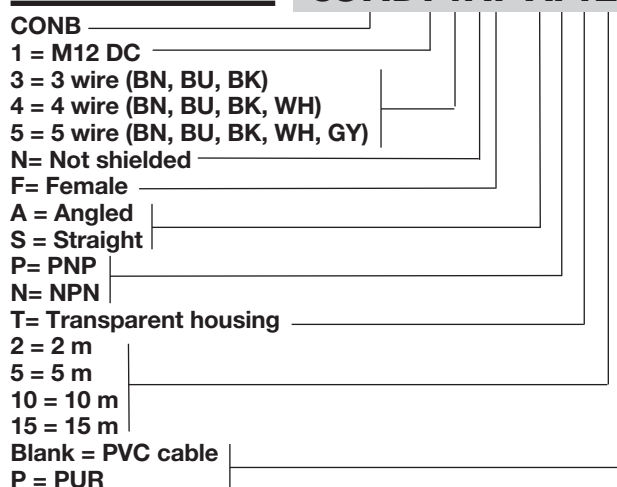
### Product Description

M12 connection cables for 3 wires, 4 wires or 5 wires. Come in straight or angled versions. Some versions are also with LED.

UL approved high quality connection cable either in PVC jacket or in the more durable PUR jacket. Standard lengths of 2m, 5m, 10m or 15m.

### Ordering Key

**CONB14NF-APT2P**



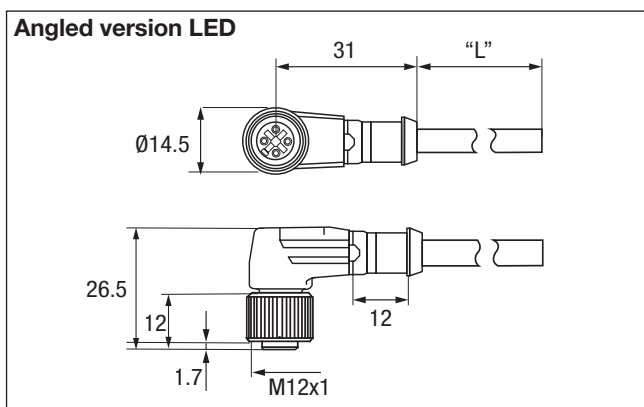
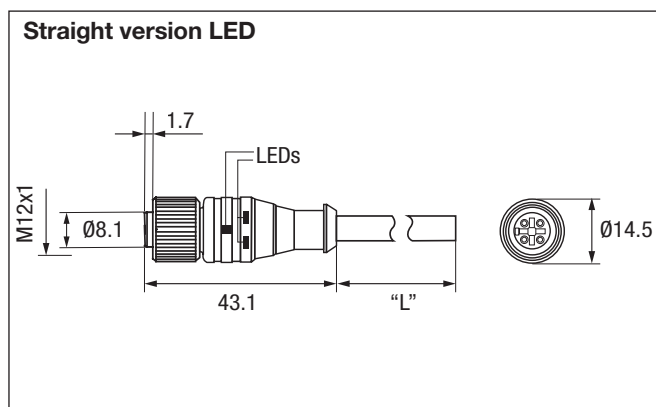
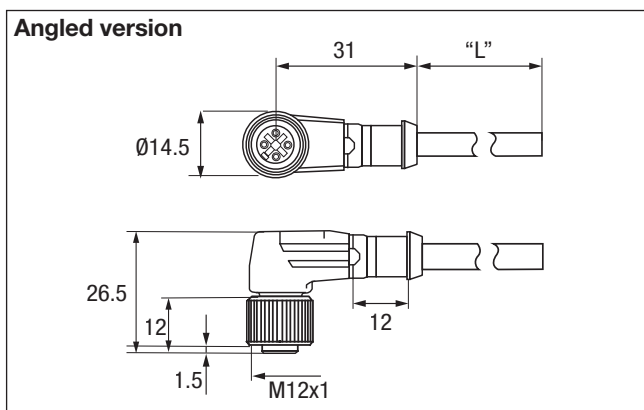
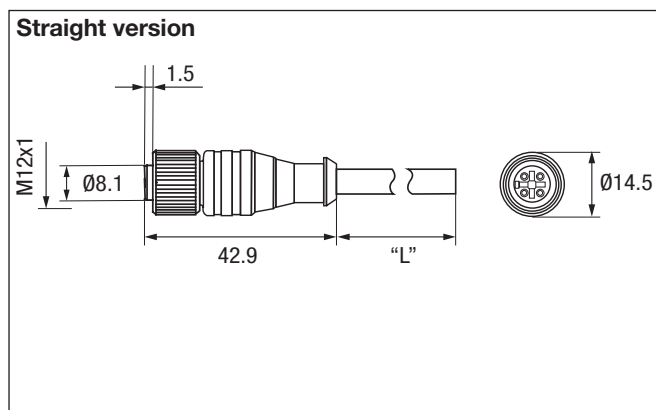
### Type Selection

| Plug type       | Cable length | Ordering number PVC | Ordering number PVC LED NPN | Ordering number PVC LED PNP | Ordering number PUR |
|-----------------|--------------|---------------------|-----------------------------|-----------------------------|---------------------|
| 3-Wire Angled   | 2 m          | CONB13NF-A2         | CONB13NF-ANT2               | CONB13NF-APT2               | CONB13NF-A2P        |
|                 | 5 m          | CONB13NF-A5         | CONB13NF-ANT5               | CONB13NF-APT5               | CONB13NF-A5P        |
|                 | 10 m         | CONB13NF-A10        | -                           | -                           | CONB13NF-A10P       |
|                 | 15 m         | CONB13NF-A15        | -                           | -                           | CONB13NF-A15P       |
| 3-Wire Straight | 2 m          | CONB13NF-S2         | -                           | -                           | CONB13NF-S2P        |
|                 | 5 m          | CONB13NF-S5         | -                           | -                           | CONB13NF-S5P        |
|                 | 10 m         | CONB13NF-S10        | -                           | -                           | CONB13NF-S10P       |
|                 | 15 m         | CONB13NF-S15        | -                           | -                           | CONB13NF-S15P       |
| 4-Wire Angled   | 2 m          | CONB14NF-A2         | CONB14NF-ANT2               | CONB14NF-APT2               | CONB14NF-A2P        |
|                 | 5 m          | CONB14NF-A5         | CONB14NF-ANT5               | CONB14NF-APT5               | CONB14NF-A5P        |
|                 | 10 m         | CONB14NF-A10        | -                           | -                           | CONB14NF-A10P       |
|                 | 15 m         | CONB14NF-A15        | -                           | -                           | CONB14NF-A15P       |
| 4-Wire Straight | 2 m          | CONB14NF-S2         | CONB14NF-SNT2               | CONB14NF-SPT2               | CONB14NF-S2P        |
|                 | 5 m          | CONB14NF-S5         | CONB14NF-SNT5               | CONB14NF-SPT5               | CONB14NF-S5P        |
|                 | 10 m         | CONB14NF-S10        | -                           | -                           | CONB14NF-S10P       |
|                 | 15 m         | CONB14NF-S15        | -                           | -                           | CONB14NF-S15P       |
| 5-Wire Angled   | 2 m          | CONB15NF-A2         | -                           | -                           | CONB15NF-A2P        |
|                 | 5 m          | CONB15NF-A5         | -                           | -                           | CONB15NF-A5P        |
|                 | 10 m         | CONB15NF-A10        | -                           | -                           | CONB15NF-A10P       |
|                 | 15 m         | CONB15NF-A15        | -                           | -                           | CONB15NF-A15P       |
| 5-Wire Straight | 2 m          | CONB15NF-S2         | -                           | -                           | CONB15NF-S2P        |
|                 | 5 m          | CONB15NF-S5         | -                           | -                           | CONB15NF-S5P        |
|                 | 10 m         | CONB15NF-S10        | -                           | -                           | CONB15NF-S10P       |
|                 | 15 m         | CONB15NF-S15        | -                           | -                           | CONB15NF-S15P       |

## Specifications

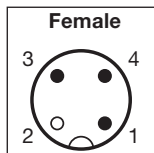
|   |   |  |  |
|---|---|--|--|
| <b>Rated operating voltage (U<sub>B</sub>)</b><br>3 or 4 wire version<br>5 wire version<br>LED versions     | 240V AC/DC<br>60V AC/DC<br>30V AC/DC                              | <b>PVC</b><br>3 wires<br>4 wires<br>5 wires                                  | 0,34mm <sup>2</sup><br>0,25mm <sup>2</sup><br>0,34mm <sup>2</sup>                          |
| <b>Rated current</b>  | ≤ 4 A   | <b>Contact material</b>  | CuSn   |
| <b>Contact resistance</b>   | ≤ 5mΩ   | <b>Contact plating</b>   | Cu/Au  |
| <b>Rated impulse voltage</b><br>3 or 4 wire<br>5 wire   | 2.0KV<br>1.5KV  | <b>Contact bearer material</b>   | TPU orange   |
| <b>Insulation resistance</b>  | > 10 <sup>9</sup> Ω   | <b>Moulded body material</b>   | TPU translucent  |
| <b>Cable outer diameter</b><br>PUR<br>3 wires<br>4 wires<br>5 wires<br>PVC<br>3 wires<br>4 wires<br>5 wires | 4.3 mm<br>4.7 mm<br>5.4 mm<br>5 mm<br>5 mm<br>5.7 mm              | <b>O-ring sealing</b>  | FKM  |
| <b>Wire cross section</b><br>PUR<br>3 wires<br>4 wires<br>5 wires   | 0,34mm <sup>2</sup><br>0,34mm <sup>2</sup><br>0,50mm <sup>2</sup> | <b>Knurled nut</b>   | CuZn, nickel plated  |
|   |   | <b>Degree of protection</b>  | IP 67  |
|   |   | <b>Pollution degree</b>  | 3  |
|   |   | <b>Pin IEC standard</b>  | IEC61076-2-101   |
|   |   | <b>Temperature</b>   | -40° to 90°C   |
|   |   | <b>Weight*</b><br>2 m version<br>5 m version<br>10 m version<br>15 m version | approx 100 g<br>approx 200 g<br>approx 300 g<br>approx 500 g<br>*varies depending on model |
|   |   | <b>LED colour</b><br>Power<br>Output   | Green<br>Yellow  |

## Dimensions

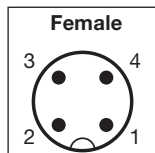


## Contact layout

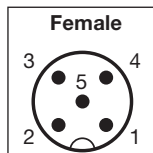
(3-wire)



(4-wire)



(5-wire)

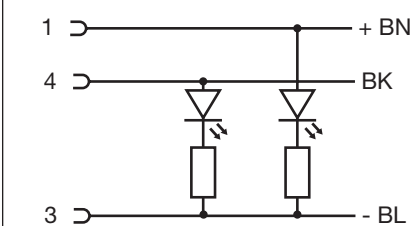


Colour Code

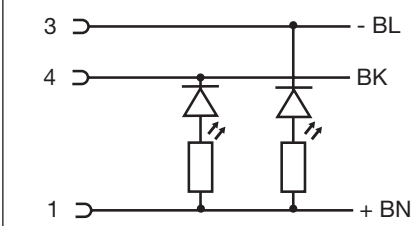
- 1 Brown (BN)
- 2 White (WH)
- 3 Blue (BL)
- 4 Black (BK)
- 5 Grey

### LED Connections

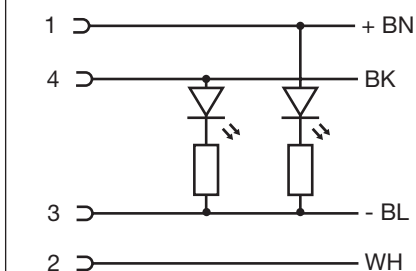
3-wire PNP angled version



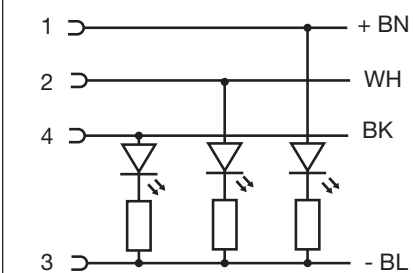
3-wire NPN angled version



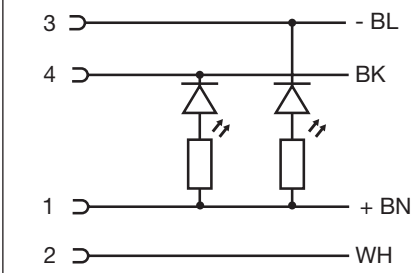
4-wire PNP straight version



4-wire PNP angled version



4-wire NPN straight version



## Derating curve (DIN EN 60512-5-2)

