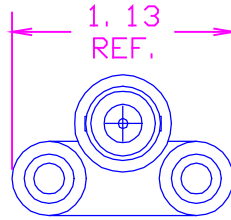
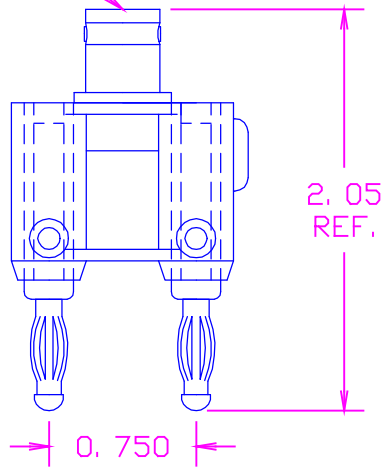


DATE	SYM	REVISION	RECORD	AUTH.	DR.	CK.
6/10/99	-	ISSUED			NT	DG

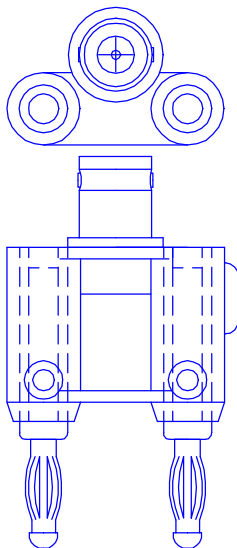


BNC FEMALE CONTACT



MATERIAL: BANANA PLUG BODY- BRASS, NICKEL PLATED
 BANANA PLUG SPRING- BERYLLIUM COPPER, NICKLE PL.
 BNC CENTER CONTACT- BERYLLIUM COPPER, GOLD PL.
 BNC BODY- BRASS, NICKEL PLATED
 BNC INSULATION- PTFE PER ASTM D1710
 ASSEMBLY INSULATION- MOLDED BLACK ABS

ACTUAL SIZE



TOLERANCES (EXCEPT AS NOTED)	CONCORD		ELECTRONICS CORPORATION
DECIMAL ± .010	P/N	SCALE	30 GREAT JONES ST. NEW YORK N. Y. 10012
FRACTIONAL ± -	TITLE BNC FEMALE TO DOUBLE BANANA PLUG		
ANGULAR ± -	DATE 6/10/99	DRAWING NUMBER 25-2560-1-0210	