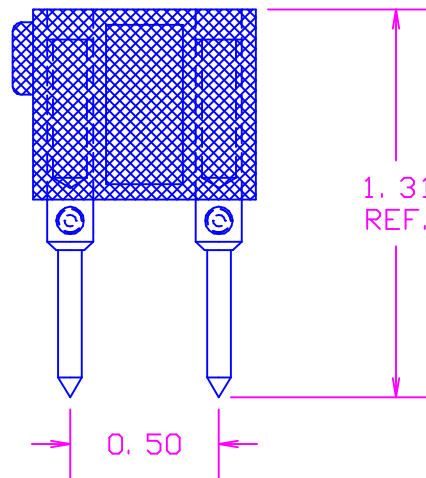
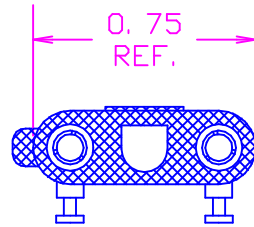
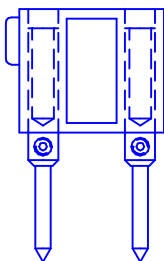
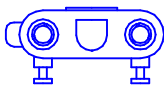


DATE	SYM	REVISION RECORD	AUTH.	DR.	CK.
10/22/98	-	ISSUED		NT	DG



MATERIAL: PIN- BRASS, GOLD PLATED
 TIP JACK- BERYLLIUM COPPER, GOLD PL.
 TERMINAL- BRASS, GOLD PLATED
 INSULATION- POLYPROPYLENE
 (10- BLACK, 12- RED)

ACTUAL SIZE



TOLERANCES	CONCORD ELECTRONICS CORPORATION		
DECIMAL $\pm .010$	P/N	SCALE	30 GREAT JONES ST. NEW YORK N. Y. 10012
FRACTIONAL $\pm 1/64$	TITLE	MINIATURE PIN TIP PLUG WITH SOLDER TURRET TERMINAL	
$\pm 5^\circ$	DATE 6-16-98	DRAWING NUMBER 25-2526-1-03XX	