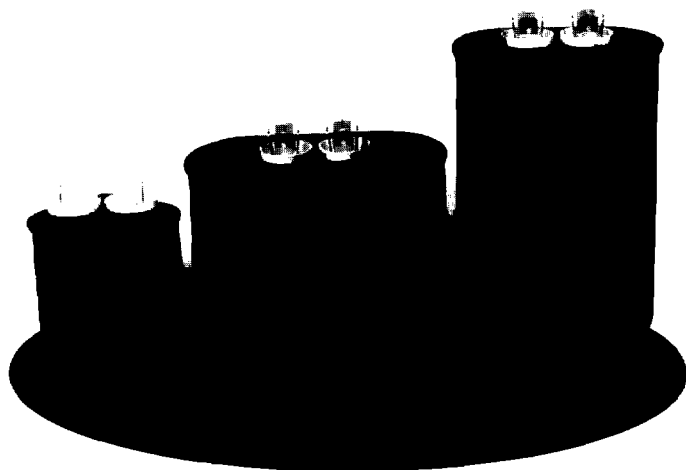


AC Capacitors

AC Capacitors: Motor-run Types SM, PF, AP, AF, MP Oval-cased Capacitors



Offering long life and reliable service, Types SM, PF, AP, and AF are designed for motor-run applications, air-conditioning, electronic power conversion equipment and HID lighting.

Performance Highlights

- Voltage Range 240 to 525 Vac
- Capacitance Range 3 to 75 μ F
- Temperature Range -40°C to 70°C
- Capacitance Tolerance $\pm 10\%$ Standard
- 60,000 hours, 94% minimum survival at full-rated temperature and voltage
- 4-tine $1/4$ " quick-connect lug terminals
- UL-recognized file No. E56959
- CSA-certified file No. LR075387
- Fully protected up to 10,000 amps AFC

Stock Ratings and Dimensions

Cap. μ F	Catalog Number	Case Dimensions (Inches)		Mounting Brackets	
		Base	Height	Wrap-around	Footed
240 Vac 70°C Case Temperature					
4.0	KKSM24U405QAPI	2.16 x 1.31	2.38	30393-5	30434-37
5.0	KKSM24U505QAPI	2.16 x 1.31	2.38	30393-5	30434-37
6.0	KKSM24U605QAPI	2.16 x 1.31	2.38	30393-5	30434-37
7.5	KKSM24U755QAPI	2.16 x 1.31	2.38	30393-5	30434-37
10.0	KKSM24U106QAPI	2.16 x 1.31	2.38	30393-5	30434-37
15.0	KKSM24U156QAPI	2.16 x 1.31	2.75	30393-5	30434-43
20.0	KKSM24U206QAPI	2.16 x 1.31	3.25	30393-5	30434-51
25.0	KTSM24U256QAPI	2.91 x 1.91	2.38	30393-9	30437-37
30.0	KTSM24U306QAPI	2.91 x 1.91	2.75	30393-9	30434-43
35.0	KTSM24U356QAPI	2.91 x 1.91	2.75	30393-9	30434-43
40.0	KTSM24U406QAPI	2.91 x 1.91	2.75	30393-9	30434-43
45.0	KTSM24U456QAPI	2.91 x 1.91	3.25	30393-9	30434-51
50.0	KTSM24U506QAPI	2.91 x 1.91	3.25	30393-9	30434-51
60.0	KTSM24U606QAPI	2.91 x 1.91	3.75	30393-9	30434-59
70.0	KBSM24U706QAPI	3.66 x 1.97	3.25	30393-10	30434-51
370 Vac 70°C Case Temperature					
2.0	KKPF37U205QAPI	2.16 x 1.31	2.13	30393-5	30434-33
3.0	KKPF37U305QAPI	2.16 x 1.31	2.13	30393-5	30434-33
4.0	KKPF37U405QAPI	2.16 x 1.31	2.13	30393-5	30434-33
5.0	KKPF37U505QAPI	2.16 x 1.31	2.31	30393-5	30434-36
6.0	KKPF37U605QAPI	2.16 x 1.31	2.75	30393-5	30434-43
7.5	KKPF37U755QAPI	2.16 x 1.31	3.25	30393-5	30434-51

Stock Ratings and Dimensions

Cap. µF	Catalog Number	Case Dimensions (Inches)		Mounting Brackets	
		Base	Height	Wrap-around	Footed
370 Vac 70°C Case Temperature					
10.0	KKSM37U106QAPI	2.16 x 1.31	2.75	30393-5	30434-43
12.5	KKSM37U1255QAPI	2.16 x 1.31	3.25	30393-5	30434-51
15.0	KKSM37U156QAPI	2.16 x 1.31	3.75	30393-5	30434-59
17.5	KKSM37U1755QAPI	2.16 x 1.31	4.25	30393-5	30434-67
17.5	KTSM37U1755QAPI	2.91 x 1.91	2.38	30393-9	30434-37
20.0	KKSM37U206QAPI	2.16 x 1.31	4.25	30393-5	30434-67
20.0	KTSM37U206QAPI	2.91 x 1.91	2.38	30393-9	30434-43
25.0	KTSM37U256QAPI	2.91 x 1.91	2.75	30393-9	30434-43
30.0	KTSM37U306QAPI	2.91 x 1.91	3.25	30393-9	30434-51
35.0	KTSM37U356QAPI	2.91 x 1.91	3.25	30393-9	30434-51
40.0	KTSM37U406QAPI	2.91 x 1.91	3.75	30393-9	30434-59
45.0	KTSM37U456QAPI	2.91 x 1.91	4.25	30393-9	30434-67
45.0	KBSM37U456QAPI	3.66 x 1.97	3.88	30393-10	30434-61
50.0	KTSM37U506QAPI	2.91 x 1.91	4.25	30393-9	30434-67
50.0	KBSM37U506QAPI	3.66 x 1.97	2.88	30393-10	30434-45
440 Vac 70°C Case Temperature					
2.0	KKPF44U205QAPI	2.16 x 1.31	2.13	30393-5	30434-33
3.0	KKPF44U305QAPI	2.16 x 1.31	2.13	30393-5	30434-33
4.0	KKPF44U405QAPI	2.16 x 1.31	2.63	30393-5	30434-41
5.0	KKPF44U505QAPI	2.16 x 1.31	3.25	30393-5	30434-51
6.0	KKPF44U605QAPI	2.16 x 1.31	3.75	30393-5	30434-59
7.5	KKPF44U755QAPI	2.16 x 1.31	4.25	30393-5	30434-67
10.0	KKSM44U106QAPI	2.16 x 1.31	3.25	30393-5	30434-51
15.0	KTSM44U156QAPI	2.91 x 1.91	2.75	30393-9	30434-43
20.0	KTSM44U206QAPI	2.91 x 1.91	2.75	30393-9	30434-43
25.0	KTSM44U256QAPI	2.91 x 1.91	3.25	30393-9	30434-51
30.0	KTSM44U306QAPI	2.91 x 1.91	3.75	30393-9	30434-59
35.0	KTSM44U356QAPI	2.91 x 1.91	4.25	30393-9	30434-67
40.0	KBSM44U406QAPI	3.66 x 1.97	2.75	30393-10	30434-43
45.0	KBSM44U456QAPI	3.66 x 1.97	3.25	30393-10	30434-51
50.0	KBSM44U506QAPI	3.66 x 1.97	3.25	30393-10	30343-51
55.0	KBSM44U556QAPI	3.66 x 1.97	3.75	30393-10	30434-59
60.0	KBSM44U606QAPI	3.66 x 1.97	3.75	30393-10	30434-59
480 Vac 70°C Case Temperature					
4.0	KKSM48U405QAPI	2.16 x 1.31	2.38	30393-5	30434-37
5.0	KKSM48U505QAPI	2.16 x 1.31	2.75	30393-5	30434-43
6.0	KKSM48U605QAPI	2.16 x 1.31	2.75	30393-5	30434-43
7.5	KKSM48U755QAPI	2.16 x 1.31	3.25	30393-5	30434-51
10.0	KKSM48U106QAPI	2.16 x 1.31	4.25	30393-5	30434-67
15.0	KTSM48U156QAPI	2.91 x 1.91	2.75	30393-9	30434-43
20.0	KTSM48U206QAPI	2.91 x 1.91	3.75	30393-9	30434-59
25.0	KTSM48U256QAPI	2.91 x 1.91	4.25	30393-9	30434-67
30.0	KTSM48U306QAPI	2.91 x 1.91	4.75	30393-9	30434-75
40.0	KBSM48U406QAPI	3.66 x 1.97	3.25	30393-10	30434-51

AC Capacitors

Stock Ratings and Dimensions

Cap. μF	Catalog Number	Case Dimensions (Inches)		Mounting Brackets	
		Base	Height	Wrap-around	Footed
660 Vac 70°C Case Temperature					
1.0	KKAP66U105QAPI	2.16 x 1.31	2.13	30393-5	30434-33
2.0	KKAP66U205QAPI	2.16 x 1.31	2.13	30393-5	30434-33
3.0	KKMP66U305QAPI	2.16 x 1.31	2.00	30393-5	30434-41
4.0	KKMP66U405QAPI	2.16 x 1.31	2.25	30393-5	30434-47
5.0	KKMP66U505QAPI	2.16 x 1.31	2.50	30393-5	30434-55
6.0	KKMP66U605QAPI	2.16 x 1.31	2.75	30393-5	30434-43
8.0	KKMP66U805QAPI	2.16 x 1.31	3.50	30393-5	30434-55
10.0	KKMP66U106QAPI	2.16 x 1.31	4.25	30393-5	30434-67
12.0	KTMP66U126QAPI	2.91 x 1.91	3.00	30393-9	30434-47
15.0	KTAF66U156QAPI	2.91 x 1.91	3.38	30393-9	30434-53
18.0	KTAF66U186QAPI	2.91 x 1.91	3.88	30393-9	30434-61
18.0	KBAF66U186QAPI	3.66 x 1.97	3.38	30393-10	30434-53
20.0	KTAF66U206QAPI	2.91 x 1.91	4.38	30393-9	30434-69
20.0	KBAF66U206QAPI	3.66 x 1.97	3.38	30393-10	30434-53
25.0	KTAF66U256QAPI	2.91 x 1.91	4.88	30393-9	30434-77
25.0	KBAF66U256QAPI	3.66 x 1.97	3.88	30393-10	30434-61
30.0	KBAF66U306QAPI	3.66 x 1.97	4.38	30393-10	30434-69

Specifications and Ordering Information

Dielectric Systems

Motor-run capacitors utilize five dielectric systems to maximize efficiency and economy. For each capacitance/voltage rating, the dielectric system is identified by the following part number code letters.

SM—metallized polypropylene utilized for lowest loss, self-healing, and lightweight performance

PF—paper/foil for low-capacitance ratings

AP—paper/polypropylene film/foil for low-capacitance/high-voltage ratings

MP—metallized paper/polypropylene film for higher-voltage, low-capacitance ratings

AF—metallized paper/polypropylene film/foil for higher-voltage, higher-capacitance ratings

Look below for a comparison of these dielectric systems.

Code Letters	Dissipation Factor (Max.)	ANSI/EIA Standard	Self-healing
SM	.10	EIA-456A	yes
PF	.6	EIA-454	—
AP	.3	EIA-454	—
MP	.15	EIA-495A	yes
AF	.15	EIA-495A	yes

Oval case dimensions are below.

Case Size Code Conversion		
Code	Style	Base Dimensions
KK	Oval	2.16 x 1.31
KT	Oval	2.91 x 1.91
KB	Oval	3.66 x 1.97

Options/Ordering Information

Terneplate steel cans are standard. Painted cans are available for added corrosion protection. Substitute the letter "P" for "U" in the part number.

Closer capacitance tolerances such as ±3% or ±6% are available.

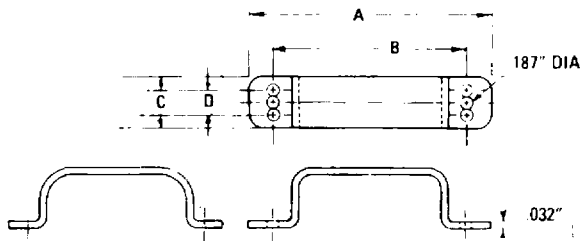
Consult factory for the following options:

- Special terminal lugs, special grounding lug is available upon request.
- Dual section capacitance ratings are available for 370 Vac and 440 Vac.
- Special discharge resistors are available.
- For HID and power supply applications, high temperature, +90°C ratings are available.

Order any of these options by specifying on your purchase order or request for quotation.

Mounting Brackets – Flat Oval-cased Capacitors

Wrap-Around Style

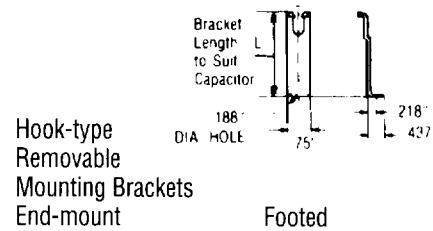


Wrap-around

30393

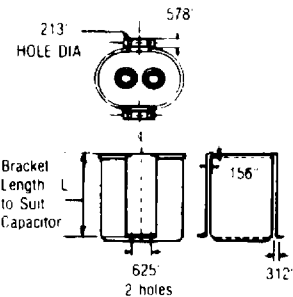
Case	Part	A	B	C
KK	30393-5	3.046	2.546	0.750
KT	30393-9	3.812	3.312	0.750
KB	30393-10	4.562	4.062	0.750

Footed Style



Hook-type
Removable
Mounting Brackets
End-mount

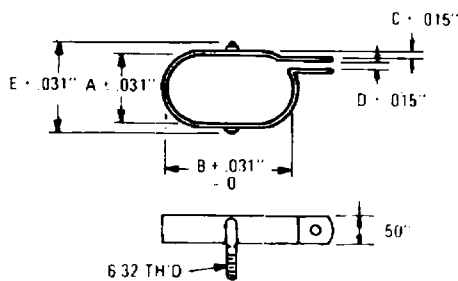
Footed
(Cat. No. 30434)



Side-mount
Style
Base Sizes
KT & KB

Footed
(Cat. No. 31762)

Universal Mounting Brackets

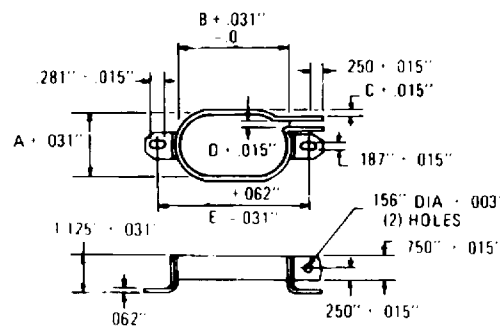


Spade Lug

32115

Case	Part	A	B	C	D	E
KK	32115-1	1.250	2.062	0.125	0.125	1.562
KT	32115-2	1.812	2.812	0.312	0.125	2.125
KB	32115-3	1.875	3.562	0.500	0.125	2.187

Universal Mounting Brackets



Footed

32107

Case	Part	A	B	C	D	E
KK	32107-1	1.250	2.062	0.125	0.125	2.687
KT	32107-2	1.812	2.812	0.312	0.125	3.347
KB	32107-3	1.875	3.562	0.500	0.125	4.187