

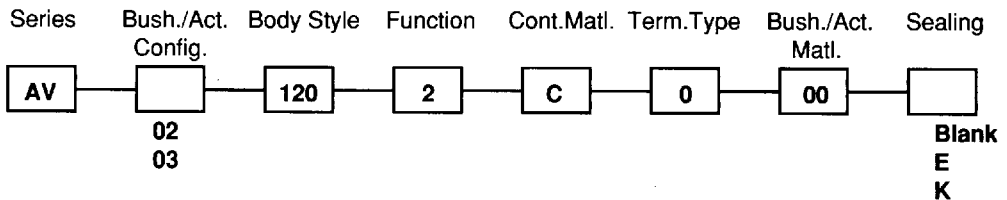
New!

AV SERIES SECURITY PUSHBUTTON SWITCHES

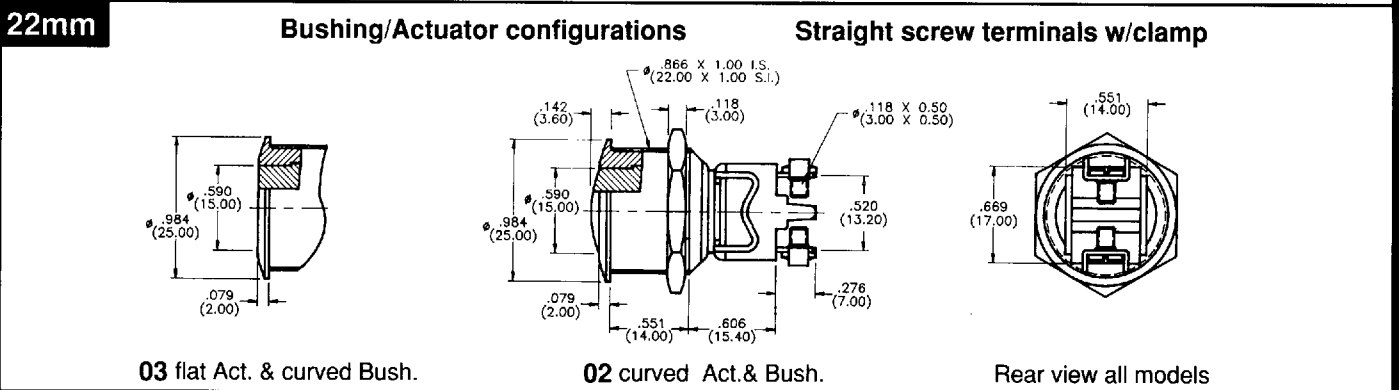
SPECIFICATIONS SUBJECT TO CHANGE WITHOUT NOTICE.

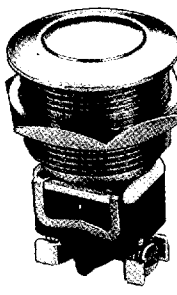
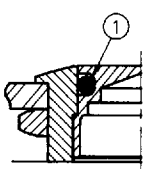
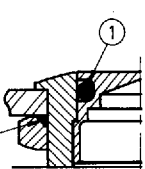
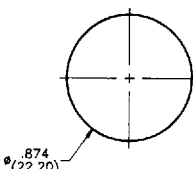
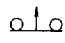
SPECIFICATIONS	FEATURES
<p>Contact ratings: Max. resistive loads: 2 A 250 VAC, 3 A 125 VAC & 2.5 A 24 VDC</p> <p>Initial contact resistance: 10 milliohms max. at 1 A, 2 V</p> <p>Insulation resistance: 1000 megohms min. at 500 VDC</p> <p>Dielectric strength: 2000 V rms min. between terms. & frame. 2000 V rms min. between terminals</p> <p>Electrical life: 100,000 cycles at 0.3 A 24 V</p> <p>Mechanical life: 1,000,000 cycles min.</p> <p>Operating temperature range: -20°C to +55°C</p> <p>Solder heat resistance: 300°C max. for 5 seconds</p> <p>Washing not recommended</p>	<ul style="list-style-type: none"> ● .866" (22 mm) dia. models. ● Single pole NC momentary action. ● Standard models provide protection per IP54. ● Optional sealing options provide protection to IP65. ● Extremely rugged and durable.
	<p>MATERIALS</p> <p>Contacts & terminals: Silver plated brass</p> <p>Bushing & Actuator: Nickel plated brass (std'd)</p> <p>Case: PBT Hex. Mounting Nut: Nickel plated brass</p>

ORDER FORMAT: For complete model no., fill in 2 empty boxes with selected options shown below. Example of complete model no. - **AV021202C000**



Other Bushing/Actuator materials available - flat thermoplastic Actuators available - Actuator marking available - consult factory.



 <p>AV021202C000 (Model shown)</p>	<p>Blank - no sealing (std'd)</p>  <p>E - ① Internal seal meets IP65</p>  <p>K - ① Internal seal & ② front panel seals meet IP65</p>	<p>Min. dimensions for matrix mounting: 1.181" (30mm) x 1.181" (30mm).</p>  <p style="text-align: center;">Mounting Hole</p>	<p>Note: Models on this page are VDE recognized and marked.</p>
 <p>Schematic</p>	<p>Sealing</p>		