

# CONTROL KNOBS, MACHINED ALUMINUM

## FEATURES

- Anodized natural or black gloss finish.
- Anti-static plastic insert. (on many models)
- Positive retention #6-32 set screws.
- Fits 1/8" dia. & 1/4" dia. shafts.
- Functionally rugged.
- Special designs available.

## MATERIALS

Knob:  
Threaded Insert:  
Setscrew:

Machined aluminium (with plastic insert, where indicated).  
Brass.  
Heat treated high alloy steel with cup point and hex head,  
or slotted head. Note: 1 or 2 supplied, depending on model.

Notes: Dims. in inches & (millimeters). Shaft size is last 3 digits of Model No.

### 41005 SERIES Smooth finish with knurled black plastic insert and black indicator line on top



Note: Knob color is natural only for this Series.

| MODEL (Color natural) | A            | B           | C           |
|-----------------------|--------------|-------------|-------------|
| 410051A1/8            | .630 (16.0)  | .512 (13.0) | .590 (15.0) |
| 410051A1/4            | .630 (16.0)  | .512 (13.0) | .590 (15.0) |
| 410053A1/8            | .874 (22.2)  | .472 (12.0) | .531 (13.5) |
| 410053A1/4            | .874 (22.2)  | .646 (16.4) | .690 (17.5) |
| 410055A1/4            | 1.260 (32.0) | .472 (12.0) | .551 (14.0) |

### 42001 SERIES Fluted with plastic insert and line indicator on side



| MODEL (Color-natural) | MODEL (Color-black) | A           | B           | C           | D           | E           | F           | G           |
|-----------------------|---------------------|-------------|-------------|-------------|-------------|-------------|-------------|-------------|
| 420011A1/8*           | 420011B1/8*         | .500 (12.7) | .430 (10.9) | .380 (9.7)  | .430 (10.9) | .630 (16.0) | .512 (13.0) | .430 (10.9) |
| 420011A1/4*           | 420011B1/4*         | .500 (12.7) | .430 (10.9) | .380 (9.7)  | .430 (10.9) | .630 (16.0) | .512 (13.0) | .430 (10.9) |
| 420013A1/4            | 420013B1/4          | .748 (19.0) | .638 (16.2) | .591 (15.0) | .661 (16.8) | .630 (16.0) | .512 (13.0) | .429 (10.9) |
| 420015A1/4            | 420015B1/4          | .941 (23.9) | .819 (20.8) | .709 (18.0) | .819 (20.8) | .630 (16.0) | .512 (13.0) | .429 (10.9) |

\* indicates solid aluminum knob

### 42003 SERIES Diamond knurl plastic insert and line indicator on side



Note: 420031A1/8 & 420031A1/4 have only one set screw.

| MODEL (Color-natural) | MODEL (Color-black) | A            | B            | C           | D            | E           | F           | G           |
|-----------------------|---------------------|--------------|--------------|-------------|--------------|-------------|-------------|-------------|
| 420031A1/8*           | 420031B1/8*         | .500 (12.7)  | .402 (10.2)  | .380 (9.7)  | .402 (10.2)  | .634 (16.1) | .516 (13.1) | .469 (11.9) |
| 420031A1/4*           | 420031B1/4*         | .500 (12.7)  | .402 (10.2)  | .380 (9.7)  | .402 (10.2)  | .634 (16.1) | .516 (13.1) | .469 (11.9) |
| 420033A1/4*           | 420033B1/4*         | .748 (19.0)  | .681 (17.3)  | .591 (15.0) | .681 (17.3)  | .634 (16.1) | .516 (13.1) | .469 (11.9) |
| 420035A1/4*           | 420035B1/4*         | .940 (23.9)  | .870 (22.1)  | .709 (18.0) | .870 (22.1)  | .634 (16.1) | .516 (13.1) | .469 (11.9) |
| 420037A1/4*           | 420037B1/4*         | 1.252 (31.8) | 1.170 (29.6) | .980 (24.9) | 1.170 (29.6) | .748 (19.0) | .630 (16.0) | .591 (15.0) |

\* indicates solid aluminum knob

SPECIFICATIONS SUBJECT TO CHANGE WITHOUT NOTICE.

Notes: Dims. in inches & (millimeters). Shaft size is last 3 digits of Model No.

**42004 SERIES** Straight knurl with plastic insert and line indicator on top



Note: 420041A1/8 & 420041A1/4 have only one set screw.

| MODEL (Color-natural) | MODEL (Color-black) | A           | B           | C           | D           | E         | F           | G           |
|-----------------------|---------------------|-------------|-------------|-------------|-------------|-----------|-------------|-------------|
| 420041A1/8*           | 420041B1/8*         | .500 (12.7) | .480 (12.2) | .378 (9.6)  | .480 (12.2) | .788 (20) | .520 (13.2) | .453 (11.5) |
| 420041A1/4*           | 420041B1/4*         | .500 (12.7) | .480 (12.2) | .378 (9.6)  | .480 (12.2) | .788 (20) | .520 (13.2) | .453 (11.5) |
| 420043A1/4            | 420043B1/4          | .748 (19.0) | .728 (18.5) | .524 (13.3) | .728 (18.5) | .788 (20) | .520 (13.2) | .453 (11.5) |
| 420045A1/4            | 420045B1/4          | .929 (23.6) | .870 (22.1) | .720 (18.3) | .870 (22.1) | .788 (20) | .520 (13.2) | .453 (11.5) |

\* indicates solid aluminum knob

**42005 SERIES** Solid aluminum with straight knurl and arrowhead indicator on top



Note: 420051A1/8 & 420051A1/4 have only one set screw.

| MODEL (Color-natural) | MODEL (Color-black) | A           | B           | C           | D           | E           | F           | G           |
|-----------------------|---------------------|-------------|-------------|-------------|-------------|-------------|-------------|-------------|
| 420051A1/8*           | 420051B1/8*         | .500 (12.7) | .480 (12.2) | .378 (9.6)  | .480 (12.2) | .638 (16.2) | .520 (13.2) | .453 (11.5) |
| 420051A1/4*           | 420051B1/4*         | .500 (12.7) | .480 (12.2) | .378 (9.6)  | .480 (12.2) | .638 (16.2) | .520 (13.2) | .453 (11.5) |
| 420053A1/4            | 420053B1/4          | .748 (19.0) | .728 (18.5) | .524 (13.3) | .728 (18.5) | .638 (16.2) | .520 (13.2) | .453 (11.5) |
| 420055A1/4            | 420055B1/4          | .929 (23.6) | .870 (22.1) | .720 (18.3) | .870 (22.1) | .638 (16.2) | .520 (13.2) | .453 (11.5) |

\* indicates solid aluminum knob

**42006 SERIES** Straight knurl with plastic insert and line indicator on top and side



Note: 420061A1/8 & 420061A1/4 have only one set screw.

| MODEL (Color-natural) | MODEL (Color-black) | A            | B            | C            | D          | E           | F           | G           |
|-----------------------|---------------------|--------------|--------------|--------------|------------|-------------|-------------|-------------|
| 420061A1/8*           | 420061B1/8*         | .500 (12.7)  | .480 (12.2)  | .378 (9.6)   | .280 (7.1) | .638 (16.2) | .520 (13.2) | .524 (13.3) |
| 420061A1/4*           | 420061B1/4*         | .500 (12.7)  | .480 (12.2)  | .378 (9.6)   | .280 (7.1) | .638 (16.2) | .520 (13.2) | .524 (13.3) |
| 420063A1/4            | 420063B1/4          | .748 (19.0)  | .728 (18.5)  | .524 (13.3)  | .280 (7.1) | .638 (16.2) | .520 (13.2) | .524 (13.3) |
| 420065A1/4            | 420065B1/4          | .940 (23.9)  | .870 (22.1)  | .720 (18.3)  | .280 (7.1) | .638 (16.2) | .520 (13.2) | .524 (13.3) |
| 420067A1/4            | 420067B1/4          | 1.248 (31.7) | 1.220 (31.0) | 1.030 (26.2) | .280 (7.1) | .638 (16.2) | .512 (13.0) | .531 (13.5) |

\* indicates solid aluminum knob

**42007 SERIES** Serrated diamond trim with plastic insert and dot indicator on top



Note: 420071A1/8 & 420072A1/8 have only one set screw.

\* indicates solid aluminum knob

| MODEL (Color-natural) | MODEL (Color-black) | A           | B           | C           | D          | E          | F           | G           |
|-----------------------|---------------------|-------------|-------------|-------------|------------|------------|-------------|-------------|
| 420071A1/8*           | 420071B1/8*         | .370 (9.4)  | .268 (6.8)  | .276 (7.0)  | .091 (2.3) | .200 (5.1) | .240 (6.1)  | .300 (7.6)  |
| 420072A1/8*           | 420072B1/8*         | .370 (9.4)  | .268 (6.8)  | .276 (7.0)  | .091 (2.3) | .200 (5.1) | .358 (9.1)  | .449 (11.4) |
| 420072A1/4*           | 420072B1/4*         | .370 (9.4)  | .268 (6.8)  | .276 (7.0)  | .091 (2.3) | .200 (5.1) | .358 (9.1)  | .449 (11.4) |
| 420073A1/8*           | 420073B1/8*         | .492 (12.5) | .386 (9.8)  | .380 (9.7)  | .120 (3.1) | .280 (7.1) | .512 (13.0) | .598 (15.2) |
| 420073A1/4*           | 420073B1/4*         | .492 (12.5) | .386 (9.8)  | .380 (9.7)  | .120 (3.1) | .280 (7.1) | .512 (13.0) | .598 (15.2) |
| 420074A1/4            | 420074B1/4          | .748 (19.0) | .650 (16.5) | .587 (14.9) | .120 (3.1) | .280 (7.1) | .512 (13.0) | .598 (15.2) |

\* indicates solid aluminum knob

SPECIFICATIONS SUBJECT TO CHANGE WITHOUT NOTICE.

Notes: Dims. in inches & (millimeters). Shaft size is last 3 digits of Model No.

**42008 SERIES** Square serrations with plastic insert and line indicator on side



Note: 420081A1/8 & 420081A1/4 have only one set screw.

| MODEL (Color-natural) | MODEL (Color-black) | A            | B            | C           | D            | E          | F           | G           |
|-----------------------|---------------------|--------------|--------------|-------------|--------------|------------|-------------|-------------|
| 420081A1/8*           | 420081B1/8*         | .500 (12.7)  | .402 (10.2)  | .380 (9.7)  | .402 (10.2)  | .280 (7.1) | .512 (13.0) | .630 (16.0) |
| 420081A1/4*           | 420081B1/4*         | .500 (12.7)  | .402 (10.2)  | .380 (9.7)  | .402 (10.2)  | .280 (7.1) | .512 (13.0) | .630 (16.0) |
| 420083A1/4            | 420083B1/4          | .748 (19.0)  | .681 (17.3)  | .587 (14.9) | .681 (17.3)  | .280 (7.1) | .512 (13.0) | .630 (16.0) |
| 420085A1/4            | 420085B1/4          | .940 (23.9)  | .870 (22.1)  | .709 (18.0) | .870 (22.1)  | .280 (7.1) | .512 (13.0) | .630 (16.0) |
| 420087A1/4            | 420087B1/4          | 1.248 (31.7) | 1.165 (29.6) | .985 (25)   | 1.165 (29.6) | .280 (7.1) | .630 (16.0) | .630 (16.0) |

\* indicates solid aluminum knob

**42009 SERIES** Straight knurl with plastic insert and line indicator on top and chamfer around top



Note: Knob color is black only for this Series.

| MODEL (Color black) | A            | B           | C           |
|---------------------|--------------|-------------|-------------|
| 420091B1/8          | .732 (18.6)  | .374 (9.5)  | .472 (12.0) |
| 420091B1/4          | .732 (18.6)  | .374 (9.5)  | .472 (12.0) |
| 420092B1/4          | .898 (22.8)  | .433 (11.0) | .512 (13.0) |
| 420093B1/4          | 1.280 (32.5) | .492 (12.5) | .551 (14.0) |
| 420094B1/4          | 1.512 (38.4) | .531 (13.5) | .630 (16.0) |

\* indicates solid aluminum knob

**42011 SERIES** Smooth finish with plastic insert and line indicator on top



| MODEL (Color-natural) | MODEL (Color-black) | A            | B           | C           |
|-----------------------|---------------------|--------------|-------------|-------------|
| 420111A1/8            | 420111B1/8          | .709 (18.0)  | .374 (9.5)  | .472 (12.0) |
| 420111A1/4            | 420111B1/4          | .709 (18.0)  | .374 (9.5)  | .472 (12.0) |
| 420112A1/4            | 420112B1/4          | .874 (22.2)  | .433 (11.0) | .512 (13.0) |
| 420113A1/4            | 420113B1/4          | 1.255 (31.9) | .492 (12.5) | .551 (14.0) |
| 420114A1/4            | 420114B1/4          | 1.488 (37.8) | .531 (13.5) | .630 (16.0) |

\* indicates solid aluminum knob

**42012 SERIES** Straight knurl with plastic insert and line indicator on top



| MODEL (Color-natural) | A            | B           | C           |
|-----------------------|--------------|-------------|-------------|
| 420121A1/8            | .732 (18.6)  | .374 (9.5)  | .472 (12.0) |
| 420121A1/4            | .732 (18.6)  | .374 (9.5)  | .472 (12.0) |
| 420122A1/4            | .898 (22.8)  | .433 (11.0) | .512 (13.0) |
| 420123A1/4            | 1.280 (32.5) | .492 (12.5) | .551 (14.0) |
| 420124A1/4            | 1.512 (38.4) | .531 (13.5) | .630 (16.0) |

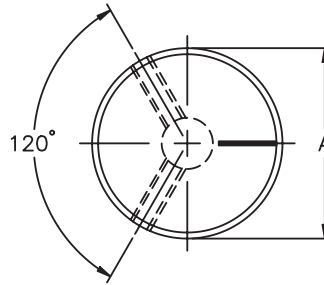
\* indicates solid aluminum knob

SPECIFICATIONS SUBJECT TO CHANGE WITHOUT NOTICE.



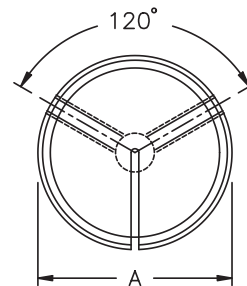
Notes: Dims. in inches & (millimeters). Shaft size is last 3 digits of Model No.

**KB SERIES** Solid aluminum with straight knurl and line indicator on top



| MODEL                     | COLOR       | A           | B           | C           | D           | E           | F           | G           |
|---------------------------|-------------|-------------|-------------|-------------|-------------|-------------|-------------|-------------|
| KB500A1/8AL               | Natural     | .500 (12.7) | .430 (10.9) | .390 (9.90) | .470 (11.9) | .790 (20.0) | .630 (16.0) | .610 (15.5) |
| KB500A1/4AL               | Natural     | .500 (12.7) | .430 (10.9) | .390 (9.90) | .470 (11.9) | .790 (20.0) | .630 (16.0) | .610 (15.5) |
| KB500B1/8AL               | Black       | .500 (12.7) | .430 (10.9) | .390 (9.90) | .470 (11.9) | .790 (20.0) | .630 (16.0) | .610 (15.5) |
| KB500B1/4AL               | Black       | .500 (12.7) | .430 (10.9) | .390 (9.90) | .470 (11.9) | .790 (20.0) | .630 (16.0) | .610 (15.5) |
| KB700A1/4AL               | Natural     | .750 (19.0) | .680 (17.3) | .590 (15.0) | .710 (18.0) | .790 (20.0) | .630 (16.0) | .610 (15.5) |
| KB700B1/4AL               | Black       | .750 (19.0) | .680 (17.3) | .590 (15.0) | .710 (18.0) | .790 (20.0) | .630 (16.0) | .610 (15.5) |
| KB900A1/4AL               | Natural     | .930 (23.6) | .870 (22.1) | .710 (18.0) | .900 (22.9) | .790 (20.0) | .630 (16.0) | .610 (15.5) |
| KB900B1/4AL               | Black       | .930 (23.6) | .870 (22.1) | .710 (18.0) | .900 (22.9) | .790 (20.0) | .630 (16.0) | .610 (15.5) |
| <b>TWO-TONED BODY-TOP</b> |             |             |             |             |             |             |             |             |
| KB500AB1/8AL              | NTL. & BLK. | .500 (12.7) | .430 (10.9) | .390 (9.90) | .470 (11.9) | .790 (20.0) | .630 (16.0) | .610 (15.5) |
| KB500AB1/4AL              | NTL. & BLK. | .500 (12.7) | .430 (10.9) | .390 (9.90) | .470 (11.9) | .790 (20.0) | .630 (16.0) | .610 (15.5) |
| KB500BA1/8AL              | BLK. & NTL. | .500 (12.7) | .430 (10.9) | .390 (9.90) | .470 (11.9) | .790 (20.0) | .630 (16.0) | .610 (15.5) |
| KB500BA1/4AL              | BLK. & NTL. | .500 (12.7) | .430 (10.9) | .390 (9.90) | .470 (11.9) | .790 (20.0) | .630 (16.0) | .610 (15.5) |
| KB700AB1/4AL              | NTL. & BLK. | .750 (19.0) | .680 (17.3) | .590 (15.0) | .710 (18.0) | .790 (20.0) | .630 (16.0) | .610 (15.5) |
| KB700BA1/4AL              | BLK. & NTL. | .750 (19.0) | .680 (17.3) | .590 (15.0) | .710 (18.0) | .790 (20.0) | .630 (16.0) | .610 (15.5) |
| KB900AB1/4AL              | NTL. & BLK. | .930 (23.6) | .870 (22.1) | .710 (18.0) | .900 (22.9) | .790 (20.0) | .630 (16.0) | .610 (15.5) |
| KB900BA1/4AL              | BLK. & NTL. | .930 (23.6) | .870 (22.1) | .710 (18.0) | .900 (22.9) | .790 (20.0) | .630 (16.0) | .610 (15.5) |

**KHF SERIES** Solid aluminum with smooth finish and sawcut indicator on top and side



| MODEL (Color-natural) | A           | B            | C           | D           | E           |
|-----------------------|-------------|--------------|-------------|-------------|-------------|
| KHF500A1/4            | .500 (12.7) | .380 (9.65)  | .120 (3.05) | .340 (8.64) | .560 (14.2) |
| KHF700A1/4            | .750 (19.0) | .590 (14.90) | .120 (3.05) | .580 (14.7) | .560 (14.2) |
| KHF900A1/4            | .940 (23.9) | .710 (18.0)  | .120 (3.05) | .780 (19.8) | .560 (14.2) |
| KHF1250A1/4           | 1.25 (31.8) | .980 (24.9)  | .120 (3.05) | 1.09 (27.7) | .560 (14.2) |

**KN SERIES** Solid aluminum with straight knurl and arrowhead indicator on top



| MODEL (Two-toned) | COLOR (Body-top) | A           | B           | C           | D           | E           | F           | G           |
|-------------------|------------------|-------------|-------------|-------------|-------------|-------------|-------------|-------------|
| KN501BA1/8        | Blk. & Natural   | .500 (12.7) | .450 (11.4) | .380 (9.65) | .450 (11.4) | .630 (16.0) | .510 (13.0) | .460 (11.7) |
| KN501BA1/4        | Blk. & Natural   | .500 (12.7) | .450 (11.4) | .380 (9.65) | .450 (11.4) | .630 (16.0) | .510 (13.0) | .460 (11.7) |
| KN701BA1/8        | Blk. & Natural   | .750 (19.0) | .680 (17.3) | .590 (15.0) | .700 (17.8) | .630 (16.0) | .510 (13.0) | .460 (11.7) |
| KN701BA1/4        | Blk. & Natural   | .750 (19.0) | .680 (17.3) | .590 (15.0) | .700 (17.8) | .630 (16.0) | .510 (13.0) | .460 (11.7) |

SPECIFICATIONS SUBJECT TO CHANGE WITHOUT NOTICE.

Notes: Dims. in inches & (millimeters). Shaft size is last 3 digits of Model No.

**KN SERIES** Solid aluminum with straight knurl and line indicator on side



SPECIFICATIONS SUBJECT TO CHANGE WITHOUT NOTICE.

| MODEL (Two-toned) | COLOR (Body-top) | A           | B           | C           | D           | E           | F           | G           |
|-------------------|------------------|-------------|-------------|-------------|-------------|-------------|-------------|-------------|
| KN500AB1/8        | Natural & Blk.   | .500 (12.7) | .450 (11.4) | .380 (9.65) | .450 (11.4) | .630 (16.0) | .510 (13.0) | .460 (11.7) |
| KN500AB1/4        | Natural & Blk.   | .500 (12.7) | .450 (11.4) | .380 (9.65) | .450 (11.4) | .630 (16.0) | .510 (13.0) | .460 (11.7) |
| KN500BA1/8        | Blk. & Natural   | .500 (12.7) | .450 (11.4) | .380 (9.65) | .450 (11.4) | .630 (16.0) | .510 (13.0) | .460 (11.7) |
| KN500BA1/4        | Blk. & Natural   | .500 (12.7) | .450 (11.4) | .380 (9.65) | .450 (11.4) | .630 (16.0) | .510 (13.0) | .460 (11.7) |
| KN700AB1/4        | Natural & Blk.   | .750 (19.0) | .700 (17.8) | .590 (14.9) | .700 (17.8) | .630 (16.0) | .510 (13.0) | .460 (11.7) |
| KN700BA1/4        | Blk. & Natural   | .750 (19.0) | .700 (17.8) | .590 (14.9) | .700 (17.8) | .630 (16.0) | .510 (13.0) | .460 (11.7) |
| KN900AB1/4        | Natural & Blk.   | .940 (23.9) | .880 (22.3) | .710 (18.0) | .800 (22.3) | .630 (16.0) | .510 (13.0) | .460 (11.7) |
| KN900BA1/4        | Blk. & Natural   | .940 (23.9) | .880 (22.3) | .710 (18.0) | .800 (22.3) | .630 (16.0) | .510 (13.0) | .460 (11.7) |
| KN1250AB1/4       | Natural & Blk.   | 1.25 (31.7) | 1.20 (30.5) | .980 (24.9) | 1.20 (30.5) | .630 (16.0) | .510 (13.0) | .460 (11.7) |
| KN1250BA1/4       | Blk. & Natural   | 1.25 (31.7) | 1.20 (30.5) | .980 (24.9) | 1.20 (30.5) | .630 (16.0) | .510 (13.0) | .460 (11.7) |

**KNS SERIES** Solid aluminum with straight knurl and arrowhead indicator on skirt

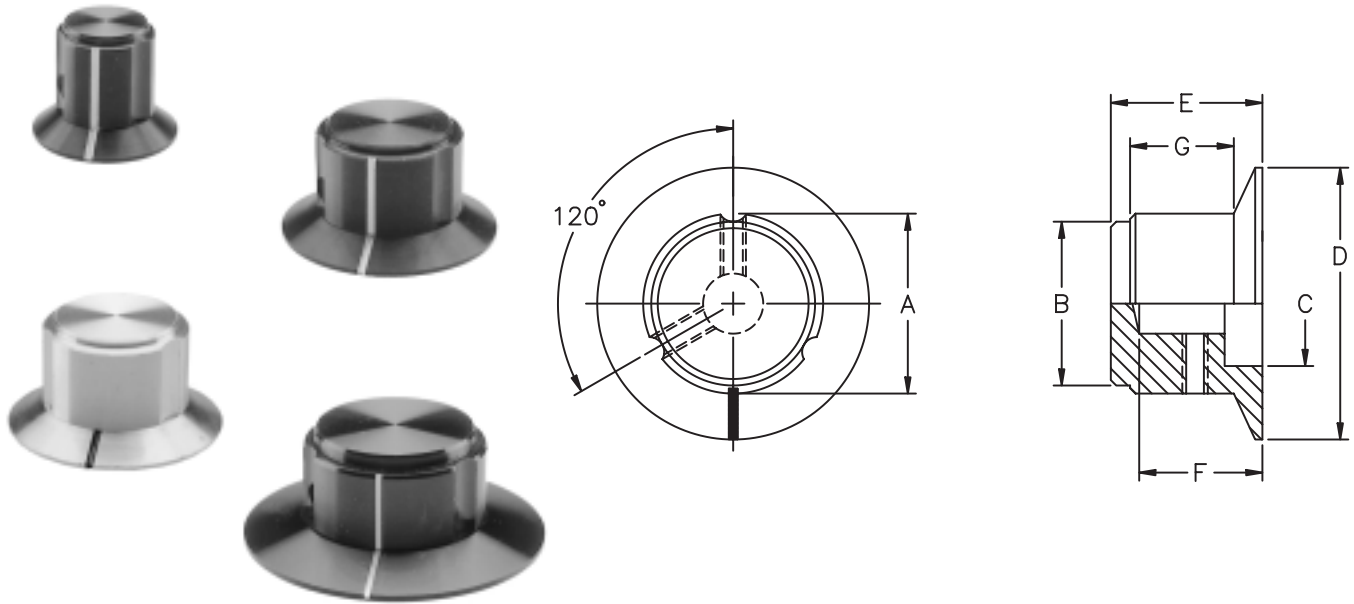


| MODEL            | COLOR                 | A           | B           | C           | D           | E           | F           | G           |
|------------------|-----------------------|-------------|-------------|-------------|-------------|-------------|-------------|-------------|
| KNS501A1/8       | Natural               | .500 (12.7) | .450 (11.4) | .380 (9.65) | .750 (19.0) | .630 (16.0) | .510 (13.0) | .430 (10.9) |
| KNS501A1/4       | Natural               | .500 (12.7) | .450 (11.4) | .380 (9.65) | .750 (19.0) | .630 (16.0) | .510 (13.0) | .430 (10.9) |
| KNS501B1/8       | Black                 | .500 (12.7) | .450 (11.4) | .380 (9.65) | .750 (19.0) | .630 (16.0) | .510 (13.0) | .430 (10.9) |
| KNS501B1/4       | Black                 | .500 (12.7) | .450 (11.4) | .380 (9.65) | .750 (19.0) | .630 (16.0) | .510 (13.0) | .430 (10.9) |
| KNS701A1/4       | Natural               | .750 (19.0) | .700 (17.8) | .590 (14.9) | 1.13 (28.3) | .630 (16.0) | .510 (13.0) | .430 (10.9) |
| KNS701B1/4       | Black                 | .750 (19.0) | .700 (17.8) | .590 (14.9) | 1.13 (28.3) | .630 (16.0) | .510 (13.0) | .430 (10.9) |
| <b>TWO-TONED</b> | <b>BODY-TOP-SKIRT</b> |             |             |             |             |             |             |             |
| KNS501BA1/8      | Blk. & Natural        | .500 (12.7) | .450 (11.4) | .380 (9.65) | .750 (19.0) | .630 (16.0) | .510 (13.0) | .430 (10.9) |
| KNS501BA1/4      | Blk. & Natural        | .500 (12.7) | .450 (11.4) | .380 (9.65) | .750 (19.0) | .630 (16.0) | .510 (13.0) | .430 (10.9) |
| KNS701BA1/8      | Blk. & Natural        | .750 (19.0) | .700 (17.8) | .590 (14.9) | 1.13 (28.3) | .630 (16.0) | .510 (13.0) | .430 (10.9) |
| KNS701BA1/4      | Blk. & Natural        | .750 (19.0) | .700 (17.8) | .590 (14.9) | 1.13 (28.3) | .630 (16.0) | .510 (13.0) | .430 (10.9) |



Notes: Dims. in inches & (millimeters). Shaft size is last 3 digits of Model No.

**KS SERIES** Solid aluminum with 3 flute design and line indicator on side and skirt



| MODEL     | COLOR   | A           | B           | C           | D           | E           | F           | G           |
|-----------|---------|-------------|-------------|-------------|-------------|-------------|-------------|-------------|
| KS500A1/8 | Natural | .500 (12.7) | .430 (10.9) | .380 (9.65) | .750 (19.0) | .630 (16.0) | .510 (12.9) | .430 (10.9) |
| KS500A1/4 | Natural | .500 (12.7) | .430 (10.9) | .380 (9.65) | .750 (19.0) | .630 (16.0) | .510 (12.9) | .430 (10.9) |
| KS500B1/8 | Black   | .500 (12.7) | .430 (10.9) | .380 (9.65) | .750 (19.0) | .630 (16.0) | .510 (12.9) | .430 (10.9) |
| KS500B1/4 | Black   | .500 (12.7) | .430 (10.9) | .380 (9.65) | .750 (19.0) | .630 (16.0) | .510 (12.9) | .430 (10.9) |
| KS700A1/4 | Natural | .750 (19.0) | .650 (16.5) | .590 (14.9) | 1.12 (28.4) | .630 (16.0) | .510 (12.9) | .430 (10.9) |
| KS700B1/4 | Black   | .750 (19.0) | .650 (16.5) | .590 (14.9) | 1.12 (28.4) | .630 (16.0) | .510 (12.9) | .430 (10.9) |
| KS900A1/4 | Natural | .940 (23.9) | .820 (20.8) | .710 (18.0) | 1.40 (35.6) | .630 (16.0) | .510 (12.9) | .430 (10.9) |
| KS900B1/4 | Black   | .940 (23.9) | .820 (20.8) | .710 (18.0) | 1.40 (35.6) | .630 (16.0) | .510 (12.9) | .430 (10.9) |

SPECIFICATIONS SUBJECT TO CHANGE WITHOUT NOTICE.