

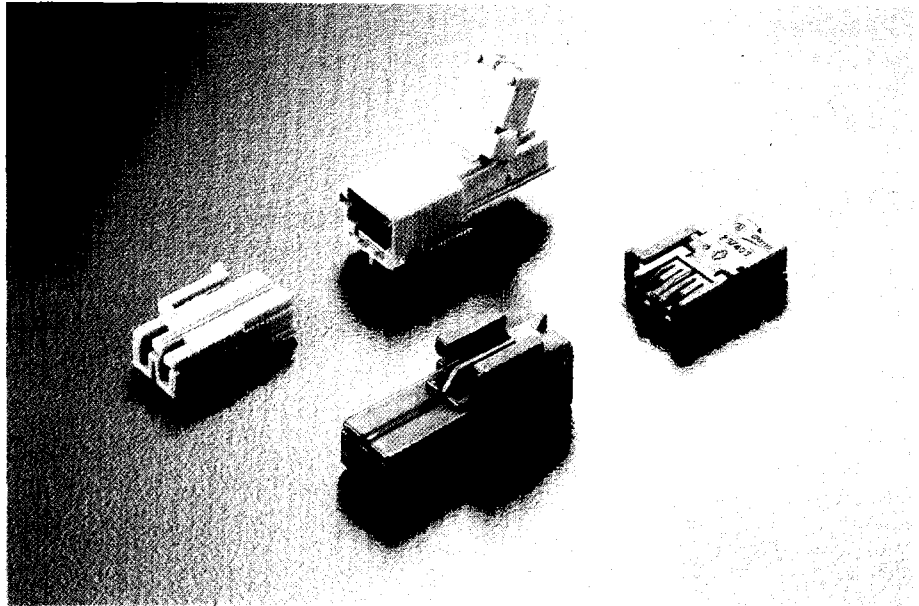
# Connectors for safety restraint systems

## SICMA

### 2 way coupling housings for 1.5 mm terminals

#### Features

- Compact version
- 5 mm pitch
- Hinge secondary lock
- Terminal position assurance (T.P.A.)
- Male housing with an integrated gold plated shorting clip
- GO-NO-GO housing locking principle
- Several colour codings available



Part Numbers	No. of Position	Terminal size	Type	Colour
211 PC022S6010	2	1.5 mm	Female housing	Blue
211 PC022S1010	2	1.5 mm	Female housing	Brown
211 PC022S9010	2	1.5 mm	Female housing	White
211 PC022S5010	2	1.5 mm	Female housing	Green
211 PL022S6010	2	1.5 mm	Male housing	Blue
211 PL022S1010	2	1.5 mm	Male housing	Brown
211 PL022S9010	2	1.5 mm	Male housing	White
211 PL022S5010	2	1.5 mm	Male housing	Green

#### Performance characteristics

- Temperature range :  
from -40°C to +125°C
- Contact retention force : > 100 N
- Contact insertion force : < 5 N

#### Construction

- Housing material : PBT

#### Tooling

- Terminal removal tool
- Female terminal : 210S041
- Male terminal : 210S042

#### Connector compatibility

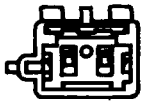
- Usable terminals :
  - Sicma-2 1.5 mm male terminals
  - Sicma-2 1.5 mm female terminals
  - Sicma-3 1.5 mm male terminals
  - Sicma-3 1.5 mm female terminals

# Connectors for safety restraint systems

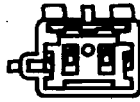
## SICMA

### Dimensional characteristics

#### Codings



BROWN



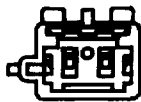
BLUE



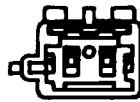
BROWN



BLUE



GREEN



WHITE

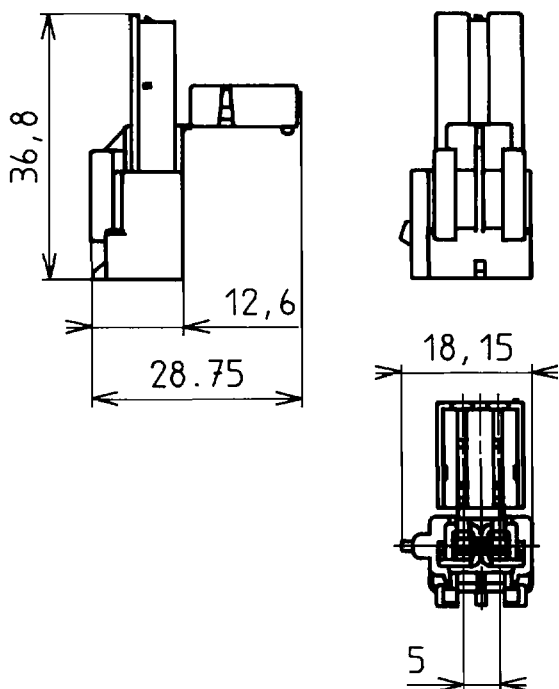


GREEN



WHITE

#### Male housing



#### Female housing

