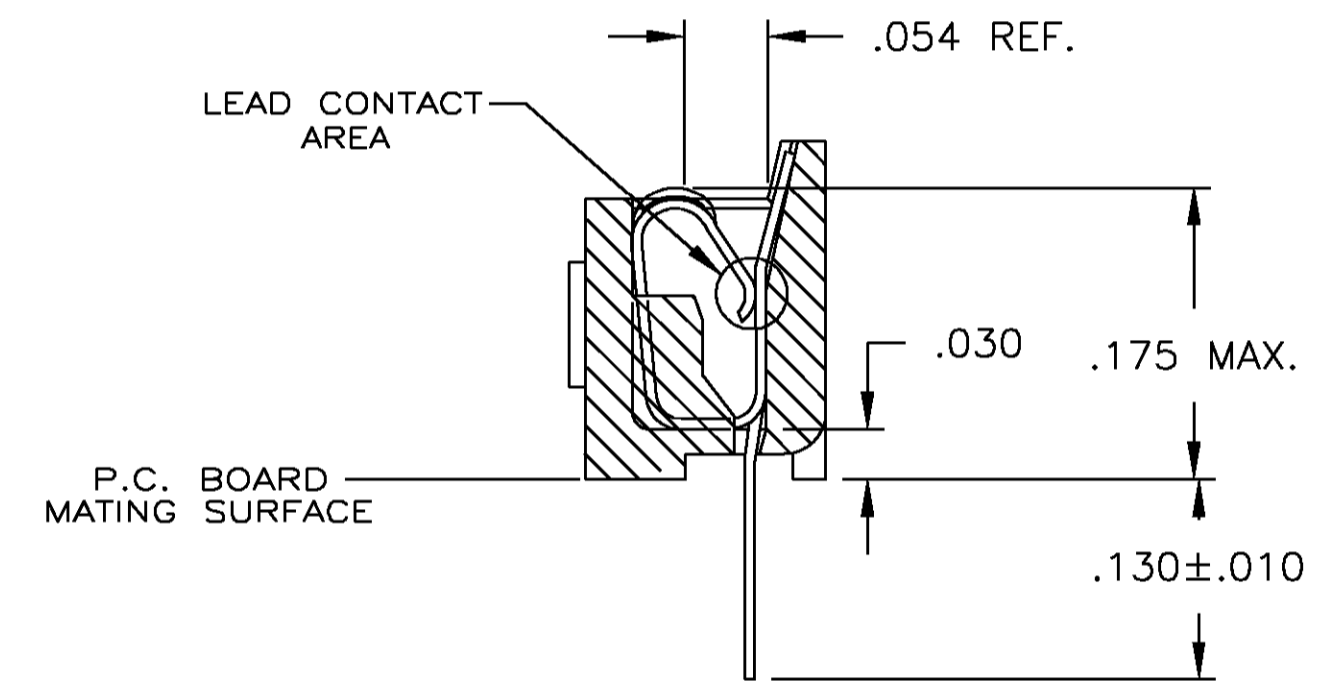
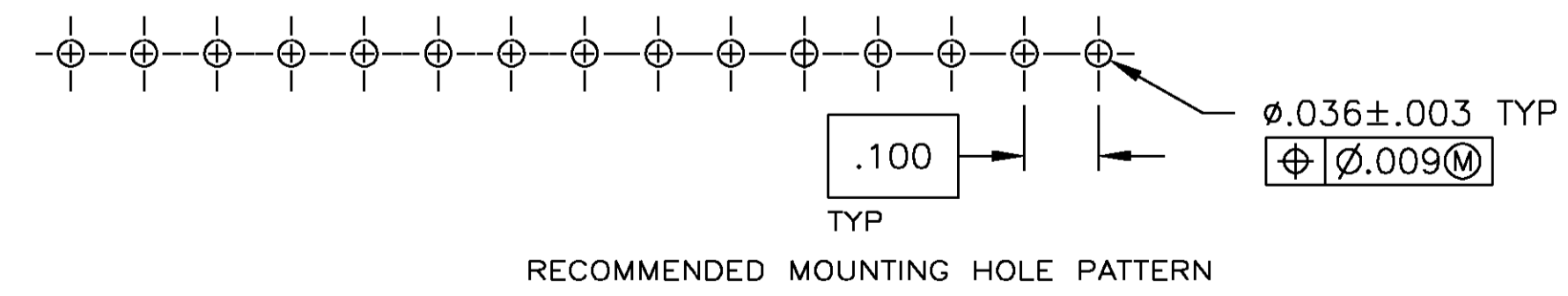
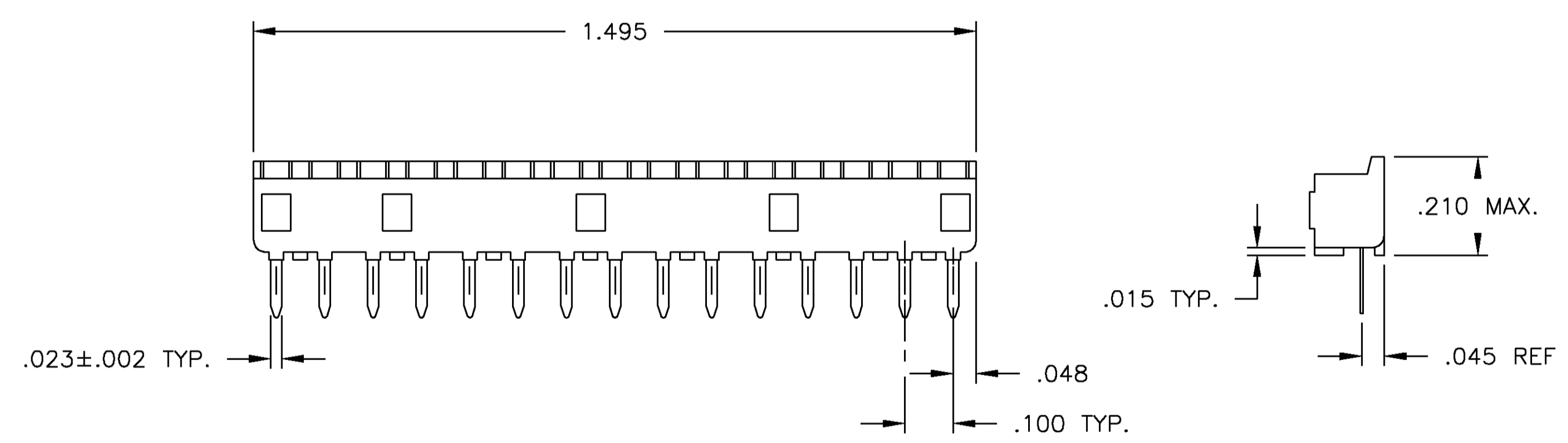


SECTION A-A  
ROTATED 90° CW  
SCALE 10:1  
FOR -6, -7 & -8 ONLY

- 1. RECEPTACLE ACCEPTS AN .008-.014 THK. I.C. LEAD.
- 2. TWO .000030 MIN.THK.GOLD STRIPES IN CONTACT AREA, TIN-LEAD(93-7) ON CONTACT LEGS, BALANCE OF CONTACT NICKEL PLATED.
- 3. TWO .000015 MIN.THK.GOLD STRIPES IN CONTACT AREA, TIN-LEAD(93-7) ON CONTACT LEGS, BALANCE OF CONTACT NICKEL PLATED.



SECTION A-A  
ROTATED 90° CW  
SCALE 10:1  
FOR -1, -2 & -3 ONLY



CONTACT FINISH	CONTACT MAT'L	HOUSING MATERIAL	PART NO.	
TINNED	PHOS.BRZ.	GLASS-FILLED THERMOPLASTIC, 94V-0, BLACK	643647-8	
OBSOLETE	BE.CU.	GLASS-FILLED THERMOPLASTIC, 94V-0, BLACK	643647-7	
TINNED	BE.CU.	GLASS-FILLED THERMOPLASTIC, 94V-0, BLACK	643647-6	
SUPSD BY 643647-2	PHOS.BRZ.	GLASS-FILLED THERMOPLASTIC, 94V-0, BLACK	643647-4	
OBSOLETE	TINNED	PHOS.BRZ.	GLASS-FILLED THERMOPLASTIC, 94V-0, BLACK	643647-3
OBSOLETE	BE.CU.	GLASS-FILLED THERMOPLASTIC, 94V-0, BLACK	643647-2	
TINNED	BE.CU.	GLASS-FILLED THERMOPLASTIC, 94V-0, BLACK	643647-1	

THIS DRAWING IS A CONTROLLED DOCUMENT.

DIMENSIONS: INCHES 0 P/LC ± - 1 P/LC ± - 2 P/LC ± - 3 P/LC ± .005 4 P/LC ± - ANGLES ± -	TOLERANCES UNLESS OTHERWISE SPECIFIED: .0005 .001 .002 .005 .010 .015 .030 .050 .100 .150 .300 .500 1.000 2.000 3.000 4.000 6.000 8.000 12.000 18.000 24.000 36.000 48.000 72.000 96.000 144.000 192.000 288.000 384.000 576.000 768.000 1152.000 1536.000 2304.000	THIS DRAWING IS A CONTROLLED DOCUMENT. DATE: 8-1-84 BY: M. CYRUS OR: N. JONES AP'D: J. GRAY PRODUCT SPEC: 108-1066 APPLICATION SPEC: 114-1049 WEIGHT: - CUSTOMER DRAWING	DATE: 7-3-84 DATE: 7-10-84 NAME: SOCKET ASSY, SIP, 15 POS, DIPLOMATE DL SIZE: A1 CASE CODE: 00779 DRAWING NO: 643647 SCALE: 5:1 SHEET: 1 OF 1 REV: K
--	---	--	--



**SIP Sockets** (Continued)

**Solder Tail Dual Leaf (DL)** (Continued)

No. of Pos.	Dimensions		Straight Solder Tail			Retention Solder Tail			Package Quantities		
			Beryllium Copper		Phosphor Bronze	Beryllium Copper		Phosphor Bronze	Qty. Per Tray	Trays Per Box	Total Qty. Per Box
	Tinned	0.00076 [.000030] Gold Plate	Tinned	Tinned		0.00076 [.000030] Gold Plate	Tinned				
3	7.49 .295	5.08 .200	382437-1	382437-2	382437-3	—	—	—	740	4	2960
4	10.03 .395	7.62 .300	382438-1	—	—	—	—	—	560	4	2240
5	12.57 .495	10.16 .400	382439-1	—	—	—	—	—	440	4	1760
6	15.11 .595	12.70 .500	382440-1	—	382440-3	—	—	—	360	4	1440
7	17.65 .695	15.24 .600	382441-1	—	382441-3	—	—	—	320	4	1280
8	20.19 .795	17.78 .700	643640-1	643640-2	643640-3	643640-6	—	643640-8	280	4	1120
9	22.73 .895	20.32 .800	643641-1	643641-2	643641-3	643641-6	—	643641-8	240	4	960
10	25.27 .995	22.86 .900	643642-1	643642-2	643642-3	643642-6	—	643642-8	220	4	880
11	27.81 1.095	25.40 1.000	643643-1	643643-2	643643-3	643643-6	—	643643-8	200	4	800
12	30.35 1.195	27.94 1.100	643644-1	643644-2	643644-3	643644-6	643644-7	643644-8	180	4	720
13	32.89 1.295	30.48 1.200	643645-1	643645-2	643645-3	643645-6	—	—	160	4	640
14	35.43 1.395	33.02 1.300	643646-1	643646-2	643646-3	643646-6	643646-7	643646-8	160	4	640
15	37.97 1.495	35.56 1.400	643647-1	—	643647-3	643647-6	—	643647-8	140	4	560
16	40.51 1.595	38.10 1.500	643648-1	643648-2	643648-3	643648-6	—	643648-8	140	4	560
17	43.05 1.695	40.64 1.600	643649-1	—	643649-3	643649-6	—	643649-8	120	4	480
18	45.59 1.795	43.18 1.700	643650-1	—	643650-3	643650-6	—	643650-8	120	4	480
19	48.13 1.895	45.72 1.800	—	—	643651-3	—	—	643651-8	100	4	400
20	50.75 1.995	48.26 1.900	643652-1	—	643652-3	643652-6	643652-7	643652-8	100	4	400
21	53.21 2.095	50.80 2.000	643653-1	—	643653-3	643653-6	643653-7	643653-8	100	4	400
22	55.75 2.195	53.34 2.100	643654-1	—	643654-3	643654-6	—	643654-8	100	4	400
23	58.29 2.295	55.88 2.200	—	—	—	—	—	643655-8	80	4	320
24	60.83 2.395	58.42 2.300	—	—	643656-3	643656-6	—	—	80	4	320
25	63.37 2.495	60.96 2.400	643657-1	643657-2	—	643657-6	643657-7	—	80	4	320
26	70.99 2.795	68.58 2.700	—	—	643660-3	—	—	643660-8	80	4	320
29	73.53 2.895	71.12 2.800	—	—	643661-3	—	—	—	60	4	240
30	76.07 2.995	73.66 2.900	643662-1	—	643662-3	—	—	—	60	4	240

Sockets

Other Sockets and Programming Devices



SIP Sockets (Continued)

Solder Tail Dual Leaf (DL) (Continued)

No. of Pos.	Dimensions		Straight Solder Tail			Retention Solder Tail			Package Quantities		
			Beryllium Copper		Phosphor Bronze	Beryllium Copper		Phosphor Bronze	Qty. Per Tray	Trays Per Box	Total Qty. Per Box
	Tinned	0.00076 [.000030] Gold Plate	Tinned	Tinned	0.00076 [.000030] Gold Plate	Tinned					
3	7.49 .295	5.08 .200	382437-1	382437-2	382437-3	—	—	—	740	4	2960
4	10.03 .395	7.62 .300	382438-1	—	—	—	—	—	560	4	2240
5	12.57 .495	10.16 .400	382439-1	—	—	—	—	—	440	4	1760
6	15.11 .595	12.70 .500	382440-1	—	382440-3	—	—	—	360	4	1440
7	17.65 .695	15.24 .600	382441-1	—	382441-3	—	—	—	320	4	1280
8	20.19 .795	17.78 .700	643640-1	643640-2	643640-3	643640-6	—	643640-8	280	4	1120
9	22.73 .895	20.32 .800	643641-1	643641-2	643641-3	643641-6	—	643641-8	240	4	960
10	25.27 .995	22.86 .900	643642-1	643642-2	643642-3	643642-6	—	643642-8	220	4	880
11	27.81 1.095	25.40 1.000	643643-1	643643-2	643643-3	643643-6	—	643643-8	200	4	800
12	30.35 1.195	27.94 1.100	643644-1	643644-2	643644-3	643644-6	643644-7	643644-8	180	4	720
13	32.89 1.295	30.48 1.200	643645-1	643645-2	643645-3	643645-6	—	—	160	4	640
14	35.43 1.395	33.02 1.300	643646-1	643646-2	643646-3	643646-6	643646-7	643646-8	160	4	640
15	37.97 1.495	35.56 1.400	643647-1	—	643647-3	643647-6	—	643647-8	140	4	560
16	40.51 1.595	38.10 1.500	643648-1	643648-2	643648-3	643648-6	—	643648-8	140	4	560
17	43.05 1.695	40.64 1.600	643649-1	—	643649-3	643649-6	—	643649-8	120	4	480
18	45.59 1.795	43.18 1.700	643650-1	—	643650-3	643650-6	—	643650-8	120	4	480
19	48.13 1.895	45.72 1.800	—	—	643651-3	—	—	643651-8	100	4	400
20	50.75 1.995	48.26 1.900	643652-1	—	643652-3	643652-6	643652-7	643652-8	100	4	400
21	53.21 2.095	50.80 2.000	643653-1	—	643653-3	643653-6	643653-7	643653-8	100	4	400
22	55.75 2.195	53.34 2.100	643654-1	—	643654-3	643654-6	—	643654-8	100	4	400
23	58.29 2.295	55.88 2.200	—	—	—	—	—	643655-8	80	4	320
24	60.83 2.395	58.42 2.300	—	—	643656-3	643656-6	—	—	80	4	320
25	63.37 2.495	60.96 2.400	643657-1	643657-2	—	643657-6	643657-7	—	80	4	320
28	70.99 2.795	68.58 2.700	—	—	643660-3	—	—	643660-8	80	4	320
29	73.53 2.895	71.12 2.800	—	—	643661-3	—	—	—	60	4	240
30	76.07 2.995	73.66 2.900	643662-1	—	643662-3	—	—	—	60	4	240

- [Home](#)
- [Part Number Search](#)
- [Document Search](#)
- [Text Search](#)
- [Alternate Part Search](#)
- [Multiple Part Comparison](#)
- [Alphabetical Search](#)
- [Brand Search](#)
- [Industry Product Search](#)
- [Product Type Search](#)
- [Product Family Search](#)
- [Competitor Cross Reference](#)
- [Lead Free Solutions](#)
- [Help/Glossary](#)

<b>Current Brand View</b>	<a href="#">View All Tyco Electronics Brands</a> Click to activate links to all other products
AMP	

## Sockets

### AMP SIP Sockets

AMP    **643647-8**    Active    [Active](#)

**(Tyco Electronics P/N: 643647-8)**

[CAD Geometry](#) | [Search for Parts](#) | S [Previous](#) [1] 2 [Next](#) N

Document links for this part cannot be displayed. Your browser does not support inline frames or is currently configured not to display inline frames. Inline frames are supported in both Internet Explorer 5 and Netscape 6, as well as all later versions of these browsers.

Related Part Information		
General Information	eCommerce	Related Part Information
<ul style="list-style-type: none"> <li><span style="border: 1px solid red; padding: 2px;"></span> <a href="#">General Info</a></li> <li><span style="border: 1px solid red; padding: 2px;"></span> <a href="#">Sales Info</a></li> <li><span style="border: 1px solid red; padding: 2px;"></span> <a href="#">Assembly Subcontractors</a></li> </ul>	<ul style="list-style-type: none"> <li><span style="border: 1px solid red; padding: 2px;"></span> <a href="#">Pricing</a></li> <li><span style="border: 1px solid red; padding: 2px;"></span> <a href="#">Product Availability</a></li> </ul>	

**Photos & Line Drawings** - The photographs and/or line drawings are representative images of a product for viewing purposes only.

[Product Photo](#)

Searchable Features:	
<b>Brand:</b>	AMP
<b>No. of Positions:</b>	15
<b>Contact Style:</b>	Stamped + Formed
<b>Leg Style:</b>	Retention
<b>Contact Material:</b>	Phosphor Bronze
<b>Contact Mating Area Plating:</b>	Tin

Other Properties:	
<b>Proprietary Name:</b>	DIPLOMATE DL
<b>Frame Style:</b>	Closed
<b>Housing Material:</b>	Glass-Filled Thermoplastic
<b>Housing Flammability Rating:</b>	UL 94V-0
<b>Height Above PC Board (mm [in]):</b>	4.45 [0.175]
<b>Color:</b>	Black
<b>Centerline (mm [in]):</b>	2.54 [0.100]
<b>Packaging Method:</b>	Tray
<b>Qty./Tray:</b>	140
<b>Qty. Trays/Box:</b>	4

---

[Copyright](#) and [Privacy Statement](#)

Visit [Tyco International, Ltd.](#)

[Products](#) | [Catalog](#) | [Brands](#) | [Industries](#) | [Commerce](#) | [Supplier](#) | [Customer Service](#) | [About](#) | [Home](#)