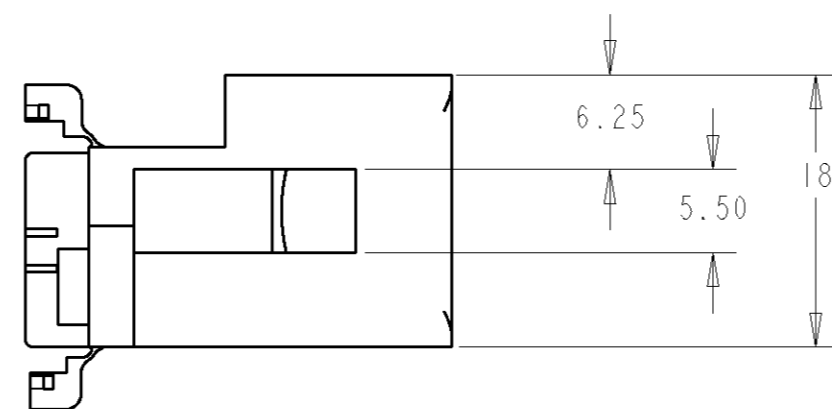
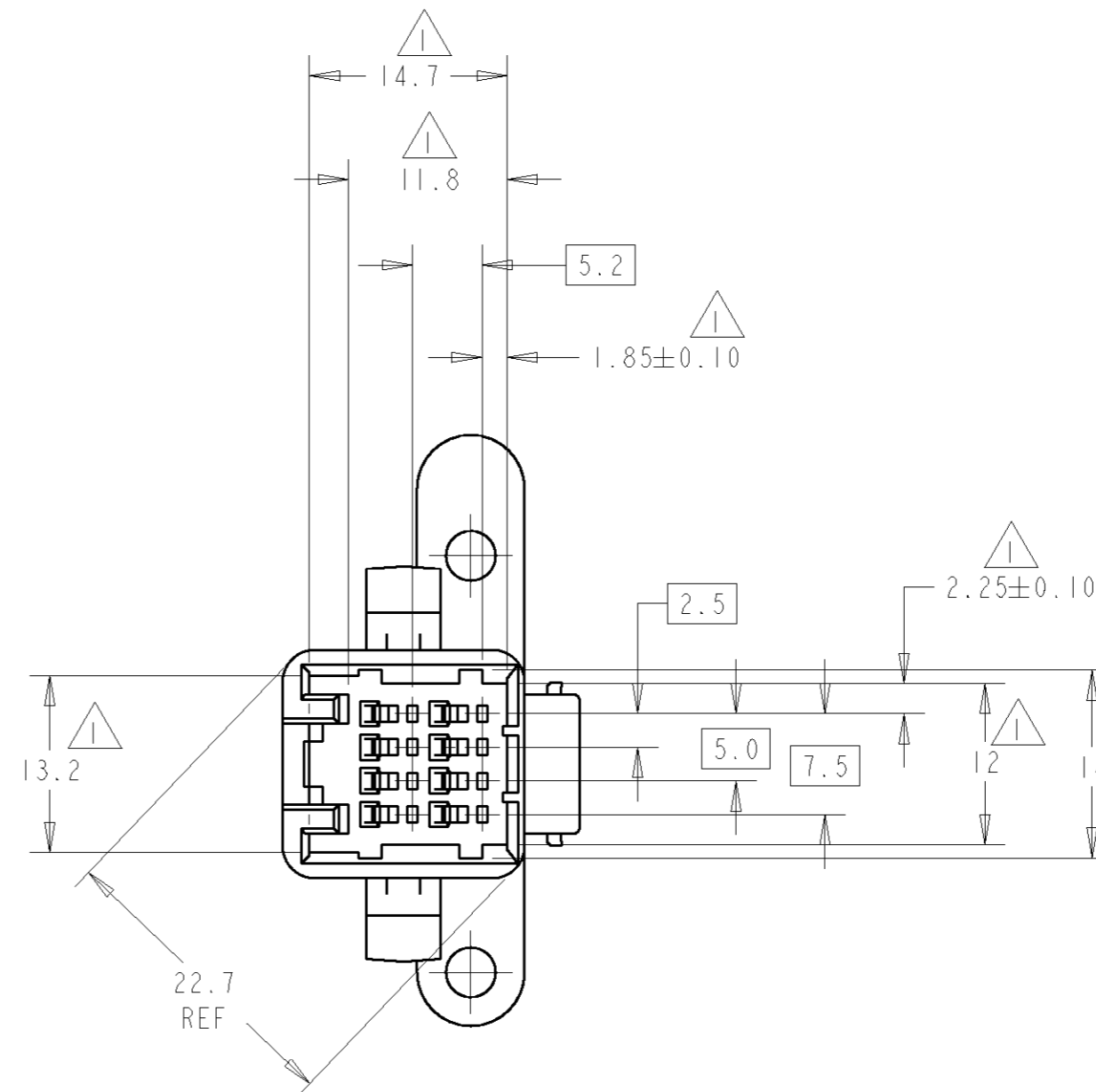
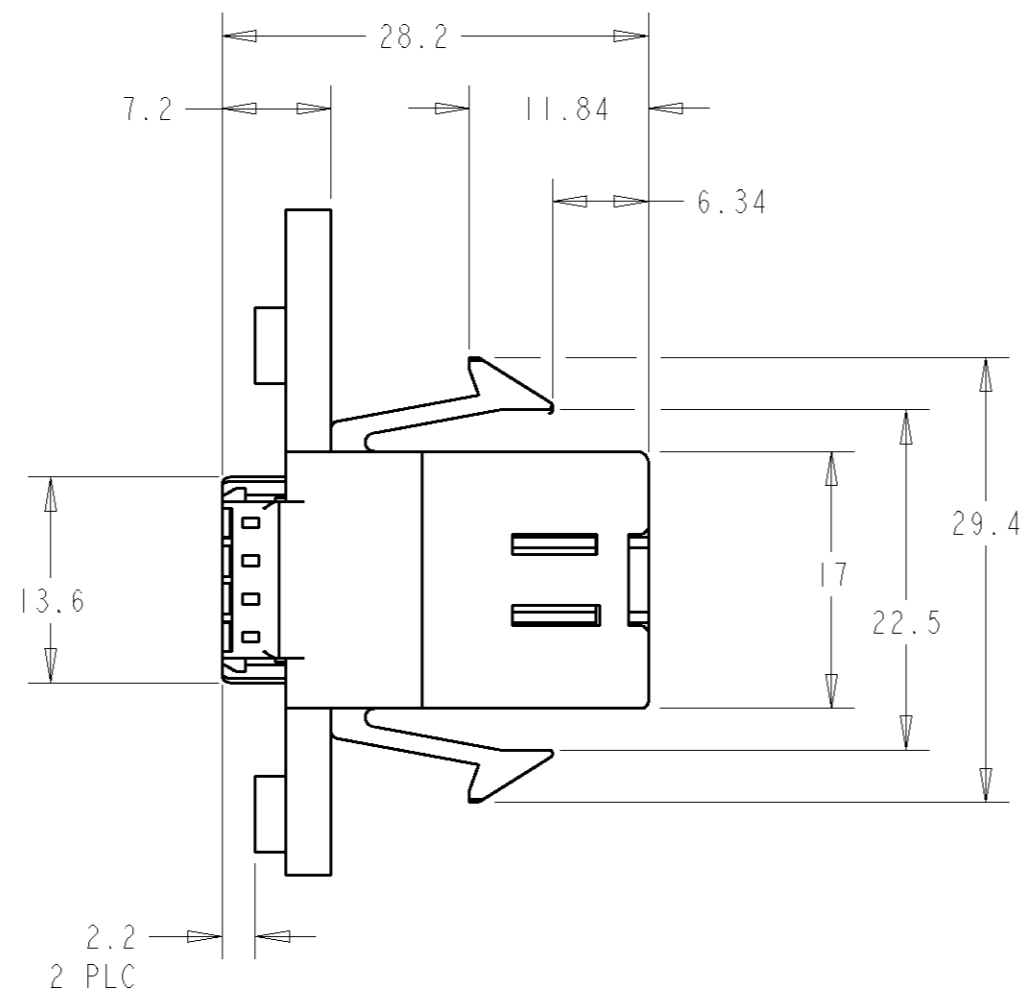
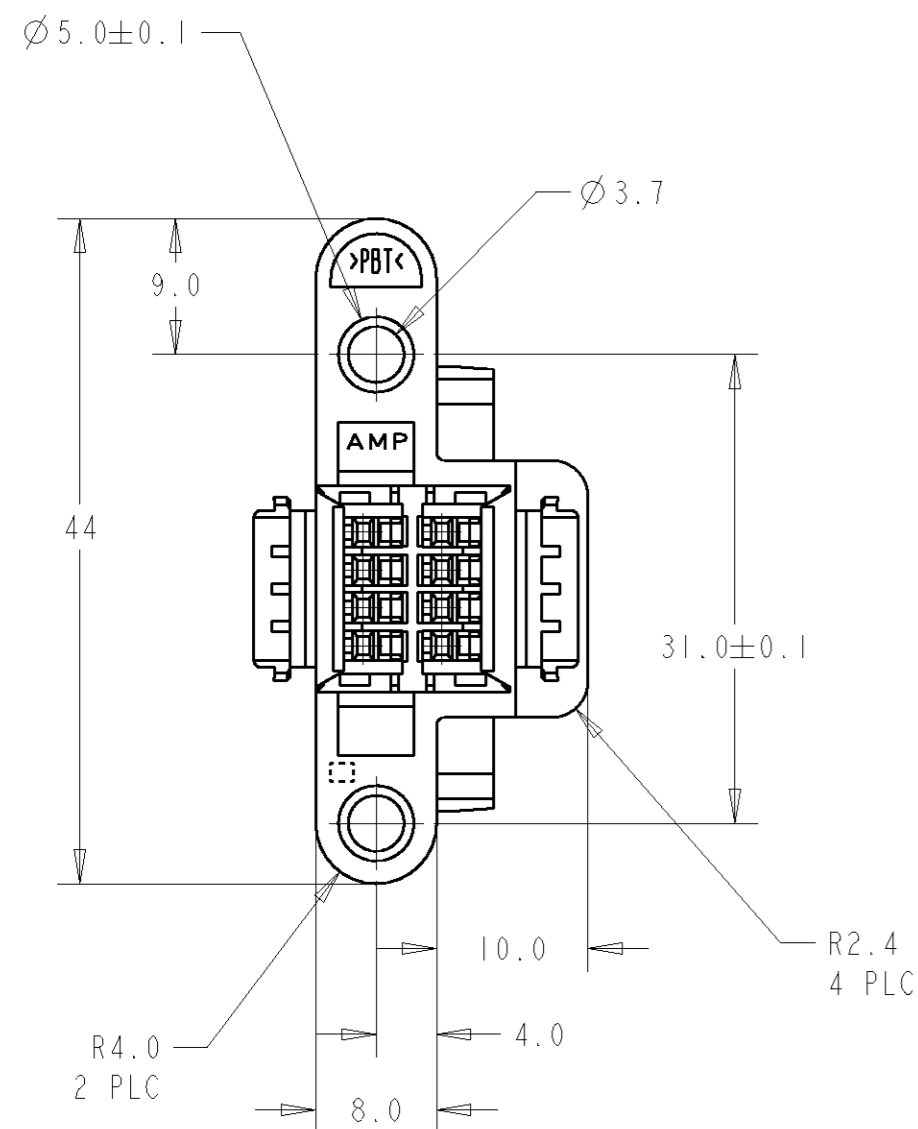
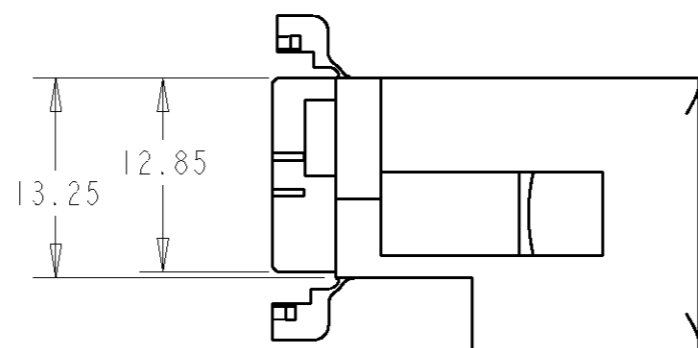
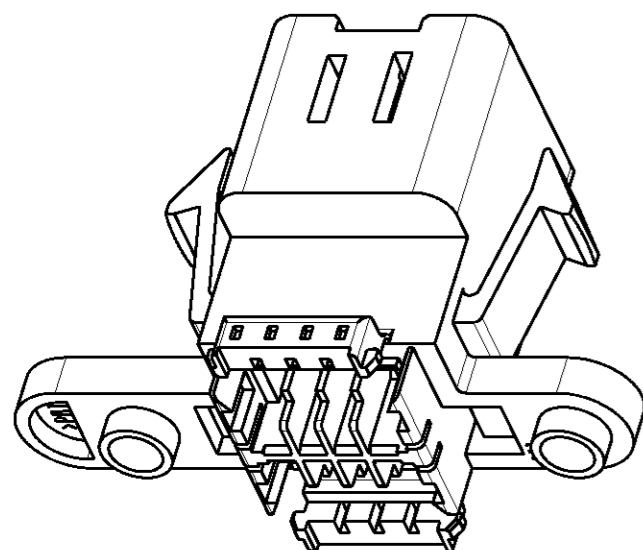


THIS DRAWING IS UNPUBLISHED. RELEASED FOR PUBLICATION .19
 © COPYRIGHT 19 BY AMP INCORPORATED. ALL RIGHTS RESERVED.

LOC	DIST	REVISIONS			
F	LTR	DESCRIPTION	DATE	DWN	APVD
	E	REV PER EC 0K80-0231-04	10AUG2004	RGV	SSA
	F	REV PER ECR-05-005064	09MAR2006	AH	SA

NOTE

- 1. TO BE MEASURED BETWEEN [-Z-] AND 2mm FROM [-Z-].
- 2. THE MATING PLUG HOUSING PART NUMBER IS 174044
- 3. APPLICABLE CONTACT PART NUMBER IS 173682



NATURAL	638285-1
COLOR	PART NO

THIS DRAWING IS A CONTROLLED DOCUMENT FOR AMP INCORPORATED. IT IS SUBJECT TO CHANGE AND THE CONTROLLING ENGINEERING ORGANIZATION SHOULD BE CONTACTED FOR THE LATEST REVISION.		DWN R. CORE 21JUN99	Tyco Electronics Harrisburg, PA 17105-3608
DIMENSIONS: mm		CHK M. MENDYK 21JUN99	
TOLERANCES UNLESS OTHERWISE SPECIFIED: 0 PLC ±0.3 1 PLC ±0.3 2 PLC ±0.15 3 PLC ± 4 PLC ± ANGLES ±1 FINISH -		APVD M. MENDYK 21JUN99	NAME CAP HOUSING, .040 8 POS, MULTI-LOCK CONNECTOR
MATERIAL -		PRODUCT SPEC 108-5352	SIZE A2
		APPLICATION SPEC 114-5108	CAGE CODE 00779
		WEIGHT -	DRAWING NO 638285
		CUSTOMER DRAWING	SCALE 2:1 SHEET 1 OF 1 REV F