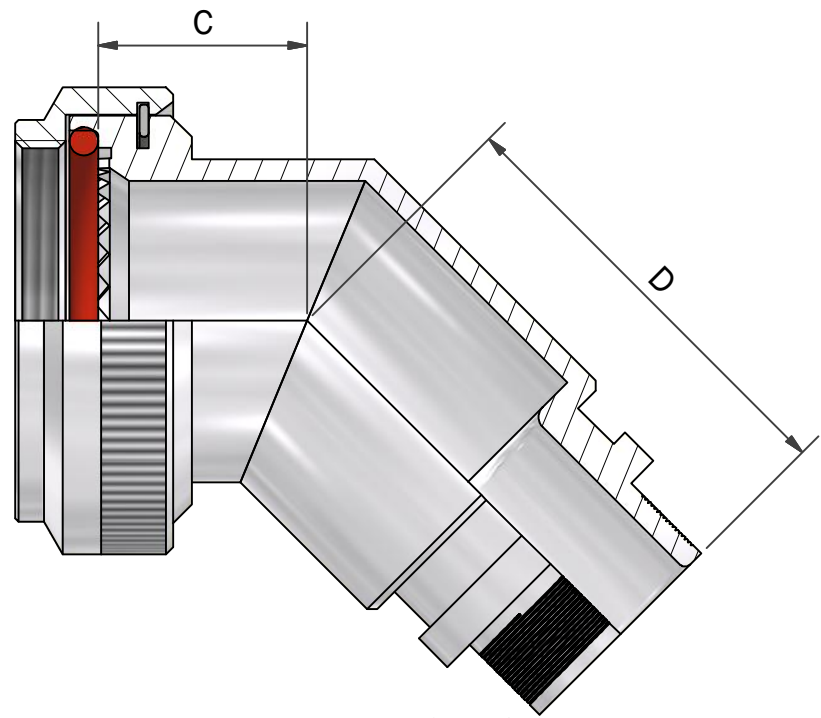
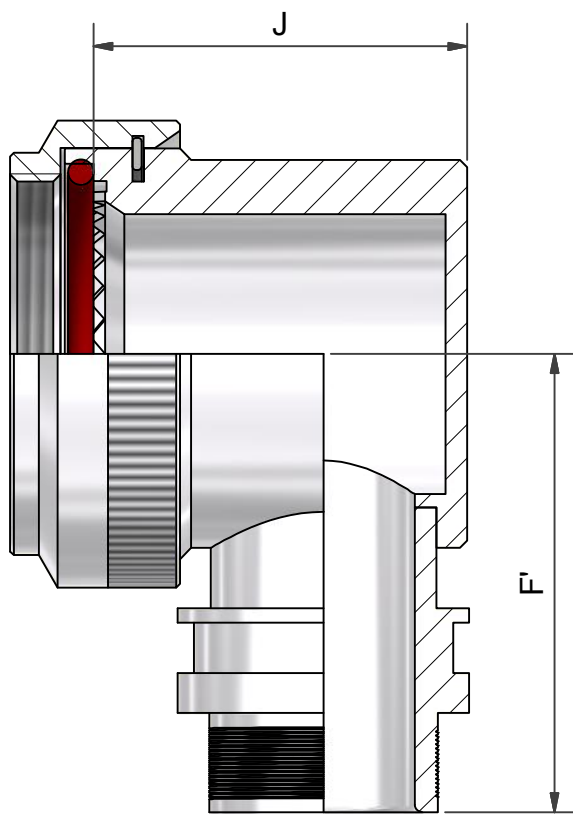


PART MARK AND  
BATCH NUMBER HERE

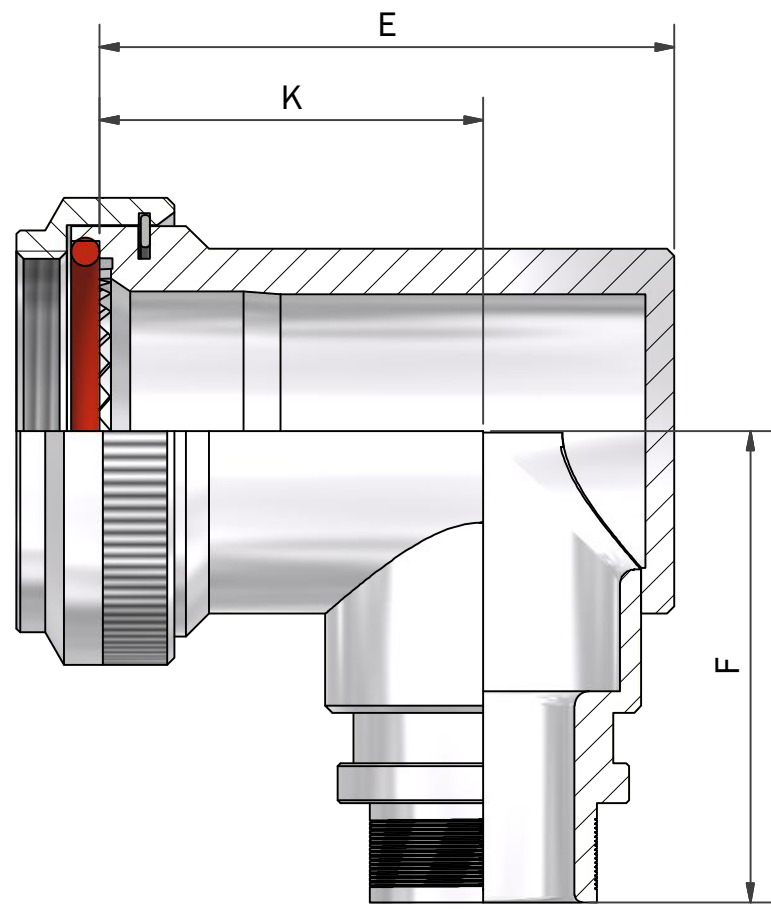
ANGLE 1



ANGLE 2



ANGLE 3  
LOW PROFILE OPTION



ANGLE 3

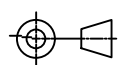
DRAWN		DATE		 3RD ANGLE PROJECTION NOT TO SCALE	PART NUMBER:		60H SERIES	
J.CLARK		14/08/2011			TITLE:		MEMORY METAL RING ADAPTOR	
DESIGN APPROVAL		DATE		UNLESS OTHERWISE SPECIFIED ALL DIMENSIONS IN MILLIMETRES GENERAL TOL LINEAR +/-0,25MM ANGULAR +/- 1°	ASSY USED ON: MIL-DTL-38999 SERIES III & IV		RESTRICTED TO:	
K.SHEPPARD		07/09/2011			THIS DRAWING IS COPYRIGHT AND THE PROPERTY OF POLAMCO LTD IT MUST NOT BE COPIED, USED FOR MANUFACTURE OR OTHERWISE DISCLOSED WITHOUT PRIOR WRITTEN CONSENT OF THE COMPANY.		POLAMCO LTD, WESTON LOCK, LOWER BRISTOL ROAD BATH BA2 1EP	
DOC TYPE	Customer Drawing			MATERIAL	SEE PART NUMBER BREAKDOWN		SHT	
ISSUE/REV	DCR			FINISH	SEE PART NUMBER BREAKDOWN		1	
AA		---			NCAGE CODE U5792		WEIGHT 32.25 g	
DRAWING NO:		P10745		DRAWING NO:		P10745		



TABLE 1

SHELL SIZE	A THREAD	ØB MAX	ØT MIN	C MAX	D MAX	E MAX	F MAX	K ±0,5	J MAX	F' MAX	MAX ENTRY FOR LOW PROFILE OPTION
09	M12 x 1.0	18,0	6,7	13,1	26,8	25,7	26,4	17,5	18,0	27,4	04
11	M15 x 1.0	21,0	10,2	13,9	27,6	26,7	28,2	17,5	22,0	29,2	05
13	M18 x 1.0	24,5	13,5	14,5	28,0	31,2	29,7	20,0	22,0	30,7	06
15	M22 x 1.0	29,0	16,2	15,5	29,0	37,2	31,2	24,5	25,0	32,2	07
17	M25 x 1.0	32,5	19,4	16,1	29,8	40,2	32,9	26,7	27,0	33,9	08
19	M28 x 1.0	35,5	21,8	16,8	30,6	44,7	34,5	27,0	28,0	35,7	10
21	M31 x 1.0	37,0	25,1	17,1	30,9	49,2	36,1	30,5	29,0	37,1	10
23	M34 x 1.0	40,0	28,2	17,7	31,2	51,7	37,6	31,5	31,7	38,6	10
25	M37 x 1.0	43,5	31,4	18,4	32,1	53,2	39,1	28,5	31,7	40,1	10

TABLE 2

ENTRY SIZE	ØG MIN	ØH MAX	ØM MAX
04	6,3	14,3	9,5
05	7,9	15,8	11,1
06	9,5	17,4	12,7
07	11,1	19,0	14,3
08	12,7	20,6	15,9
10	15,8	23,8	19,0
12	19,0	27,0	22,2
14	22,2	30,1	25,4
16	25,4	33,3	28,6
18	28,5	36,5	31,8
20	31,7	39,7	34,9
22	34,9	42,8	38,1
24	38,1	46,0	41,3

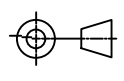


TABLE 3

CODE	FINISH
C	ELECTROLESS NICKEL
B	CADMIUM OLIVE DRAB OVER ELECTROLESS NICKEL
ZB	ZINC COBALT OLIVE DRAB OVER ELECTROLESS NICKEL
ZN	ZINC NICKEL BLACK PASSIVATE OVER ELECTROLESS NICKEL

SEE SS0076 FOR FULL RANGE OF FINISH OPTIONS

60H1-17-08-1-C-A

SERIES \_\_\_\_\_  
CONNECTOR INTERFACE \_\_\_\_\_  
ANGLE \_\_\_\_\_  
SHELL SIZE (TABLE 1) \_\_\_\_\_  
ENTRY SIZE (TABLE 2) \_\_\_\_\_  
MATERIAL \_\_\_\_\_  
ALUMINIUM ALLOY  
FINISH (TABLE 3) \_\_\_\_\_  
LOW PROFILE OPTION (90° ONLY)  
OMIT IF STANDARD REQUIRED  
RING OPTION \_\_\_\_\_  
A - RING TO SUIT SINGLE BRAID  
B - RING TO SUIT DOUBLE BRAID  
OMIT IF NO RING REQUIRED

DRAWN		DATE		 3RD ANGLE PROJECTION NOT TO SCALE	PART NUMBER:			60H SERIES			 Polamco
J.CLARK		14/08/2011			TITLE:			MEMORY METAL RING ADAPTOR			
DESIGN APPROVAL		DATE		<small>UNLESS OTHERWISE SPECIFIED ALL DIMENSIONS IN MILLIMETRES  GENERAL TOL  LINEAR +/-0,25MM  ANGULAR +/- 1°</small>	ASSY USED ON: MIL-DTL-38999 SERIES III & IV			RESTRICTED TO:			 TE connectivity
K.SHEPPARD		07/09/2011			THIS DRAWING IS COPYRIGHT AND THE PROPERTY OF POLAMCO LTD IT MUST NOT BE COPIED, USED FOR MANUFACTURE OR OTHERWISE DISCLOSED WITHOUT PRIOR WRITTEN CONSENT OF THE COMPANY.			POLAMCO LTD, WESTON LOCK, LOWER BRISTOL ROAD BATH BA2 1EP			
DOC TYPE	Customer Drawing				MATERIAL SEE PART NUMBER BREAKDOWN			SHT			
ISSUE/REV AA		DCR ---		FINISH SEE PART NUMBER BREAKDOWN			2			DRAWING NO: P10745	
NCAGE CODE U5792		WEIGHT									