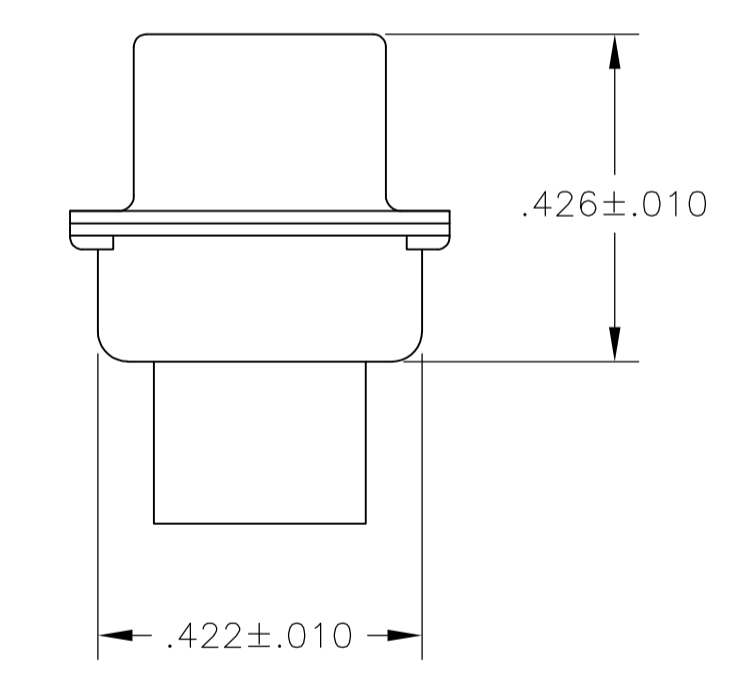
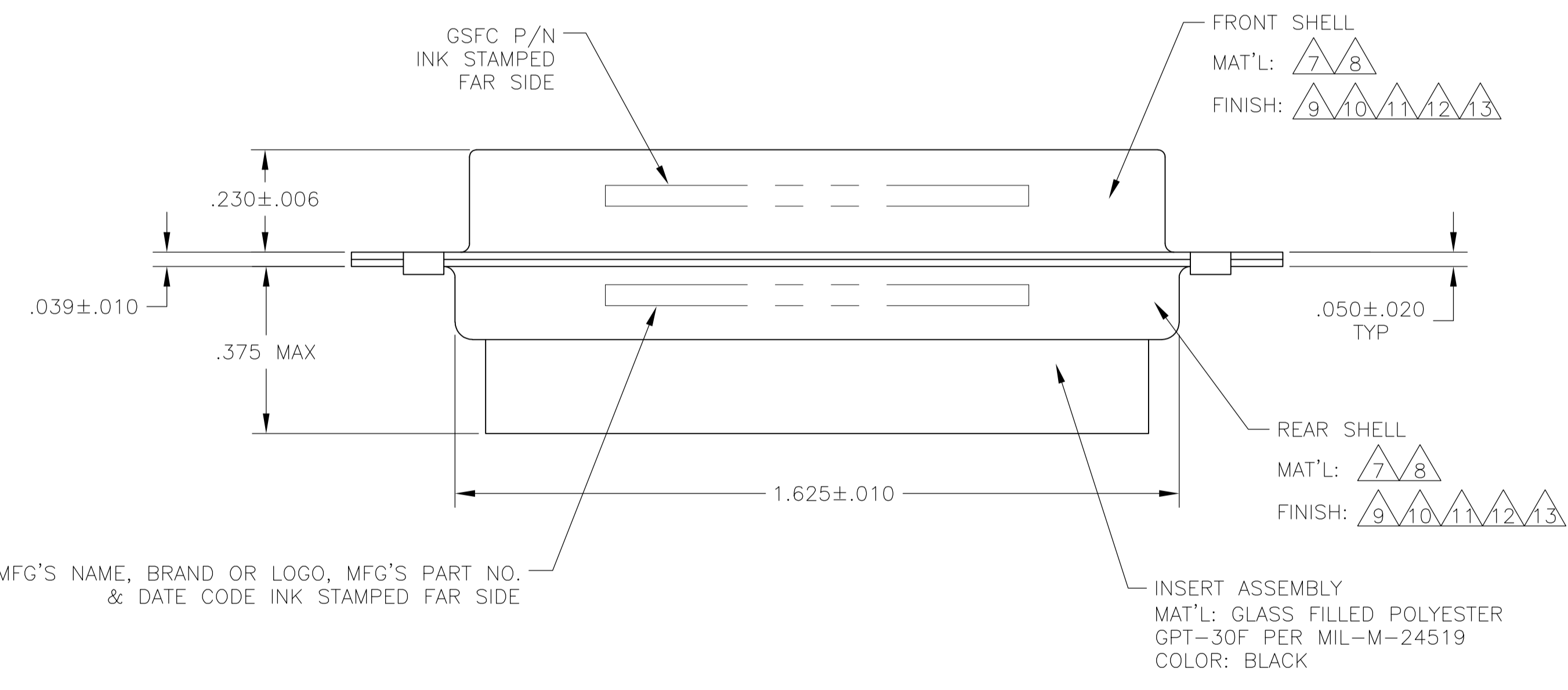
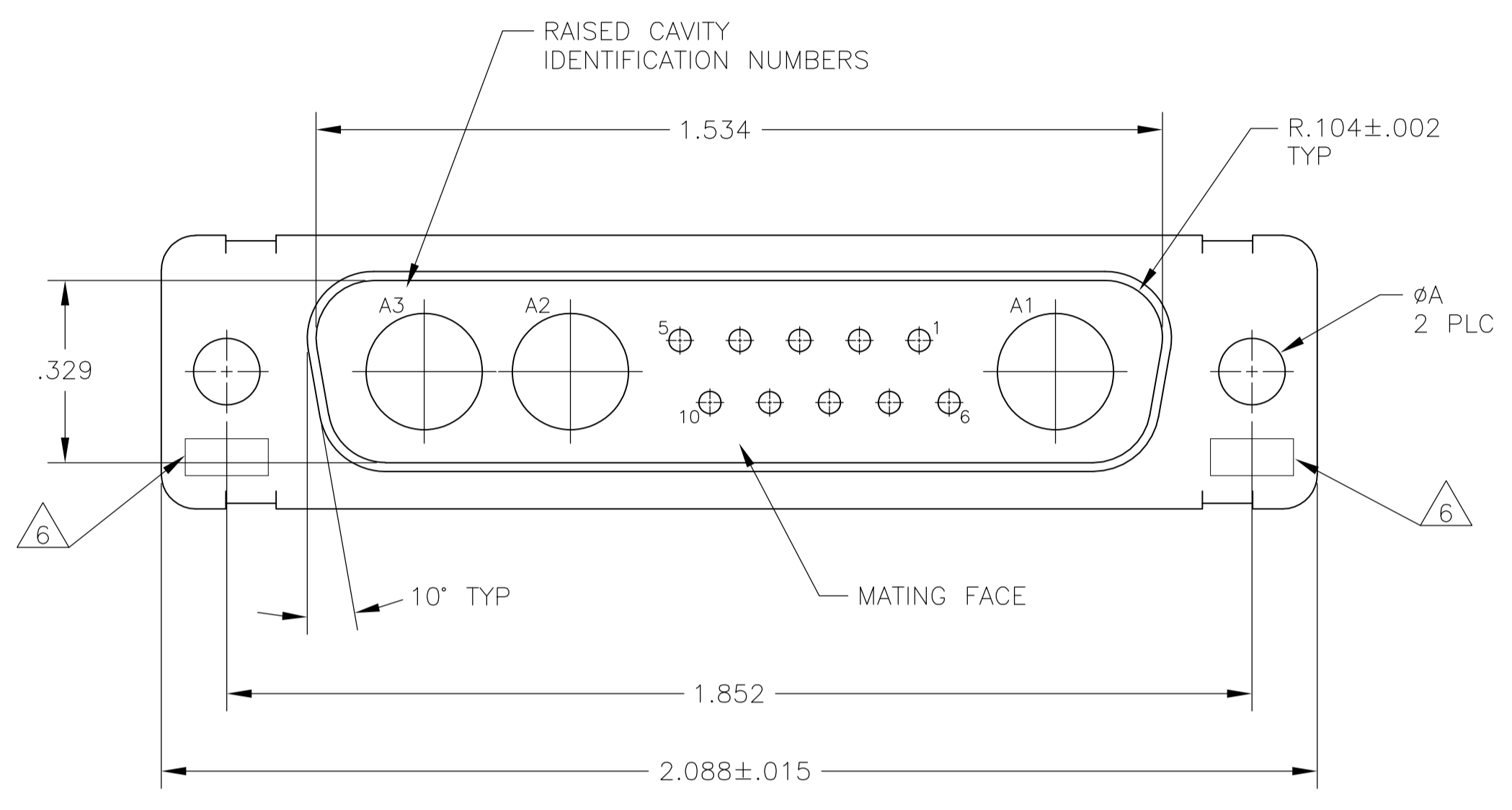


LOC	DIST	REVISIONS				
DF	DO	REV	DESCRIPTION	DATE	DWN	APVD
P		1	REVISED PER ECO-09-012539	03-04-09	CT	RL

- THIS PLUG WILL MATE WITH ANY 13C3, SIZE 3 RECEPTACLE IN AMPLIMITE SERIES.
- MAXIMUM WIRE INSULATION TO BE USED WITH THIS PLUG IS  $\phi.068$ .
- THIS CONNECTOR ACCEPTS (3) POWER 8, OR COAX PIN CONTACTS IN POSITIONS A1 THRU A3, PURCHASED SEPARATELY.
- THIS CONNECTOR ACCEPTS SIZE 20 PIN SIGNAL CONTACTS IN POSITIONS 1 THRU 10, PURCHASED SEPARATELY.
- GROUNDING INDENTS FOR 208810-2 & 5-208810-2 ONLY (NOT SHOWN ON DRAWING).
- UL/CSA DESIGNATION STAMPED IN THIS AREA, OPTIONAL.
- STEEL PER ASTM-A-109.
- BRASS PER MIL-C-50 AND ASTM-B-36 UNS NO. C26000.
- FINISH: TIN PER ASTM-B-545 .000200 MIN THK OVER COPPER PER AMS2418 .000100-.000200 THK.
- CADMIUM PLATED PER QQ-P-416.
- FINISH: GOLD PLATED PER MIL-G-45204 TYPE II, GRADE C, CLASS 1 OVER COPPER PER MIL-C-14550, CLASS IV.
- FINISH: TIN PER ASTM-B-545 .000200 MIN THK OVER COPPER PER AMS2418 .000100-.000200 THK.
- FINISH: ZINC PLATE PER ASTM-B-633, .000200-.000400 THK WITH SUPPLEMENTARY CHROMATE (Cr3+)



REMARKS	ØA	GSFC P/N	MFG'S PART NO.
5, 7, 12	.120	-	5-208810-2
7, 13	.120	-	5-208810-1
8, 11	.154	311P405-12P-B-15	208810-4
8, 11	.120	311P405-12P-B-12	208810-3
5, 7, 9	.120	-	208810-2
7, 10	.120	-	208810-1

THIS DRAWING IS A CONTROLLED DOCUMENT.

DIMENSIONS: INCHES	TOLERANCES UNLESS OTHERWISE SPECIFIED:	DIN C.C.THOMAS 04FEB88	APVD A.FMADI 09FEB88	NAME Tyco Electronics	Tyco Electronics Corporation Harrisburg, Pa 17105-3608
0 PLC ± -	1 PLC ± -	2 PLC ± -	3 PLC ± .005(0.13)	4 PLC ± -	ANGLES ± 0°30'
MATERIAL	FINISH	SIZE A1	WEIGHT	CAGE CODE 00779	DRAWING NO. 208810
CUSTOMER DRAWING		SCALE 4:1	SHEET 1 of 1	REV P	RESTRICTED TO