

PLEASE CHECK WWW.MOLEX.COM FOR LATEST PART INFORMATION

Part Number: [0554470370](#)
Status: **Active**
Description: 1.25mm Pitch Mi II™ System Wire-to-Board Header, Single Row, Vertical, with Positive Lock, 3 Circuits

Documents:

[3D Model](#) [Product Specification PS-54596-021-001 \(PDF\)](#)
[Drawing \(PDF\)](#) [RoHS Certificate of Compliance \(PDF\)](#)
[Product Specification PS-54596-018-001 \(PDF\)](#)

General

Product Family	PCB Headers
Series	55447
Application	Signal, Wire-to-Board
Product Name	Mini Mi II™
UPC	756054760369

Physical

Breakaway	No
Circuits (Loaded)	3
Circuits (maximum)	3
Color - Resin	Natural
Durability (mating cycles max)	30
First Mate / Last Break	No
Glow-Wire Compliant	No
Guide to Mating Part	No
Keying to Mating Part	None
Lock to Mating Part	Yes
Material - Plating Mating	Tin
Material - Plating Termination	Tin
Material - Resin	Nylon
Net Weight	309.400/mg
Number of Rows	1
Orientation	Vertical
PC Tail Length	3.00mm
PCB Locator	Yes
PCB Retention	Yes
PCB Thickness - Recommended	1.60mm
Packaging Type	Tray
Pitch - Mating Interface	1.25mm
Polarized to Mating Part	Yes
Shrouded	Fully
Stackable	No
Surface Mount Compatible (SMC)	No
Temperature Range - Operating	-40°C to +105°C
Termination Interface: Style	Through Hole

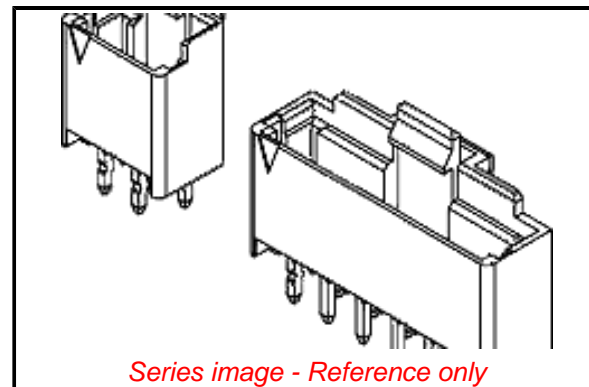
Electrical

Current - Maximum per Contact	1.5A
Voltage - Maximum	100V

Material Info

Reference - Drawing Numbers

Product Specification	PS-54596-018-001, PS-54596-021-001
Sales Drawing	SD-55447-010



Series image - Reference only

EU ELV

Not Relevant

EU RoHS

Compliant

REACH SVHC

Not Contained Per
-ED/01/2017 (12
January 2017)

Halogen-Free

Status

Not Low-Halogen

Need more information on product environmental compliance?

Email productcompliance@molex.com
Please visit the [Contact Us](#) section for any non-product compliance questions.

China ROHS	Green Image
ELV	Not Relevant
RoHS Phthalates	Not Contained

Search Parts in this Series

[55447](#) Series

Mates With

[51336](#) PBT Polyester, Glass-filled Housing,
[54596](#) PA Polyamide Housing

This document was generated on 08/03/2017

PLEASE CHECK WWW.MOLEX.COM FOR LATEST PART INFORMATION