

DASH NO.

M CODE

MADE FROM

# GSD

# KA-81-04

### REVISIONS

ISSUE

CHANGES

4

CN 27186 E  
CT 06/05/85

5

CN 38315 C  
BDH 05/17/01

KAM6768

SCALE 4:1

APPROX SURFACE AREA

USED ON

REF:

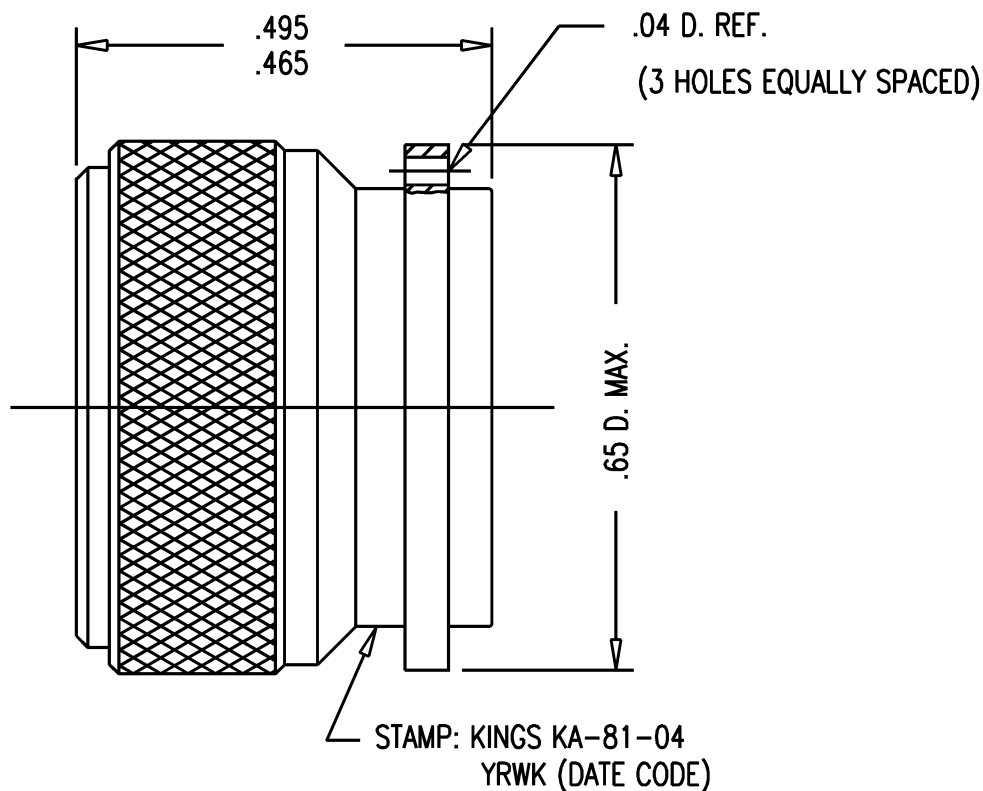
## CAP, TNC

DRAWN	KH	<del>09/09/96</del>
DESIGN	MJB	<del>09/10/96</del>
APPR.		DATE

## KINGS

ELECTRONICS CO., INC.  
ROCK HILL, SOUTH CAROLINA 29730

# KA-81-04



### NOTES:

- MATERIAL:  
GASKET-SILICONE RUBBER, ZZ-R-765  
ALL OTHER METAL PARTS-BRASS, ASTM-B16
- FINISHES:  
ALL METAL PARTS- SILVER PLATE PER QQ-S-365

# GSD